



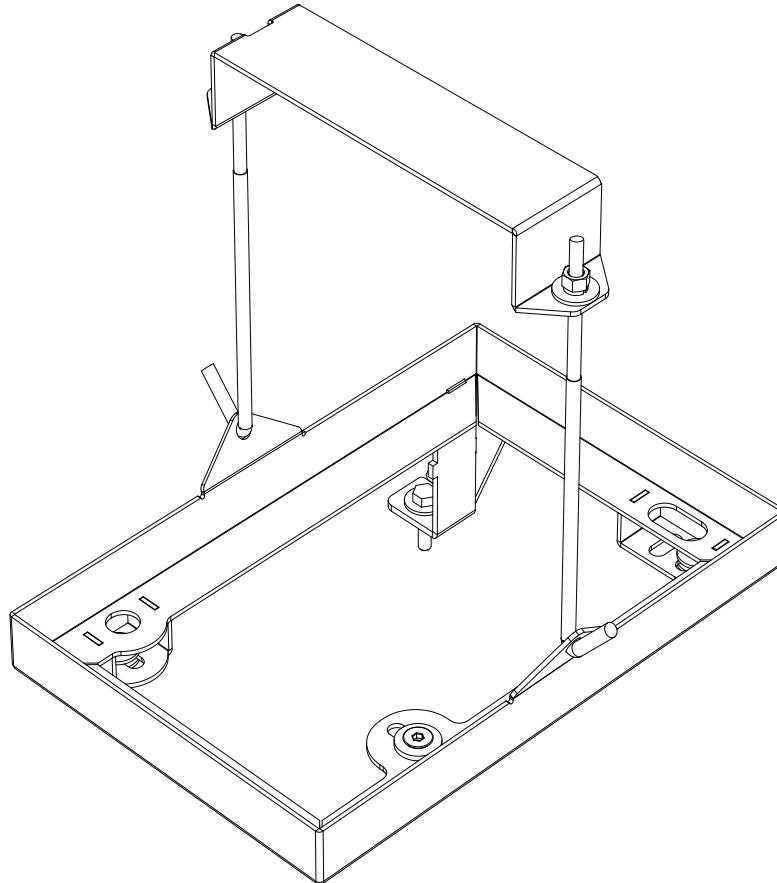
FRONT RUNNER
VEHICLE OUTFITTERS

75A BATTERY BRACKET

TOYOTA HILUX & FORTUNER 2016-CURRENT BATTERY BRKT

ENG

BBTH004



READ ME FIRST! ⚠

Thank you for purchasing a Front Runner 75A Battery Bracket.

Before you start, take a moment to familiarize yourself with this Fitting Instruction and the components received.

Refer to Page 2 for a list of all the components, quantities and tools required.

IMPORTANT WARNING! ⚠

IT IS CRITICAL THAT ALL FRONT RUNNER PRODUCTS BE PROPERLY AND SECURELY ASSEMBLED AND ATTACHED TO YOUR VEHICLE. IMPROPER ATTACHMENT COULD RESULT IN AN AUTOMOBILE ACCIDENT, AND COULD CAUSE SERIOUS BODILY INJURY OR DEATH. YOU ARE RESPONSIBLE FOR ASSEMBLING AND SECURING ALL FRONT RUNNER PRODUCTS TO YOUR VEHICLE. CHECKING THE ATTACHMENTS PRIOR TO USE, AND PERIODICALLY INSPECTING THE PRODUCTS FOR ADJUSTMENT, WEAR AND DAMAGE. THEREFORE YOU MUST READ AND UNDERSTAND ALL OF THE INSTRUCTIONS AND PRECAUTIONS SUPPLIED WITH YOUR FRONT RUNNER PRODUCT PRIOR TO INSTALLATION OR USE. IF YOU DO NOT UNDERSTAND ALL OF THE INSTRUCTIONS AND CAUTIONS, OR IF YOU HAVE NO MECHANICAL EXPERIENCE AND ARE NOT THOROUGHLY FAMILIAR WITH THE INSTALLATION PROCEDURES, YOU SHOULD HAVE THE PRODUCT INSTALLED BY A PROFESSIONAL INSTALLER OR OTHER QUALIFIED PERSONNEL.

1

GET ORGANIZED

Here is what you are looking at for BBTH004

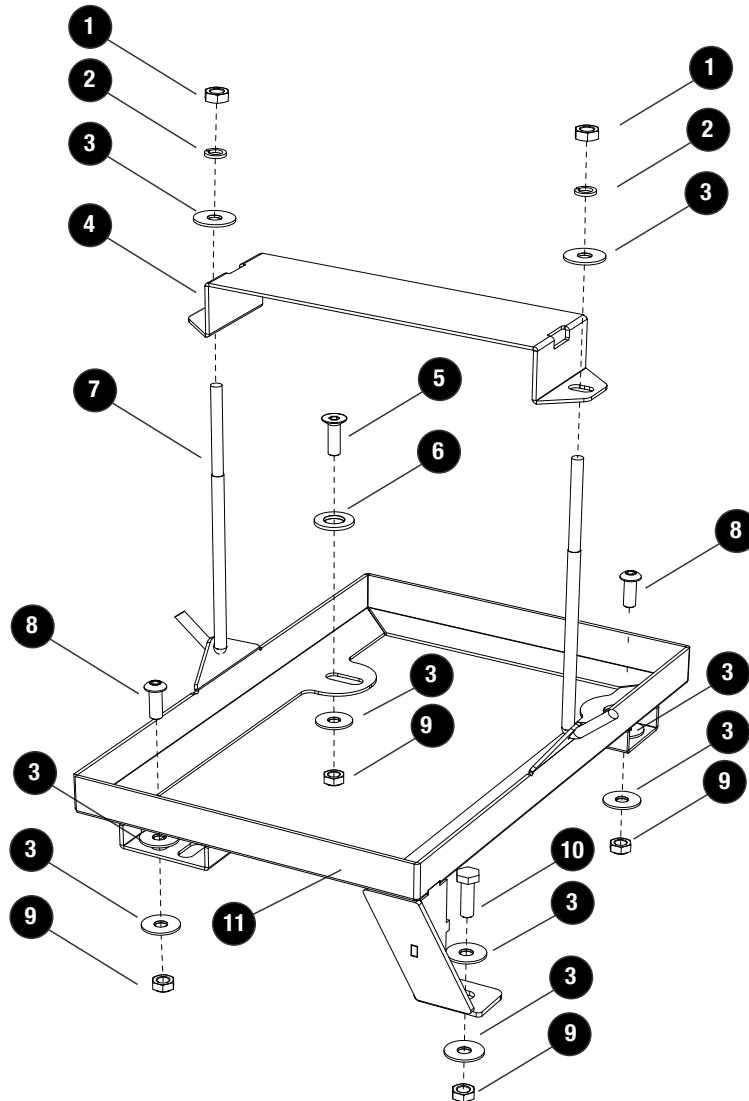
IN THE BOX

1	2 X	M6 Hex Nut
2	2 X	M6 Spring Washer
3	9 X	M6x19x1ss Flat Washer
4	1 X	Top Battery Clamp
5	1 X	M6x30 Socket Head Countersink
6	1 X	M10 Flat Washer
7	2 X	M6 Hook Bolt
8	2 X	M6x20 Button Head
9	4 X	M6 Nyloc Nut
10	1 X	M6x25 Hex Bolt
11	1 X	Battery Bracket Bottom Frame

TOOLS NEEDED

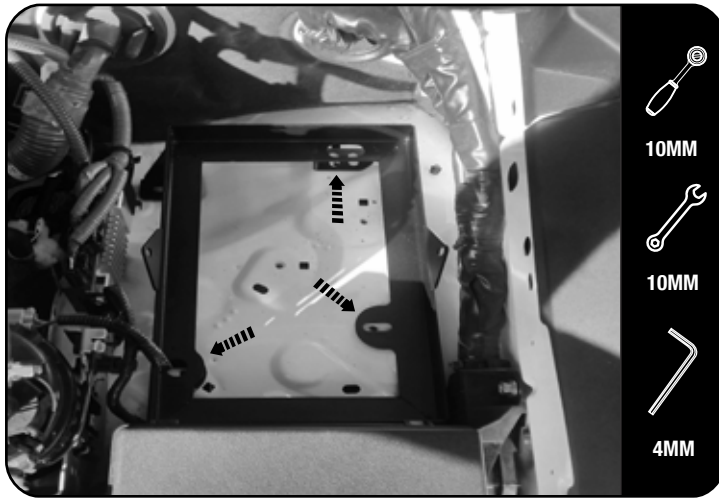


FIGURE 1.1



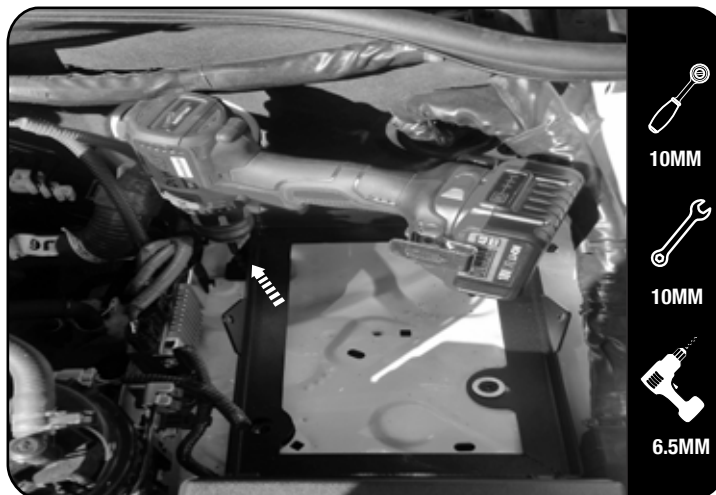
2 FIT AND SECURE

2.1



Place the battery bracket bottom frame in the engine bay as shown. Align the 3 holes with the welded nuts in the vehicles body and secure. Refer to 1.1

2.2



Drill a 6.5mm hole in the vehicle body as shown using the rear corner hole of the bracket as a guide. Secure with fasteners shown in 1.1.

2.3



Place the battery in the bottom frame. Place the top clamp over the battery and secure with the fasteners shown in 1.1

3

COMPLETION

3.1



Congratulations. You did it. Take a step back and admire your work!

4

INSTALL OTHER VEHICLE AND RACK ACCESSORIES

Now's the time to visit your favorite Front Runner Dealer in person or online.