

START HERE!

READ ME FIRST

Don't be a hero and muscle through this installation without reading these fitting instructions first! Improper installation of this gear may void certain aspects of your warranty.

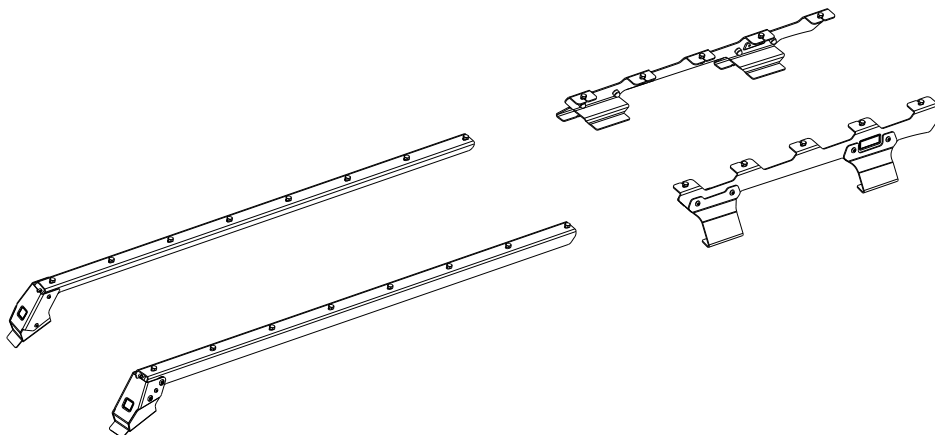
Before you begin, take a moment and open all your Front Runner rack kit boxes and gather the assembly instructions for the various components.

A complete kit will contain:

1. A Front Runner Mounting System specific to your vehicle
2. A Front Runner Rack Tray or Load Bar Slats

This document will guide you through the assembly of the mounting system and assist you in fitting the roof rack tray or load bars to your specific vehicle.

Please refer to the next page for a list of all the components, quantities and tools required.



IMPORTANT WARNING!

IT IS CRITICAL THAT ALL FRONT RUNNER PRODUCTS BE PROPERLY AND SECURELY ASSEMBLED AND ATTACHED TO YOUR VEHICLE. IMPROPER ATTACHMENT COULD RESULT IN AN AUTOMOBILE ACCIDENT, AND COULD CAUSE SERIOUS BODILY INJURY OR DEATH. YOU ARE RESPONSIBLE FOR ASSEMBLING AND SECURING ALL FRONT RUNNER PRODUCTS TO YOUR VEHICLE, CHECKING THE ATTACHMENTS PRIOR TO USE, AND PERIODICALLY INSPECTING THE PRODUCTS FOR ADJUSTMENT, WEAR AND DAMAGE. THEREFORE, YOU MUST READ AND UNDERSTAND ALL OF THE INSTRUCTIONS AND PRECAUTIONS SUPPLIED WITH YOUR FRONT RUNNER PRODUCT PRIOR TO INSTALLATION OR USE. IF YOU DO NOT UNDERSTAND ALL OF THE INSTRUCTIONS AND CAUTIONS, OR IF YOU HAVE NO MECHANICAL EXPERIENCE AND ARE NOT THOROUGHLY FAMILIAR WITH THE INSTALLATION PROCEDURES, YOU SHOULD HAVE THE PRODUCT INSTALLED BY A PROFESSIONAL INSTALLER OR OTHER QUALIFIED PERSONNEL.

NOTE: Front Runner will not be responsible for any damage caused by the failure to install the product according to these instructions.

Please call us if you have any questions about the installation of this product.

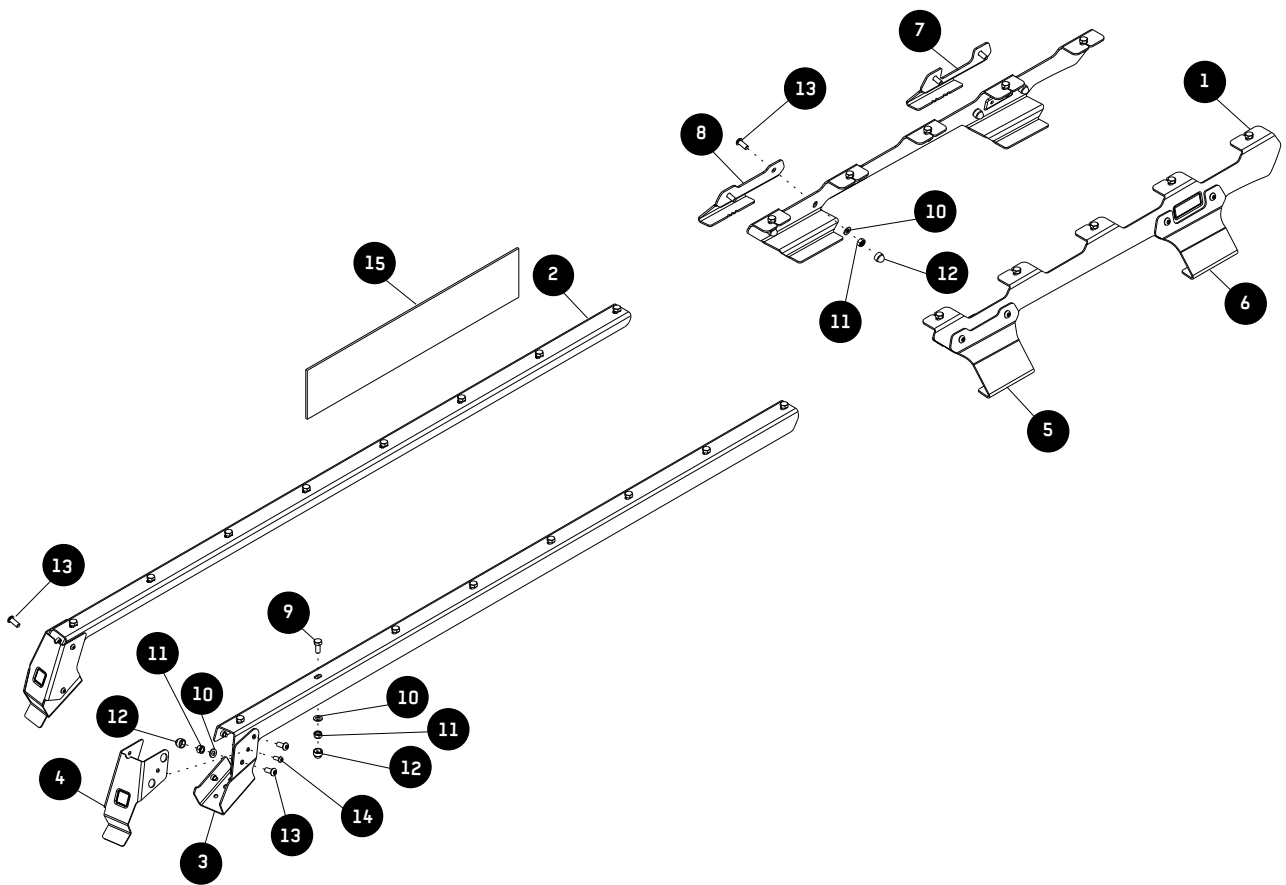
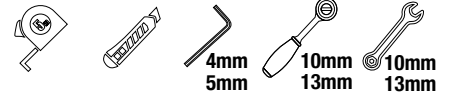


1 GET ORGANIZED

IN THE BOX

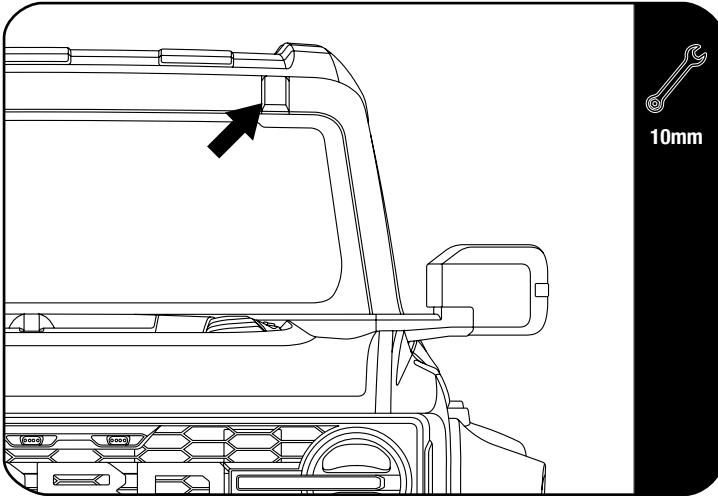
1	2 X	Rear Foot Rail 1LH + 1RH
2	2 X	Front Foot Rail 1LH + 1RH
3	2 X	Windscreen Mount Bracket 1LH + 1RH
4	1 X	LH Front Cover
5	1 X	LH Middle outer clamp
6	1 X	LH Rear outer clamp
7	1 X	RH Rear outer clamp
8	1 X	RH Middle outer clamp
9	26 X	M8x 20 Hex Head Bolt
10	38 X	M8 x 16 x 1.6 Flat Washer
11	38 X	M8 Nyloc Nut
12	38 X	M8 Nut Cap
13	12 X	M8 x 20 Button Head Bolt
14	6 X	M6 x 16 Button Head Bolt
15	1 X	Rubber adhesive strip for mounting feet 550mm x 110mm x 4mm

TOOLS NEEDED



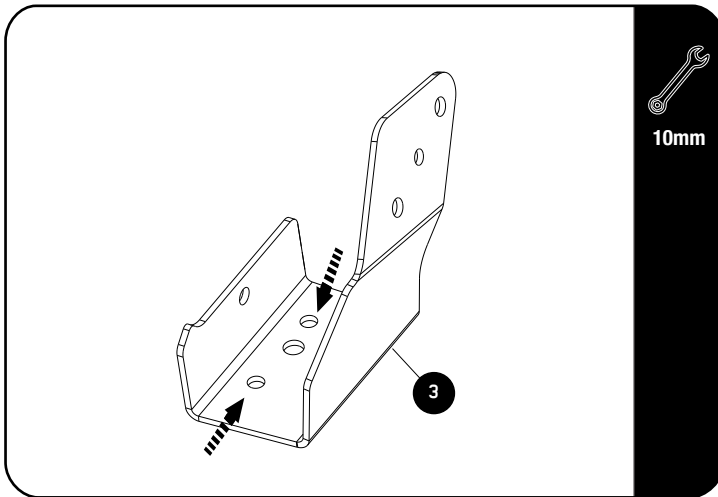
2**FIT AND SECURE**

2.1



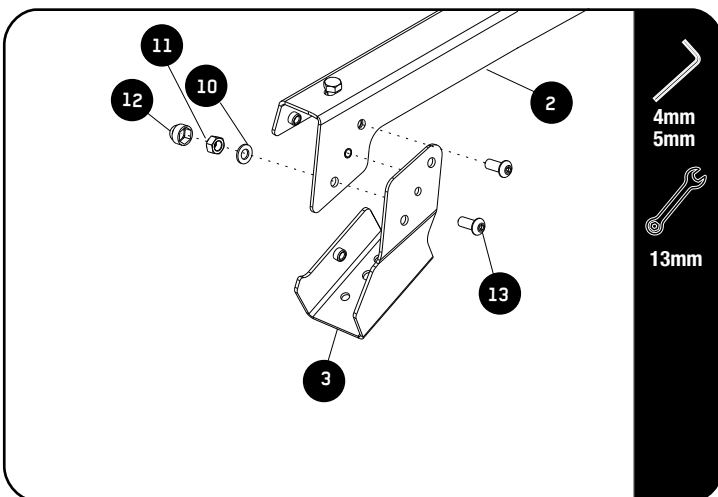
Remove the 2 front accessory point covers. Undo the 2 M6 nuts per side and remove the plastic clips. Store them in a safe place.

2.2



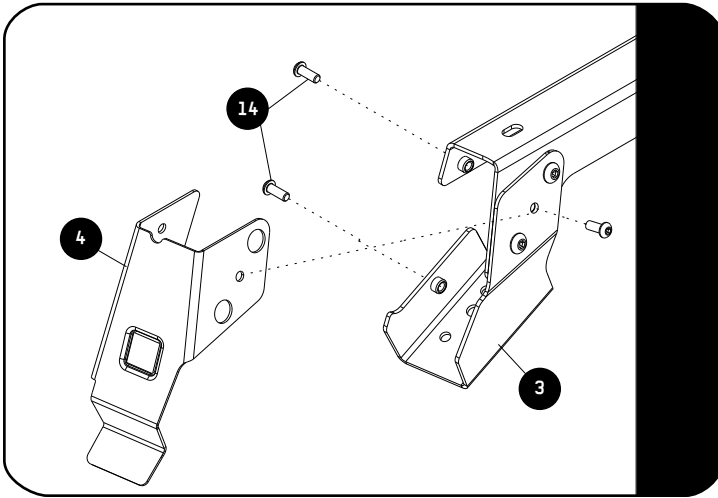
Secure the LH windscreen plate (Item 3) to the LH accessory point using the 2 factory nuts you removed in 2.1.

2.3



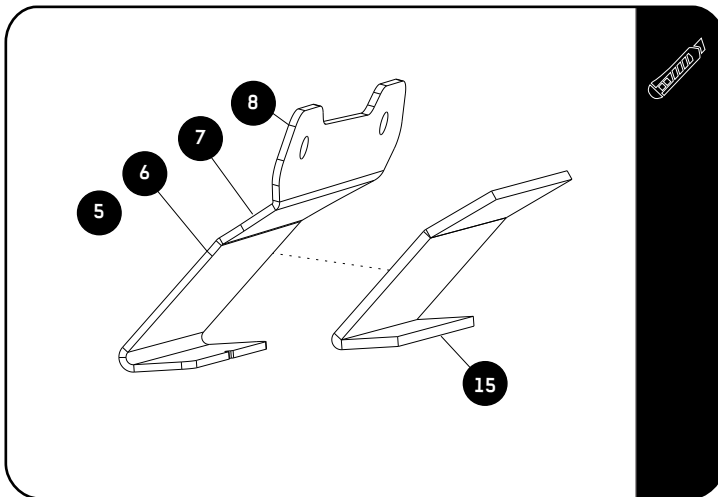
Assemble the LH front foot rails (Item 2) inside the LH windscreen mount (Item 3) as shown using M8 x 20 Button Head Bolts, M8 x 16 x 1.6 Flat Washers, M8 Nyloc Nuts (Item 10, 11, 12 & 13). Fully tighten all the bolts.

2.4



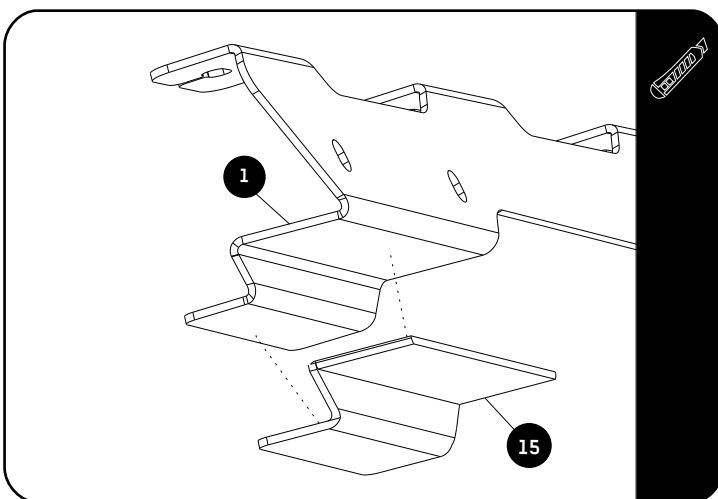
Assemble the LH Front Cover over the LH windscreen mount (Item 3 & 4) using the M6 x 16 Button Head Bolt (Item 13) as shown. Fully tighten all the bolts.

2.5



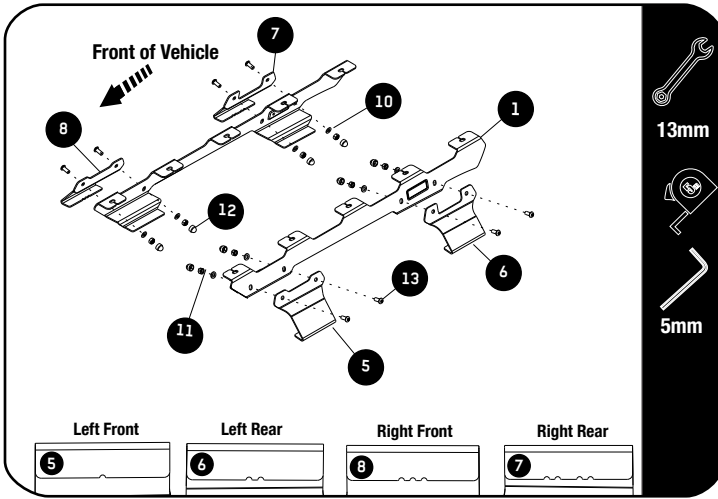
Trim the supplied Foam pad (Item 15) to suit the clamp profile and adhere to the inside of the 4 mounting clamps (Item 5, 6, 7 & 8).

2.6



Trim the foam to suit the inside Z portion of the 2 foot rails. This is the portion of the rails that will sit on the factory roof pockets.

2.7



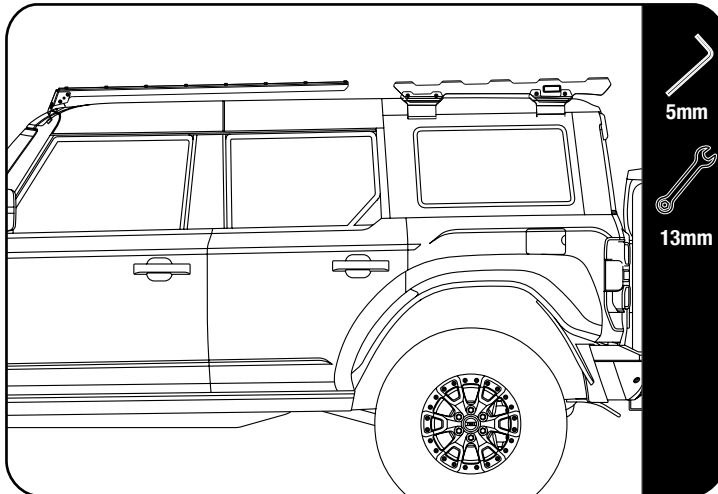
Loosely assemble the outer clamps to both the foot rails using M8x20 Button Head bolts, M8x16 Flat Washer and M8 Nyloc Nuts (Item 10, 11 & 13), Do Not fully tighten. See below for clamp position on the foot rails

Outer clamps have identification notches as shown in table below



(Item 5) - Left Front Bracket
 (Item 6) - Left Rear Bracket
 (Item 7) - Right Rear Bracket
 (Item 8) - Right Front Bracket

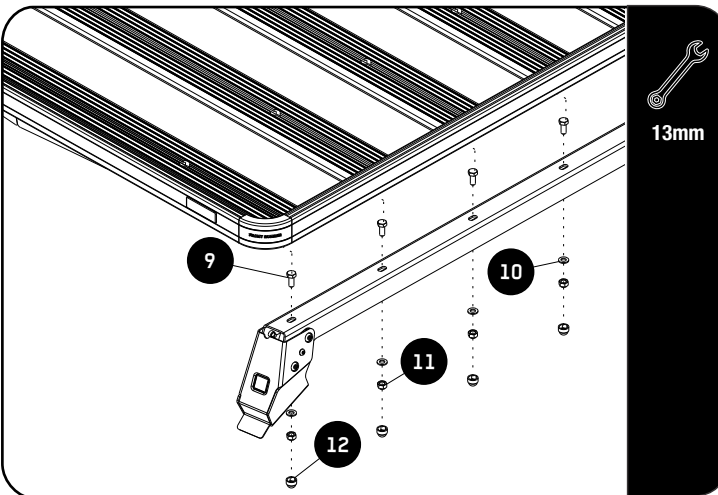
2.8



Place the Assembly from 2.7 on the the roof of your Bronco.

Tighten the clamps a little using a 13mm wrench / socket and 5mm allen key. **DO NOT FULLY TIGHTEN.**

2.8



Assemble your Roof Rack using the fitment guide incl.

Slide 2 M8x20 Bolts (Item 9) into all the slats using the T slot pocket. With the help of a friend place the rack onto the Foot Rails, align all the rack bolts with the Foot Rail bolt openings.

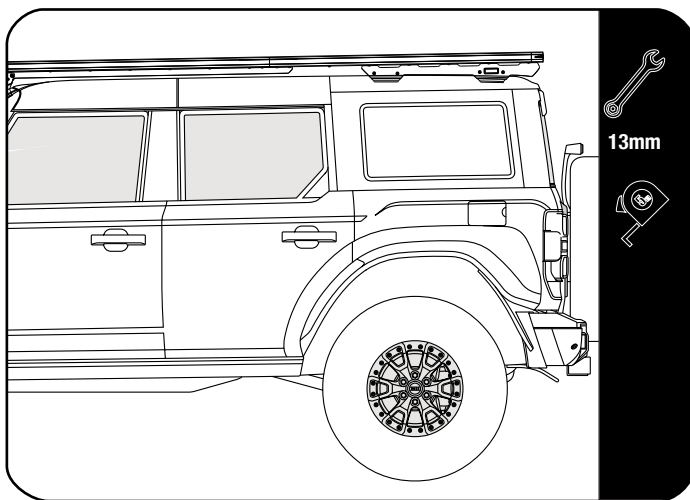
Fit the M8x16x1.6 Flat Washers and M8 Nyloc Nuts (Item 10 & 11) on all the rack bolts.

Center the rack on the car Left to Right. First fully tighten the LH front bolt and RH Rear bolt (This will stop the rack from moving around).

Fully tighten all the remaining bolts.



Tightening Torque:
 M8 : 15-20Nm / 11.06 ft lb - 14.75 ft lb



Use a Panel tool to push the clamp up against the pocket in the roof and fully tighten. Do this with the 3 remaining clamps.

Fully tighten the rear foot rails to the rack.



TIP: Remove the front panels for easy access to the foot rail bolts.

Lastly align the front foot rails so they are parallel with the rear foot rails and fully tighten them.

Place nut caps over all nuts.

3 COMPLETION

3.1 Congratulations! You did it. Take a step back and admire your work!



4 INSTALL OTHER VEHICLE AND RACK ACCESSORIES

Now's the time to visit your favorite Front Runner dealer in person or online.

IMPORTANT!

FRONT RUNNER RACK KITS OFTEN HAVE A HIGHER LOAD RATING THAN THE VEHICLES THEY ARE MOUNTED TO. PLEASE REFER TO YOUR SPECIFIC VEHICLE MANUFACTURER FOR A RECOMMENDED ROOF RATING. FRONT RUNNER CANNOT BE RESPONSIBLE FOR IMPROPER LOADING BEYOND THE VEHICLE MANUFACTURER'S STATED LOAD CAPACITY.

Be sure to tag us. We love to see our gear in action! #FrontRunnerOutfitters #BornToRoam

Share your adventures on: 