

START HERE!

READ ME FIRST

Don't be a hero and muscle through this installation without reading these fitting instructions first! Improper installation of this gear may void certain aspects of your warranty.

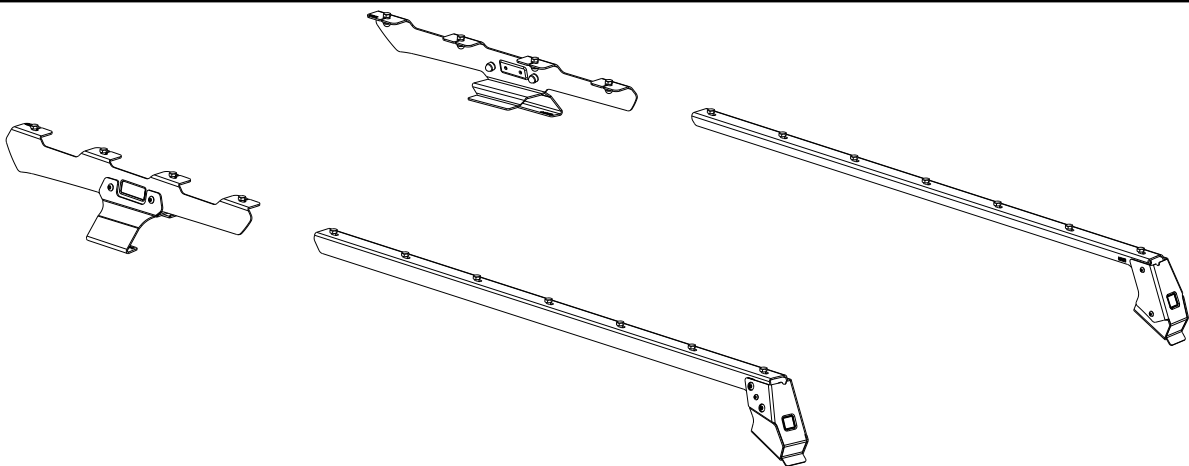
Before you begin, take a moment and open all your Front Runner rack kit boxes and gather the assembly instructions for the various components.

A complete kit will contain:

1. A Front Runner Mounting System specific to your vehicle
2. A Front Runner Rack Tray or Load Bar Slats

This document will guide you through the assembly of the mounting system and assist you in fitting the roof rack tray or load bars to your specific vehicle.

Please refer to the next page for a list of all the components, quantities and tools required.



IMPORTANT WARNING!

IT IS CRITICAL THAT ALL FRONT RUNNER PRODUCTS BE PROPERLY AND SECURELY ASSEMBLED AND ATTACHED TO YOUR VEHICLE. IMPROPER ATTACHMENT COULD RESULT IN AN AUTOMOBILE ACCIDENT, AND COULD CAUSE SERIOUS BODILY INJURY OR DEATH. YOU ARE RESPONSIBLE FOR ASSEMBLING AND SECURING ALL FRONT RUNNER PRODUCTS TO YOUR VEHICLE, CHECKING THE ATTACHMENTS PRIOR TO USE, AND PERIODICALLY INSPECTING THE PRODUCTS FOR ADJUSTMENT, WEAR AND DAMAGE. THEREFORE, YOU MUST READ AND UNDERSTAND ALL OF THE INSTRUCTIONS AND PRECAUTIONS SUPPLIED WITH YOUR FRONT RUNNER PRODUCT PRIOR TO INSTALLATION OR USE. IF YOU DO NOT UNDERSTAND ALL OF THE INSTRUCTIONS AND CAUTIONS, OR IF YOU HAVE NO MECHANICAL EXPERIENCE AND ARE NOT THOROUGHLY FAMILIAR WITH THE INSTALLATION PROCEDURES, YOU SHOULD HAVE THE PRODUCT INSTALLED BY A PROFESSIONAL INSTALLER OR OTHER QUALIFIED PERSONNEL.

NOTE: Front Runner will not be responsible for any damage caused by the failure to install the product according to these instructions.

Please call us if you have any questions about the installation of this product.

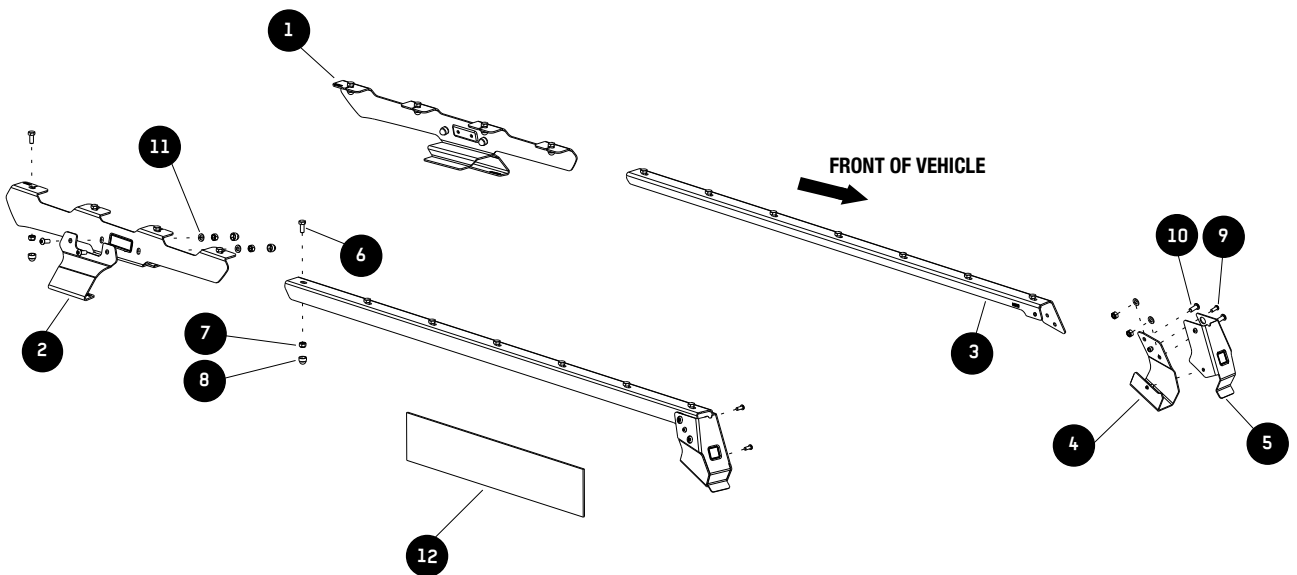
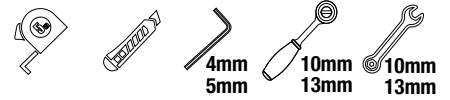


1 GET ORGANIZED

IN THE BOX

1	2 X	Rear Foot Rail 1LH + 1RH
2	2 X	Rear Clamp Bracket 1LH + 1RH
3	2 X	Front Foot Rail 1LH + 1RH
4	2 X	Front Mounting Bracket 1LH + 1RH
5	2 X	Front Cover 1LH + 1RH
6	22 X	M8 x 20 Hex Bolt
7	30 X	M8 Nyloc Nut
8	26 X	M8 Nut Cap
9	6 X	M6 x 16 Button Head Bolt
10	8 X	M8 x 20 Button Head Bolt
11	8 X	M8 x 16 x 1.6 Flat Washer
12	1 X	Foam Rubber (110mm x 4mm)

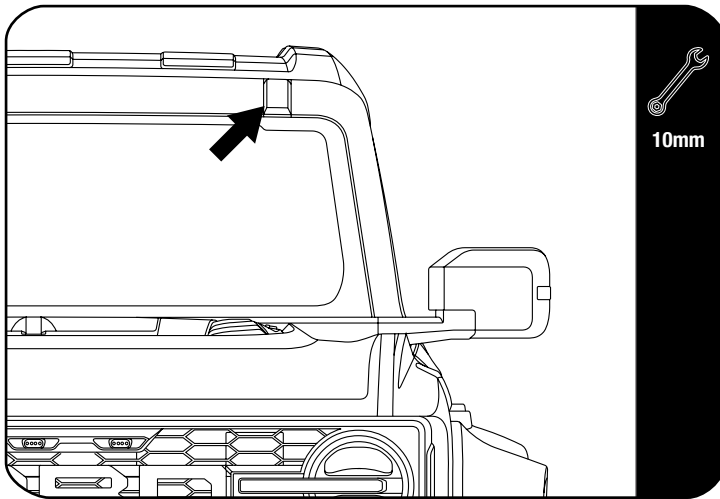
TOOLS NEEDED



2

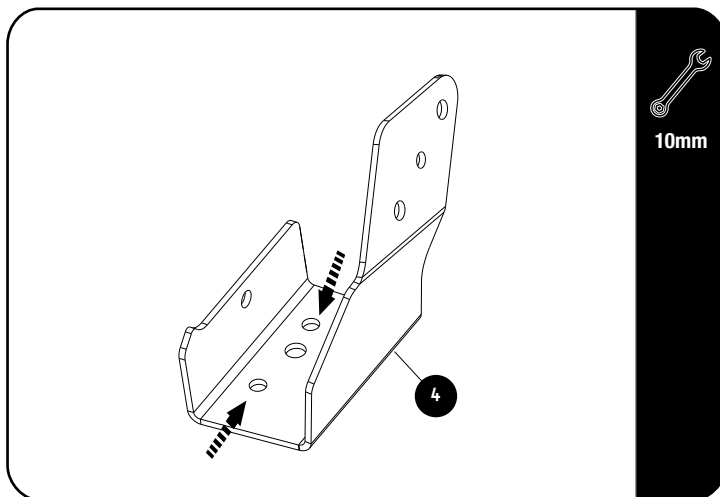
FIT AND SECURE

2.1



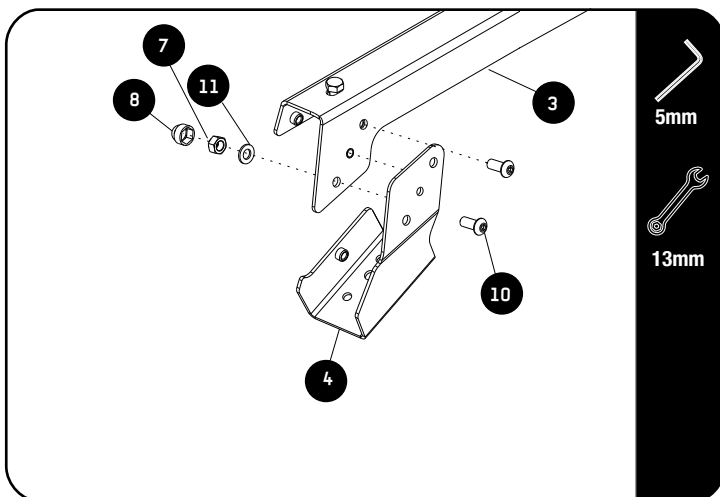
🔄 Remove the two Front Accessory Point Covers. Undo the two OEM M6 Nuts per side and remove the plastic clips. Store them in a safe place.

2.2



🔄 Secure the LH Front Mounting Bracket (Item 4) to the LH accessory point using the two OEM Nuts you removed in 2.1, as shown. Do the same on the RH side of the Vehicle using the RH Front Mounting Bracket.

2.3



🔄 Assemble the LH Front Foot Rails (Item 3) inside the LH Front Mounting Bracket (Item 4) as shown using M8 x 20 Button Head Bolts, M8 x 16 x 1.6 Flat Washers, M8 Nyloc Nuts (Item 10, 11 & 7).

Fully tighten all fasteners and place a M8 Nut Cap (Item 8) over each M8 Nut.

Do the same for the RH assembly.

Note that the two Outer Holes are used in this step, as shown in Fig 2.3.



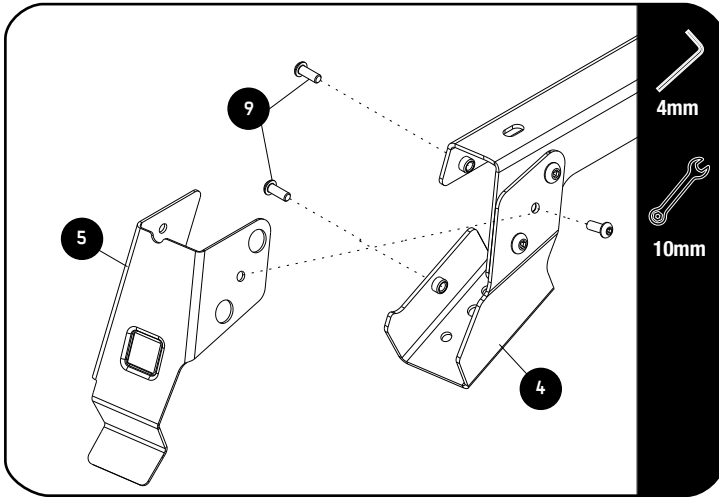
Tightening Torque:

M8 : 15-20Nm / 11.06 ft lb - 14.75 ft lb

2

FIT AND SECURE

2.4



Assemble the LH Front Cover over the LH Front Mounting Bracket (Item 5 & 4) using the M6 x 16 Button Head Bolt (Item 9) as shown.

Fully tighten all fasteners.

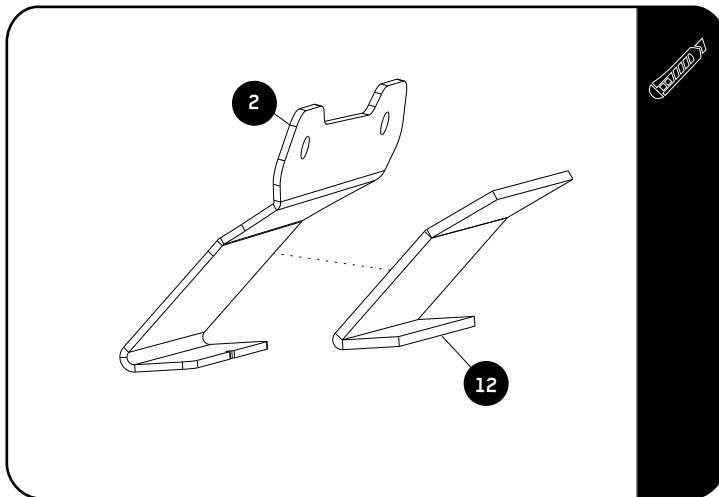
Do the same for the RH assembly.



Tightening Torque:

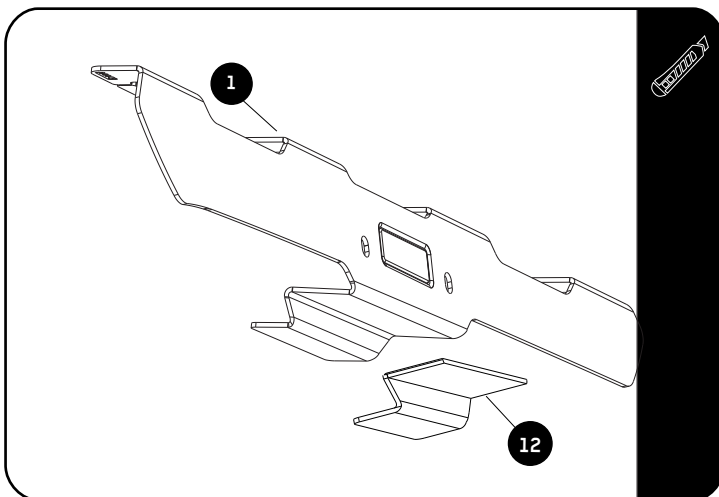
M6 : 8-10Nm / 5.9 ft lb - 7.38 ft lb

2.5



Trim the Foam Rubber (Item 12) to suit the clamp profile and adhere to the inside of the Rear Clamp Bracket (Item 2)

2.6

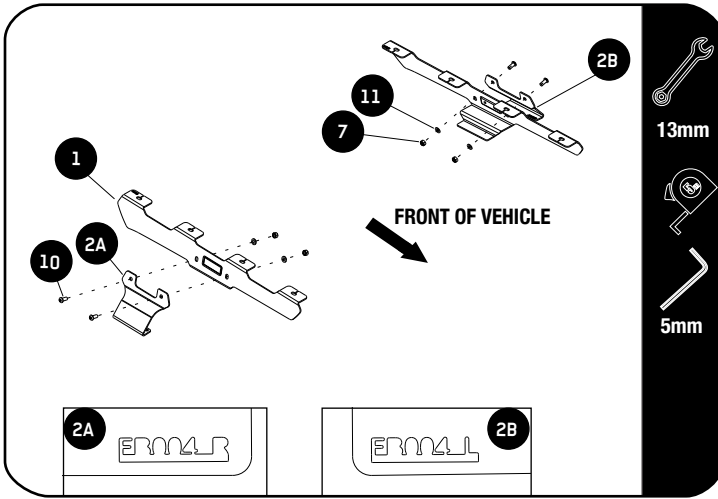


Trim the Foam Rubber to suit the inside Z portion of the two Rear Foot Rails (Item 1). This is the portion of the rails that will be installed on the factory roof pockets.

2

FIT AND SECURE

2.7



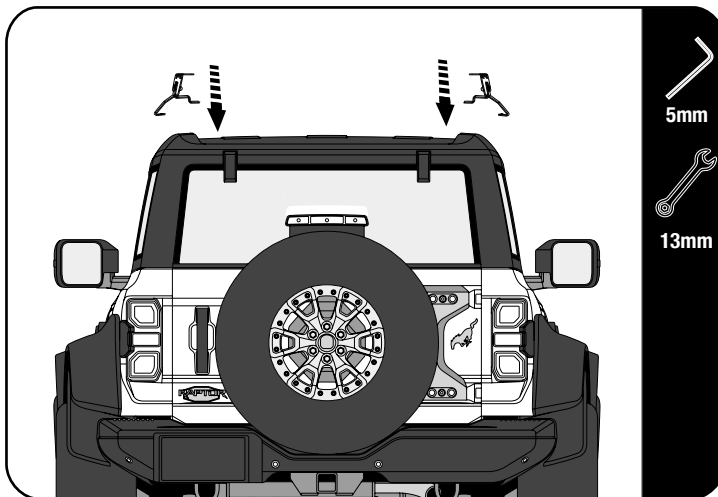
Loosely assemble the Rear Clamp Brackets (Item 2) to both the Rear Foot Rails (Item 1) using M8 x 20 Button Head Bolts, M8 x 16 Flat Washers and M8 Nyloc Nuts (Item 10 , 11 & 7), Do Not fully tighten. See below for clamp position on the foot rails

Rear Clamp Brackets have identification marks as shown in table below



(Item 2A) - Right Clamp Bracket
(Item 2B) - Left Clamp Bracket

2.8



Place the Assembly from 2.7 on the the roof of your Bronco.

Tighten the Rear Clamp Brackets a little using a 13mm wrench/socket and 5mm allen key.

DO NOT FULLY TIGHTEN.

3

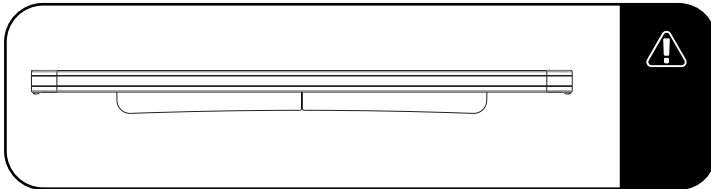
FIT AND SECURE

3.1

Refer to RRSTUNI when assembling your Slimline II Tray.

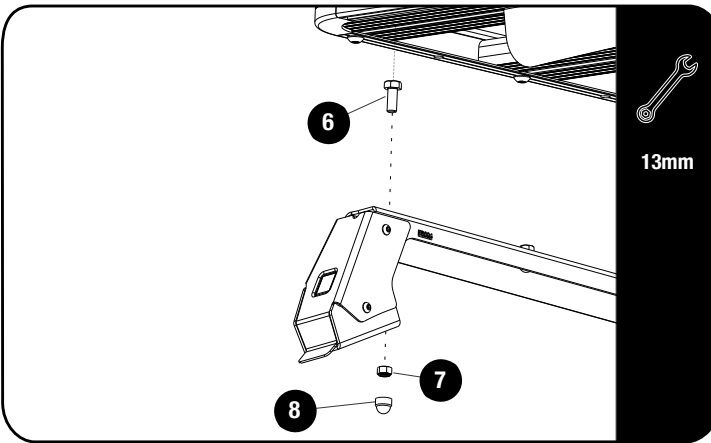


3.2



Make sure that the wind deflector is installed before you proceed to the next step.

3.3



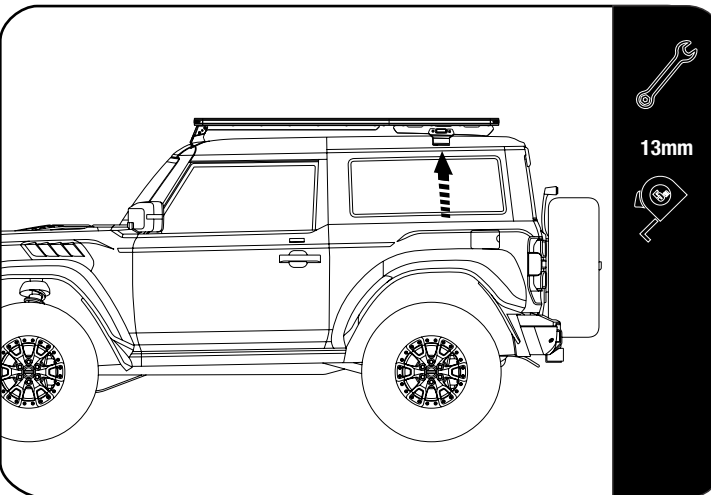
Fit your roof rack to the Front and Rear Foot Rails using M8 x 20 Hex Bolts, M8 x 16 x 1.6 Flat Washers and M8 Nyloc Nuts (Items 6, 7 & 8) as shown.



Tightening Torque:

M8 : 15-20Nm / 11.06 ft lb - 14.75 ft lb

3.4



Use a Panel tool to push the Clamp Bracket up against the pocket in the roof and fully tighten. Do this with the remaining Clamp Bracket.



TIP: Remove the front roof panel for easy access to the foot rail bolts.

Lastly align the Front Foot Rails so they are parallel with the Rear Foot Rails.

Tighten all Fasteners.

Place M8 Nut Caps (Item 8) over all nuts.

5

COMPLETION

5.1

Congratulations! You did it. Take a step back and admire your work!



6

INSTALL OTHER VEHICLE AND RACK ACCESSORIES

Now's the time to visit your favorite Front Runner dealer in person or online.

IMPORTANT!

FRONT RUNNER RACK KITS OFTEN HAVE A HIGHER LOAD RATING THAN THE VEHICLES THEY ARE MOUNTED TO. PLEASE REFER TO YOUR SPECIFIC VEHICLE MANUFACTURER FOR A RECOMMENDED ROOF RATING. FRONT RUNNER CANNOT BE RESPONSIBLE FOR IMPROPER LOADING BEYOND THE VEHICLE MANUFACTURER'S STATED LOAD CAPACITY.

Be sure to tag us. We love to see our gear in action! #FrontRunnerOutfitters #BornToRoam

Share your adventures on: 