

START HERE!

READ ME FIRST

Don't be a hero and muscle through this installation without reading these fitting instructions first! Improper installation of this gear may void certain aspects of your warranty.

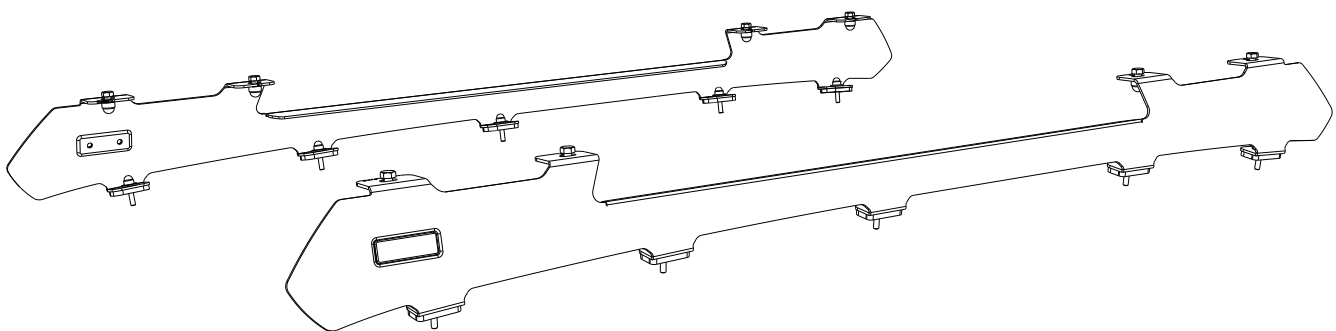
Before you begin, take a moment and open all your Front Runner rack kit boxes and gather the assembly instructions for the various components.

A complete kit will contain:

1. A Front Runner Mounting System specific to your vehicle
2. A Front Runner Rack Tray or Load Bar Slats

This document will guide you through the assembly of the mounting system and assist you in fitting the roof rack tray or load bars to your specific vehicle.

Please refer to the next page for a list of all the components, quantities and tools required.



IMPORTANT WARNING!

IT IS CRITICAL THAT ALL FRONT RUNNER PRODUCTS BE PROPERLY AND SECURELY ASSEMBLED AND ATTACHED TO YOUR VEHICLE. IMPROPER ATTACHMENT COULD RESULT IN AN AUTOMOBILE ACCIDENT, AND COULD CAUSE SERIOUS BODILY INJURY OR DEATH. YOU ARE RESPONSIBLE FOR ASSEMBLING AND SECURING ALL FRONT RUNNER PRODUCTS TO YOUR VEHICLE, CHECKING THE ATTACHMENTS PRIOR TO USE, AND PERIODICALLY INSPECTING THE PRODUCTS FOR ADJUSTMENT, WEAR AND DAMAGE. THEREFORE, YOU MUST READ AND UNDERSTAND ALL OF THE INSTRUCTIONS AND PRECAUTIONS SUPPLIED WITH YOUR FRONT RUNNER PRODUCT PRIOR TO INSTALLATION OR USE. IF YOU DO NOT UNDERSTAND ALL OF THE INSTRUCTIONS AND CAUTIONS, OR IF YOU HAVE NO MECHANICAL EXPERIENCE AND ARE NOT THOROUGHLY FAMILIAR WITH THE INSTALLATION PROCEDURES, YOU SHOULD HAVE THE PRODUCT INSTALLED BY A PROFESSIONAL INSTALLER OR OTHER QUALIFIED PERSONNEL.

NOTE: Front Runner will not be responsible for any damage caused by the failure to install the product according to these instructions.

Please call us if you have any questions about the installation of this product.



1 GET ORGANIZED

IN THE BOX

1	2 X	Foot Rail - 1LH & 1RH
2	8 X	Hex Bolt M8 x 20
3	8 X	Flat Washer M8 x 16 x 1.6
4	8 X	Nyloc Nut M8
5	8 X	Nut Cap M8
6	10 X	Hex Bolt M6 x 30
7	10 X	Flat Washer M6 x 12 x 1
8	10 X	Nut Cap M6
9	10 X	Spacer
10	3 X	Nut Plates / String of 4

TOOLS NEEDED



Marker



3.5mm
6.5mm



Sealant



10mm
13mm



Torque Wrench

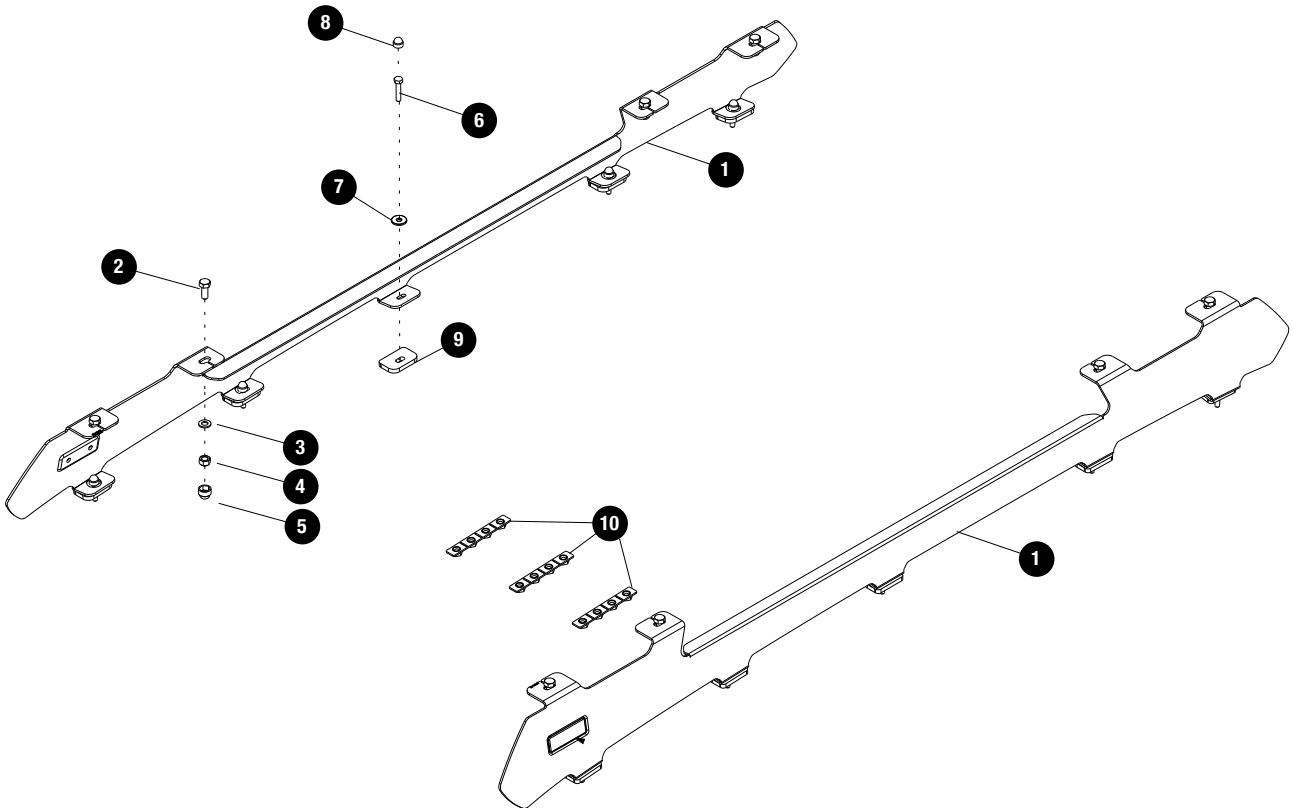


Measuring Tape



Denatured alcohol.

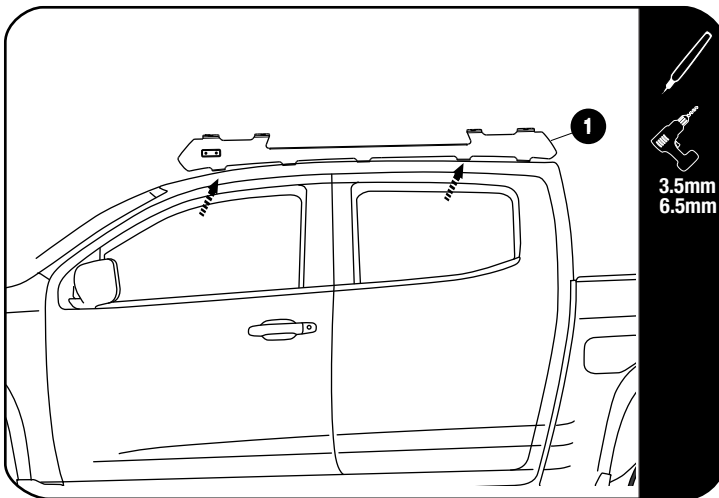
FIGURE 1.1



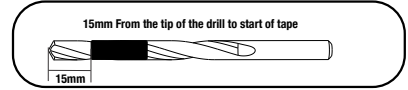


The Installation requires the headliner to be dropped to access and remove the factory roof rails.

2.1

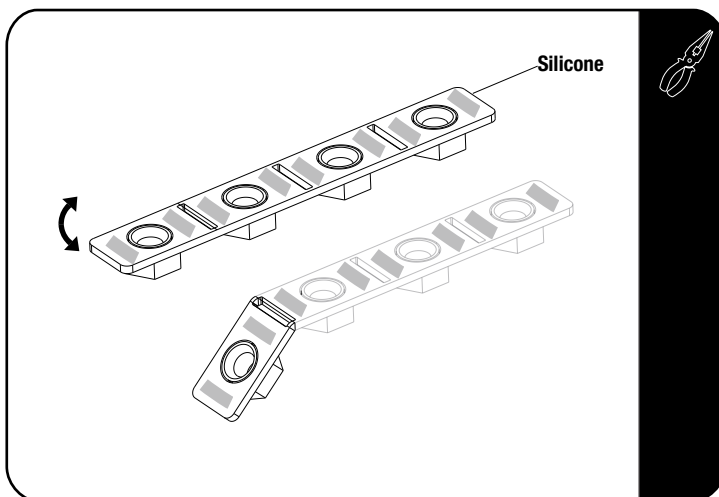


With the Factory ditch trim removed (Keep aside for later use). Place the foot Rail (Item 1) on to the ditch, aligning the rear hole with the factory hole in the ditch. Mark the 1st and 4th hole in the Foot Rail on the ditch.
Remove the Foot Rail and drill a 3.5mm pilot hole at the markings made earlier. Open the holes to a 6.5mm hole. Do this on both sides of the roof.



TIP:
Use a drill stop or tape to mark a depth of 15mm. Some models may have an airbag curtain below.

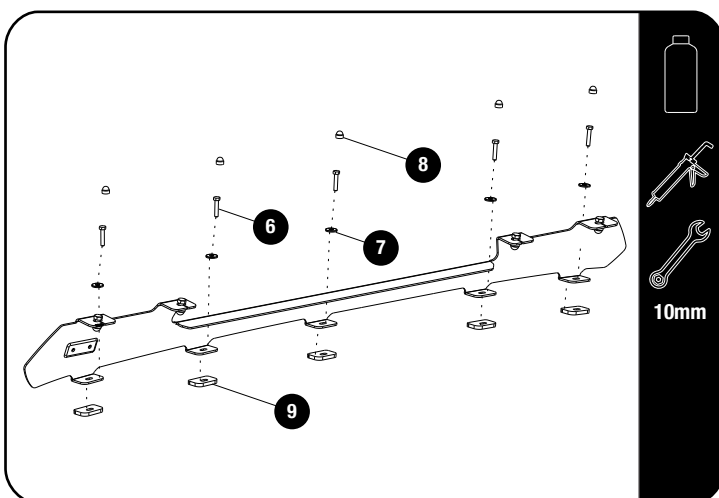
2.2



Apply a bead of silicone on the 4 Nut Plates (Item 10) before placing and securing the nut plates. This will bond the Nut Plates in place, so that the headliner does not need to be removed in future, should you want to remove the rack.

Twist the nut plate free after tightening and continue to next fixing point.

2.3



Clean around all the holes with denatured alcohol.

Apply a small bead of silicone around and over each hole before placing the Spacers (Item 10) over each hole. Place the Foot Rails onto the spacers and secure using using M6 x 30 Hex Bolts, M6 Flat Washers and Nut Plates (Items 6, 7, 8 & 9) as shown.

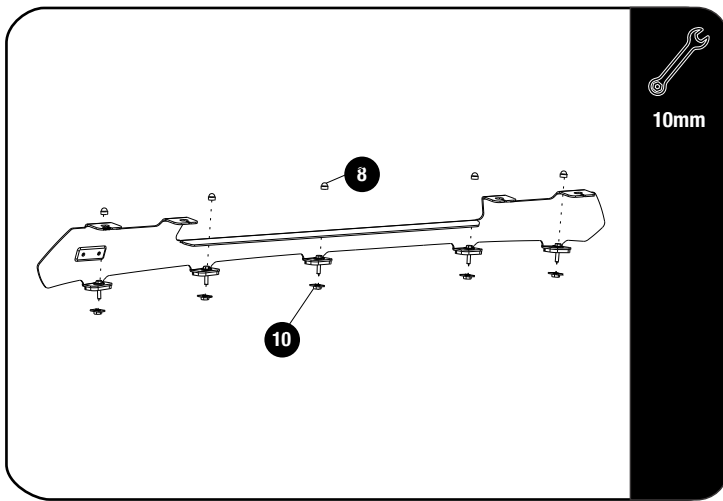


Tightening Torque:
M6 : 8-10Nm / 5.9 ft lb - 7.38 ft lb

2

FIT AND SECURE

2.4



Once all the bolts are fitted to the nut plates (Item 10) Fully tighten all the bolts and place the M6 nut Caps (Item 8) on all the bolts



Tightening Torque:

M6 : 8-10Nm / 5.9 ft lb - 7.38 ft lb

3

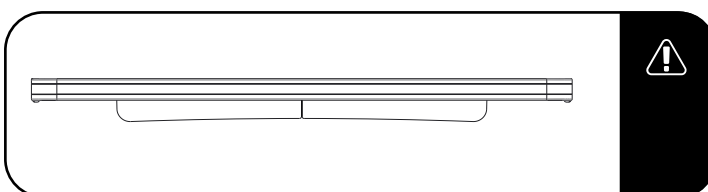
FIT AND SECURE

3.1

Refer to RRSUNI when assembling your Slimline II Tray.

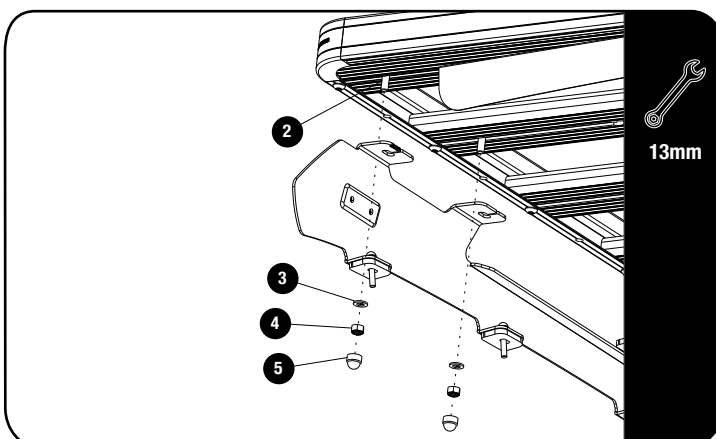


3.2



Make sure that the wind deflector is installed before you proceed to the next step.

3.3



Tightening Torque:

M8 : 15-20Nm / 11.06 ft lb - 14.75 ft lb



Fit your roof rack to the Foot Rails using M8 x 20 Hex Bolts, M8 x 16 x 1.6SS Flat Washers and M8 Nyloc Nuts (Items 2, 3 & 4) as shown.

Center the Rack and fully tighten. Place M8 Nut Caps (Item 5) over all M8 Nyloc Nuts.

4

INSTALL OTHER VEHICLE AND RACK ACCESSORIES

Now's the time to visit your favorite Front Runner dealer in person or online.

IMPORTANT!

FRONT RUNNER RACK KITS OFTEN HAVE A HIGHER LOAD RATING THAN THE VEHICLES THEY ARE MOUNTED TO. PLEASE REFER TO YOUR SPECIFIC VEHICLE MANUFACTURER FOR A RECOMMENDED ROOF RATING. FRONT RUNNER CANNOT BE RESPONSIBLE FOR IMPROPER LOADING BEYOND THE VEHICLE MANUFACTURER'S STATED LOAD CAPACITY.

Be sure to tag us. We love to see our gear in action! #FrontRunnerOutfitters #BornToRoam

Share your adventures on: 