

READ ME !

Thank you for purchasing Ineos Grenadier Grab Handle Brackets.

Before you start, take a moment to familiarize yourself with the Fitting Instructions and the included components.

Refer to Page 2 for a list of all the components, quantities and tools required.

IMPORTANT WARNING!

IT IS CRITICAL THAT ALL FRONT RUNNER PRODUCTS BE PROPERLY AND SECURELY ASSEMBLED AND ATTACHED TO YOUR VEHICLE. IMPROPER ATTACHMENT COULD RESULT IN AN AUTOMOBILE ACCIDENT, AND COULD CAUSE SERIOUS BODILY INJURY OR DEATH. YOU ARE RESPONSIBLE FOR ASSEMBLING AND SECURING ALL FRONT RUNNER PRODUCTS TO YOUR VEHICLE, CHECKING THE ATTACHMENTS PRIOR TO USE, AND PERIODICALLY INSPECTING THE PRODUCTS FOR ADJUSTMENT, WEAR AND DAMAGE. THEREFORE, YOU MUST READ AND UNDERSTAND ALL OF THE INSTRUCTIONS AND PRECAUTIONS SUPPLIED WITH YOUR FRONT RUNNER PRODUCT PRIOR TO INSTALLATION OR USE. IF YOU DO NOT UNDERSTAND ALL OF THE INSTRUCTIONS AND CAUTIONS, OR IF YOU HAVE NO MECHANICAL EXPERIENCE AND ARE NOT THOROUGHLY FAMILIAR WITH THE INSTALLATION PROCEDURES, YOU SHOULD HAVE THE PRODUCT INSTALLED BY A PROFESSIONAL INSTALLER OR OTHER QUALIFIED PERSONNEL.

NOTE: Front Runner will not be responsible for any damage caused by the failure to install the product according to these instructions.

Please call us if you have any questions about the installation of this product.

1

GET ORGANIZED

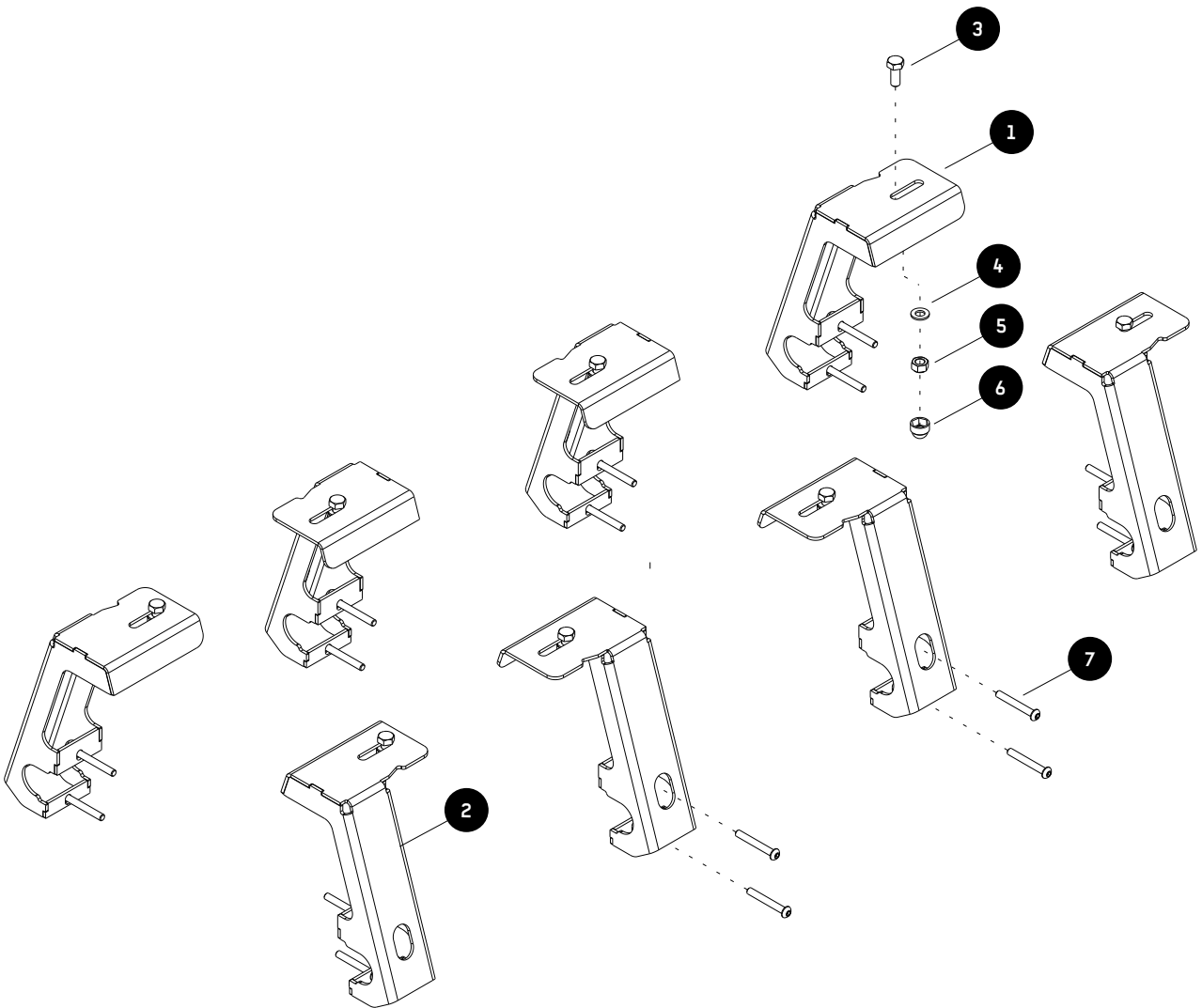
IN THE BOX

1	4 X	Mounting Foot RH
2	4 X	Mounting Foot LH
3	8 X	M8 x 20 Hex Bolt
4	8 X	M8 Flat Washer
5	8 X	M8 Nyloc Nut
6	8 X	M8 Nut Cap
7	16 X	M6 x 45 Button Head Bolt

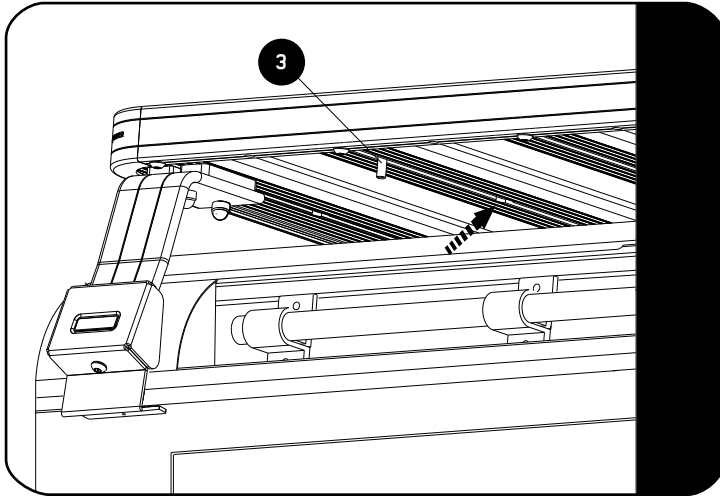
TOOLS NEEDED



FIGURE 1.1



2.1

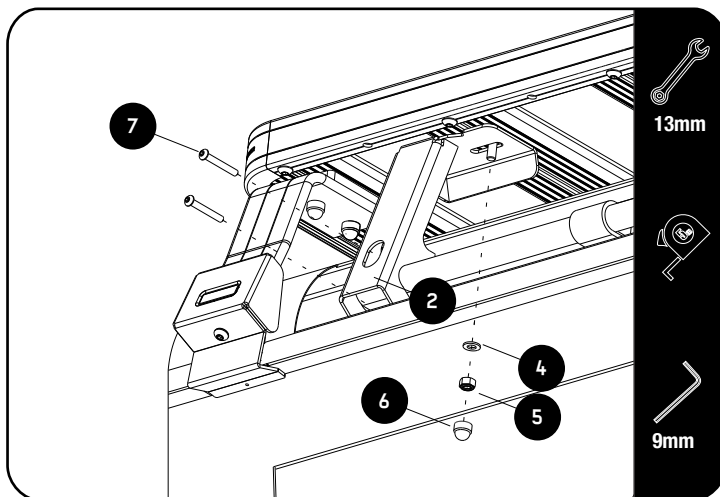


Slide M8 x 20 Hex Bolts (Item 3) into the machined slots on the 2nd, 4th, 6th & 9th slats from the rear.

Referring to 2.3, remove the torx screws from the grab handle mountings on position A, B, C & D.

Do this on both sides of the vehicle.

2.2



Loosely fit the Mounting Feet (Item 2 & 3) using M8 Flat Washers, M8 Nyloc Nuts and M6 x 45 Button Head Bolts (Items 4, 5 & 7) as shown.

Refer to 2.3 for position of the Mounting Feet.

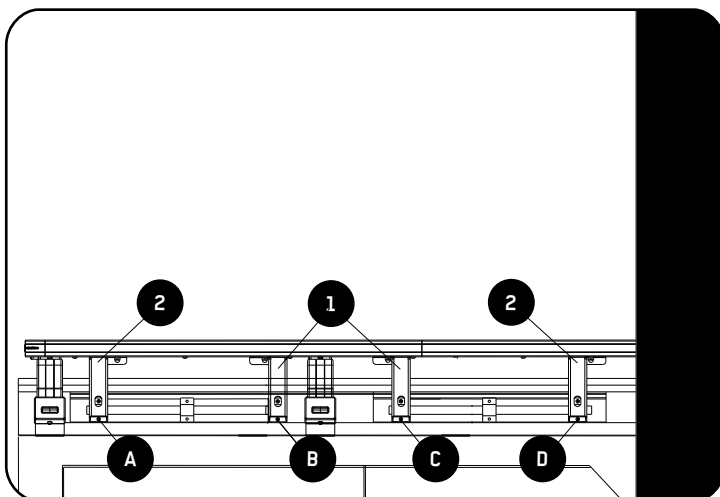
Center the tray left to right before fully tightening all the fasteners.

Please M8 Nut Caps (Item 6) on all the M8 Nyloc Nuts.



If you have the SLII tray already fitted, you may need to loosen the legs and lift the tray slightly.

2.3



Tightening Torque:

M6 : 8-10Nm / 5.9 ft lb - 7.38 ft lb



Tightening Torque:

M8 : 15-20Nm / 11.06 ft lb - 14.75 ft lb

3

FINISH

Congratulations! You did it. Take a step back and admire your work!

4

INSTALL OTHER VEHICLE AND RACK ACCESSORIES

Now's the time to visit your favorite Front Runner Dealer in person or online.

Be sure to tag us. We love to see our gear in action! #FrontRunnerOutfitters #BornToRoam

Share your adventures on:

