



START HERE!

READ ME FIRST

Don't be a hero and muscle through this without first reading these fitting instructions! Improper installation of this gear may void certain aspects of your warranty.

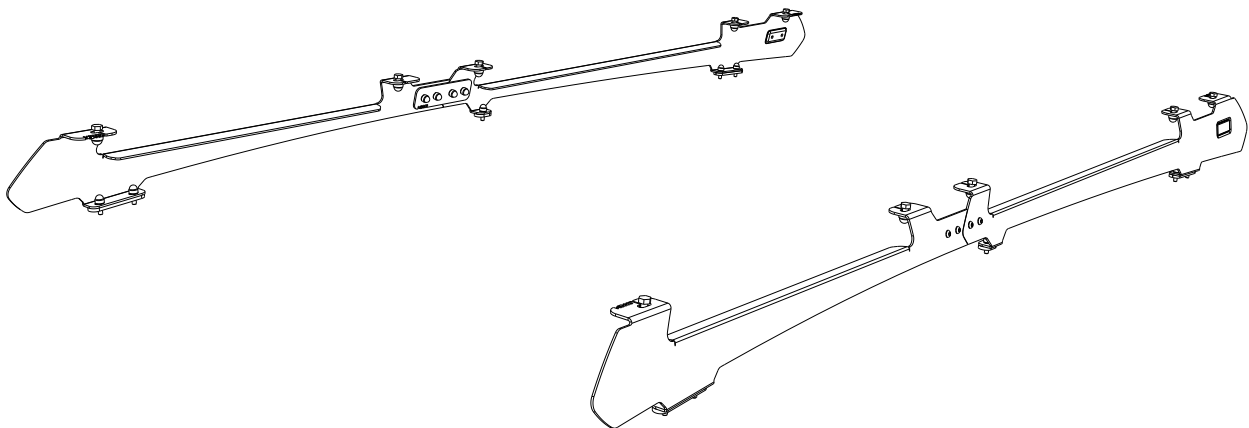
Before you begin, take a moment and open all your Front Runner rack kit boxes and gather the assembly instructions for the various components.

A complete kit will contain:

1. A Front Runner Mounting System specific to your vehicle
2. A Front Runner Rack Tray or Load Bar Slats

This document will guide you through the assembly of the mounting system and assist you in fitting the roof rack tray or load bars to your specific vehicle.

Please refer to the next page for a list of all the components, quantities and tools required.



IMPORTANT WARNING!

IT IS CRITICAL THAT ALL FRONT RUNNER PRODUCTS BE PROPERLY AND SECURELY ASSEMBLED AND ATTACHED TO YOUR VEHICLE. IMPROPER ATTACHMENT COULD RESULT IN AN AUTOMOBILE ACCIDENT, AND COULD CAUSE SERIOUS BODILY INJURY OR DEATH. YOU ARE RESPONSIBLE FOR ASSEMBLING AND SECURING ALL FRONT RUNNER PRODUCTS TO YOUR VEHICLE. CHECKING THE ATTACHMENTS PRIOR TO USE, AND PERIODICALLY INSPECTING THE PRODUCTS FOR ADJUSTMENT, WEAR AND DAMAGE. THEREFORE YOU MUST READ AND UNDERSTAND ALL OF THE INSTRUCTIONS AND PRECAUTIONS SUPPLIED WITH YOUR FRONT RUNNER PRODUCT PRIOR TO INSTALLATION OR USE. IF YOU DO NOT UNDERSTAND ALL OF THE INSTRUCTIONS AND CAUTIONS, OR IF YOU HAVE NO MECHANICAL EXPERIENCE AND ARE NOT THOROUGHLY FAMILIAR WITH THE INSTALLATION PROCEDURES, YOU SHOULD HAVE THE PRODUCT INSTALLED BY A PROFESSIONAL INSTALLER OR OTHER QUALIFIED PERSONNEL.

1

GET ORGANIZED

Here is what you are looking at for FAMP002

IN THE BOX

1	2 X	Front Foot Rail; 1xLH, 1xRH
2	2 X	Rear Foot Rail; 1xLH, 1xRH
3	4 X	Foot Spacer 1
4	2 X	Foot Spacer 2
5	2 X	Joiner Plate
6	18 X	Nut Cap M6
7	10 X	M6 x 20 Hex Bolt
8	10 X	M6 Spring Washer
9	18 X	M6 x 19 x 1 SS Flat Washer
10	10 X	M8 x 20 Hex Bolt
11	10 X	M8 x 16 x 1.6 SS Flat Washer

IN THE BOX CONTINUED

12	10 X	M8 Nyloc Nut
13	10 X	M8 Nut Cap
14	8 X	M6 x 16 Button Head Bolt
15	8 X	M6 Nyloc Nut

TOOLS NEEDED

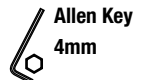
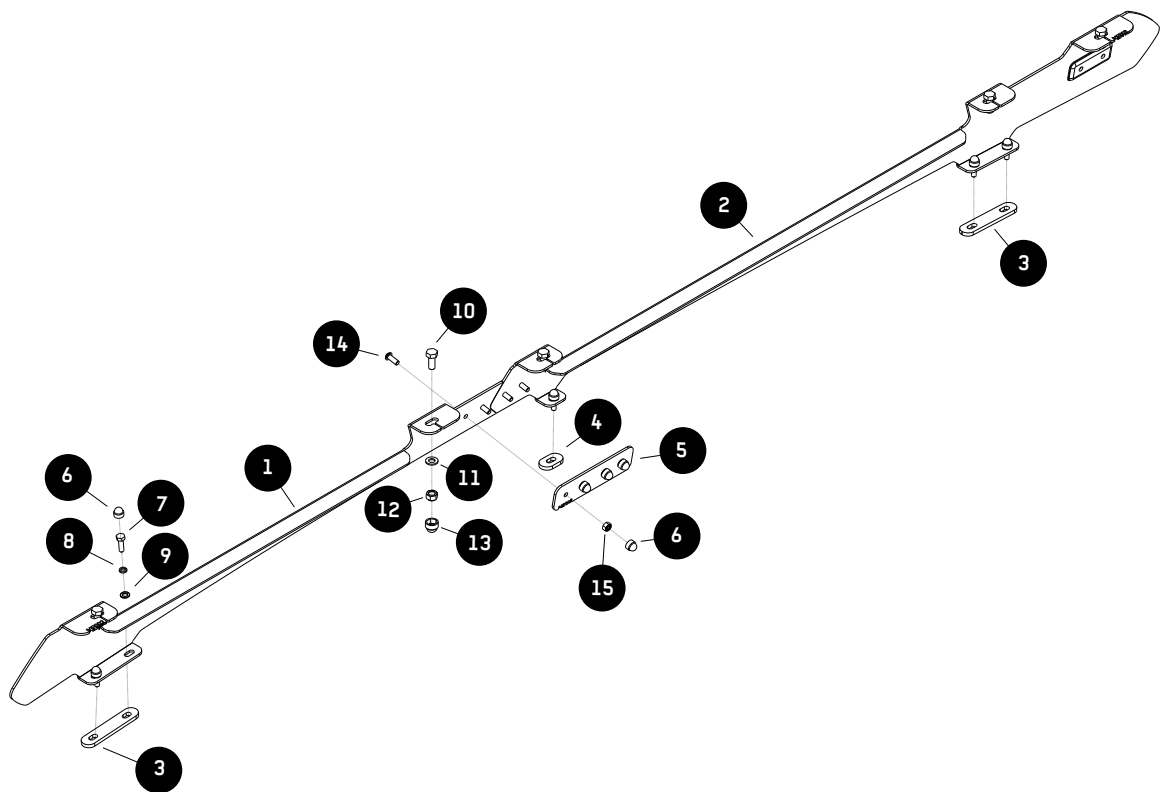
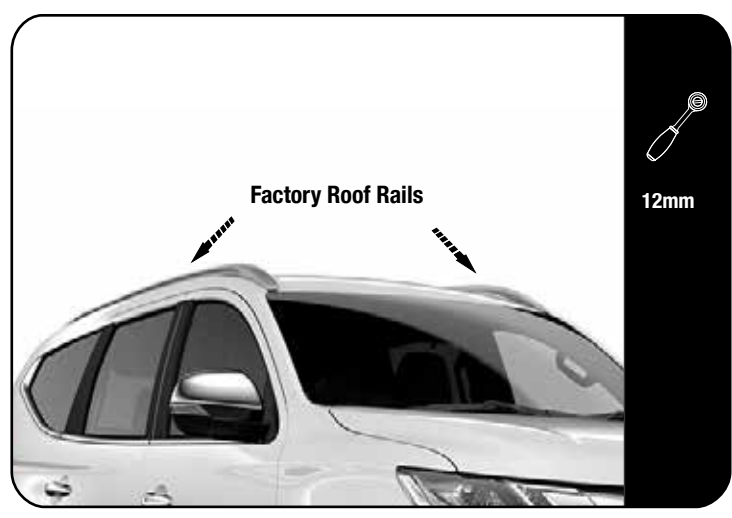


FIGURE 1.1



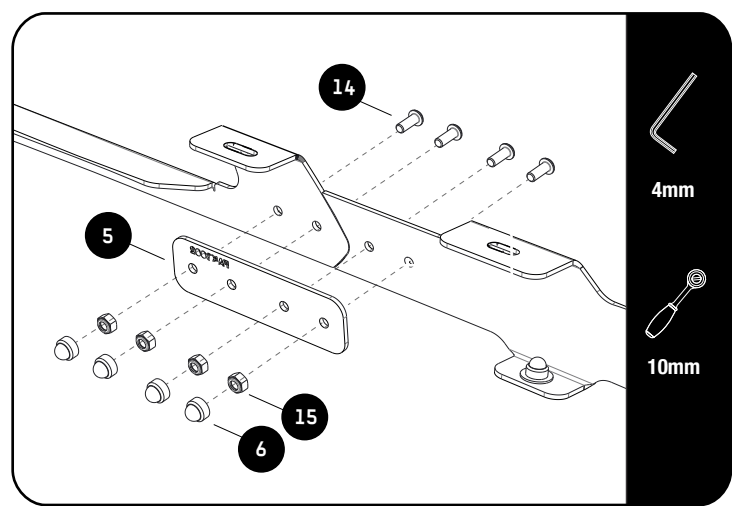
2 FIT AND SECURE

2.1



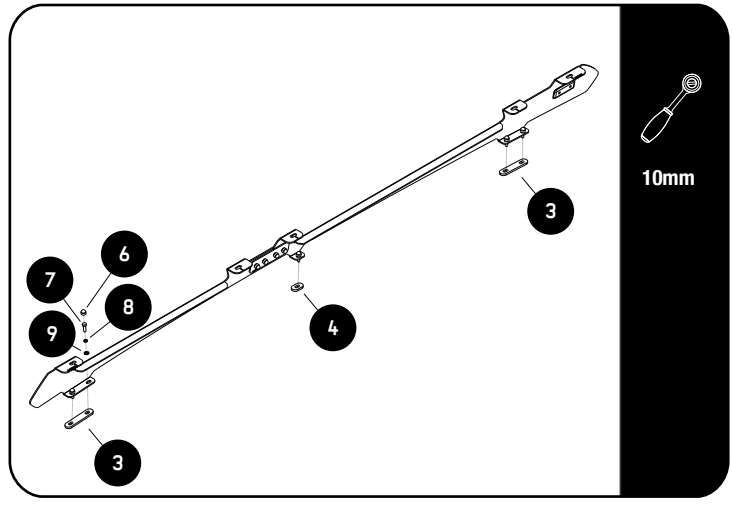
Before you start with the fitment of the foot rails, you need to remove the factory roof rails. Do this by unclipping and removing the front and rear end-caps of the roof rail. In the middle of the roof rail you will see a small cover plate, this will also need to be removed. Now loosen the two bolts in front, one bolt in the middle and 3 bolts at the rear of the roof rail.
After you have removed all the bolts, remove both the roof rails from the vehicle.

2.2



Assemble the front and rear foot rail (Items 1 and 2) with the joiner plate (Item 5) and fasteners (Items 6 & 15) as shown.

2.3



Place a bead of sealant in and over each hole in the roof, then place the spacers (Items 3 & 4) over front, middle and two rear holes as shown. Place the foot rail that you assembled in 2.2 on the spacers and loosely secure it with Items 7, 8 & 9 as shown.

3

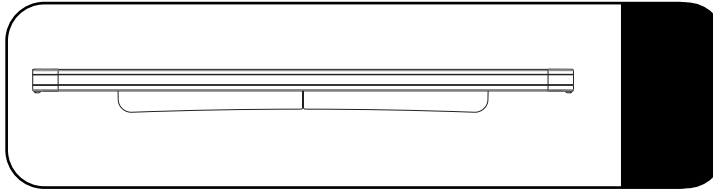
FIT AND SECURE

3.1

Refer to RRSTUNI when assembling your Slimline II Tray.

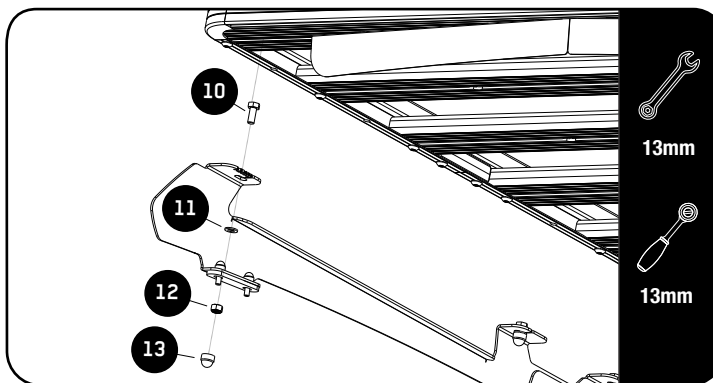


3.2



Make sure that the wind deflector is installed before you proceed to the next step.

3.3



Slide Item 10 into the t-slots shown in 3.3. Loosely fit the roof rack to the foot rails by using Items 11 & 12.

3.4

Centre the rack and fully tighten all the fasteners. Use M6 & M8 nut caps (Items 8 & 15) to finish off the nuts.



4

FINISH

Congratulations! You did it. Take a step back and admire your work!

5

INSTALL OTHER VEHICLE AND RACK ACCESSORIES

Now's the time to visit your favorite Front Runner Dealer in person or online.

Be sure to tag us. We love to see our gear in action! #FrontRunnerOutfitters #BornToRoam

Share your adventures on: 