

# START HERE!

## READ ME FIRST

Don't be a hero and muscle through this installation without reading these fitting instructions first! Improper installation of this gear may void certain aspects of your warranty.

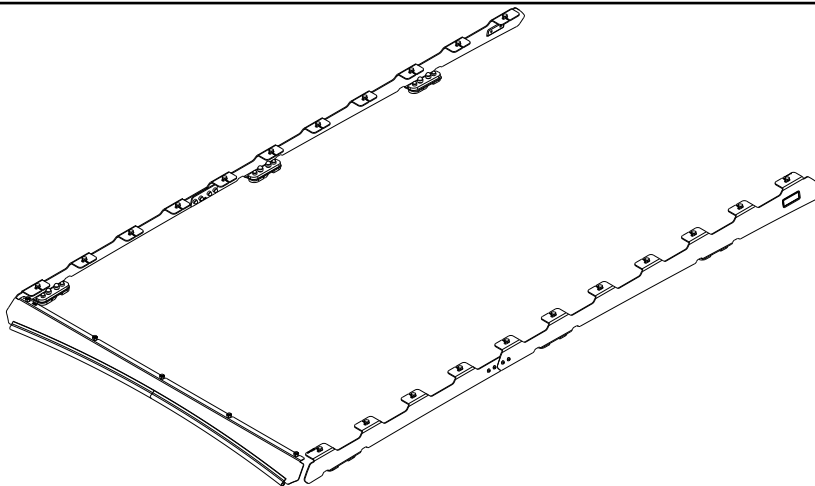
Before you begin, take a moment and open all your Front Runner rack kit boxes and gather the assembly instructions for the various components.

A complete kit will contain:

1. A Front Runner Mounting System specific to your vehicle
2. A Front Runner Rack Tray or Load Bar Slats

This document will guide you through the assembly of the mounting system and assist you in fitting the roof rack tray or load bars to your specific vehicle.

Please refer to the next page for a list of all the components, quantities and tools required.



### IMPORTANT WARNING!

IT IS CRITICAL THAT ALL FRONT RUNNER PRODUCTS BE PROPERLY AND SECURELY ASSEMBLED AND ATTACHED TO YOUR VEHICLE. IMPROPER ATTACHMENT COULD RESULT IN AN AUTOMOBILE ACCIDENT, AND COULD CAUSE SERIOUS BODILY INJURY OR DEATH. YOU ARE RESPONSIBLE FOR ASSEMBLING AND SECURING ALL FRONT RUNNER PRODUCTS TO YOUR VEHICLE, CHECKING THE ATTACHMENTS PRIOR TO USE, AND PERIODICALLY INSPECTING THE PRODUCTS FOR ADJUSTMENT, WEAR AND DAMAGE. THEREFORE, YOU MUST READ AND UNDERSTAND ALL OF THE INSTRUCTIONS AND PRECAUTIONS SUPPLIED WITH YOUR FRONT RUNNER PRODUCT PRIOR TO INSTALLATION OR USE. IF YOU DO NOT UNDERSTAND ALL OF THE INSTRUCTIONS AND CAUTIONS, OR IF YOU HAVE NO MECHANICAL EXPERIENCE AND ARE NOT THOROUGHLY FAMILIAR WITH THE INSTALLATION PROCEDURES, YOU SHOULD HAVE THE PRODUCT INSTALLED BY A PROFESSIONAL INSTALLER OR OTHER QUALIFIED PERSONNEL.

**NOTE:** Front Runner will not be responsible for any damage caused by the failure to install the product according to these instructions.

Please call us if you have any questions about the installation of this product.

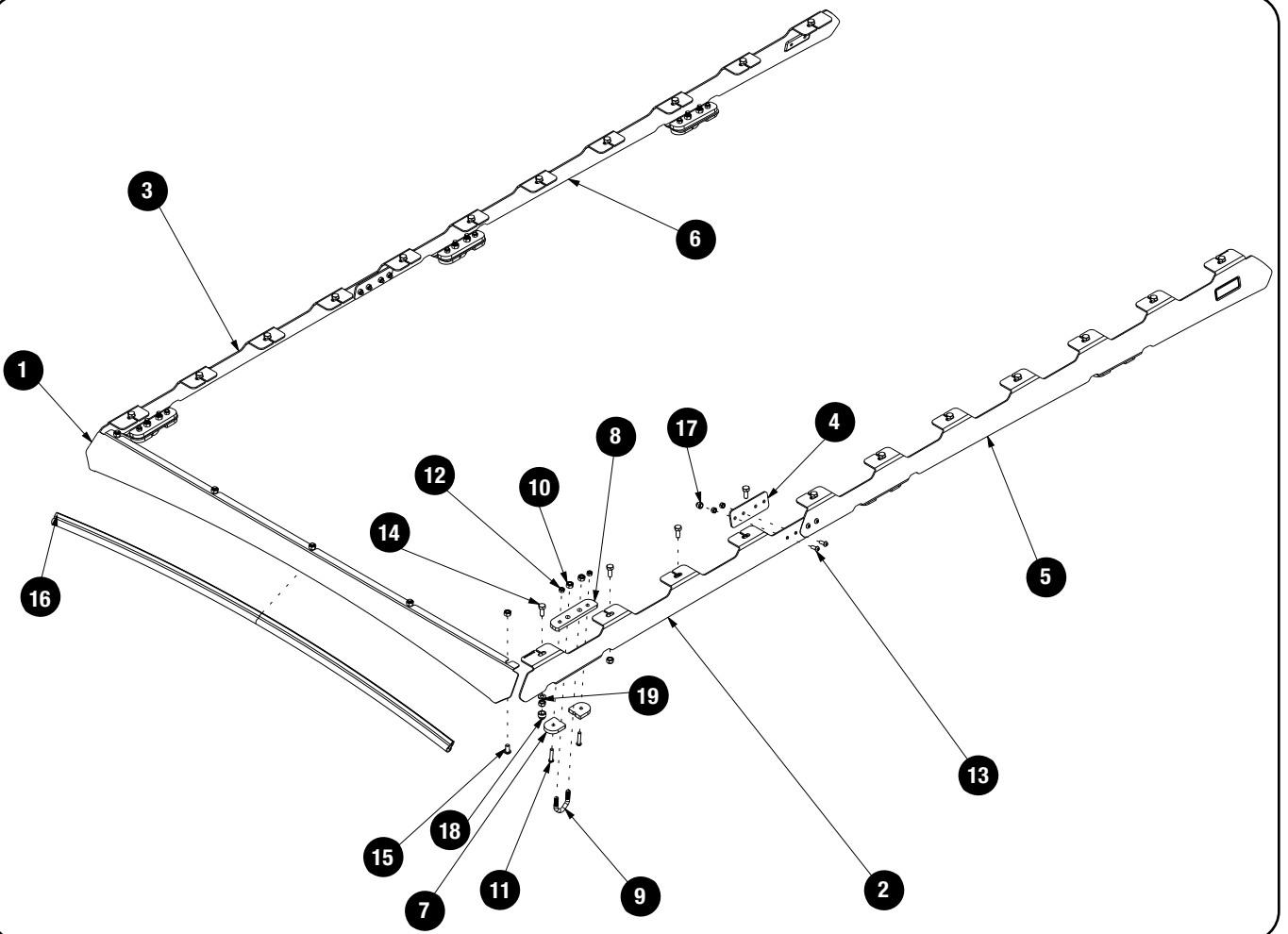
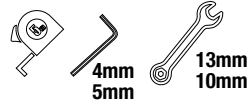


# 1 GET ORGANIZED

## IN THE BOX

1	1 X	Wind Fairing
2	1 X	Front Left Hand Side Foot Rail
3	1 X	Front Right Hand Side Foot Rail
4	2 X	Joiner Plate
5	1 X	Rear Left Hand Side Foot Rail
6	1 X	Rear Right Hand Side Foot Rail
7	12 X	Small Spacer
8	6 X	Large Spacer
9	6 X	M8 V Bolts
10	39 X	M8 Nyloc Nuts
11	13 X	M6 x 30 Button Head Screw
12	20 X	M6 Nyloc Nuts
13	8 X	M6 x 16 Button Head Screw
14	22 X	M8 x 20 Hex Head Bolt
15	5 X	M8 x 16 Button Head Screw
16	1 X	Wind Fairing Rubber
17	20 X	M6 Nut Caps
18	30 X	M8 Nut Caps
19	22 X	M8 x 16 x 1.6 Flat Washer

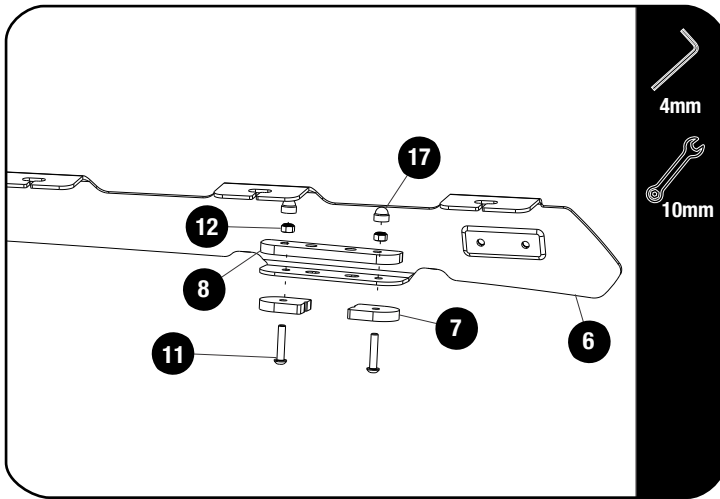
## TOOLS NEEDED



2

**FIT AND SECURE**

2.1



Fit the large metal spacer (Item 8) to the top of the mounting flange and the smaller plastic spacers (Item 7) to the underside of the flange as shown using M6x30 Button Head Screws (Item 11) and M6 Nylocs (Item 12).

**Fully tighten**

**Do this on all 6 feet on the Foot Rail.**

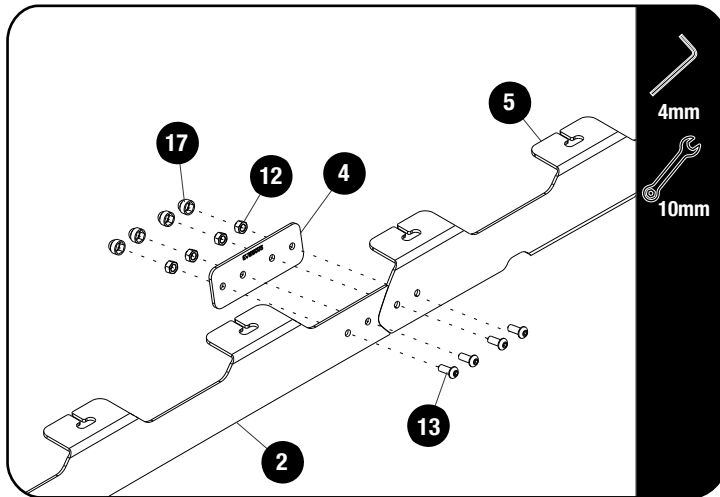
**Place the M6 Nut Caps (Item 17) on all the M6 Nyloc Nuts.**



**Tightening Torque:**

**M6 : 8-10Nm / 5.9 ft lb - 7.38 ft lb**

2.2



Assemble the Front Foot Rail (Item 2) and the Rear Foot Rail (Item 5) using M6 x 16 Button Head Bolts (Item 13), the Joiner Plate (Item 4) and M6 Nyloc Nuts (Item 12).

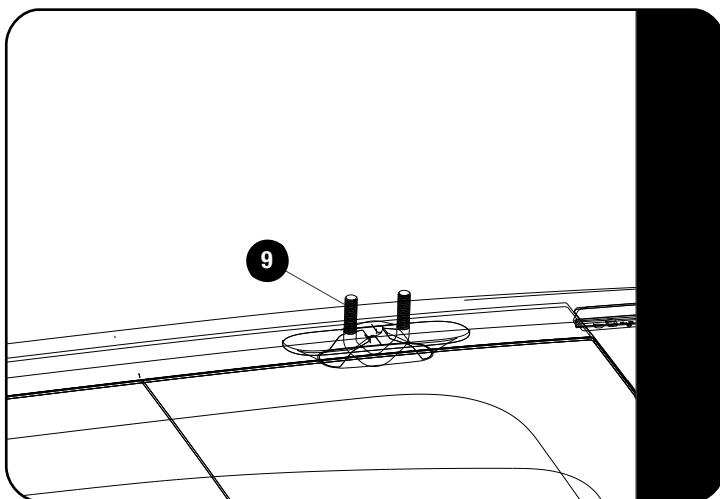
**Fully tighten and finish off the Nyloc Nuts with the M6 Nut Caps (Item 17).**



**Tightening Torque:**

**M6 : 8-10Nm / 5.9 ft lb - 7.38 ft lb**

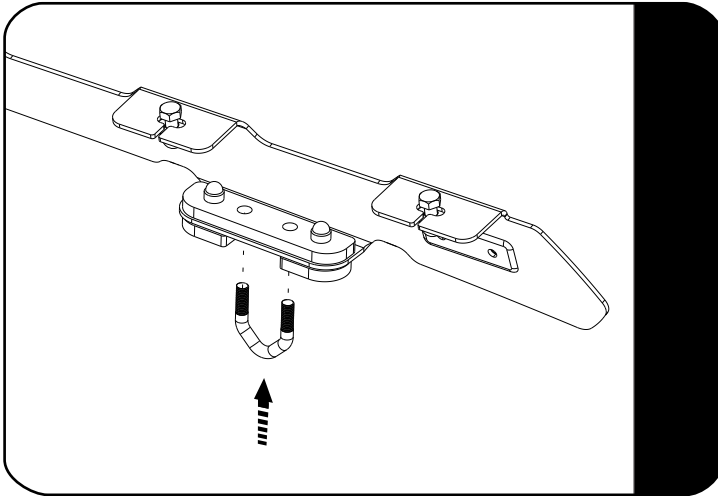
2.3



Place the M8 V Bolt (Item 12) into and around each of the six accessory ports as shown.

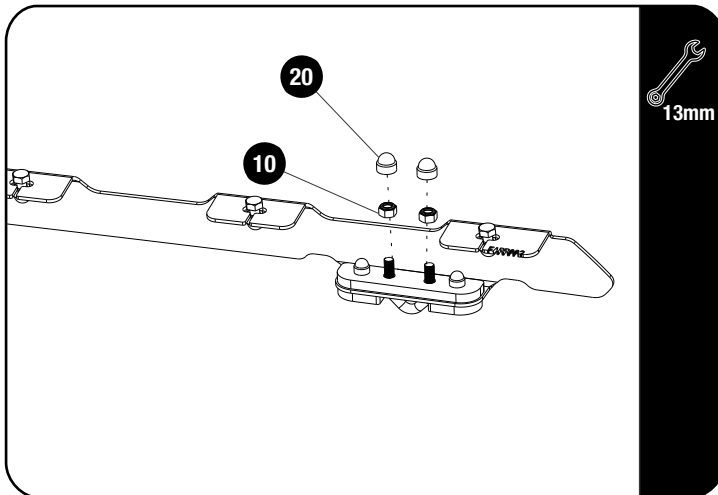
**2****FIT AND SECURE**

2.4



Place the Foot Rail assembled in step 2.1 over the accessory ports and insert the V bolt through the Foot Rail Base as shown.

2.5



Fit the M8 Nyloc Nuts (Item 10) to the M8 V Bolts and tighten equally alternating between the 2 nuts.

Check the alignment of the plastic spacers over the accessory ports and center before fully tightening.

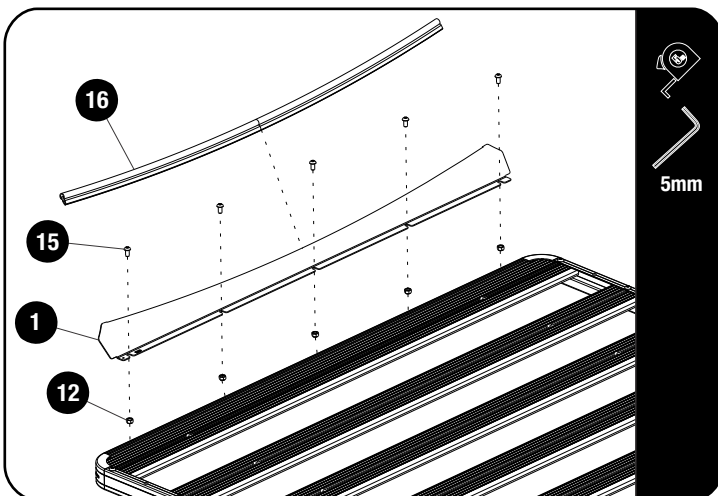
After fully tightening finish off the Nyloc Nuts with M8 Nut Caps (Item 20).

Do this on both the left and right hand side.



**DO NOT OVER TIGHTEN! 8 - 10 NM**

2.6



Remove one of the rack corners and then turn the rack upside down. Load the Nyloc Nuts (Item 12) into the combined slot.

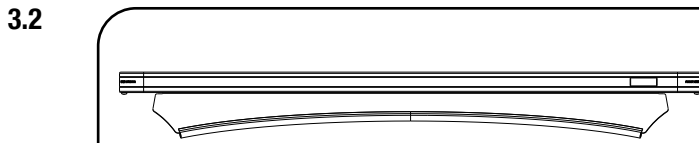
Loosely bolt the Wind Fairing (Item 1) to the combined slot of the rack when assembling the rack using the M8 x 16 Button Head Bolt (Item 15) and the M8 Nyloc Nuts (Item 12).

Use a tape measure to center the Wind Fairing an Fully tighten.

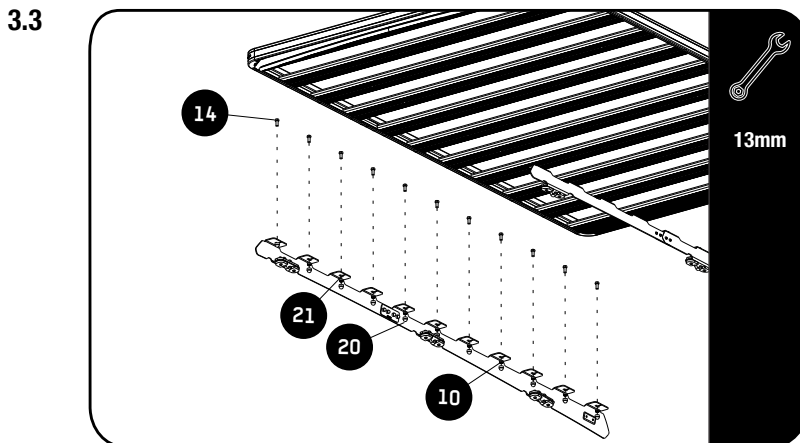
Place the Wind Fairing Rubber (Item 16) on the Wind Fairing.

### 3 FIT AND SECURE

3.1 Refer to RRSUNI when assembling your Slimline II Tray.



Make sure that the wind fairing is installed before you proceed to the next step.



Fit your roof rack to the Foot Rails using M8 x 20 Hex Bolts, M8 x 16 x 1.6SS Flat Washers and M8 Nyloc Nuts (Items 14, 21 & 10) as shown.

3.4 Center the rack and tighten fully. Use M8 Nut Caps (Items 10) to finish off the nuts.



### 4 COMPLETION

4.1 Congratulations! You did it. Take a step back and admire your work!



### 5 INSTALL OTHER VEHICLE AND RACK ACCESSORIES

Now's the time to visit your favorite Front Runner dealer in person or online.

#### IMPORTANT!

FRONT RUNNER RACK KITS OFTEN HAVE A HIGHER LOAD RATING THAN THE VEHICLES THEY ARE MOUNTED TO. PLEASE REFER TO YOUR SPECIFIC VEHICLE MANUFACTURER FOR A RECOMMENDED ROOF RATING. FRONT RUNNER CANNOT BE RESPONSIBLE FOR IMPROPER LOADING BEYOND THE VEHICLE MANUFACTURER'S STATED LOAD CAPACITY.

Be sure to tag us. We love to see our gear in action! #FrontRunnerOutfitters #BornToRoam

Share your adventures on: