



**FRONT RUNNER**

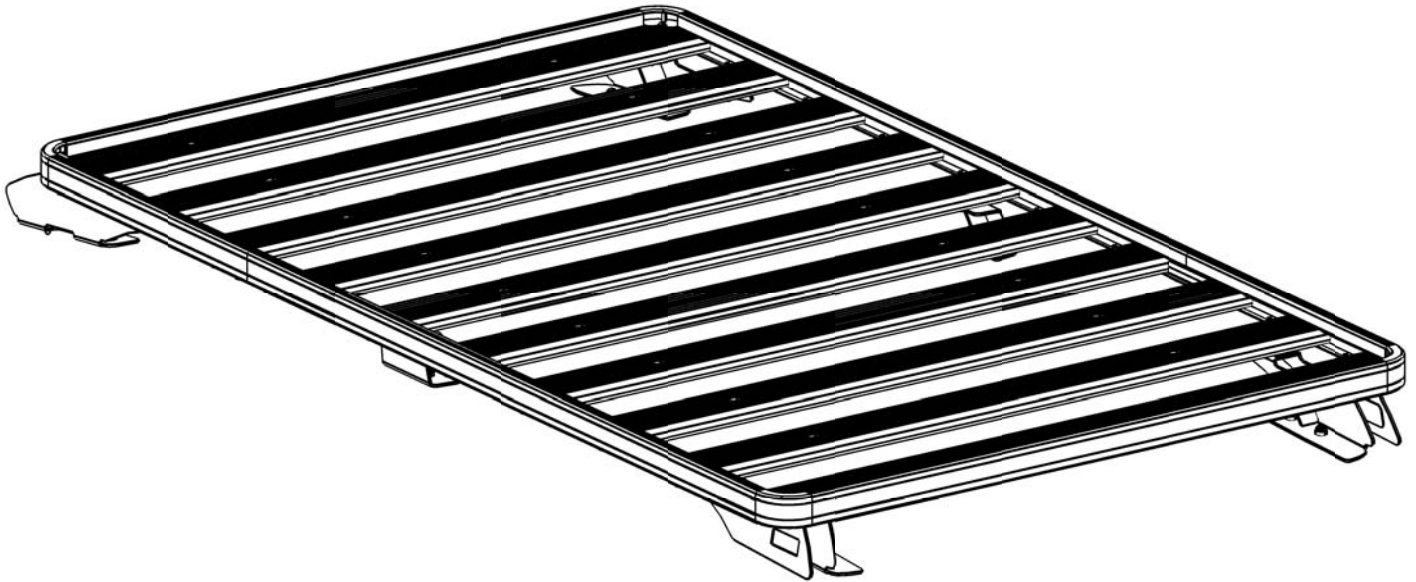
**TOYOTA FORTUNER  
SLIMLINE II RACK  
(1165MM X 1964MM)**

**ENG**

KRTF005T



**INSTALL TIME: 60 mins**



**READ ME FIRST:**

Thank you for purchasing a Front Runner Slimline II Rack.

This Roof Rack consists of a kit that contains:

- 1.) A Slimline II Tray
- 2.) A mounting system specific to your vehicle

This document will help you fit the Slimline II Tray to your specific vehicle.



**IMPORTANT WARNING!**

**IT IS CRITICAL THAT ALL FRONT RUNNER PRODUCTS BE PROPERLY AND SECURELY ASSEMBLED AND ATTACHED TO YOUR VEHICLE. IMPROPER ATTACHMENT COULD RESULT IN AN AUTOMOBILE ACCIDENT, AND COULD CAUSE SERIOUS BODILY INJURY OR DEATH TO YOU OR TO OTHERS. YOU ARE RESPONSIBLE FOR ASSEMBLING AND SECURING ALL FRONT RUNNER PRODUCTS TO YOUR VEHICLE, CHECKING THE ATTACHMENTS PRIOR TO USE, AND PERIODICALLY INSPECTING THE PRODUCTS FOR ADJUSTMENT, WEAR, AND DAMAGE. THEREFORE, YOU MUST READ AND UNDERSTAND ALL OF THE INSTRUCTIONS AND CAUTIONS SUPPLIED WITH YOUR FRONT RUNNER PRODUCT PRIOR TO INSTALLATION OR USE. IF YOU DO NOT UNDERSTAND ALL OF THE INSTRUCTIONS AND CAUTIONS, OR IF YOU HAVE NO MECHANICAL EXPERIENCE AND ARE NOT THOROUGHLY FAMILIAR WITH THE INSTALLATION PROCEDURES, YOU SHOULD HAVE THE PRODUCT INSTALLED BY A PROFESSIONAL INSTALLER OR OTHER QUALIFIED PERSONNEL.**

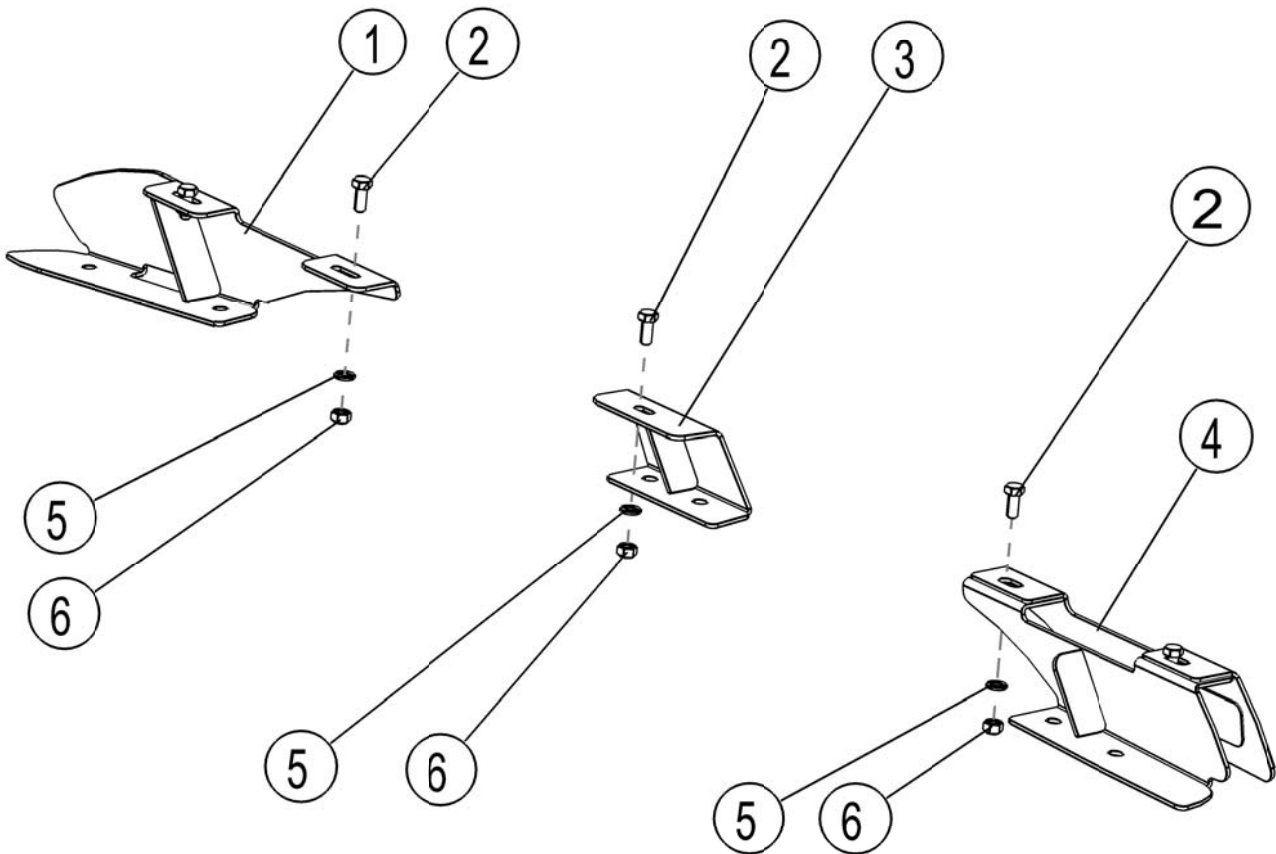
# 1 GET ORGANIZED...

Here is what you are looking at: Please note that only the right hand side has been shown.

Item #	Quantity	Description
1	2	FRONT FOOT - 1 LEFT, 1 RIGHT
2	10	M8x20 HEX BOLT
3	2	MIDDLE FOOT - 1 LEFT, 1 RIGHT
4	2	REAR FOOT - 1 LEFT, 1 RIGHT
5	10	M8 FLAT WASHER
6	10	M8 NYLOC NUT
7	12	M6 NUT CAP (Not Pictured)
8	10	M8 NUT CAP (Not Pictured)

## You will need:

- a 13mm Flat and Socket Wrench
- a 10mm Flat and Socket Wrench
- a 4mm Hex Key
- Rag and some Methylated Spirits/Denatured Alcohol
- a tube of Clear Silicone
- a Ladder
- a Friend
- a Measuring Tape
- a Medium Flat Screw Driver



**(A)** Familiarize yourself with the parts and then step away from the work area and read through these instructions from beginning to end. Take a moment as a little prep now may save you a lot of time later.

## 2 FIT THE FEET

- ( A ) Using a flat screwdriver remove the front, middle and rear covers from both roof rails.



- ( B ) Using a 10mm wrench, loosen the six bolts each side securing the rails to the vehicle.



- ( C ) Remove the rubber pads from the bottom of each rail. Cut off the locating "nipples" and place the pads back into position on the vehicle. Place a small amount of silicone over each bolt hole.



- ( D ) Place the six Feet onto the rubber pads, lining up the holes in the Feet with the mounting holes in the roof. Fasten the Feet to the vehicle using the original bolts removed in Step 2B. Place the M6 Nut Caps supplied over the original bolt heads.

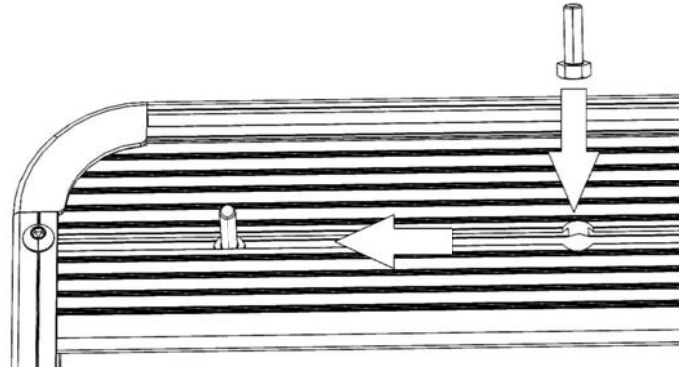


### 3 FIT THE RACK



**Note:** If your Slimline II Tray is not already assembled, assemble it as per the Slimline II Tray Universal Assembly Instruction (Document RRSUNI). Read Step 3A before fitting the Wind Deflector

- (A) Before fitting the Wind Deflector, and with the Rack in the upside down position, (Check with product sticker. It should be upside down), slide a M8x20 Hex Bolt into each end of the First Slat using the machined slot as shown.



- (B) With your rack still upside down from Step 3A, slide a M8x20 Hex Bolt into each of the following Slats. Slats 2, 5, 9, 10. (Slat 1 is the Slat with the Wind Deflector attached to it.)

Grab your Friend and with one of you on each side of the Rack, flip the Rack end over end (Prevents the Hex Bolts from falling out the machines slots) so that the M8x20 Hex Bolts are facing down. Approach the vehicle from the rear, with the Wind Deflector facing forward. Lift the Rack up and over the Roof positioning it above the six Feet. Bring the Rack down slowly, lining up the Bolts in the Rack with the holes in the top of the Feet. Hand tighten the Rack to the Feet using the M8 Washers and M8 Nyloc Nuts supplied.

Center the rack - left to right (check using a tape measure). Fasten all the Nuts securing the Rack to the Feet. Cover the M8 Nyloc Nuts with the M8 Nut Caps supplied



## **4 TAKE A TRIP**

- ( **A** ) After your first adventure, check that all nuts, bolts, screws and fittings are tight. Re-tighten where needed. You'll find a small amount of settling has happened.

Go on many more adventures, periodically checking all nuts, bolts, screws and fittings.



Front Runner can not recommend a maximum load carrying capacity. Please refer to your vehicle manufacturer's recommendations.

## **5 INSTALL OTHER VEHICLE AND RACK ACCESSORIES**

- ( **A** ) Now's the time to visit your favorite Front Runner dealer in person or online.