

# START HERE!

## READ ME FIRST

Don't be a hero and muscle through this installation without reading these fitting instructions first! Improper installation of this gear may void certain aspects of your warranty.

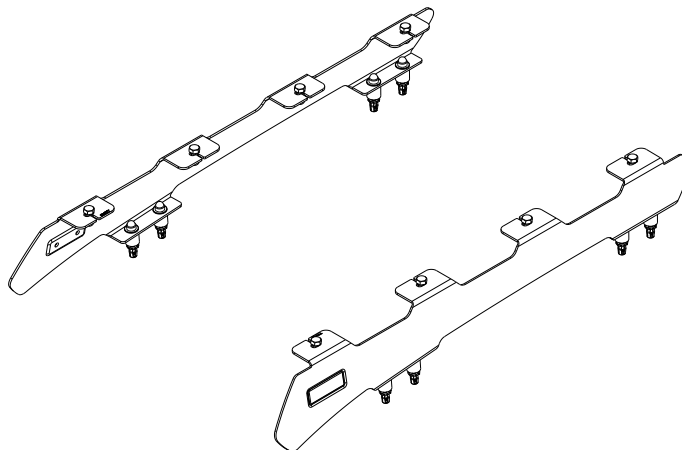
Before you begin, take a moment and open all your Front Runner rack kit boxes and gather the assembly instructions for the various components.

A complete kit will contain:

1. A Front Runner Mounting System specific to your vehicle
2. A Front Runner Rack Tray or Load Bar Slats

This document will guide you through the assembly of the mounting system and assist you in fitting the roof rack tray or load bars to your specific vehicle.

Please refer to the next page for a list of all the components, quantities and tools required.



### IMPORTANT WARNING! ⚠️

IT IS CRITICAL THAT ALL FRONT RUNNER PRODUCTS BE PROPERLY AND SECURELY ASSEMBLED AND ATTACHED TO YOUR VEHICLE. IMPROPER ATTACHMENT COULD RESULT IN AN AUTOMOBILE ACCIDENT, AND COULD CAUSE SERIOUS BODILY INJURY OR DEATH. YOU ARE RESPONSIBLE FOR ASSEMBLING AND SECURING ALL FRONT RUNNER PRODUCTS TO YOUR VEHICLE, CHECKING THE ATTACHMENTS PRIOR TO USE, AND PERIODICALLY INSPECTING THE PRODUCTS FOR ADJUSTMENT, WEAR AND DAMAGE. THEREFORE, YOU MUST READ AND UNDERSTAND ALL OF THE INSTRUCTIONS AND PRECAUTIONS SUPPLIED WITH YOUR FRONT RUNNER PRODUCT PRIOR TO INSTALLATION OR USE. IF YOU DO NOT UNDERSTAND ALL OF THE INSTRUCTIONS AND CAUTIONS, OR IF YOU HAVE NO MECHANICAL EXPERIENCE AND ARE NOT THOROUGHLY FAMILIAR WITH THE INSTALLATION PROCEDURES, YOU SHOULD HAVE THE PRODUCT INSTALLED BY A PROFESSIONAL INSTALLER OR OTHER QUALIFIED PERSONNEL.

**NOTE:** Front Runner will not be responsible for any damage caused by the failure to install the product according to these instructions.

Please call us if you have any questions about the installation of this product.

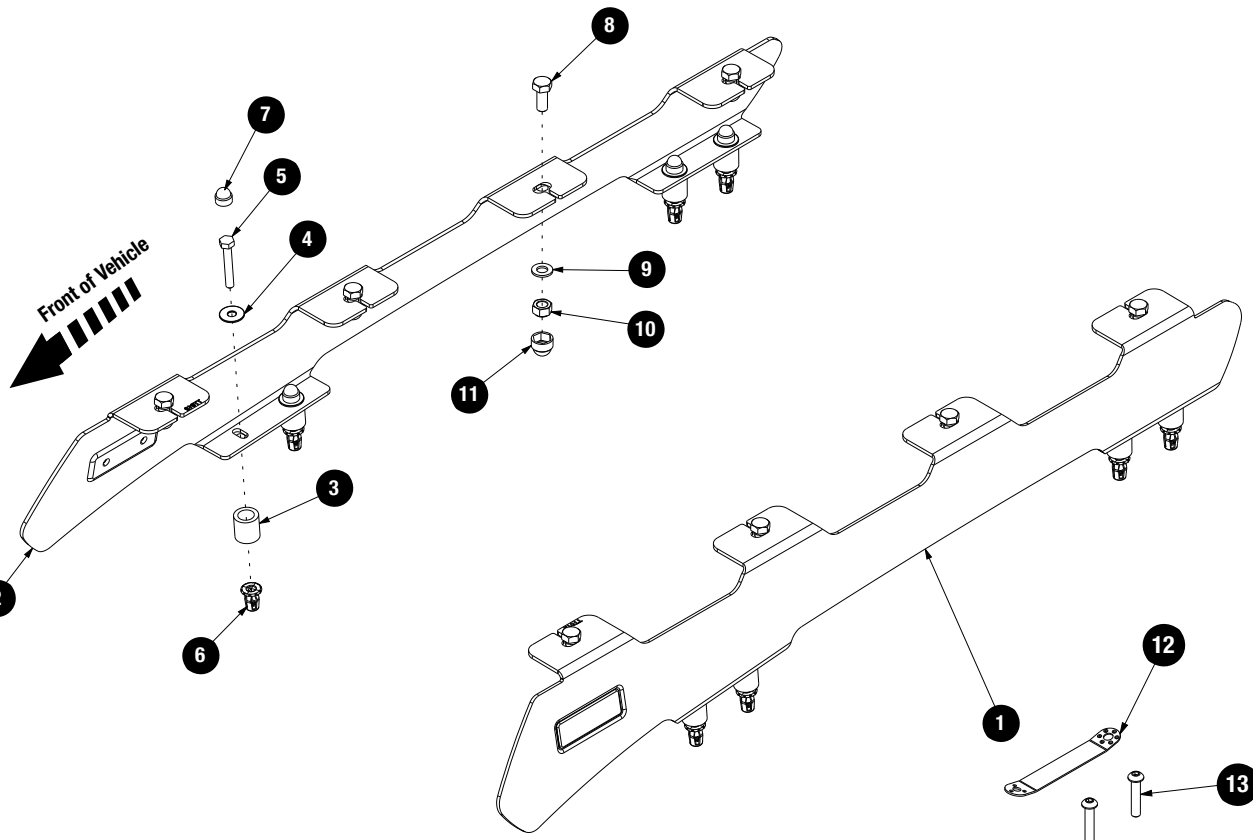
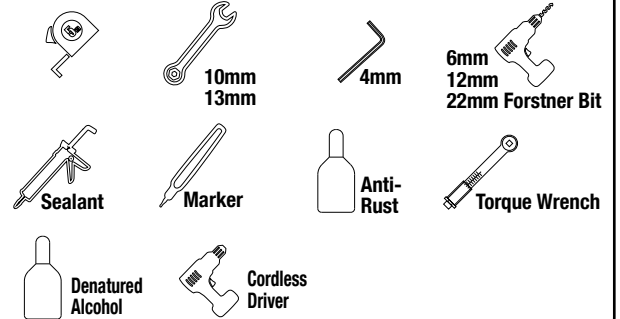


# 1 GET ORGANIZED

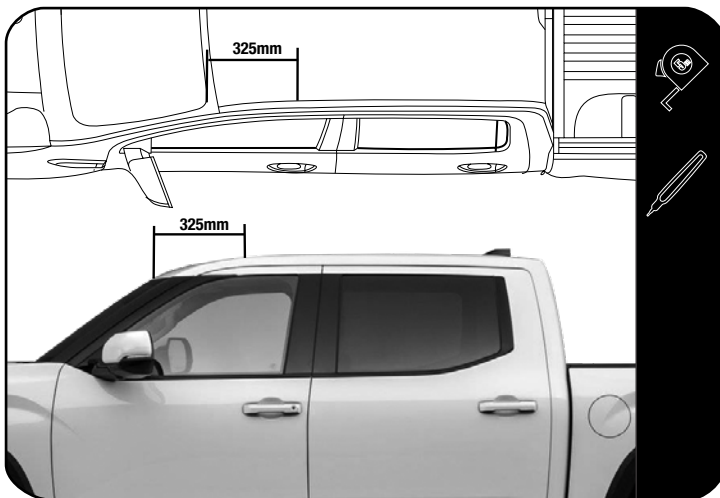
## IN THE BOX

1	1 X	Foot Rail Left Hand Side
2	1 X	Foot Rail Right Hand Side
3	8 X	19 x 20 Spacer
4	8 X	M6 x 19 x 1 Flat Washer
5	8 X	M6 x 40 Hex Head Bolt
6	8 X	M6 Jack Nut
7	8 X	M6 Nut Cap
8	8 X	M8 x 20 Hex Head Bolt
9	8 X	M8 x 16 x 1.6 Flat Washer
10	8 X	M8 Nyloc Nut
11	8 X	M8 Nut Cap
12	1 X	M6 Jack Nut Tool
13	2 X	M6 x 30 Button Head Bolt

## TOOLS NEEDED



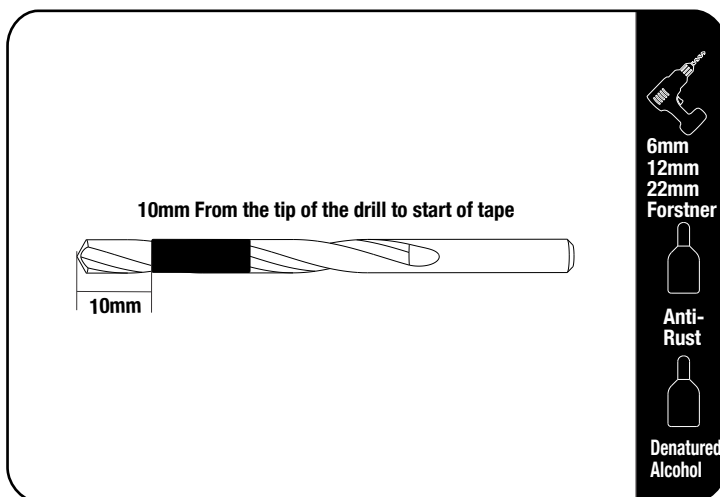
2.1



Measure 325mm backward from the top edge of the windscreen and make a mark, do this on both the LH / RH ditch.

Place the foot rail on the roof positioning the first hole in the foot rail with the center mark made earlier on the ditch and mark the three remaining holes per footrail.

2.2

**TIP:**

Place tape around the drill to mark a depth of 10mm, take care as there are airbags and canisters below.



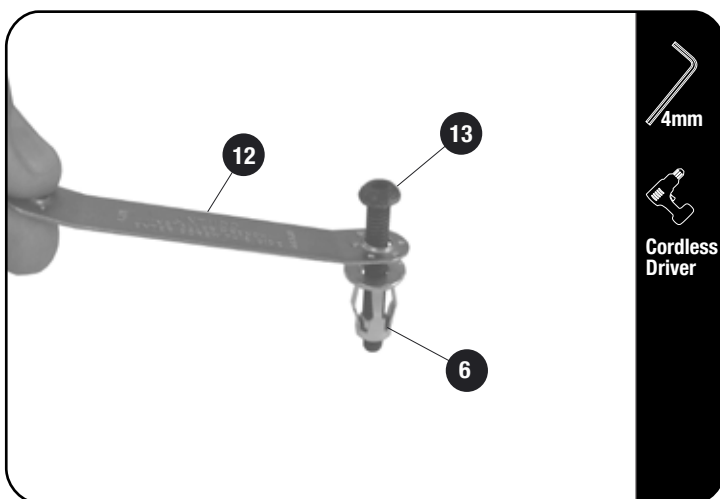
Remove the Foot Rails and drill the holes you marked, starting with a 22mm Forstner bit to drill a pilot hole and remove the mastic for the tube spacer, then drill a 6mm pilot hole before opening to a 12mm hole. There is no need for a lot of downward pressure. Let the drill do the work.



**TAKE CARE NOT TO DRILL TO DEEP AS THE CURTAIN AIRBAG IS BELOW, USING A DRILL STOP IS ADVISED.**

Clean the area around the holes drilled using a rag and denatured alcohol. Apply anti-rust around all the holes.

2.3



Insert a M6 x 30 Button Head Bolt (Item 13) into the Jack Nut Tool (Item 12) and loosely fit a Jack Nut (Item 6) to the button head bolt as shown.

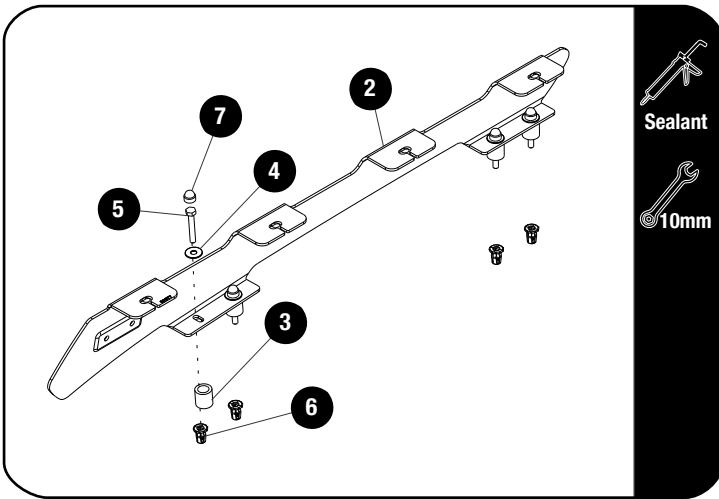
Using a cordless driver and a 4mm allen bit, set the jack nut into the holes from step 2.2 while holding the Jack Nut Tool, to prevent the Jack Nut from turning.

Make sure the Jack Nut is properly pulled up.

2

**FIT AND SECURE**

2.4



Place silicone sealant in and around the Jack Nuts fitted in step 2.3 to insure a proper water tight seal.

Place the tube spacers (Item 3) in the mastic hole with a twisting motion this will create a proper seal with the silicone.

Place the foot rail on the roof over the holes / spacers.

Assemble the foot rails to the roof using M6 x 40 Hex Bolts and M6 x 19 x 1 Flat Washers (Items 5 & 4) and fully tighten.

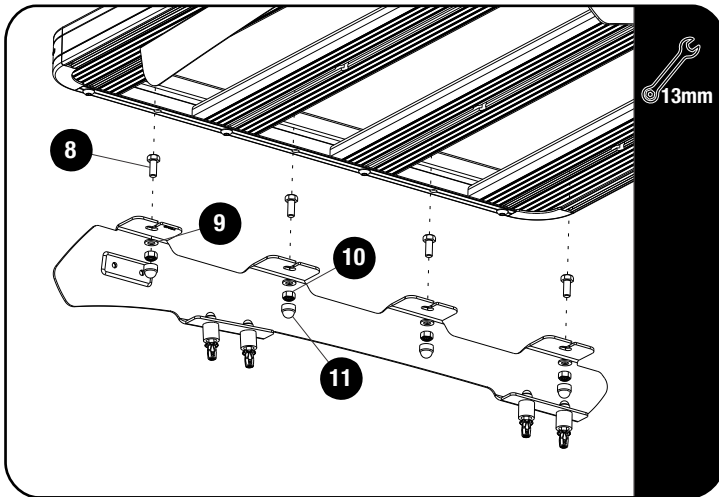
Place M6 Nut Caps (Item 9) over all hex bolts to finish off the nuts.



**Tightening Torque:**

M6 : 8-10Nm / 5.9 ft lb - 7.38 ft lb

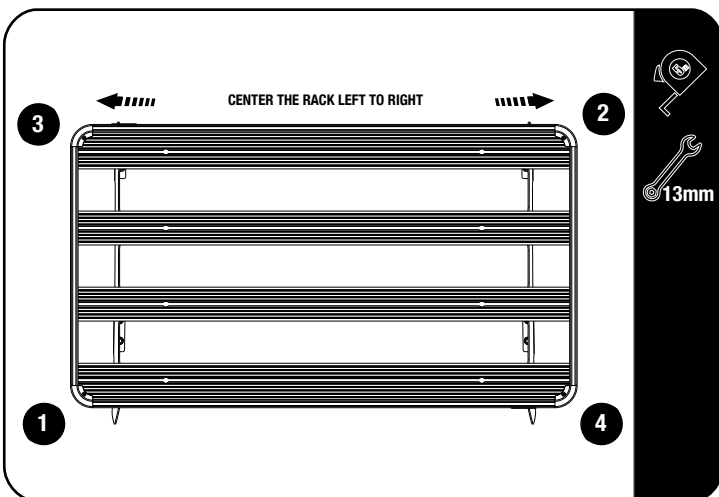
2.5



Loosely assemble the rack to the Foot Rails using the M8 x 20 Hex Head Bolt (Item 8) , M8 x 16 x 1.6 Flat Washer (Item 9) and M8 Nyloc Nuts (Item 10) as shown.

Do Not Fully Tighten as you still need to center it.

2.6



Center the rack left to right using a tape measure. When centered fully tighten the rack to the foot rails starting at one corner and moving to the opposite corner in a criss cross manner. This will keep the rack centered. Fully tighten all remaining bolts.

Finish off by placing the M8 nut caps over all the nuts.



**Tightening Torque:**

M8 : 15-20Nm / 11.06 ft lb - 14.75 ft lb

4

## COMPLETION

4.1

Congratulations! You did it. Take a step back and admire your work!



5

## INSTALL OTHER VEHICLE AND RACK ACCESSORIES

Now's the time to visit your favorite Front Runner dealer in person or online.

### IMPORTANT!

FRONT RUNNER RACK KITS OFTEN HAVE A HIGHER LOAD RATING THAN THE VEHICLES THEY ARE MOUNTED TO. PLEASE REFER TO YOUR SPECIFIC VEHICLE MANUFACTURER FOR A RECOMMENDED ROOF RATING. FRONT RUNNER CANNOT BE RESPONSIBLE FOR IMPROPER LOADING BEYOND THE VEHICLE MANUFACTURER'S STATED LOAD CAPACITY.

Be sure to tag us. We love to see our gear in action! #FrontRunnerOutfitters #BornToRoam

Share your adventures on: 