

START HERE!

READ ME FIRST

Don't be a hero and muscle through this installation without reading these fitting instructions first! Improper installation of this gear may void certain aspects of your warranty.

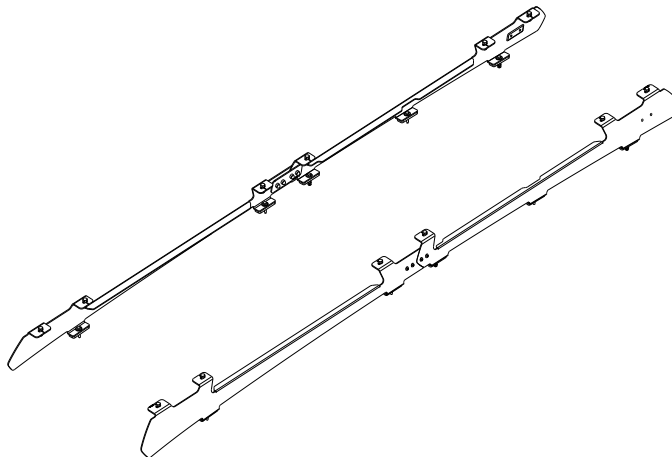
Before you begin, take a moment and open all your Front Runner rack kit boxes and gather the assembly instructions for the various components.

A complete kit will contain:

1. A Front Runner Mounting System specific to your vehicle
2. A Front Runner Rack Tray or Load Bar Slats

This document will guide you through the assembly of the mounting system and assist you in fitting the roof rack tray or load bars to your specific vehicle.

Please refer to the next page for a list of all the components, quantities and tools required.



IMPORTANT WARNING! ⚠

IT IS CRITICAL THAT ALL FRONT RUNNER PRODUCTS BE PROPERLY AND SECURELY ASSEMBLED AND ATTACHED TO YOUR VEHICLE. IMPROPER ATTACHMENT COULD RESULT IN AN AUTOMOBILE ACCIDENT, AND COULD CAUSE SERIOUS BODILY INJURY OR DEATH. YOU ARE RESPONSIBLE FOR ASSEMBLING AND SECURING ALL FRONT RUNNER PRODUCTS TO YOUR VEHICLE, CHECKING THE ATTACHMENTS PRIOR TO USE, AND PERIODICALLY INSPECTING THE PRODUCTS FOR ADJUSTMENT, WEAR AND DAMAGE. THEREFORE, YOU MUST READ AND UNDERSTAND ALL OF THE INSTRUCTIONS AND PRECAUTIONS SUPPLIED WITH YOUR FRONT RUNNER PRODUCT PRIOR TO INSTALLATION OR USE. IF YOU DO NOT UNDERSTAND ALL OF THE INSTRUCTIONS AND CAUTIONS, OR IF YOU HAVE NO MECHANICAL EXPERIENCE AND ARE NOT THOROUGHLY FAMILIAR WITH THE INSTALLATION PROCEDURES, YOU SHOULD HAVE THE PRODUCT INSTALLED BY A PROFESSIONAL INSTALLER OR OTHER QUALIFIED PERSONNEL.

NOTE: Front Runner will not be responsible for any damage caused by the failure to install the product according to these instructions.

Please call us if you have any questions about the installation of this product.

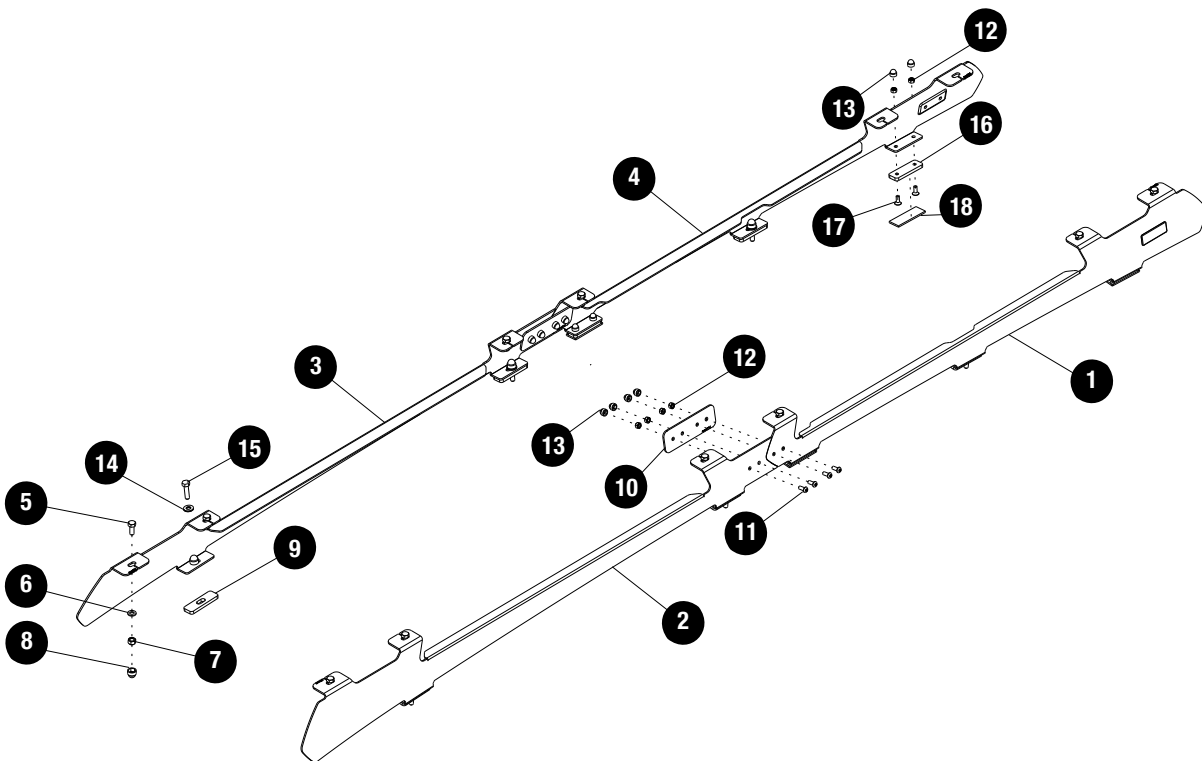


1 GET ORGANIZED

IN THE BOX

1	1 X	Foot Rail Rear LH
2	1 X	Foot Rail Front LH
3	1 X	Foot Rail Front RH
4	1 X	Foot Rail Rear RH
5	12 X	M8 x 20 Hex Bolt
6	12 X	M8 x 16 x 1.6 Flat Washer
7	12 X	M8 Nyloc Nut
8	12 X	M8 Nit Cap
9	10 X	6mm HDPE Spacer
10	2 X	Joiner Plate
11	8 X	M6 x 16 Button Head Bolt
12	8 X	M6 Nyloc Nut
13	8 X	M6 Nut Cap
14	4 X	M6 x 20 x 2 Flat Washer
15	4 X	M6 x 30 Hex Bolt
16	4 X	Spacer
17	8 X	M6 x 16 Counter sun Screw
18	4 X	Double side Tape

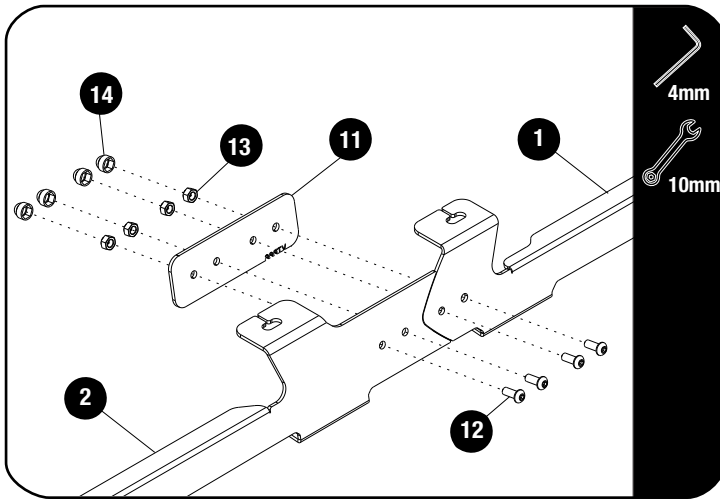
TOOLS NEEDED



2

FIT AND SECURE

2.1



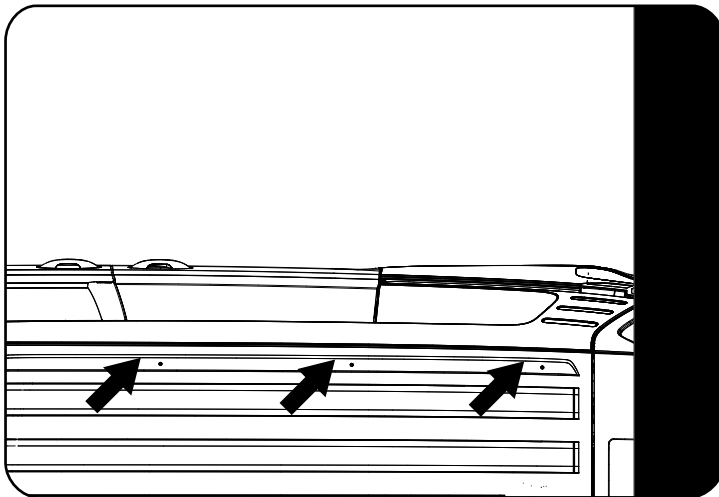
Assemble the Front and Rear Foot Rail (Items 1 & 2) with the Joiner Plate (Item 11) using M6 x 16 Button Head Bolts and M6 Nyloc Nuts (Items 12 & 13) as shown.
Place M6 Nut Caps (Item 14) on the Nyloc Nuts.



Tightening Torque:

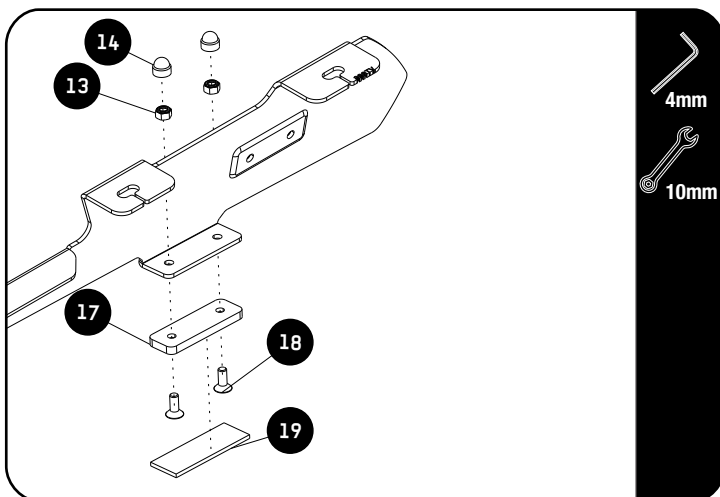
M6 : 8-10Nm / 5.9 ft lb - 7.38 ft lb

2.2



Remove the 6 Factory Fitted Caps.

2.3



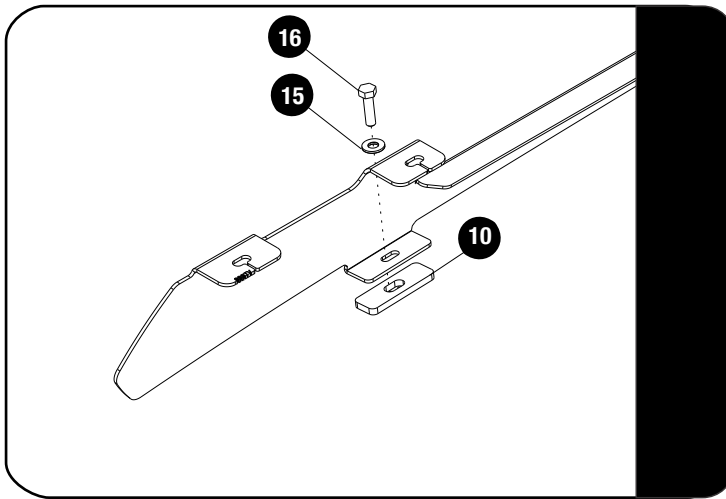
Assemble the Spacer (Item 17) to the Foot Rail using the M6 x 16 counter sunk Bolts together with the M6 Nyloc Nut and M6 Nut Cap (Item 18 , 13 & 14) as shown.

Tighten the bolts.

Place the Double side tape (Item 19) at the bottom of the Spacer.

2**FIT AND SECURE**

2.4

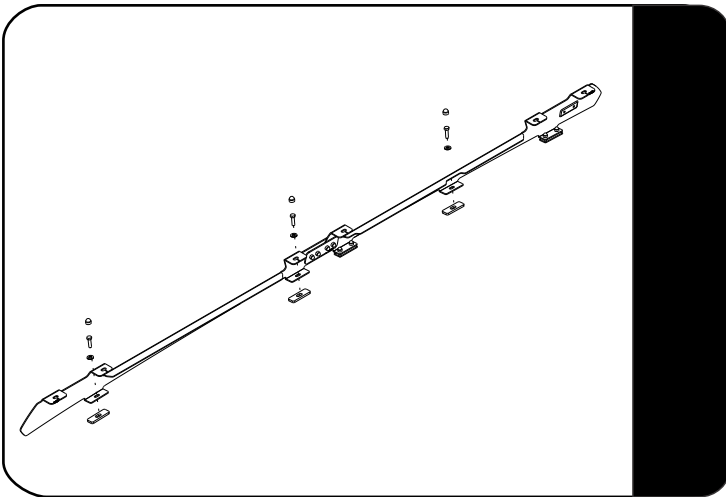


Place a bead of silicone around each of the factory mounting points.

Place 6mm Spacers (Item 10) over each of the factory holes.

Place the assembly from 2.1 onto the spacers.

2.5



Secure the Foot Rail using the M8 x 30 Hex Bolt, M8 x 19 x 2 Flat washer (Item 15 & 16) together with the 6mm Spacer (item 10).

Tighten all the bolts.

3

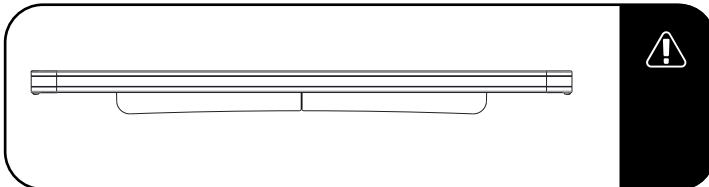
FIT AND SECURE

3.1

Refer to RRSUNI when assembling your Slimline II Tray.

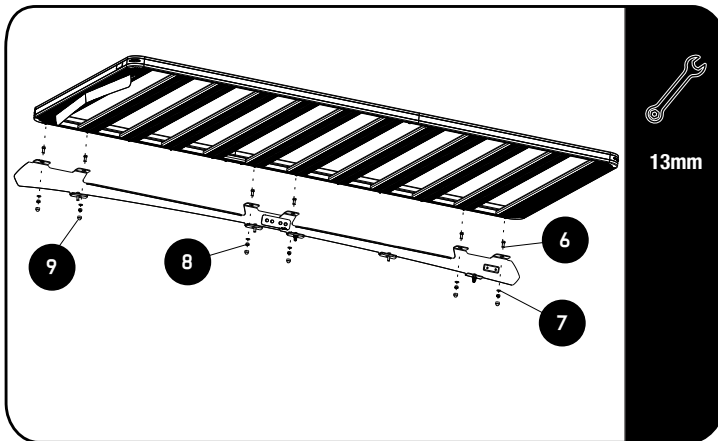


3.2



Make sure that the wind deflector is installed before you proceed to the next step.

3.3



13mm



Fit your roof rack to the Foot Rails using M8 x 20 Hex Bolts, M8 x 16 x 1.6SS Flat Washers and M8 Nyloc Nuts (Items 6,7,8 & 9) as shown.

3.4

Center the rack and tighten fully. Use M8 Nut Caps (Items 10) to finish off the nuts.



4

INSTALL OTHER VEHICLE AND RACK ACCESSORIES

Now's the time to visit your favorite Front Runner dealer in person or online.

IMPORTANT!

FRONT RUNNER RACK KITS OFTEN HAVE A HIGHER LOAD RATING THAN THE VEHICLES THEY ARE MOUNTED TO. PLEASE REFER TO YOUR SPECIFIC VEHICLE MANUFACTURER FOR A RECOMMENDED ROOF RATING. FRONT RUNNER CANNOT BE RESPONSIBLE FOR IMPROPER LOADING BEYOND THE VEHICLE MANUFACTURER'S STATED LOAD CAPACITY.

Be sure to tag us. We love to see our gear in action! #FrontRunnerOutfitters #BornToRoam

Share your adventures on: