

START HERE!

READ ME FIRST

Don't be a hero and muscle through this installation without reading these fitting instructions first! Improper installation of this gear may void certain aspects of your warranty.

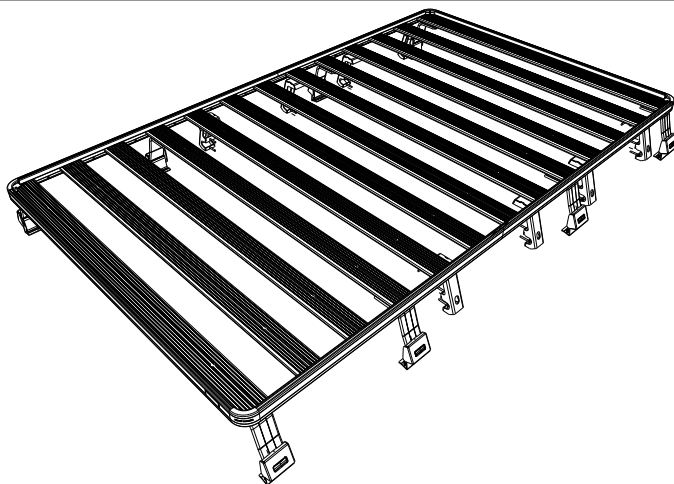
Before you begin, take a moment and open all your Front Runner rack kit boxes and gather the assembly instructions for the various components.

A complete kit will contain:

1. A Front Runner Mounting System specific to your vehicle
2. A Front Runner Rack Tray or Load Bar Slats

This document will guide you through the assembly of the mounting system and assist you in fitting the roof rack tray or load bars to your specific vehicle.

Please refer to the next page for a list of all the components, quantities and tools required.



IMPORTANT WARNING!

IT IS CRITICAL THAT ALL FRONT RUNNER PRODUCTS BE PROPERLY AND SECURELY ASSEMBLED AND ATTACHED TO YOUR VEHICLE. IMPROPER ATTACHMENT COULD RESULT IN AN AUTOMOBILE ACCIDENT, AND COULD CAUSE SERIOUS BODILY INJURY OR DEATH. YOU ARE RESPONSIBLE FOR ASSEMBLING AND SECURING ALL FRONT RUNNER PRODUCTS TO YOUR VEHICLE, CHECKING THE ATTACHMENTS PRIOR TO USE, AND PERIODICALLY INSPECTING THE PRODUCTS FOR ADJUSTMENT, WEAR AND DAMAGE. THEREFORE, YOU MUST READ AND UNDERSTAND ALL OF THE INSTRUCTIONS AND PRECAUTIONS SUPPLIED WITH YOUR FRONT RUNNER PRODUCT PRIOR TO INSTALLATION OR USE. IF YOU DO NOT UNDERSTAND ALL OF THE INSTRUCTIONS AND CAUTIONS, OR IF YOU HAVE NO MECHANICAL EXPERIENCE AND ARE NOT THOROUGHLY FAMILIAR WITH THE INSTALLATION PROCEDURES, YOU SHOULD HAVE THE PRODUCT INSTALLED BY A PROFESSIONAL INSTALLER OR OTHER QUALIFIED PERSONNEL.

NOTE: Front Runner will not be responsible for any damage caused by the failure to install the product according to these instructions.

Please call us if you have any questions about the installation of this product.

1

GET ORGANIZED

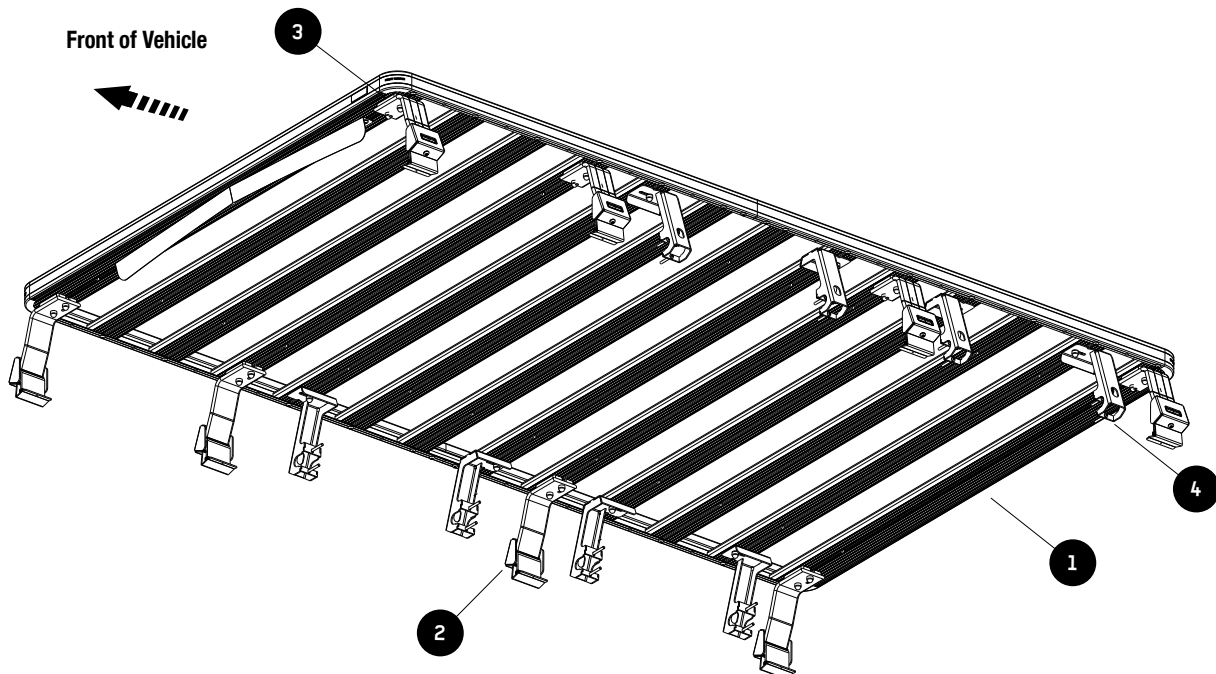
IN THE BOX

1	1 X	Slimline II Tray - 1575mm(W) X 1964mm(L)
2	4 X	LASS107 (Pair)
3	4 X	Spacer (Pair)
4	1 X	Ineos Grenadier Grab Handle Mounting Brackets / Set

TOOLS NEEDED



FIGURE 1.1



1

GET ORGANIZED

SPACER & LEG ASSEMBLY

IN THE BOX

LASS047 & LASS040

1	2 X	Leg
2	2 X	Gutter Clamp
3	2 X	M8 Schnorr Washer
4	2 X	M8 x 30 Button Head Bolt
5	4 X	M8 x 25 Hex Bolt (NOT USED)
6	4 X	M8 Nyloc Nut
7	4 X	M8 Nut Cap
8	2 X	Spacer
9	4 X	M8 x 35 Hex Bolt

TOOLS NEEDED

LASS047 & LASS040



FIGURE 1.2 - LEG ASSEMBLY

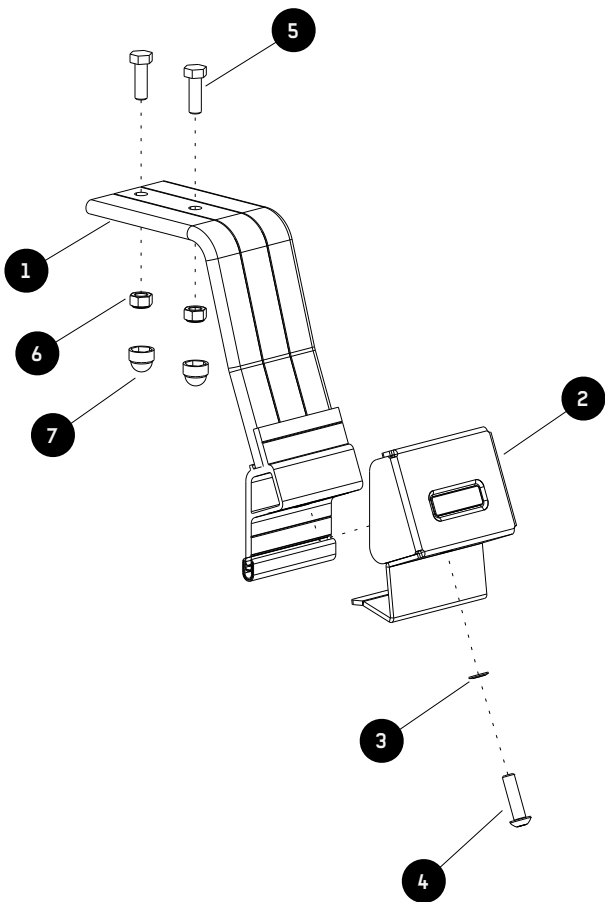
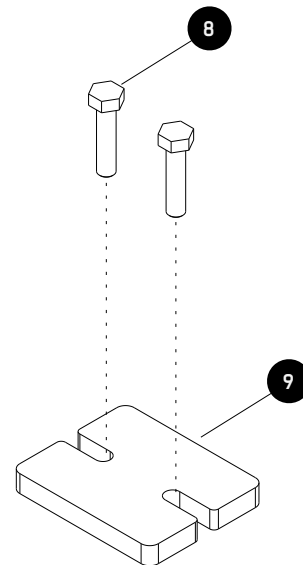


FIGURE 1.3 - SPACER ASSEMBLY



1 GET ORGANIZED GRAB HANDLE BRACKETS

IN THE BOX

FAIG001

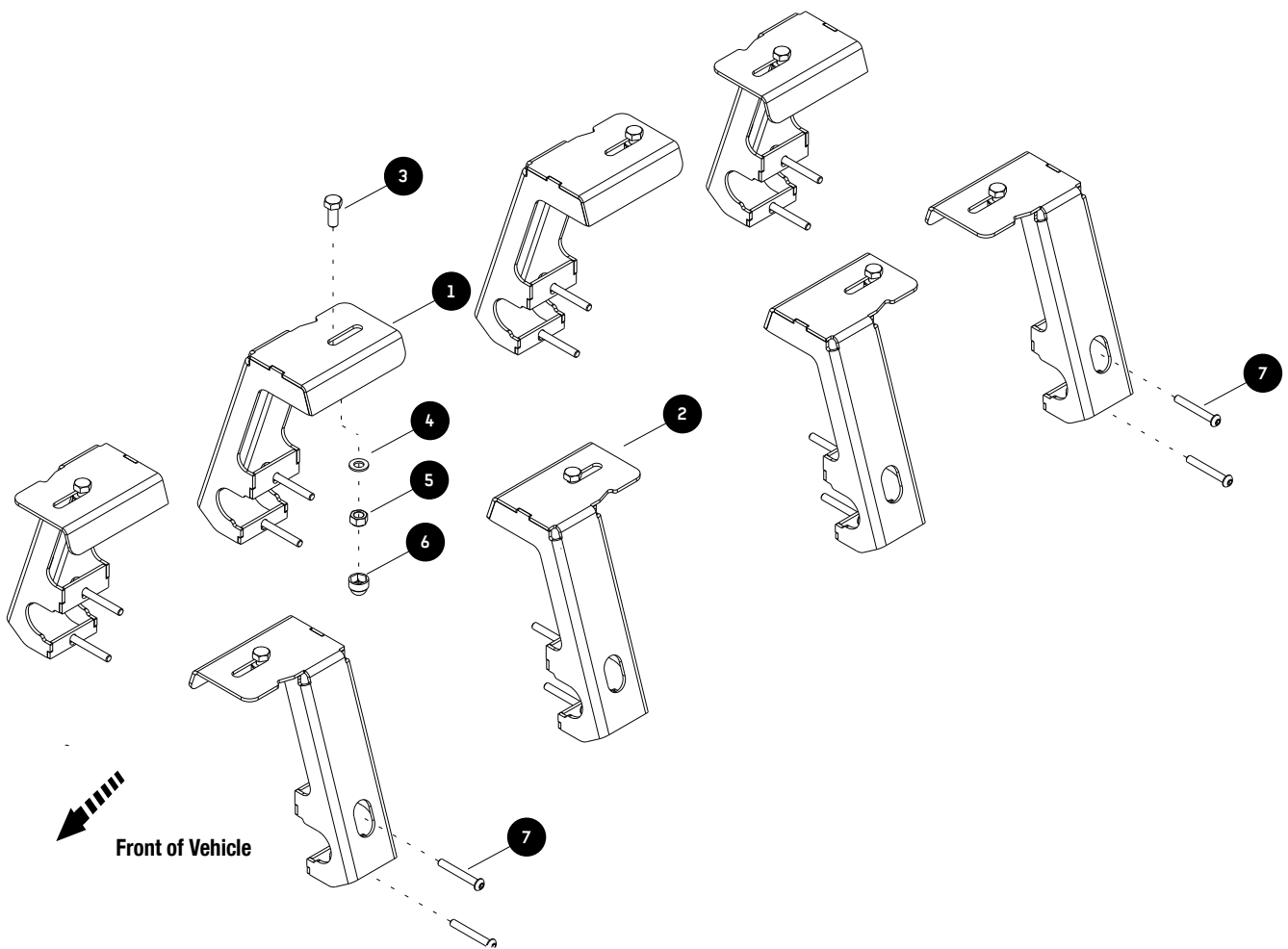
1	4 X	Mounting Foot RH
2	4 X	Mounting Foot LH
3	8 X	M8 x 20 Hex Bolt
4	8 X	M8 Flat Washer
5	8 X	M8 Nyloc Nut
6	8 X	M8 Nut Cap
7	16 X	M6 x 45 Button Head Bolt

TOOLS NEEDED

FAIG001



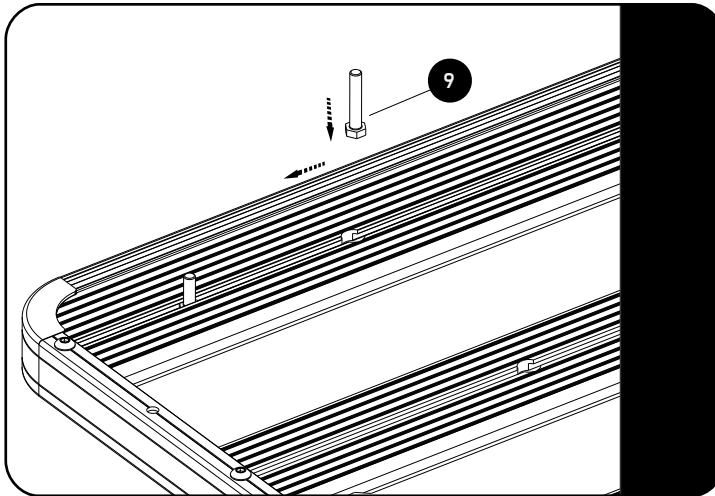
FIGURE 1.4



2

FIT AND SECURE - LEG & SPACER ASSEMBLY

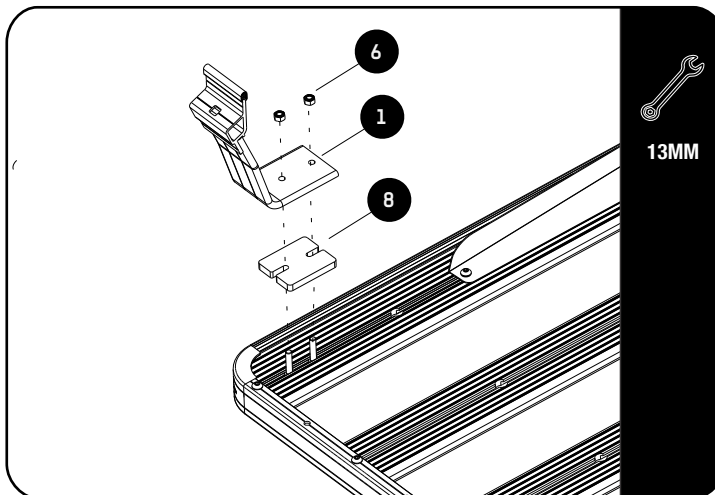
2.1



Slide two M8 x 35 Hex Bolts (Item 9) into the Slats machined slots on the underside of the rack.

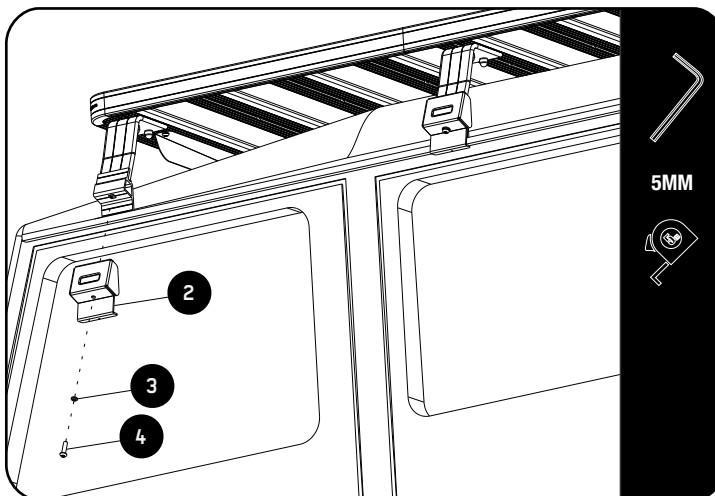
Refer to Figure 1.1 for positions where the Legs will be mounted

2.2



Loosely fit the Legs and Spacers (Item 1 & 8) using the M8 Nyloc Nuts (Item 6).

2.3



Place the assembled Tray with Legs onto the vehicle's gutters.

Position the rear most Leg as far back as possible.



The Tray may need to be adjusted backwards or forwards when you fit the Grab Handle Brackets. (Figure 1.4)

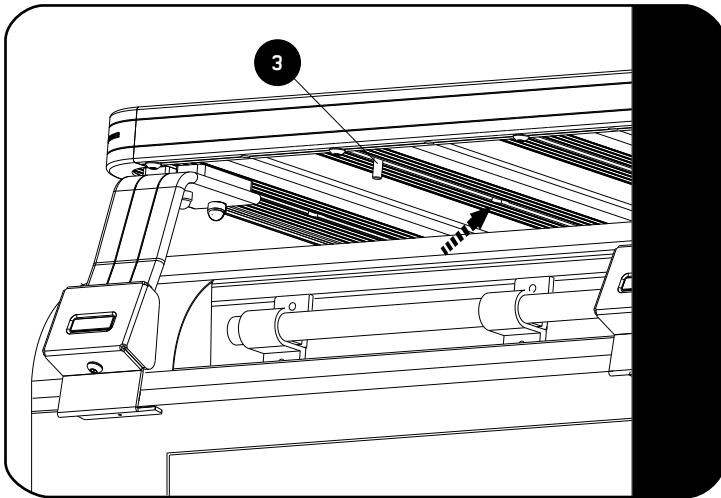
Loosely Secure the Gutter Clamps (Item 2) using M8 x 30 Button Heads and M8 Scnrwr Washers (Items 3 & 4).

Using a tape measure, centralize the rack on the roof of the vehicle.

3

FIT AND SECURE - GRAB HANDLE BRACKETS

3.1

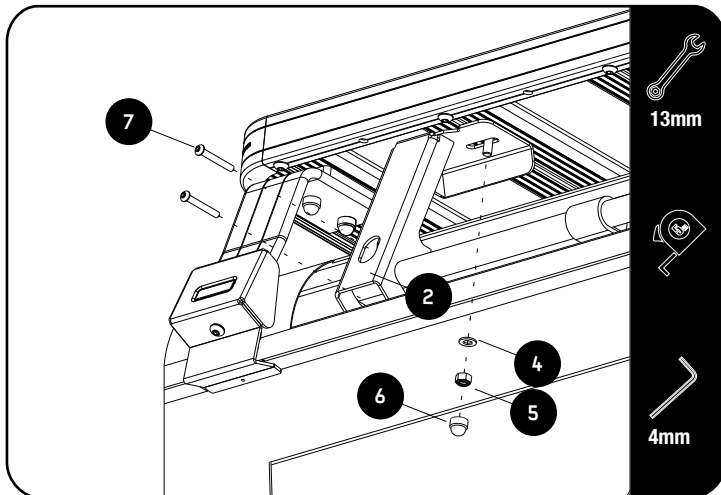


Slide M8 x 20 Hex Bolts (Item 3) into the machined slots on the 2nd, 6th & 9th slats from the rear.

Referring to 2.3, remove the torx screws from the grab handle mountings on position A, B, C & D.

Do this on both sides of the vehicle.

3.2



Loosely fit the Mounting Feet (Item 2) using M8 Flat Washers, M8 Nyloc Nuts and M6 x 45 Button Head Bolts (Items 4, 5 & 7) as shown.

! If you have the SLII tray already fitted, you may need to loosen the legs slightly to lift the tray.

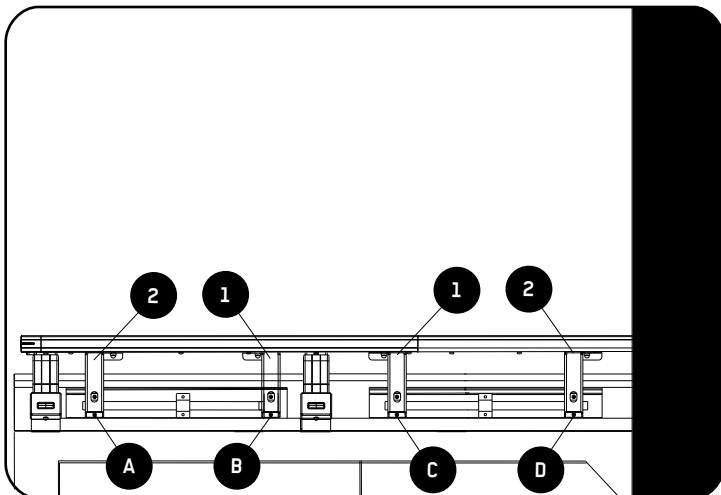
Refer to Figure 1.1 for position of the Mounting Feet.

Center the tray left to right before fully tightening all the fasteners.

Ensure that the Leg Clamps are also fully tightened

Please M8 Nut Caps (Item 6 & 7) on all the M8 Nyloc Nuts.

3.3



! **Tightening Torque:**
M6 : 8-10Nm / 5.9 ft lb - 7.38 ft lb

! **Tightening Torque:**
M8 : 15-20Nm / 11.06 ft lb - 14.75 ft lb

4

FINISH

Congratulations! You did it. Take a step back and admire your work!

5

INSTALL OTHER VEHICLE AND RACK ACCESSORIES

Now's the time to visit your favorite Front Runner Dealer in person or online.

Be sure to tag us. We love to see our gear in action! #FrontRunnerOutfitters #BornToRoam

Share your adventures on: 