



READ ME FIRST:

Thank you for purchasing a Front Runner Slimline II Load Bed Rack or Load Bar Kit.

Your Kit will contain the following items:

- 1.) A Slimline II Tray or Load Bar set
- 2.) Universal Load Bed Legs
- 3.) Bed Rail Nut Kit

This document will help you fit the Slimline II Tray or Load Bars to your specific vehicle. If you are mounting a Slimline II Tray, Please continue with Section 1. If you are fitting Load Bars, please refer to Section 2.



1 INSTALLATION OF SLIMLINE II TRAY



INSTALL TIME: 15 mins

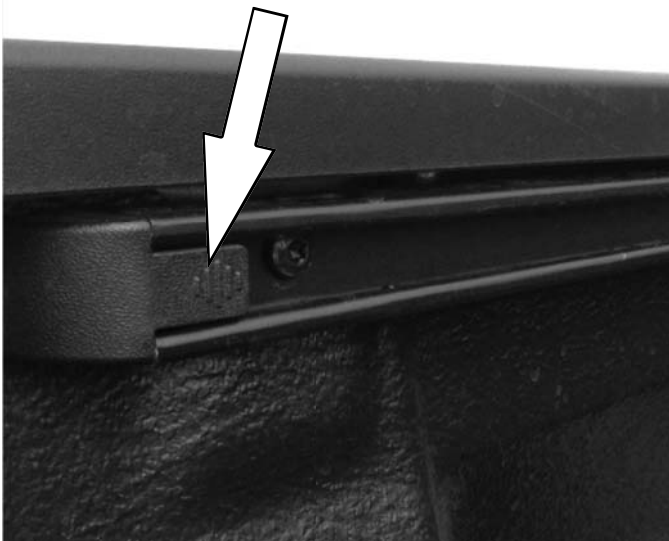


Note: When assembling the Legs, discard the Fittings Instructions received with the Legs (Document LASS026) and assemble the Legs as per Assembly Instructions received with your Nut Kit (RRAC901). Not all the components received with the Legs will be used as they will be replaced by the Nut Kit.

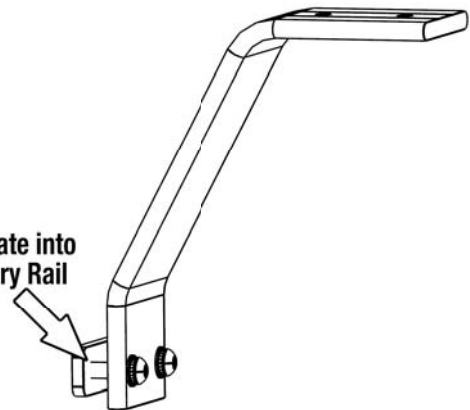
If your Slimline II Tray is not already assembled, assemble it as per the Slimline II Tray Universal Assembly Instruction (Document RRSUNI).

(A)

Remove End Cap and Slide two Leg Assemblies into each Rail

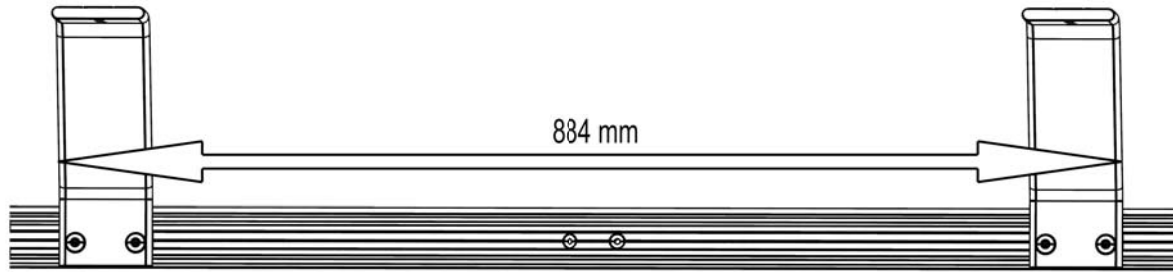


Nut Plate into Factory Rail

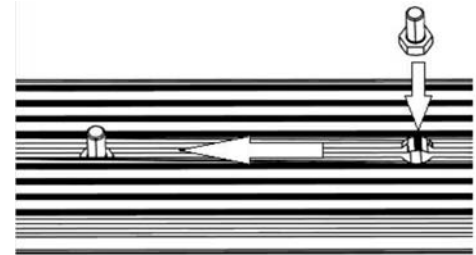


1 INSTALLATION OF SLIMLINE II TRAY CONT...

- (B) Adjust the two leg assemblies either side of the Midpoint of the factory rails so that they are 884 mm apart - outside to outside as shown below.



- (C) With your Rack in the upside down position (Product Sticker should be upside down) and working with the second Slat in, both front and rear, slide two M8 x 25 Hex Bolts supplied with the Universal Load Bed Legs into each end of the Slat using the machined Slots as shown.



- (D) Grab your friend and with one of you on each side of the Rack, flip it end over end so that the bolts are facing down. Approach the vehicle from the rear lifting the Rack above the Legs. Slowly lower the Rack lining up the bolts in the Rack with the holes in the Legs. You may need to adjust the position of the Legs.

Position the Rack front to back and fasten the bolts securing the Legs to the Tracks.

Place M8 Flat Washers and M8 Nyloc Nuts onto the Bolts securing the Rack to the Legs and hand tighten. Center the Rack Left to Right. Apply weight/downward pressure to the Rack so that the Slats are sitting flush onto the Legs and fasten the M8 Nyloc Nuts securing the Rack to the Legs.

Congratulations, you have completed your installation. Take a step back and admire your work. Good Job!

2 INSTALLATION OF LOAD BARS

🕒 INSTALL TIME: 15 mins



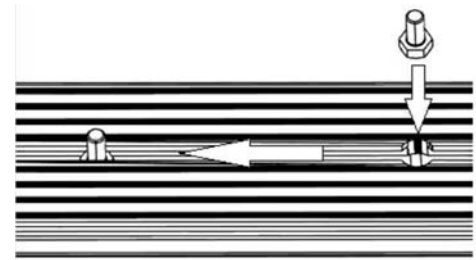
Note: When assembling the Legs, discard the Fittings Instructions received with the Legs (Document LASS026) and assemble the Legs as per Assembly Instructions received with your Nut Kit (RRAC901). Not all the components received with the Legs will be used as they will be replaced by the Nut Kit.

(A)

Remove End Cap and Slide two Leg Assemblies into each Rail



- (B) Slide two M8 x 25 Hex Bolts supplied with the Universal Load Bed Legs into each end of the Load Bars using the machined slots as shown.



- (C) Position the Load Bay Legs as required and secure in position. Turn the Load Bars over so that the Bolts inserted in Step 2A are facing down. Lower the Load Bars onto the Legs, lining up the bolts in the Load Bars with the holes in the Legs. You may need to adjust the position of the Bolts.

Place M8 Flat Washers and M8 Nyloc Nuts onto the Bolts securing the Load Bars to the Legs and hand tighten. Center the Load Bars Left to Right. Apply weight/downward pressure to the Load Bars so that they are sitting flush onto the Legs and fasten the M8 Nyloc Nuts securing the Rack to the Legs.

Congratulations, you have completed your installation. Take a step back and admire your work. Good Job!