**READ ME !** ⚠

Thank you for purchasing a Front Runner Wolf Pack Pro Cargo System Bracket.

Before you start, take a moment to familiarize yourself with the Fitting Instructions and the included components.

Refer to Page 2 for a list of all the components, quantities and tools required.

**IMPORTANT WARNING!** ⚠

IT IS CRITICAL THAT ALL FRONT RUNNER PRODUCTS BE PROPERLY AND SECURELY ASSEMBLED AND ATTACHED TO YOUR VEHICLE. IMPROPER ATTACHMENT COULD RESULT IN AN AUTOMOBILE ACCIDENT, AND COULD CAUSE SERIOUS BODILY INJURY OR DEATH. YOU ARE RESPONSIBLE FOR ASSEMBLING AND SECURING ALL FRONT RUNNER PRODUCTS TO YOUR VEHICLE, CHECKING THE ATTACHMENTS PRIOR TO USE, AND PERIODICALLY INSPECTING THE PRODUCTS FOR ADJUSTMENT, WEAR AND DAMAGE. THEREFORE, YOU MUST READ AND UNDERSTAND ALL OF THE INSTRUCTIONS AND PRECAUTIONS SUPPLIED WITH YOUR FRONT RUNNER PRODUCT PRIOR TO INSTALLATION OR USE. IF YOU DO NOT UNDERSTAND ALL OF THE INSTRUCTIONS AND CAUTIONS, OR IF YOU HAVE NO MECHANICAL EXPERIENCE AND ARE NOT THOROUGHLY FAMILIAR WITH THE INSTALLATION PROCEDURES, YOU SHOULD HAVE THE PRODUCT INSTALLED BY A PROFESSIONAL INSTALLER OR OTHER QUALIFIED PERSONNEL.

**NOTE:** Front Runner will not be responsible for any damage caused by the failure to install the product according to these instructions.

Please call us if you have any questions about the installation of this product.



# 1 GET ORGANIZED

## IN THE BOX

1	2 X	Mounting Bracket
2	2 X	Secure Bracket
3	2 X	M8 Nylon Washer
4	2 X	M8 Eye Nut
5	2 X	M8x50 Hex Bolt
6	4 X	M8 Flat Washer
7	4 X	M8 Nylock Nut
8	4 X	M8 Plastic Nut Cap
9	4 X	M8x20 Hex Bolt
10	2 X	M8 Thin Nut

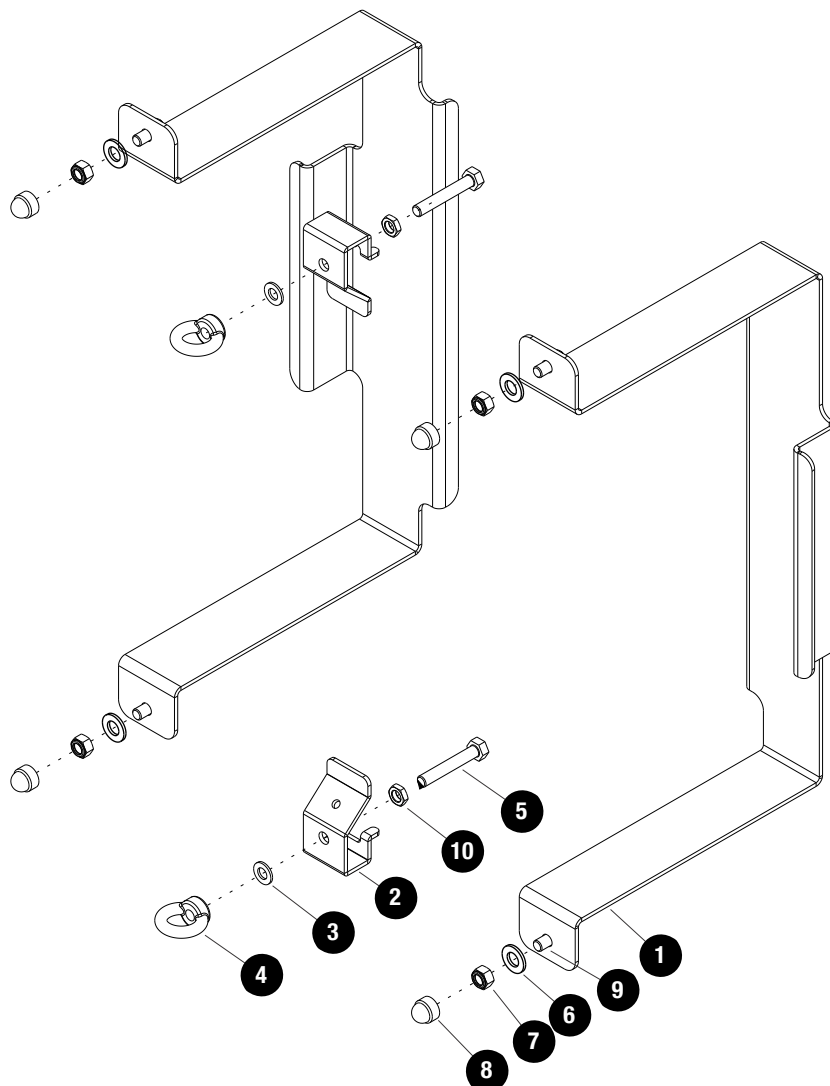
## TOOLS NEEDED



13mm

Torque Wrench

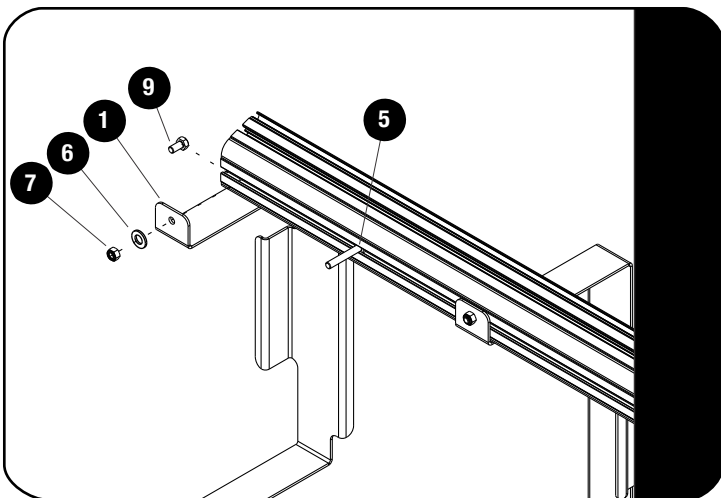
FIGURE 1.1



## 2

## FIT AND SECURE

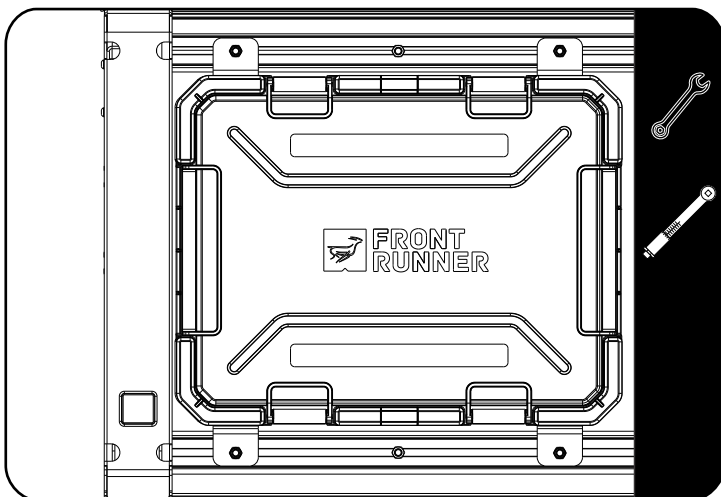
2.1



Slide an M8x20 Hex Bolt (Item 9), followed by an M8x50 Hex Bolt (Item 5), followed by another M8x20 Hex Bolt (Item 9) into the top profile of your Pro Bed Rack. Repeat the above step sliding the fasteners into the bottom profile.

Loosely fit the mounting brackets (Item 1) as shown using the M8 Flat Washers (Item 6) and the M8 Nyloc Nuts (Item 7).

2.2



Insert your Wolf Pack Pro as shown in Fig 2.2. and space the brackets accordingly. Tighten the M8 Nyloc Nuts and add the M8 Nut Caps (Item 8) to the M8 Nyloc Nuts.

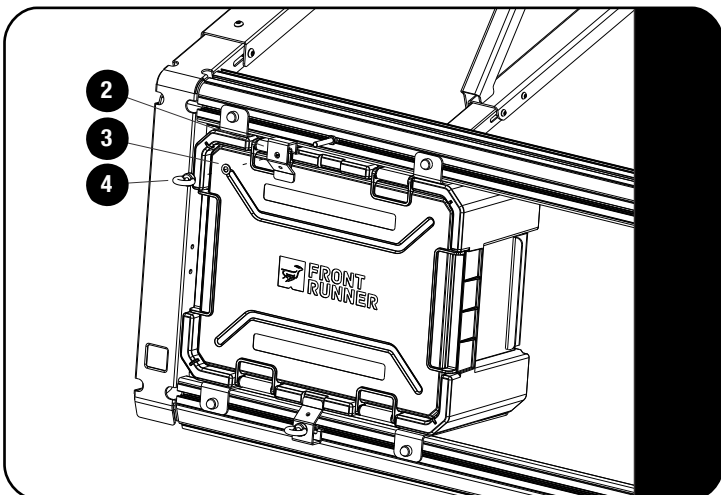
Ensure the M8x50 Hex Bolts are centred between the M8x16 Hex Bolts and fasten the M8x50 Hex Bolts with the M8 Thin Nuts (Item 10).



### Tightening Torque:

M8 : 15-20Nm / 11.06 ft lb - 14.75 ft lb

2.3



Insert the top and bottom Secure Brackets (Item 2), M8 Nylon Washers (Item 3) and the M8 Eye Nuts (Item 4) on to the M8x50 Hex Bolts as seen in Fig 2.3.

**Note:** For added security, you can use RRAC134 (Rack Accessory Lock). This gets used to secure the Eye Nut to the hole in the Secure Bracket.

**3**

### **FINISH**

**Congratulations! You did it. Take a step back and admire your work!**

**4**

### **INSTALL OTHER VEHICLE AND RACK ACCESSORIES**

**Now's the time to visit your favorite Front Runner Dealer in person or online.**

**Be sure to tag us. We love to see our gear in action! #FrontRunnerOutfitters #BornToRoam**

**Share your adventures on:** 