

# START HERE! READ ME FIRST

Don't be a hero and muscle through this installation without reading these fitting instructions first! Improper installation of this gear may void certain aspects of your warranty.

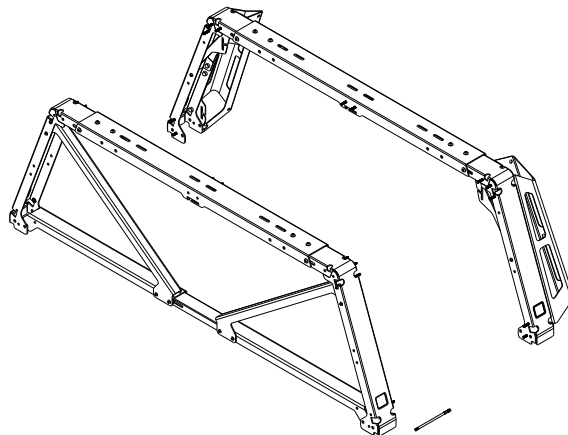
Before you begin, take a moment and open all your Front Runner rack kit boxes and gather the assembly instructions for the various components.

A complete kit will contain:

1. A Front Runner Mounting System specific to your vehicle
2. A Front Runner Rack Tray or Load Bar Slats

This document will guide you through the assembly of the mounting system and assist you in fitting the roof rack tray or load bars to your specific vehicle.

Please refer to the next page for a list of all the components, quantities and tools required.



## IMPORTANT WARNING! ⚠️

IT IS CRITICAL THAT ALL FRONT RUNNER PRODUCTS BE PROPERLY AND SECURELY ASSEMBLED AND ATTACHED TO YOUR VEHICLE. IMPROPER ATTACHMENT COULD RESULT IN AN AUTOMOBILE ACCIDENT, AND COULD CAUSE SERIOUS BODILY INJURY OR DEATH. YOU ARE RESPONSIBLE FOR ASSEMBLING AND SECURING ALL FRONT RUNNER PRODUCTS TO YOUR VEHICLE, CHECKING THE ATTACHMENTS PRIOR TO USE, AND PERIODICALLY INSPECTING THE PRODUCTS FOR ADJUSTMENT, WEAR AND DAMAGE. THEREFORE, YOU MUST READ AND UNDERSTAND ALL OF THE INSTRUCTIONS AND PRECAUTIONS SUPPLIED WITH YOUR FRONT RUNNER PRODUCT PRIOR TO INSTALLATION OR USE. IF YOU DO NOT UNDERSTAND ALL OF THE INSTRUCTIONS AND CAUTIONS, OR IF YOU HAVE NO MECHANICAL EXPERIENCE AND ARE NOT THOROUGHLY FAMILIAR WITH THE INSTALLATION PROCEDURES, YOU SHOULD HAVE THE PRODUCT INSTALLED BY A PROFESSIONAL INSTALLER OR OTHER QUALIFIED PERSONNEL.

**NOTE:** Front Runner will not be responsible for any damage caused by the failure to install the product according to these instructions.

Please call us if you have any questions about the installation of this product.



# 1 GET ORGANIZED

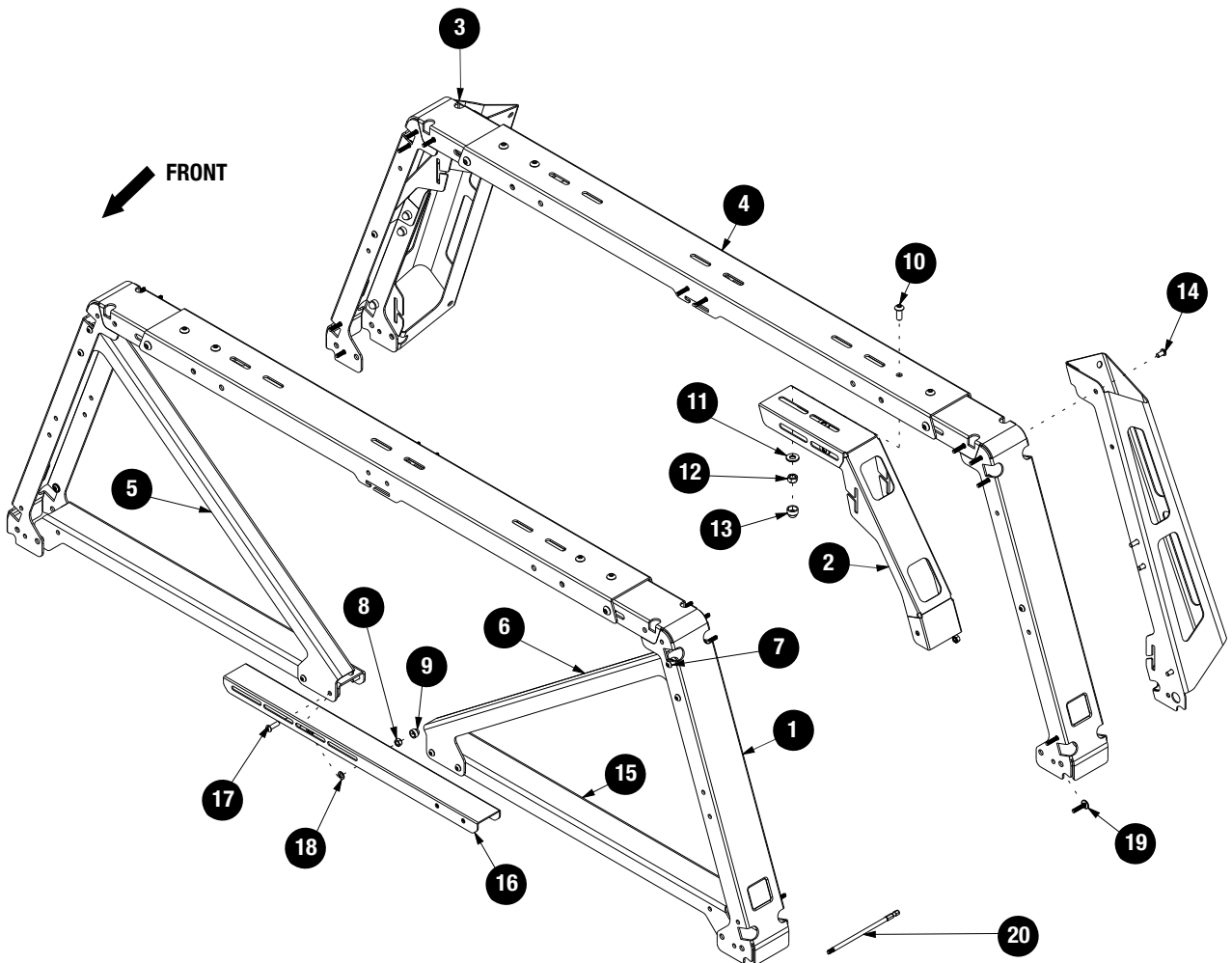
## IN THE BOX

1	4 X	Leg
2	2 X	Pro Bed Rack Support Bracket
3	2 X	Pro Bed Rack rear Coner Bracket
4	2 X	Pro Bed Rack Cross Member
5	1 X	Pro Bed Rack Front Support Bracket - LH
6	1 X	Pro Bed Rack Front Support Bracket - RH
7	12 X	M6 x 16 Button Head Screw
8	22 X	M6 Nyloc Nut
9	22 X	M6 Nut Cap
10	16 X	M8 x 20 Button Head Bolt
11	16 X	M8 x 19 x 2 Flat Washer
12	16 X	M8 Nyloc Nut
13	16 X	M8 Nut Cap

## IN THE BOX

14	6 X	M6 x 12 Button Head Socket Screw
15	2 X	Front Horizontal Support Bracket
16	1 X	Center Brace
17	4 X	M6 x 20 Button HD Socket Screw
18	8 X	M6 x 12 x 1 Flat Washer
19	24 X	M6 x 25 Thread Forming Screw
20	1 X	Torx Bit 6" (150mm) - T30

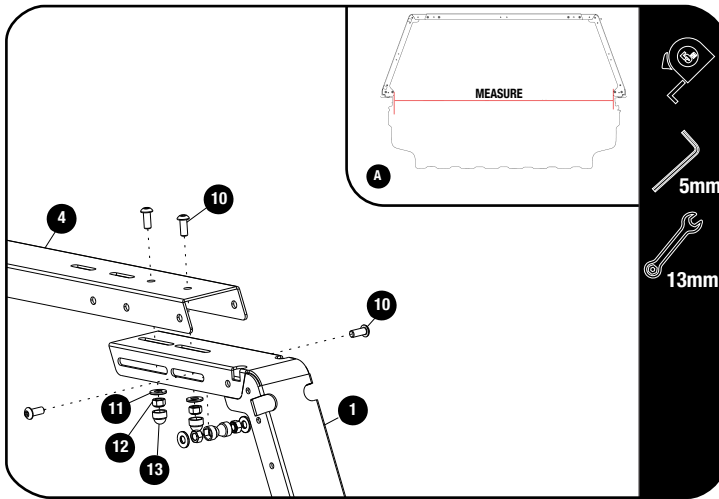
## TOOLS NEEDED



2

**FIT AND SECURE**

2.1



Start by laying out all the components on a suitable surface.

Measure the inside width of your load bed using diagram A as reference. Assemble the Legs (Item 1) and Crossbars (Item 4) as shown using the appropriate slots for your loadbed width with M8 x 20 Button Head Bolt (Item 10), M8 x 19 x 2 Flat Washer (Item 11) and M8 Nyloc Nut (Item 12).

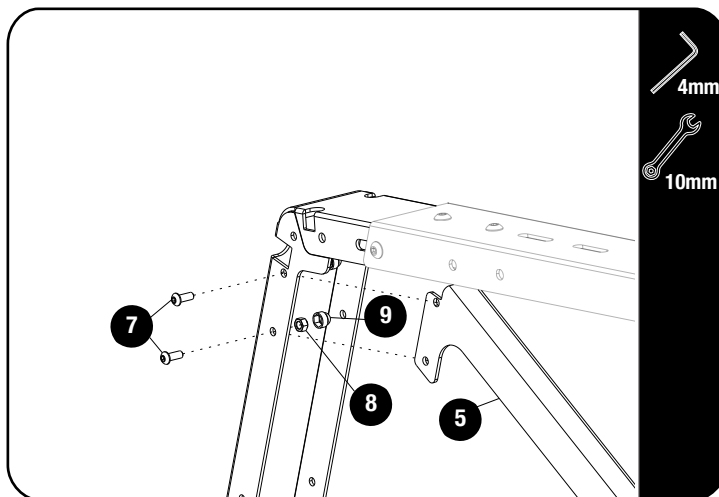
Do this with both front and rear leg assemblies

**DO NOT FULLY TIGHTEN**, the crossmembers must still be able to slide in the slots for now.



**REFER TO PBAL FITMENT GUIDE FOR SIDE RAIL FITMENT.**

2.2

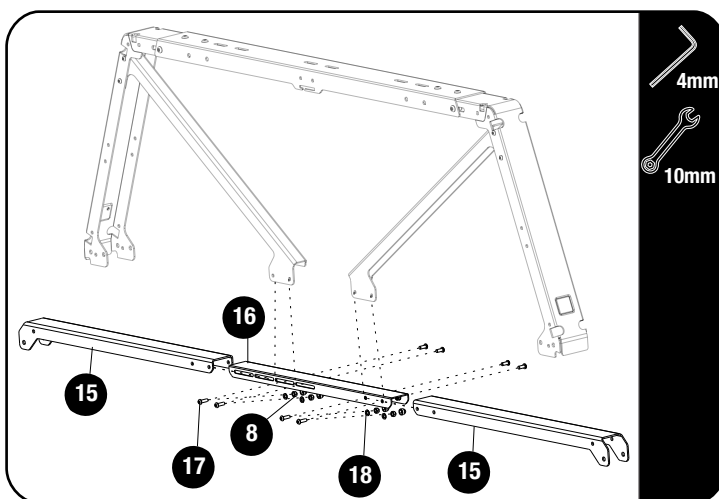


Assemble the Pro Bed Rack Front Support Bracket (Item 5) to the Front Leg Assembly done in 2.1 using the M6 x 16 Button head bolt (Item 7) and M6 Nyloc Nut (Item 8).

Do this to both Left and Right.

**FULLY TIGHTEN**

2.3



Loosely assemble the vehicle specific mounting brackets, refer to fitment guide supplied.

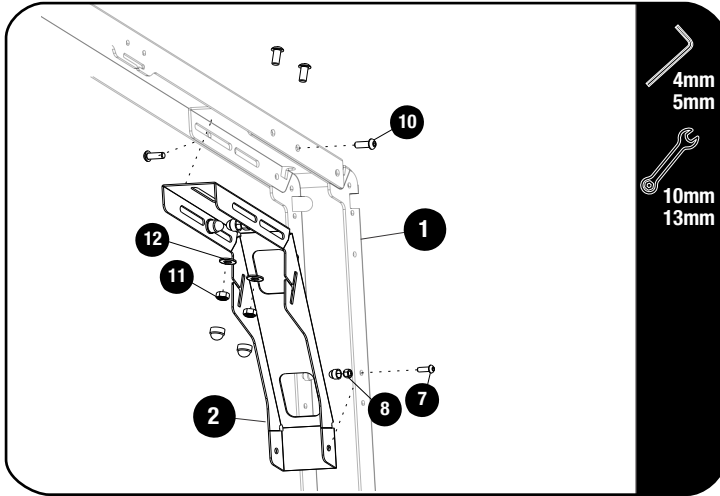
Assemble the Front Horizontal Support Bracket (Item 15) and the Center Brace (Item 16) to the Assembly of 2.2 using the M6 x 20 Button Head bolts (Item 17), M6 x 12 x 1 Flat washer (Item 18) and M6 Nyloc Nut (Item 8).

Do not fully Tighten Item 17 Screws so that the frame is still able to slide open and closed.

**2**

**FIT AND SECURE**

2.4



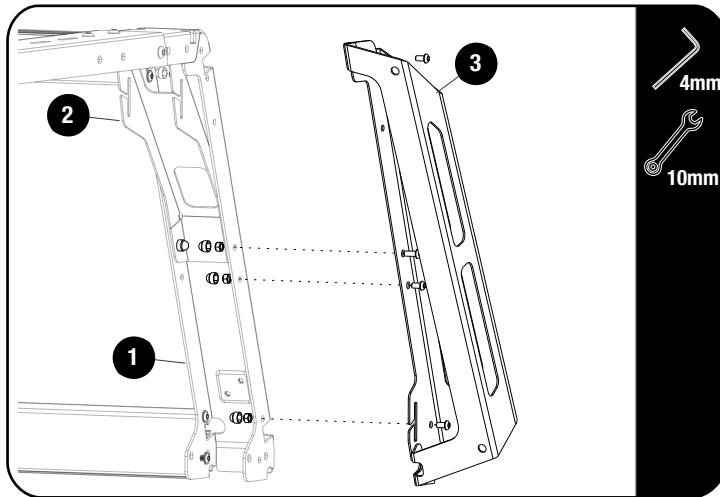
4mm  
5mm  
10mm  
13mm



Slide the Pro Bed Rack Support Bracket (Item 2) in to the Leg (Item 1) using the M8 x 20 Button Head bolt, M8 x 19 x 2 Flat washer and M8 Nyloc Nut (Item 10,11&12)

Use the M6 x 12 Button Head Bolt with the M6 Nyloc Nut at the bottom of the bracket (Item 7 & 8) Do not Fully Tighten.

2.5

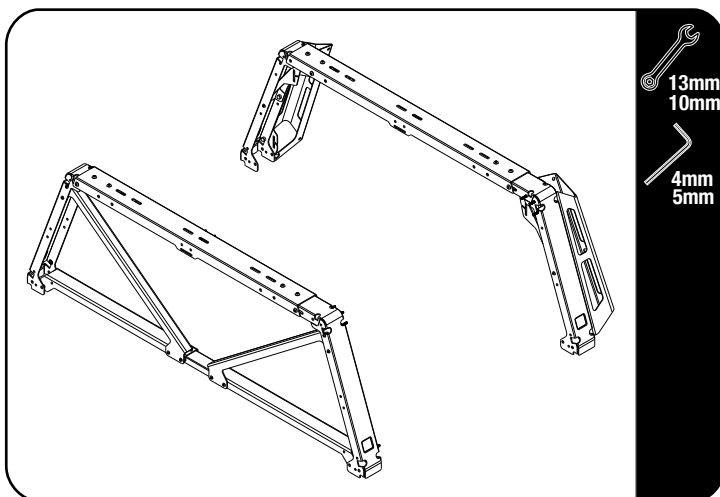


4mm  
10mm



Fit the Pro Bed Rack rear Corner Bracket (Item 3) in to the Leg Assembly (Item 1 and 2) Use the M6 x 12 Button Head Bolt with the M6 Nyloc Nut (Item 7 & 8). Do not Fully Tighten.

2.6



13mm  
10mm  
4mm  
5mm



With all the brackets in place tighten all the M8 and M6 bolts and place Nut caps where needed.



3

### COMPLETION

3.1

Congratulations! You did it. Take a step back and admire your work!



4

### INSTALL OTHER VEHICLE AND RACK ACCESSORIES

Now's the time to visit your favorite Front Runner dealer in person or online.

### IMPORTANT!

FRONT RUNNER RACK KITS OFTEN HAVE A HIGHER LOAD RATING THAN THE VEHICLES THEY ARE MOUNTED TO. PLEASE REFER TO YOUR SPECIFIC VEHICLE MANUFACTURER FOR A RECOMMENDED ROOF RATING. FRONT RUNNER CANNOT BE RESPONSIBLE FOR IMPROPER LOADING BEYOND THE VEHICLE MANUFACTURER'S STATED LOAD CAPACITY.

Be sure to tag us. We love to see our gear in action! #FrontRunnerOutfitters #BornToRoam

Share your adventures on: 