



**FRONT RUNNER**

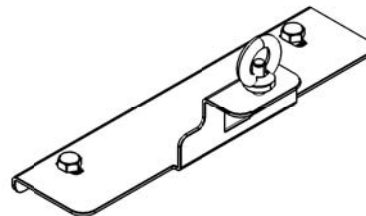
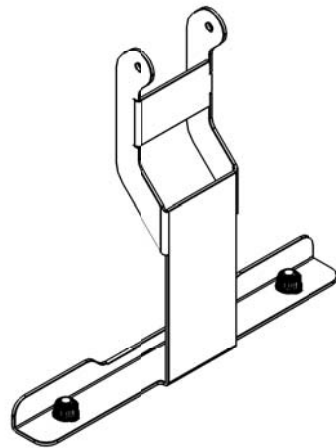
**45L PLASTIC WATER TANK  
OPTIONAL MOUNTING BRACKETS**

**ENG**

RRAC042



**INSTALL TIME: 15 mins**



### **IMPORTANT WARNING!**

**IT IS CRITICAL THAT ALL FRONT RUNNER PRODUCTS BE PROPERLY AND SECURELY ASSEMBLED AND ATTACHED TO YOUR VEHICLE. IMPROPER ATTACHMENT COULD RESULT IN AN AUTOMOBILE ACCIDENT, AND COULD CAUSE SERIOUS BODILY INJURY OR DEATH TO YOU OR TO OTHERS. YOU ARE RESPONSIBLE FOR ASSEMBLING AND SECURING ALL FRONT RUNNER PRODUCTS TO YOUR VEHICLE, CHECKING THE ATTACHMENTS PRIOR TO USE, AND PERIODICALLY INSPECTING THE PRODUCTS FOR ADJUSTMENT, WEAR, AND DAMAGE. THEREFORE, YOU MUST READ AND UNDERSTAND ALL OF THE INSTRUCTIONS AND CAUTIONS SUPPLIED WITH YOUR FRONT RUNNER PRODUCT PRIOR TO INSTALLATION OR USE. IF YOU DO NOT UNDERSTAND ALL OF THE INSTRUCTIONS AND CAUTIONS, OR IF YOU HAVE NO MECHANICAL EXPERIENCE AND ARE NOT THOROUGHLY FAMILIAR WITH THE INSTALLATION PROCEDURES, YOU SHOULD HAVE THE PRODUCT INSTALLED BY A PROFESSIONAL INSTALLER OR OTHER QUALIFIED PERSONNEL.**

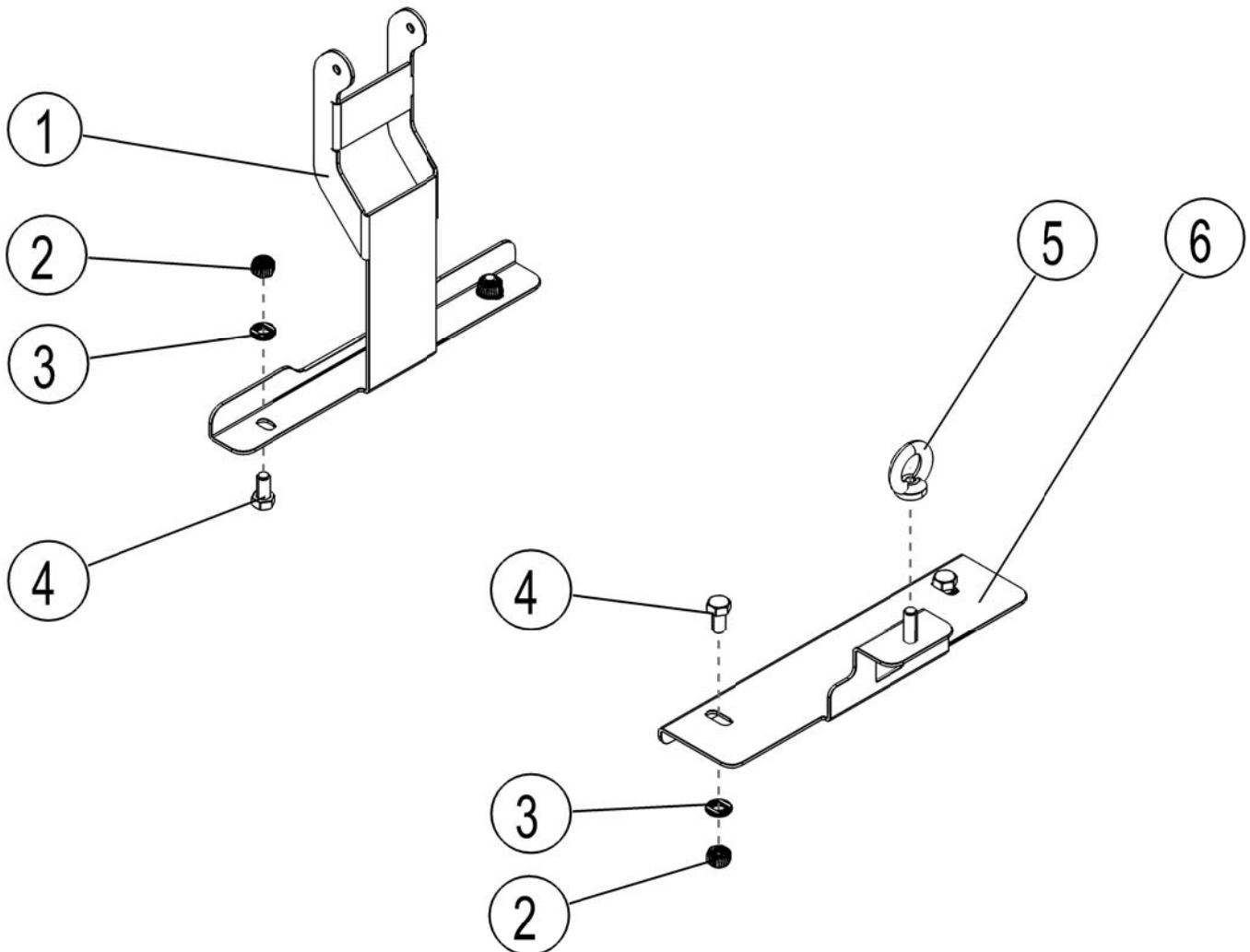
# 1 GET ORGANIZED

Here is what you are looking at:

Item #	Quantity	DESCRIPTION
1	1	REPLACEMENT REAR STRAP
2	4	M8 NYLOC NUT (2 Supplied with WTAN030)
3	4	M8 FLAT WASHER (2 Supplied with WTAN030)
4	4	M8 x 16 HEX BOLT (2 Supplied with WTAN030)
5	1	M8 EYE NUT (Supplied with WTAN030)
6	1	FRONT MOUNTING BRACKET
7	4	M8 NUT CAP - Not Pictured (2 Supplied with WTAN030)

**You will need:**

- 10 mm Flat or Socket Wrench
- 13 mm Flat or Socket Wrench
- 4 mm Hex Key
- Measuring Tape

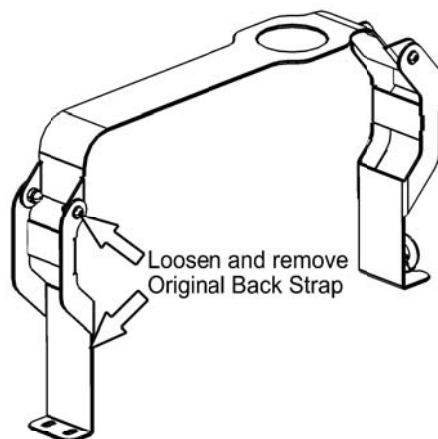


**(A)** Familiarize yourself with the parts and then step away from the work area and read through these instructions from beginning to end. Take a moment as a little prep now may save you a lot of time later.

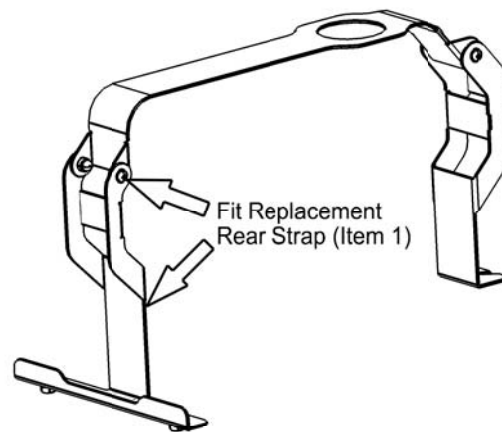
## 2 PREPARE FOR FITMENT

- (A) Looking at the original Tank Strap Assembly received with your 45L Plastic Water Tank (WTAN030), loosen and remove the rear portion of the strap as indicated by the arrows.

Keep the removed fasteners as they are to be used in the next step. The rear portion of the strap may be kept for future use with a Slimline II Rack.



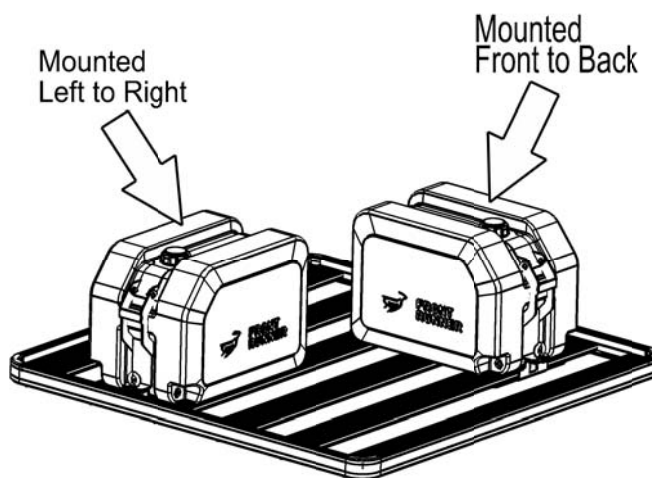
- (B) Secure the Replacement Rear Strap (Item 1) to the original Tank Strap Assembly in a reversal of Step 2A as shown, using the fasteners removed in Step 2A.



- (C) Using the Optional Brackets, the Water Tank may be mounted from left to right or front to back as shown. Decide where on your rack you would like to position your Water Tank.

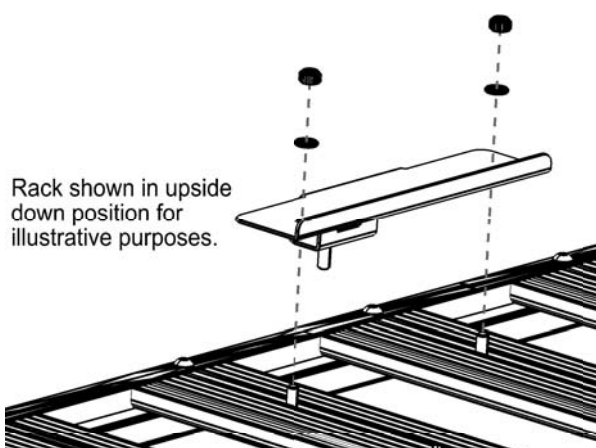
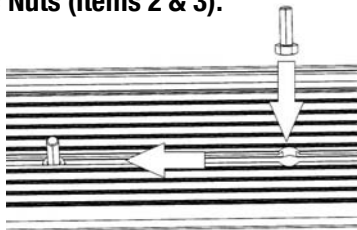
For left to right fitment, Refer to Section 3.

For front to back fitment, Refer to Section 4.

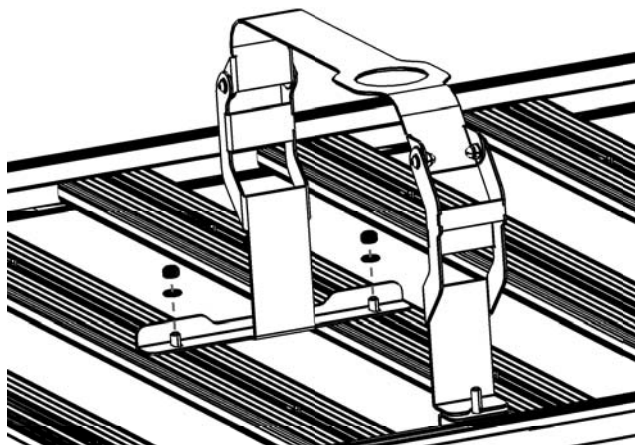


### 3 FIT WATER TANK - LEFT TO RIGHT

- (A) Having decided where to fit your Water Tank and working underneath the rack, slide a M8 x16 Hex Bolt into the end of two consecutive slats using the machined slot as shown. Loosely fasten the Front Mounting Bracket (Item 6) to the Rack using two M8 Flat Washers and two M8 Nyloc Nuts (Items 2 & 3).

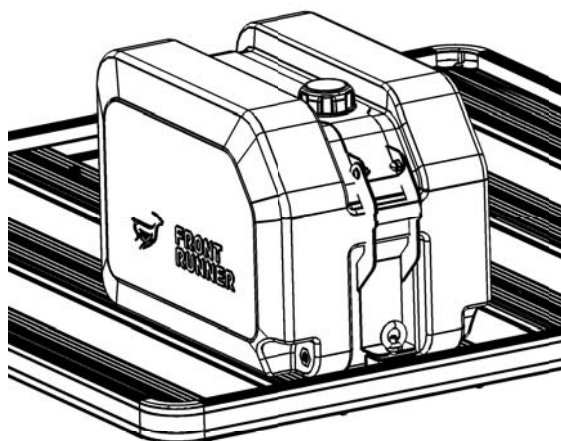


- (B) Working on the top side of the two slats from Step 3A, insert a M8 x 16 Hex Bolt into each of the slats through the machined slots and loosely fasten the Tank Strap Assembly to the Rack as shown using two M8 Flat Washers and two M8 x 16 Hex Bolts (Items 2 & 3).



- (C) With the Strap Assembly in the open position, place the Water Tank onto the Rack. Place the Strap over the Tank and Fasten the Strap Assembly to the Front Mounting Bracket (Item 6, installed in Step 3A) using the M8 Eye Nut (Item 5). Position the Water Tank as desired along the length of the slats. Once happy with the position of the Tank, fasten all the M8 Nyloc Nuts from Steps 3A & 3B.

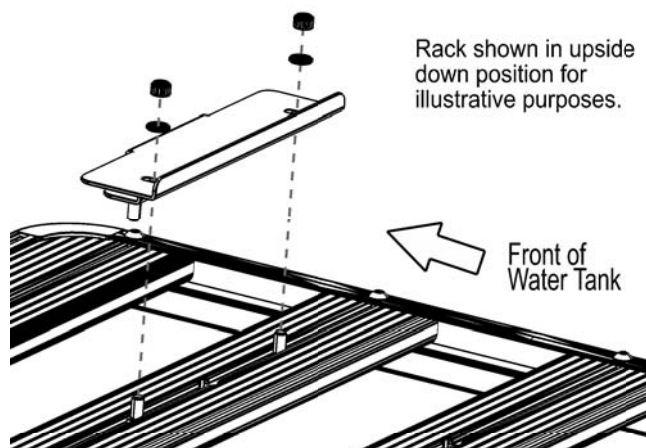
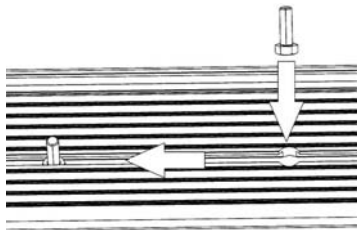
Remove the Water Tank and fit the T-slot Rubber provided into each Slat (Refer to Step 2A in Document WTAN030) before refitting the Water Tank.



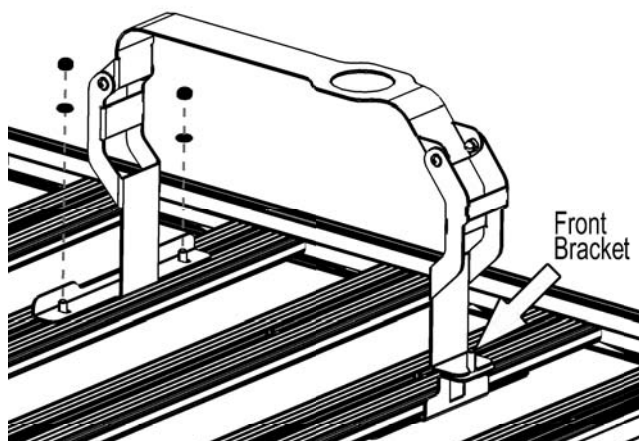
- (D) Congratulations, you have completed your installation. Take a step back and admire your work. Good Job!

## 4 FIT WATER TANK - FRONT TO BACK

- (A) Having decided where to fit your Water Tank, slide two M8 x 16 Hex Bolt into the "Front Slat" using the machined slot as shown. Loosely fasten the Front Mounting Bracket (Item 6) to the Rack using two M8 Flat Washers and two M8 Nyloc Nuts (Items 2 & 3).



- (B) Working on the top side of the Rack, insert two M8 x 16 Hex Bolts through the machined slot into the second slat back from where you mounted the Front Mounting Bracket. Loosely fasten the Tank Strap Assembly to the Rack as shown using two M8 Flat Washers and two M8 x 16 Hex Bolts (Items 2 & 3).



- (C) With the Strap Assembly in the open position, place the Water Tank onto the Rack. Place the Strap over the Tank and Fasten the Strap Assembly to the Front Mounting Bracket (Item 6, installed in Step 3A) using the M8 Eye Nut (Item 5). Position the Water Tank as desired along the length of the slats. Once happy with the position of the Tank, fasten all the M8 Nyloc Nuts from Steps 3A & 3B.

Remove the Water Tank and and fit the T-slot Rubber provided into each Slat (Refer to Step 2A in Document WTAN030) before refitting the Water Tank.



- (D) Congratulations, you have completed your installation. Take a step back and admire your work. Good Job!