**READ ME !** ⚠

Thank you for purchasing a Front Runner Potjie Pot / Dutch Oven Carrier.

Before you start, take a moment to familiarize yourself with the Fitting Instructions and the included components.

Refer to Page 2 for a list of all the components, quantities and tools required.

IMPORTANT WARNING! ⚠

IT IS CRITICAL THAT ALL FRONT RUNNER PRODUCTS BE PROPERLY AND SECURELY ASSEMBLED AND ATTACHED TO YOUR VEHICLE. IMPROPER ATTACHMENT COULD RESULT IN AN AUTOMOBILE ACCIDENT, AND COULD CAUSE SERIOUS BODILY INJURY OR DEATH. YOU ARE RESPONSIBLE FOR ASSEMBLING AND SECURING ALL FRONT RUNNER PRODUCTS TO YOUR VEHICLE, CHECKING THE ATTACHMENTS PRIOR TO USE, AND PERIODICALLY INSPECTING THE PRODUCTS FOR ADJUSTMENT, WEAR AND DAMAGE. THEREFORE, YOU MUST READ AND UNDERSTAND ALL OF THE INSTRUCTIONS AND PRECAUTIONS SUPPLIED WITH YOUR FRONT RUNNER PRODUCT PRIOR TO INSTALLATION OR USE. IF YOU DO NOT UNDERSTAND ALL OF THE INSTRUCTIONS AND CAUTIONS, OR IF YOU HAVE NO MECHANICAL EXPERIENCE AND ARE NOT THOROUGHLY FAMILIAR WITH THE INSTALLATION PROCEDURES, YOU SHOULD HAVE THE PRODUCT INSTALLED BY A PROFESSIONAL INSTALLER OR OTHER QUALIFIED PERSONNEL.

NOTE: Front Runner will not be responsible for any damage caused by the failure to install the product according to these instructions.

Please call us if you have any questions about the installation of this product.



1 GET ORGANIZED

IN THE BOX

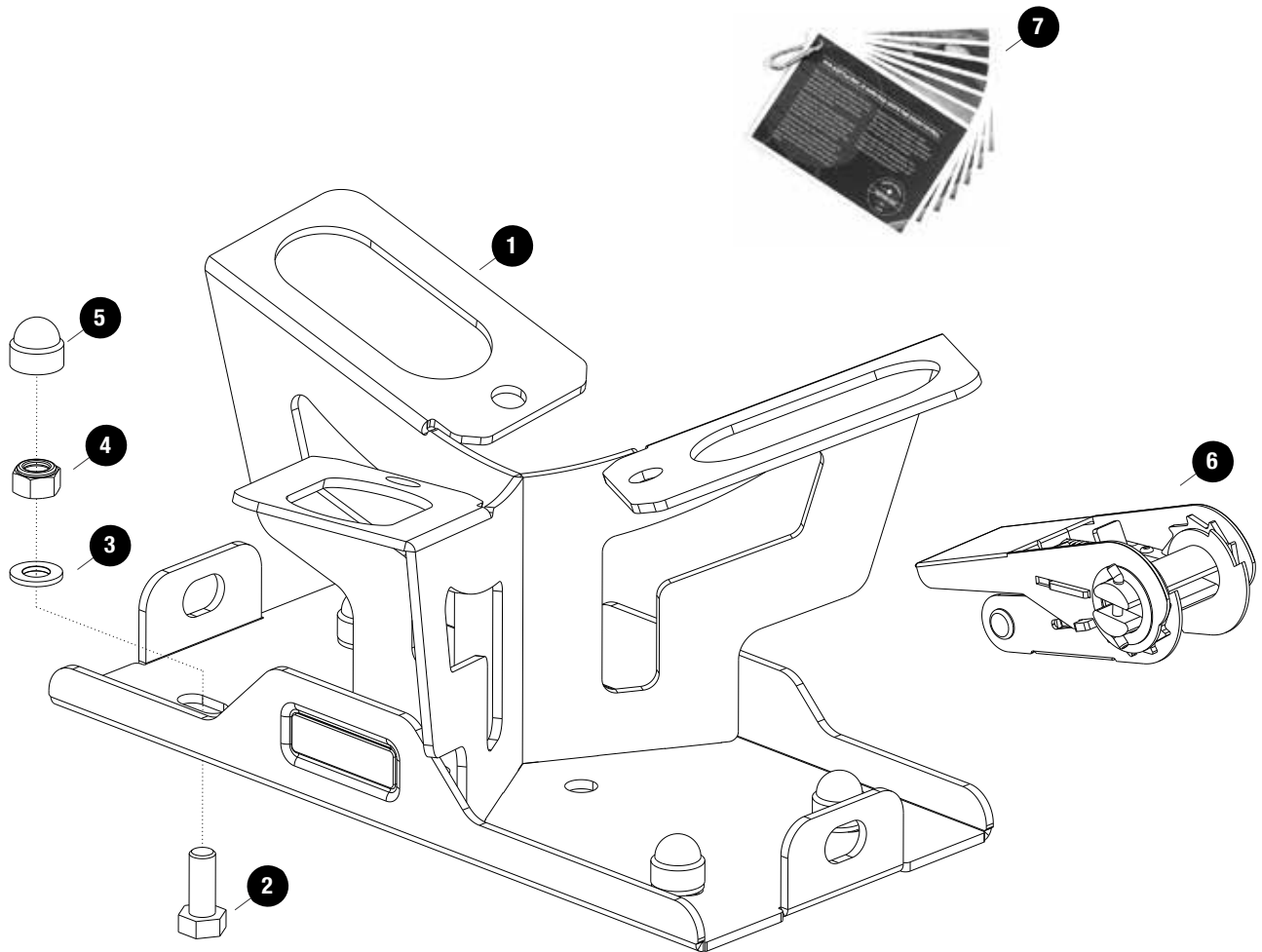
1	1 X	Potjie Pot / Dutch Oven Holder
2	4 X	M8 x 20 Hex Bolt
3	4 X	M8 Flat Washer
4	4 X	M8 Nyloc Nut
5	4 X	M8 Nut Cap
6	1 X	Ratchet Strap
7	1 X	Potjie Tips Booklet

TOOLS NEEDED



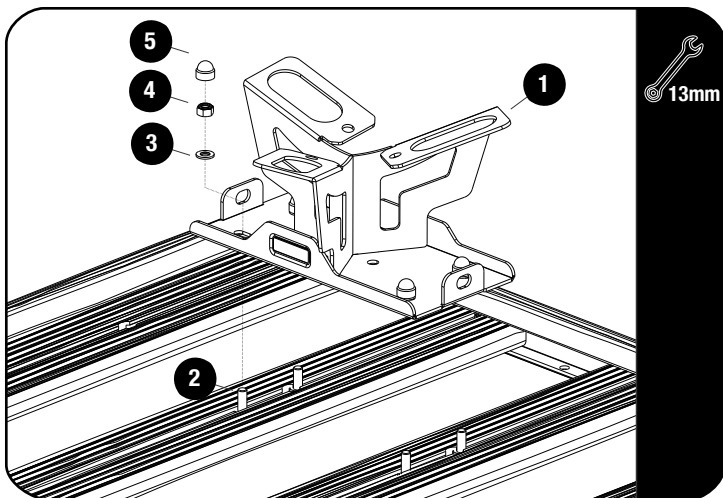
13mm

FIGURE 1.1



2**FIT AND SECURE**

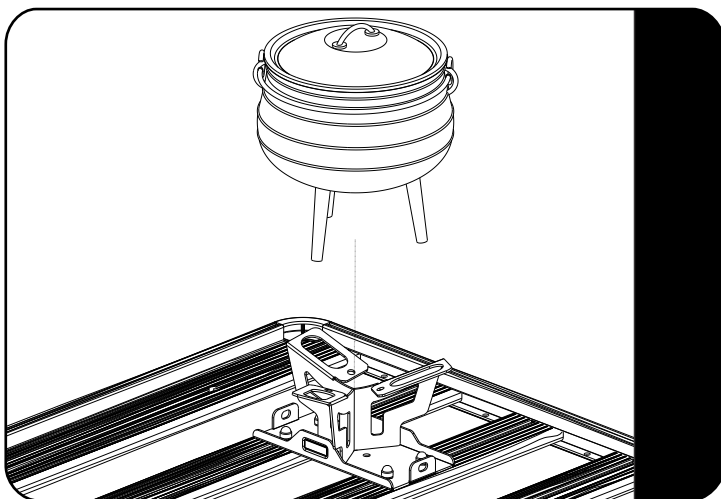
2.1



Decide where on the rack you would like to mount your Potjie Pot / Dutch Oven Holder, the Potjie Pot / Dutch Oven Holder needs to be mounted across two slats as shown.

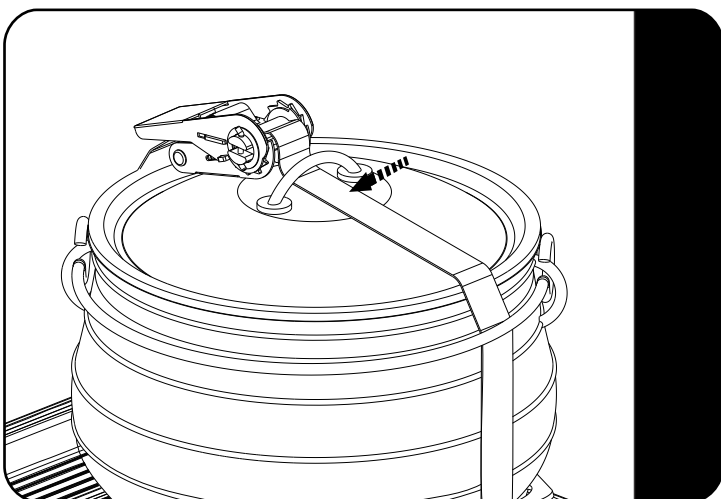
Secure the Potjie Pot / Dutch Oven Holder (Item 1) to the rack using M8 x 20 Hex bolts, M8 Flat Washers and M8 Nyloc Nuts (Items 2, 3 & 4).

2.2



Place the Potjie Pot / Dutch Oven (Sold Separately) into the Potjie Pot / Dutch Oven Holder.

2.3



Secure the Potjie Pot / Dutch Oven using the Ratchet Strap, the strap should go through the lid as shown.



See your Potjie Tips Booklet (Item 7) on how to store your Potjie Pot / Dutch Oven.

Potjie Pot / Dutch Oven & Carrier - RRAC081

3

FINISH

Congratulations! You did it. Take a step back and admire your work!

4

INSTALL OTHER VEHICLE AND RACK ACCESSORIES

Now's the time to visit your favorite Front Runner Dealer in person or online.

Be sure to tag us. We love to see our gear in action! #FrontRunnerOutfitters #BornToRoam

Share your adventures on: 