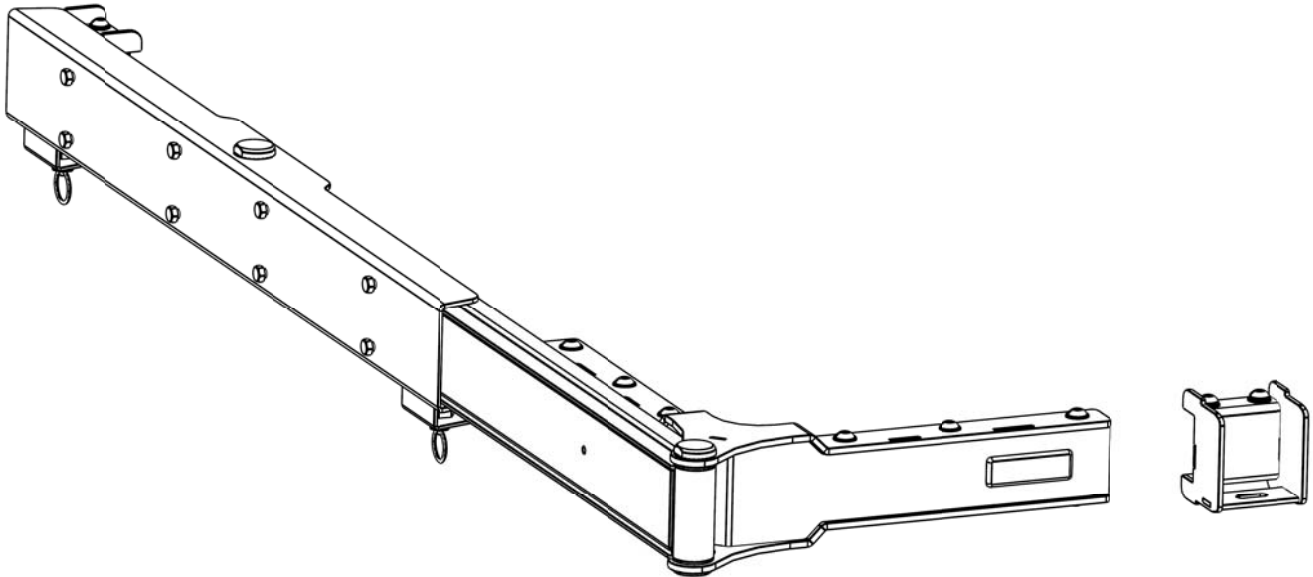


**INSTALL TIME: 30 mins**

The Movable Arm can only be used on Racks that have a width of 1255 mm or greater and a length of 1358 mm or greater. The Movable Arm can be mounted on either corner of the Rack. The recommend fitment is on the left rear corner as demonstrated in these instructions. If your Rack is 1762 mm long, you will however not be able to mount the Movable Arm on the left hand rear corner as recommended due to interference between the Locking Bracket and the Joiner in the Side Profile of the Rack.

Should you wish to mount the Movable Arm to either of the other corners, simply follow the Instructions applying them to the chosen corner. You will need to check for interference between the Locking Brackets and the Joiners in the Side Profile of the Rack before fitting.

IMPORTANT WARNING!

IT IS CRITICAL THAT ALL FRONT RUNNER PRODUCTS BE PROPERLY AND SECURELY ASSEMBLED AND ATTACHED TO YOUR VEHICLE. IMPROPER ATTACHMENT COULD RESULT IN AN AUTOMOBILE ACCIDENT, AND COULD CAUSE SERIOUS BODILY INJURY OR DEATH TO YOU OR TO OTHERS. YOU ARE RESPONSIBLE FOR ASSEMBLING AND SECURING ALL FRONT RUNNER PRODUCTS TO YOUR VEHICLE, CHECKING THE ATTACHMENTS PRIOR TO USE, AND PERIODICALLY INSPECTING THE PRODUCTS FOR ADJUSTMENT, WEAR, AND DAMAGE. THEREFORE, YOU MUST READ AND UNDERSTAND ALL OF THE INSTRUCTIONS AND CAUTIONS SUPPLIED WITH YOUR FRONT RUNNER PRODUCT PRIOR TO INSTALLATION OR USE. IF YOU DO NOT UNDERSTAND ALL OF THE INSTRUCTIONS AND CAUTIONS, OR IF YOU HAVE NO MECHANICAL EXPERIENCE AND ARE NOT THOROUGHLY FAMILIAR WITH THE INSTALLATION PROCEDURES, YOU SHOULD HAVE THE PRODUCT INSTALLED BY A PROFESSIONAL INSTALLER OR OTHER QUALIFIED PERSONNEL.

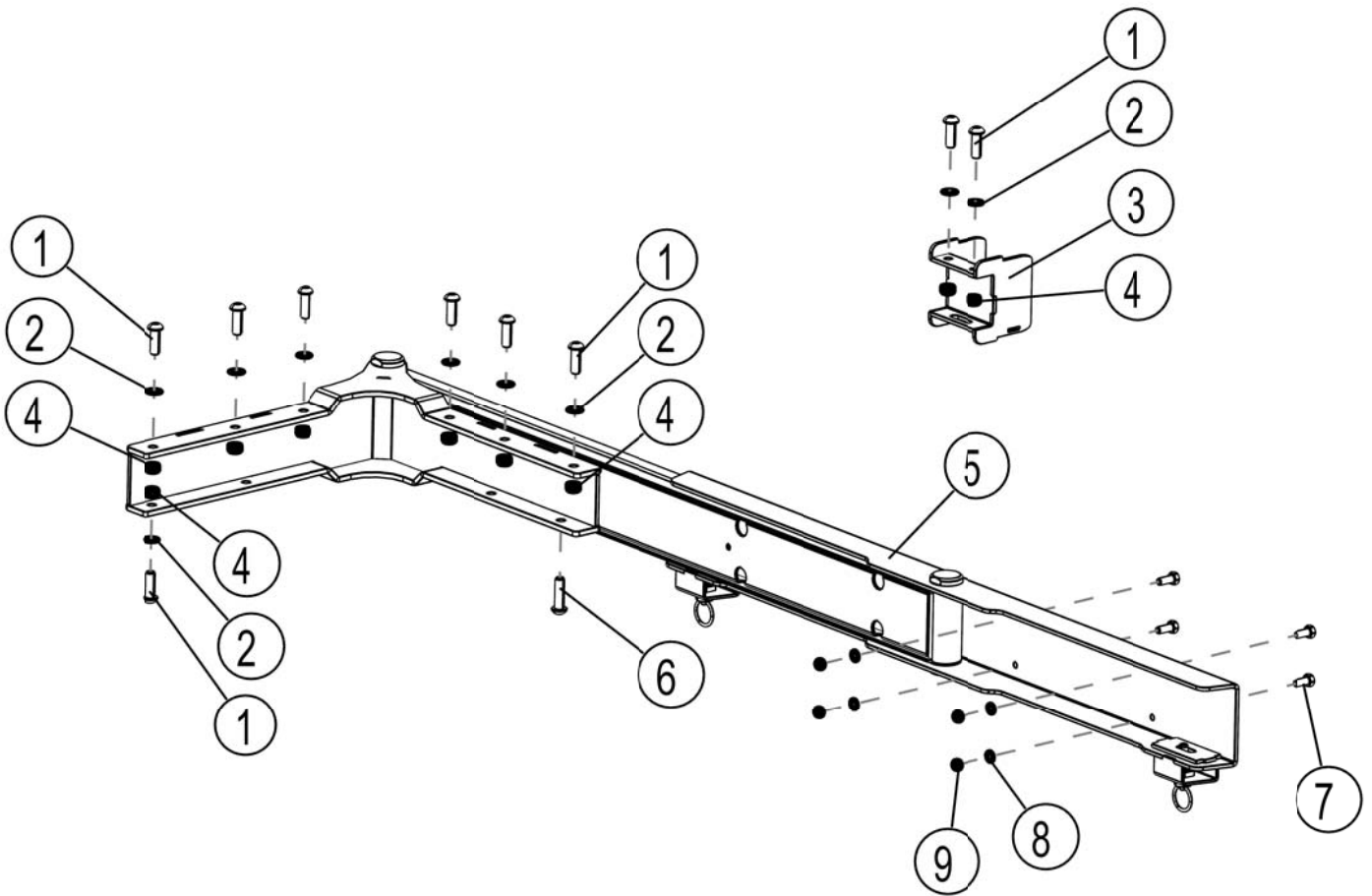
1 GET ORGANIZED...

Here is what you are looking at:

Item #	Quantity	Description
1	11	M8 x 25 BUTTON HEAD BOLT
2	12	M8 FLAT WASHER
3	2	LOCKING BRACKET
4	11	M8 NYLOC NUT
5	1	MOVABLE ARM
6	1	M8 x 30 BUTTON HEAD BOLT
7	8	M6 x 16 HEX BOLT
8	8	M6 FLAT WASHER
9	8	M6 NYLOC NUT

You will need:

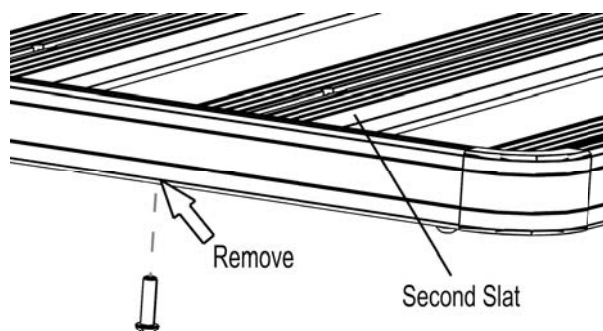
- 4 mm Hex Key
- 5 mm Hex Key
- 10 mm Flat or Socket Wrench



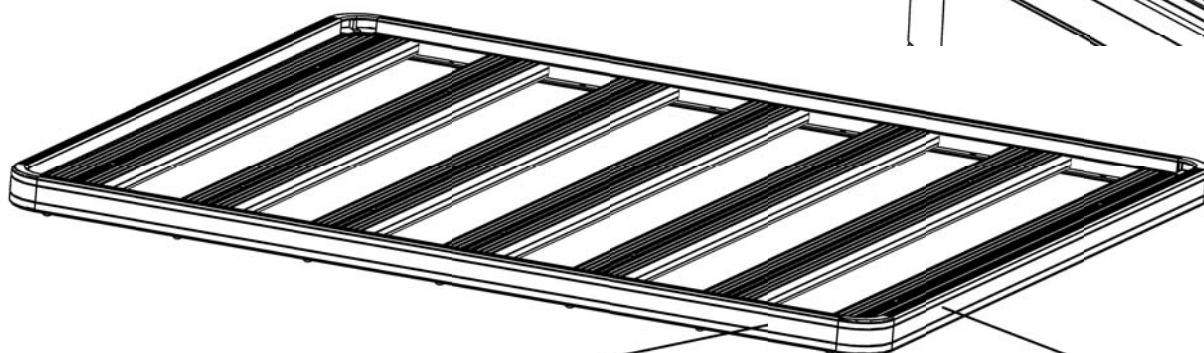
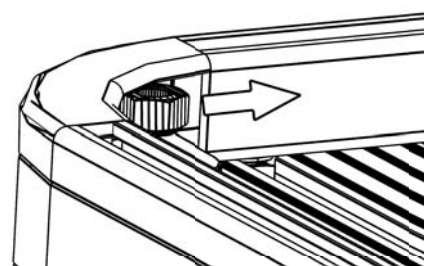
(A) Familiarize yourself with the parts and then step away from the work area and read through these instructions from beginning to end. Take a moment as a little prep now may save you a lot of time later.

2 INSTALL MOVABLE ARM

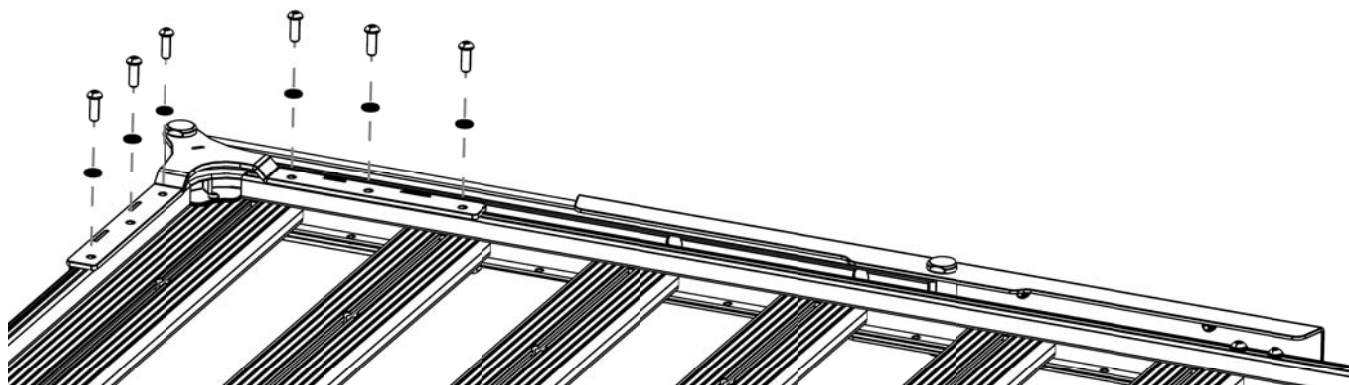
- (A) Underneath the left rear corner of the Rack, remove the M8 x 25 Button Head Bolt securing the second slat in from the rear to the Rack.



- (B) Referring to the image on the right, insert three M8 Nyloc Nuts (Item 4) dome side down through the gap in the corner into the left and three M8 Nyloc Nuts into the rear "U-channels" as shown.

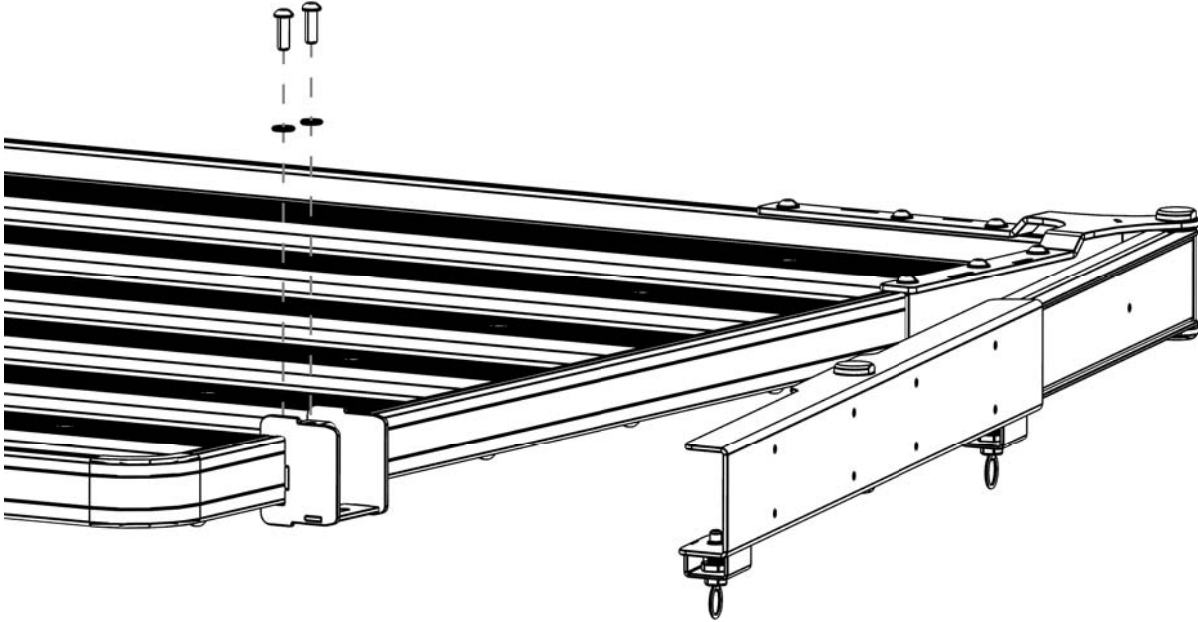


- (C) Place the Movable Arm over the corner of the Rack as shown. Line the Nyloc Nuts from Step 2B up with the mounting holes in the top of the Movable Arm and secure the Arm in position using six of the M8 x 25 Button Head Bolts and six M8 Flat Washers (Items 1 & 2) supplied.

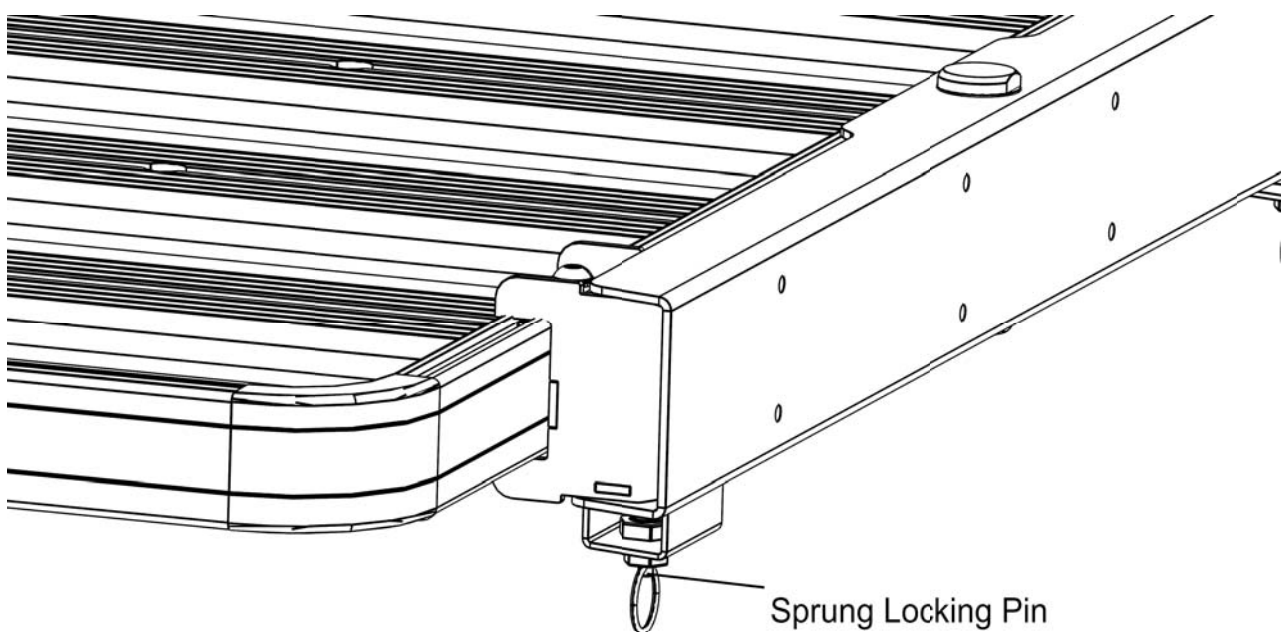


2 INSTALL MOVABLE ARM CONT...

- (D) Referring to Steps 2B & 2C, insert two M8 Nyloc Nuts (Item 4) into the front of the left hand side "U-channel" and loosely secure the Locking Bracket (Item 3) to the side of the Rack using two M8 Flat Washers and two M8 x 25 Button Head Bolts (items 1 & 2).

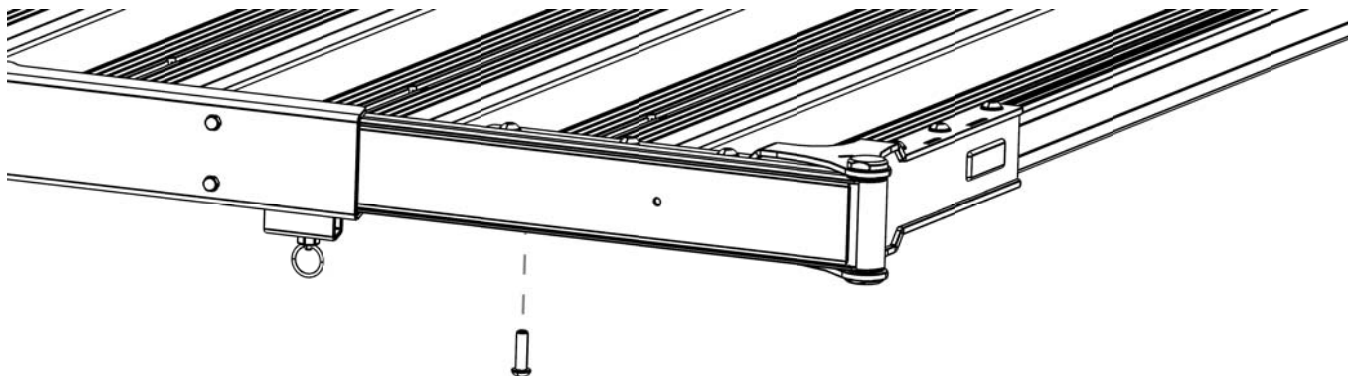


- (E) Gently close the Movable Arm and adjust the Locking Bracket, left to right so that the Sprung Locking Pin on the Movable Arm locates into the hole at the bottom of the Locking Bracket. With the Movable Arm locked in position, tighten the two M8 Button Head Bolts securing the Locking Bracket to the Rack.



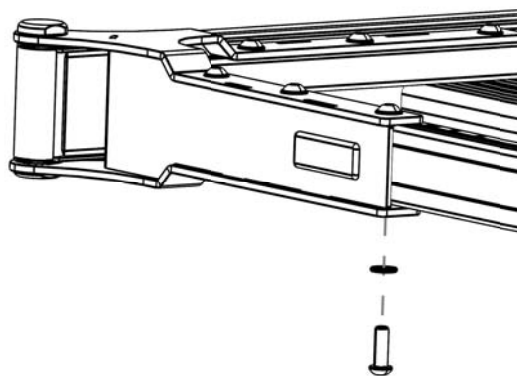
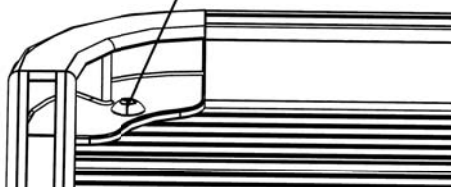
2 INSTALL MOVABLE ARM CONT...

- (F) Underneath the left rear corner of the Rack, Secure the the slat from Step 2A back to the Rack using the M8 x 30 Button Head (Item 6) supplied.



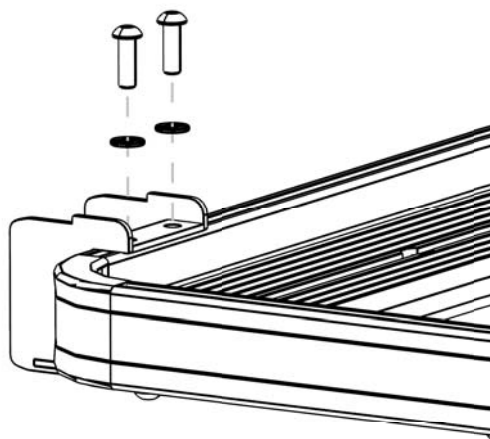
- (G) Working at the right rear corner of the Rack, loosen the M6 Button Head Bolt as indicated and remove the corner. Slide one M8 Nyloc Nut (Item 4) dome side up into the bottom rear "U-channel" and line it up with the mounting point on the underside of the Movable Arm and secure using a M8 x 25 Button Head Bolt and M8 Flat Washer (Items 1 & 2).

Loosen M6 Button Head and Remove Corner



- (H) Referring to Step 2D, loosely fit the remaining Locking Bracket to the rear of the Rack using the remaining M8 x 25 Button Head Bolt, M8 Flat Washers and M8 Nyloc Nuts (Items 1 & 2).

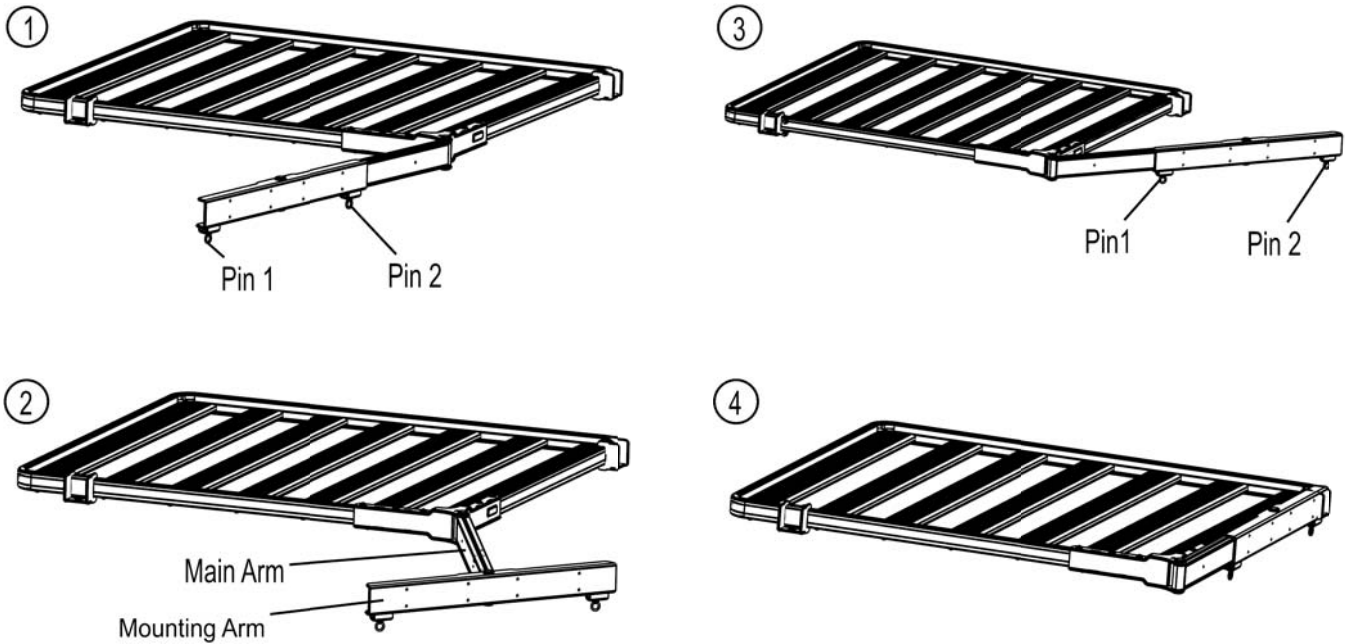
Refit the corner to the Rack.



2 INSTALL MOVABLE ARM CONT...

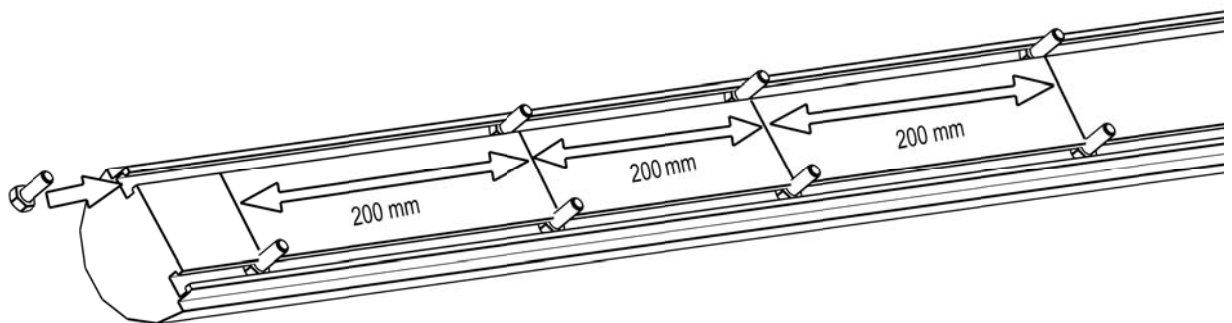
- (I) The Movable Arm consists of two moving parts, the Main Arm and the Mounting Arm. If the Movable Arm is still in the closed position from Step 2E, pull Pin 1 releasing the Movable Arm. Open the Movable Arm and pull Pin 2 releasing the Mounting Arm from the Main Arm. With both arms free to move independently, rotate the Movable Arm around towards the rear of the Rack (Images 1 & 2). Lock the Mounting Arm to the Main Arm using Pin 1 (Image 3).

Referring to Step 2E adjust the second /rear Locking Bracket fitted in Step 2H.



3 FIT AWNING TO MOVABLE ARM

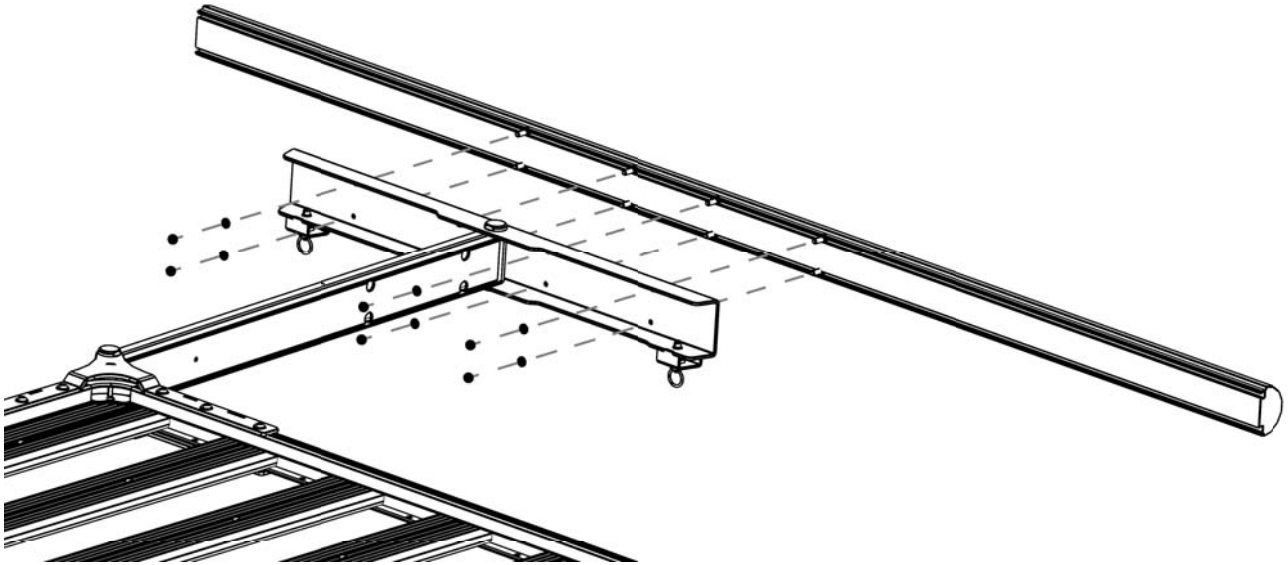
- (A) Insert four M6 x 16 Hex Bolts (Item 7) into the top and bottom t-slot channels found at the rear of the awning. Slide the Bolts down the channels into middle of the Awning. Space the top and bottom rows of Bolts in line with one another and 200 mm.



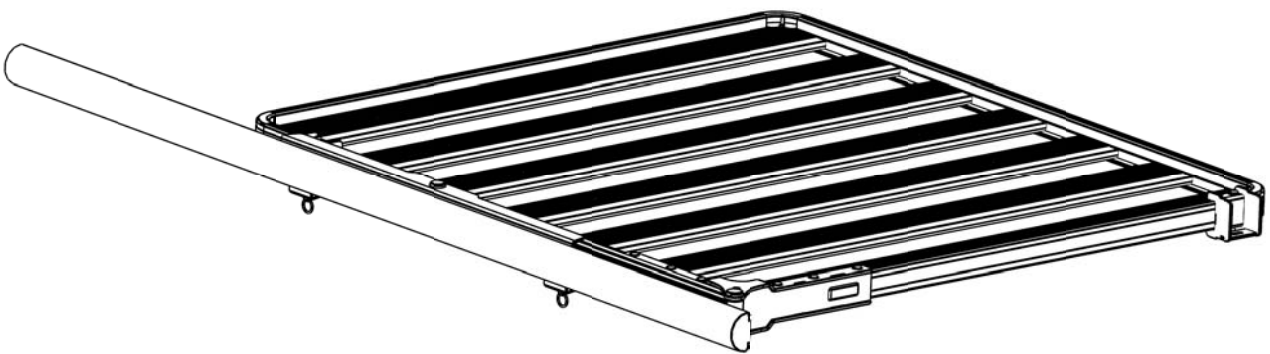
3 FIT AWNING TO MOVABLE ARM CONT...

- (B) Open the Main Arm and Mounting Arm. Lift the awning into position lining the M6 Hex Bolts in the rear of the awning with the mounting holes found in the Mounting Arm. Loosely secure the awning to the Mounting Arm using the M6 Flat Washers and Nyloc Nuts (Items 8 & 9) supplied.

Close the Movable Arm, so that the awning is running down the left hand side of the vehicle. Adjust the position of the awning, front to back as desired. Open the Main and Mounting Arms again and tighten all the M6 Nyloc Nuts securing the awning to the Mounting Arm.



- (C) Congratulations, you have completed your installation. Take a step back and admire your work. Good Job!



4 INSTALL OTHER VEHICLE AND RACK ACCESSORIES

- (A) Now's the time to visit your favorite Front Runner dealer in person or online.