**READ ME !** 

Thank you for purchasing a Front Runner Roof Rack Power Point.

Before you start, take a moment to familiarize yourself with the Fitting Instructions and the components received.

Refer to Page 2 for a list of all the components, quantities and tools required.

**IMPORTANT WARNING!** 

IT IS CRITICAL THAT ALL FRONT RUNNER PRODUCTS BE PROPERLY AND SECURELY ASSEMBLED AND ATTACHED TO YOUR VEHICLE. IMPROPER ATTACHMENT COULD RESULT IN AN AUTOMOBILE ACCIDENT, AND COULD CAUSE SERIOUS BODILY INJURY OR DEATH. YOU ARE RESPONSIBLE FOR ASSEMBLING AND SECURING ALL FRONT RUNNER PRODUCTS TO YOUR VEHICLE, CHECKING THE ATTACHMENTS PRIOR TO USE, AND PERIODICALLY INSPECTING THE PRODUCTS FOR ADJUSTMENT, WEAR AND DAMAGE. THEREFORE, YOU MUST READ AND UNDERSTAND ALL OF THE INSTRUCTIONS AND PRECAUTIONS SUPPLIED WITH YOUR FRONT RUNNER PRODUCT PRIOR TO INSTALLATION OR USE. IF YOU DO NOT UNDERSTAND ALL OF THE INSTRUCTIONS AND CAUTIONS, OR IF YOU HAVE NO MECHANICAL EXPERIENCE AND ARE NOT THOROUGHLY FAMILIAR WITH THE INSTALLATION PROCEDURES, YOU SHOULD HAVE THE PRODUCT INSTALLED BY A PROFESSIONAL INSTALLER OR OTHER QUALIFIED PERSONNEL.

**NOTE:** Front Runner will not be responsible for any damage caused by the failure to install the product according to these instructions.

Please call us if you have any questions about the installation of this product.

# 1

## GET ORGANIZED

### IN THE BOX

|    |     |                           |
|----|-----|---------------------------|
| 1  | 1 X | Base                      |
| 2  | 1 X | Electrical Cover          |
| 3  | 1 X | Earth Plate               |
| 4  | 2 X | M6 Nut Cap                |
| 5  | 2 X | M6 Nyloc Nut              |
| 6  | 2 X | M6 x 12 x 1SS Flat Washer |
| 7  | 1 X | Rubber Bush               |
| 8  | 2 X | M8 Thin Nut               |
| 9  | 2 X | M6 x 12 Button Head Bolt  |
| 10 | 2 X | Hella Socket              |
| 11 | 2 X | Schnorr Lock Washer       |
| 12 | 2 X | M8 x 12 Button Head Bolt  |
| 13 | 3 X | Flag Terminal Lug         |
| 14 | 3 X | Insulating Cover          |

### TOOLS NEEDED



13MM



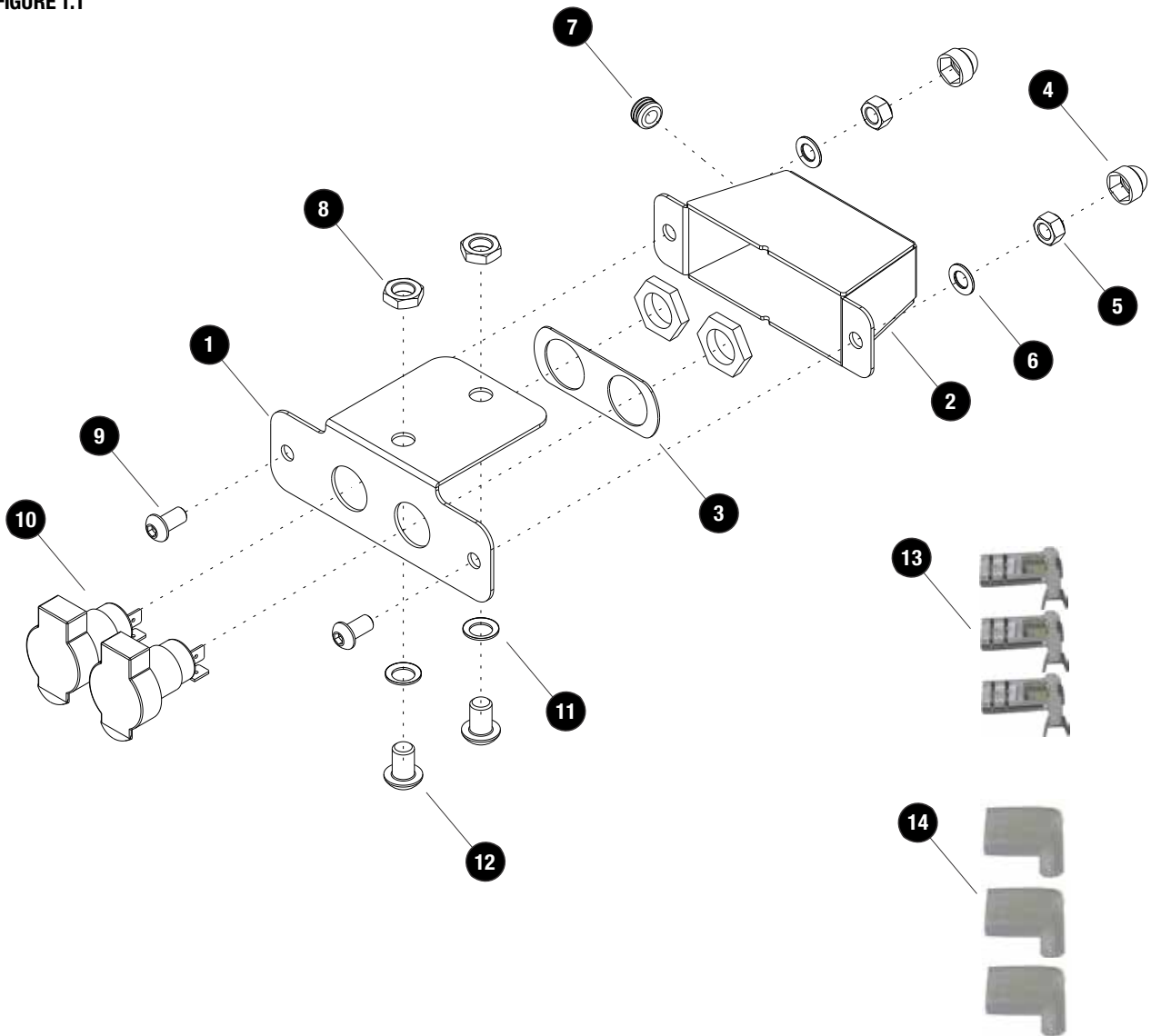
4MM  
5MM



Crimp Tool

Wire Stripper

FIGURE 1.1



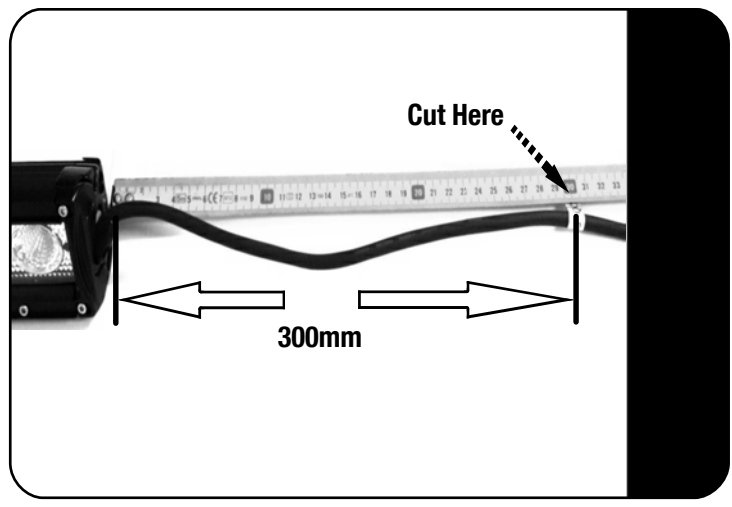
## 2 PREPARE WIRING (SUGGESTED METHOD)



Lights may be wired and connected to the vehicle's electrical system according to personal preferences and requirements. Steps 2.1 - 2.11 below, illustrate Front Runner's suggested method for wiring and connecting light to the vehicle's electrical system.

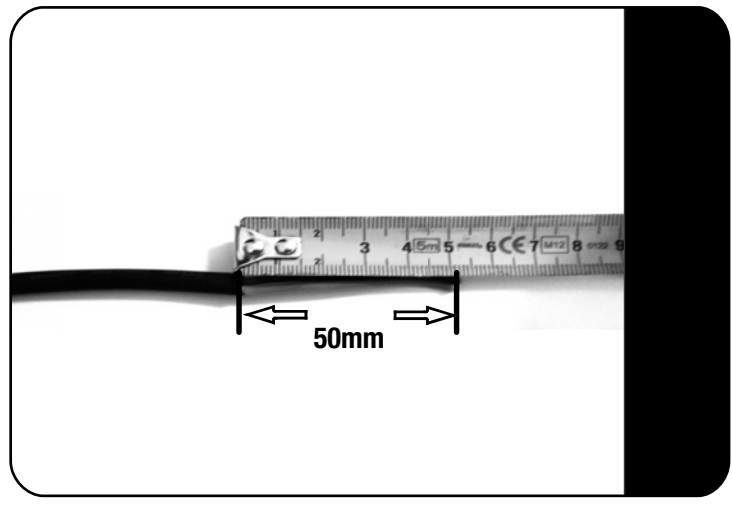
If the suggested method is selected, power to the light is supplied by running an Extension Cable (Not Supplied) from a power outlet on the vehicle to one of the Hella Plugs found on the front of the Roof Rack Power Point. Should you wish to purchase the Front Runner Extension Cable, the Part Number / Item Code is ECOM076.

2.1



Measure and cut the light's electrical cable to 300mm. Keep the off-cut for Step 2.3.

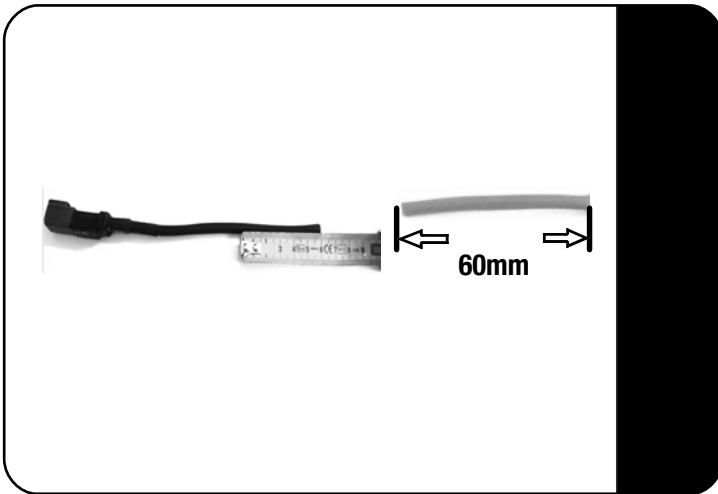
2.2



Strip the black, outer insulation on the cut end of the electrical cable back 50mm.

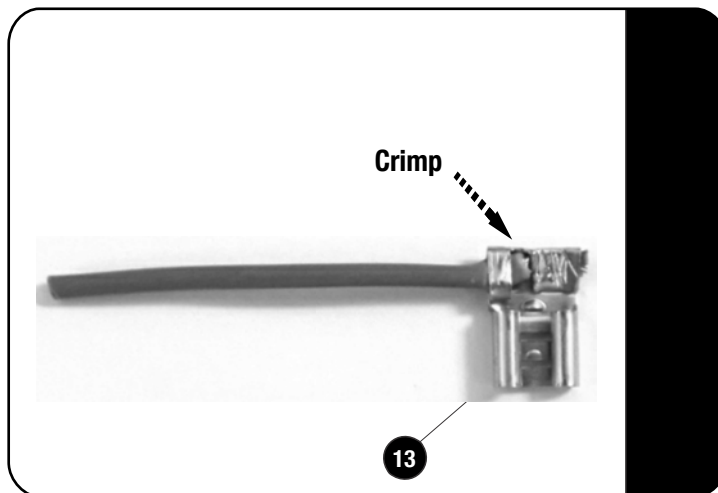
## 2 PREPARE WIRING (SUGGESTED METHOD)

2.3



From the off-cut in 2.1, cut a section of wire 60mm long. Strip off the black outer insulation. Keep the 60mm length of RED wire and dispose of the remaining wire.

2.4

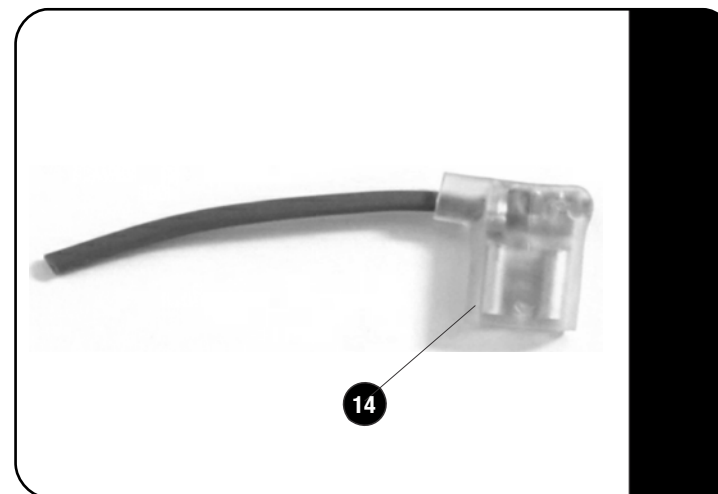


Strip one end of the insulation on the red wire from 2.3 back 5mm and crimp the Flag Terminal (Item 13) to the wire as shown.



It is recommended to solder all connections.

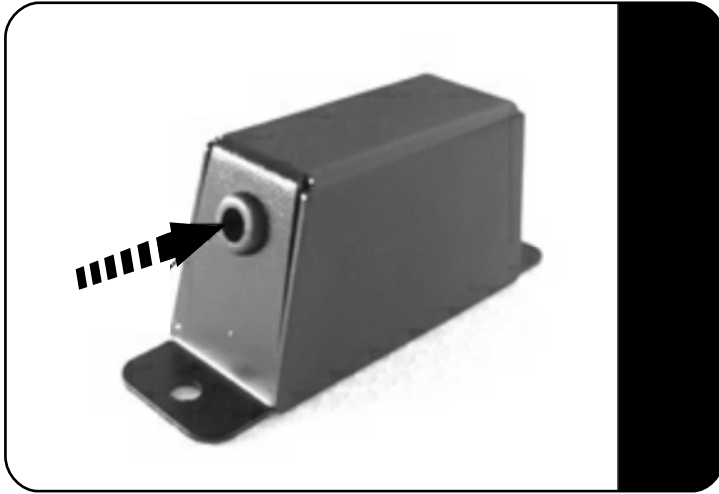
2.5



Fit the Insulating Boot (Item 14) over the crimped Flag Terminal as shown.

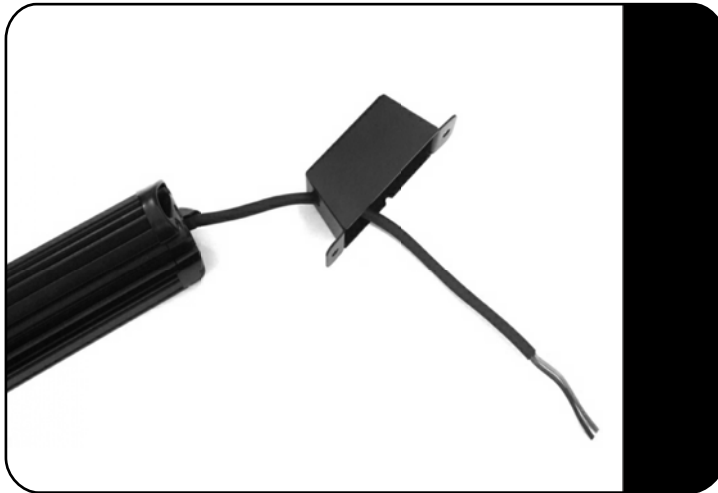
## 2 PREPARE WIRING (SUGGESTED METHOD)

2.6



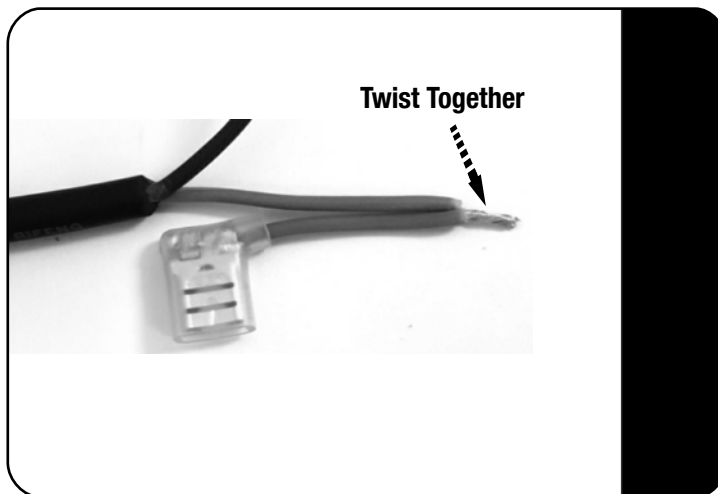
Insert the Rubber Grommet (Item 7) into the hole of the Electrical Cover (Item 2) as shown.

2.7



Feed the light's electrical cable through the hole of the Rubber Grommet inserted in 2.6 as shown.

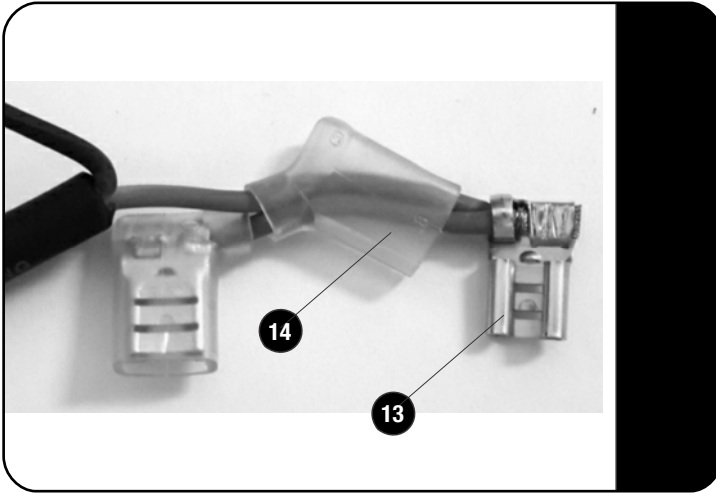
2.8



Strip and twist the red wires together as shown.

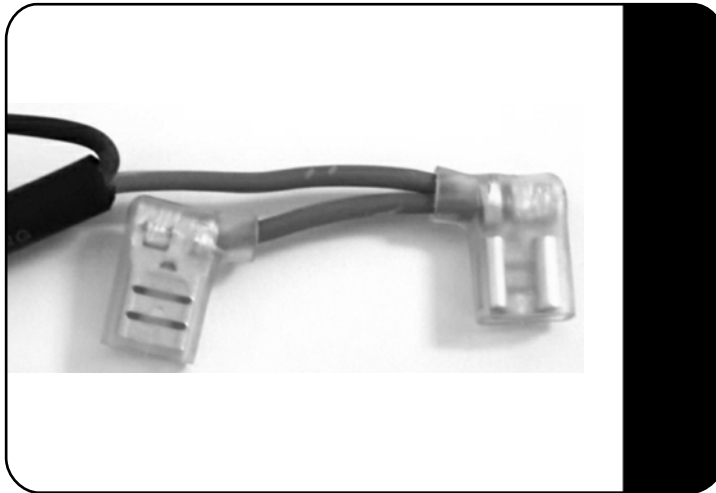
## 2 PREPARE WIRING (SUGGESTED METHOD)

2.9



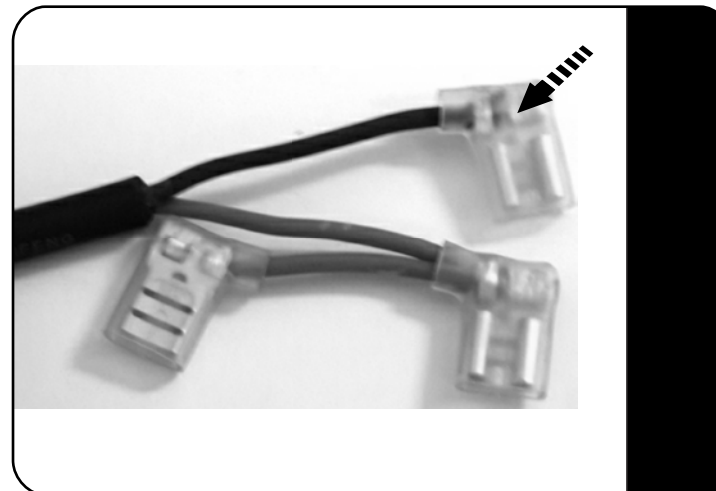
Slide an Insulating Boot (Item 14) over the twisted pair of red wires from 2.8. Crimp a Flag Terminal (Item 13) onto the end of the twisted pair as shown.

2.10



Slide the Insulating Boot over the Flag Terminal from 2.9 as shown.

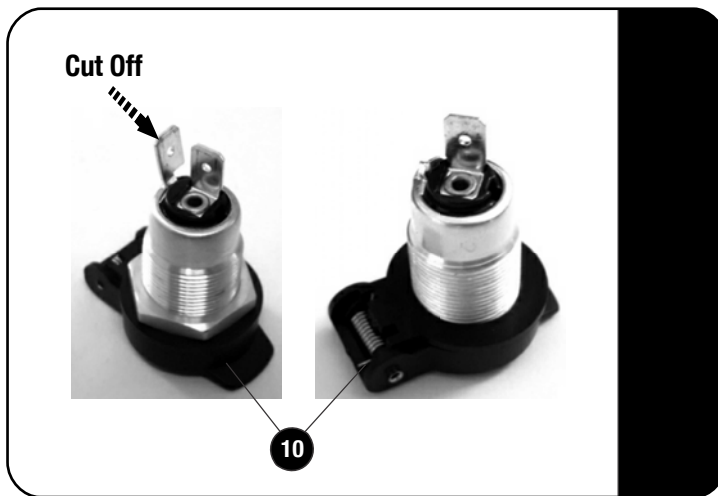
2.11



Slide the last remaining Insulating Boot over the black wire on the light's power cable as shown. Strip back 5mm of insulation from the end of the black wire. Crimp the last remaining Flag Terminal (Item 13) onto the end of the black wire and cover the Flag Terminal with the Insulating Boot (Item 14) as shown.

### 3 INSTALL ROOF RACK POWER POINT

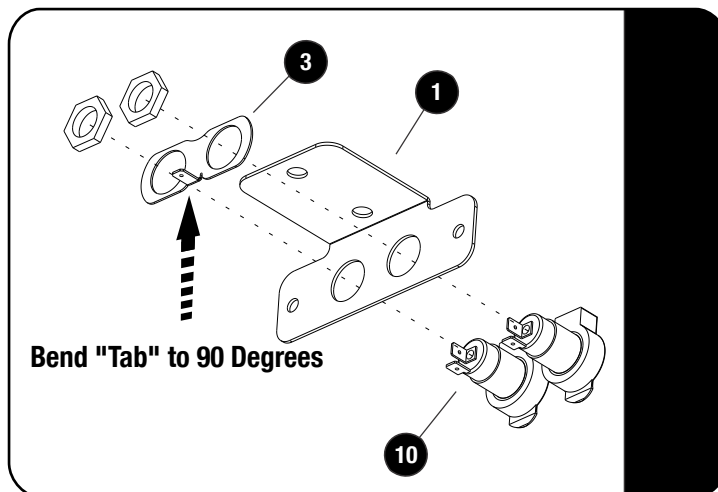
3.1



Looking at the two Hella Sockets (Item 17), cut off the outer "tab" on each using a pair of side cutters.

Do not cut off the middle tab.

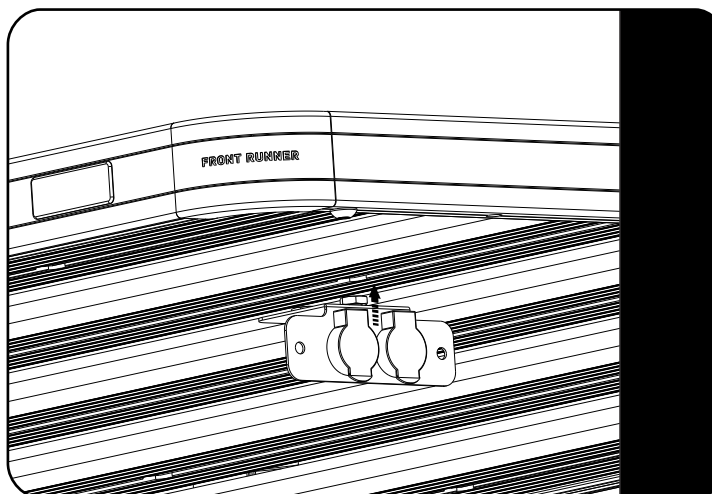
3.2



Before assembling the Hella Plugs (Item 10) to the Base (Item 1), bend the "tab" on the Earth Plate (Item 3) to 90 degrees as shown.

Note direction of Earth Plate Tag.

3.3



Loosely fit the two M8 x 12 Button Head Bolts, two M8 Shnorrr Washers and two M8 Thin Nuts to the assembly from 3.2.

Refer to Figure 1.1 for assembly.

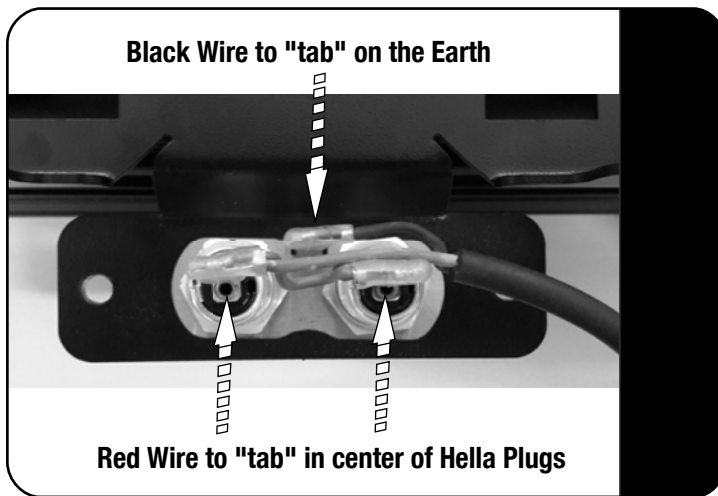
Looking at the underside of the rack, place the first M8 Thin Nut into the machined pocket of the slat as shown. Slide the assembly slightly to the outside of the rack then place the second thin nut into the machined pocket as shown.

Move the assembly outward up to the side profile and fully tighten.

3

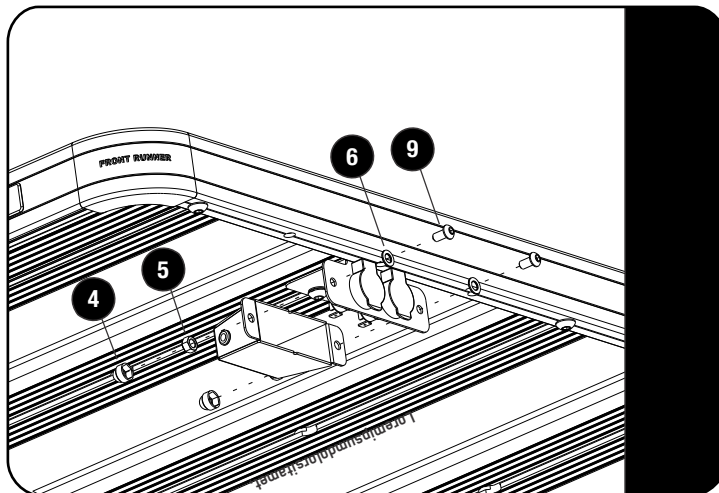
## INSTALL ROOF RACK POWER POINT

3.4



Connect the light to the Hella Socket as shown. The two red wires go onto the center "tabs" of the Sockets and the black wire goes onto the "tab" on the Earth Plate.

3.5



Fit the Cover (Item 2) over the rear of the Hella Socket and electrical connections and secure in place using two M6 x 12 Button Head Bolts, two M6 Flat Washers and two M6 Nyloc Nuts (Items 5, 6, & 9).

Place a M6 Nut Cap (Item 4) over each of the Nyloc Nuts.

3

## FINISH

Congratulations! You did it. Take a step back and admire your work!

4

## INSTALL OTHER VEHICLE AND RACK ACCESSORIES

Now's the time to visit your favorite Front Runner Dealer in person or online.

Be sure to tag us. We love to see our gear in action! #FrontRunnerOutfitters #BornToRoam

Share your adventures on:

