**READ ME !** 

Thank you for purchasing a Front Runner Side Mount Ladder Bracket.

Before you start, take a moment to familiarize yourself with the Fitting Instructions and the components received.

Refer to Page 2 for a list of all the components, quantities and tools required.

IMPORTANT WARNING! 

IT IS CRITICAL THAT ALL FRONT RUNNER PRODUCTS BE PROPERLY AND SECURELY ASSEMBLED AND ATTACHED TO YOUR VEHICLE. IMPROPER ATTACHMENT COULD RESULT IN AN AUTOMOBILE ACCIDENT, AND COULD CAUSE SERIOUS BODILY INJURY OR DEATH. YOU ARE RESPONSIBLE FOR ASSEMBLING AND SECURING ALL FRONT RUNNER PRODUCTS TO YOUR VEHICLE, CHECKING THE ATTACHMENTS PRIOR TO USE, AND PERIODICALLY INSPECTING THE PRODUCTS FOR ADJUSTMENT, WEAR AND DAMAGE. THEREFORE, YOU MUST READ AND UNDERSTAND ALL OF THE INSTRUCTIONS AND PRECAUTIONS SUPPLIED WITH YOUR FRONT RUNNER PRODUCT PRIOR TO INSTALLATION OR USE. IF YOU DO NOT UNDERSTAND ALL OF THE INSTRUCTIONS AND CAUTIONS, OR IF YOU HAVE NO MECHANICAL EXPERIENCE AND ARE NOT THOROUGHLY FAMILIAR WITH THE INSTALLATION PROCEDURES, YOU SHOULD HAVE THE PRODUCT INSTALLED BY A PROFESSIONAL INSTALLER OR OTHER QUALIFIED PERSONNEL.

NOTE: Front Runner will not be responsible for any damage caused by the failure to install the product according to these instructions.

Please call us if you have any questions about the installation of this product.

1

GET ORGANIZED

IN THE BOX

1	2 X	Ladder Bracket
2	2 X	Rack Mount Bracket
3	2 X	Clamp
4	2 X	Eye Nut
5	2 X	M8 Nylon Washer
6	2 X	M8 Nyloc Nut
7	10 X	M8 x 16 x 1.6SS Flat Washer
8	2 X	M8 x 60 Hex Bolt
9	8 X	M6 x 16 Button Head Bolt
10	16 X	M6 x 12 x 1SS Flat Washer
11	8 X	M6 Nylon Washer
12	8 X	M6 Nut Cap
13	8 X	M6 Nyloc Nut
14	6 X	M8 x 20 Button Head Bolt

IN THE BOX

15	1 X	M8 Nut Cap
16	1 X	Support Bracket
17	1 X	M8 x 20 Hex Bolt

TOOLS NEEDED

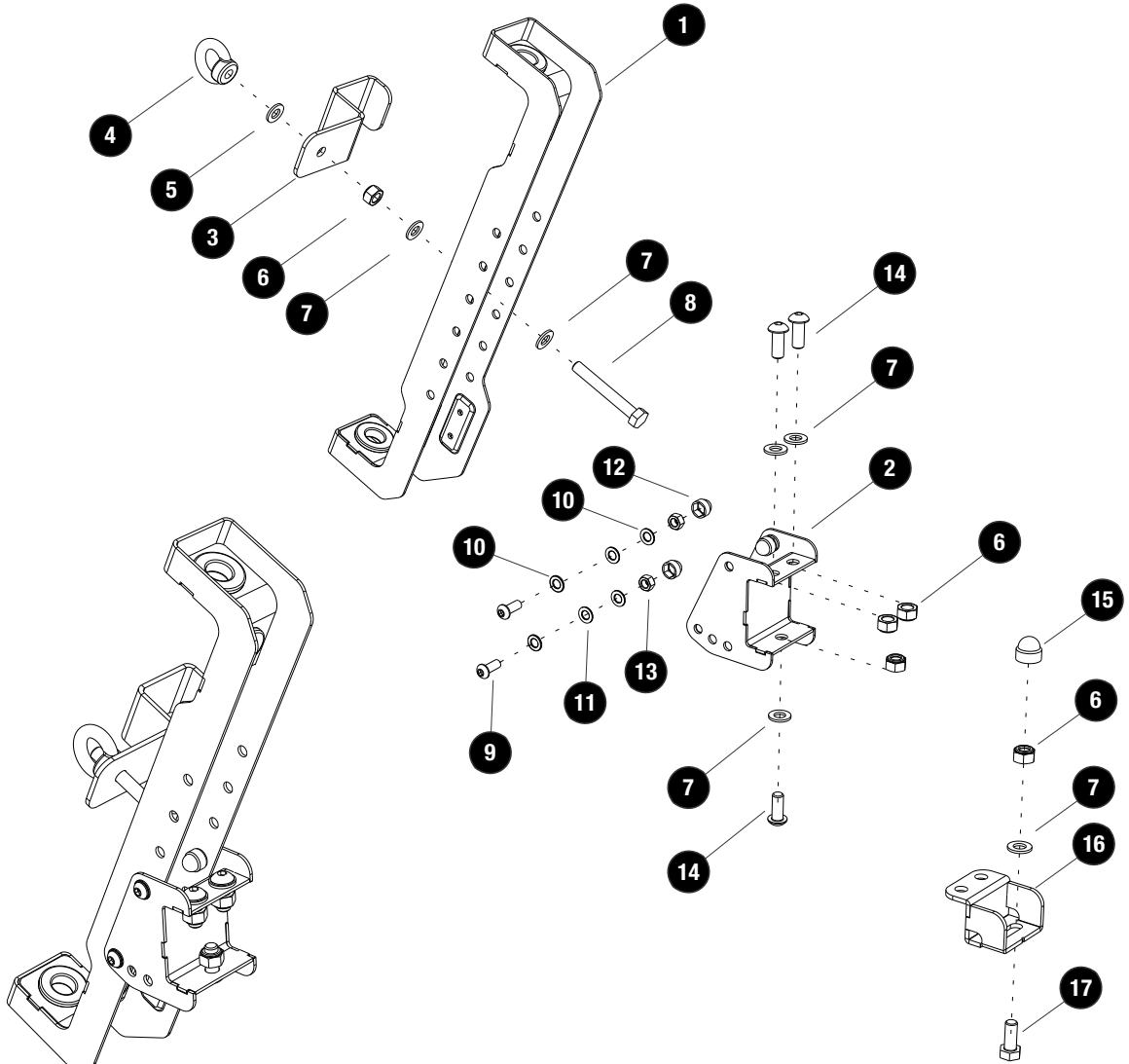


10mm
13mm



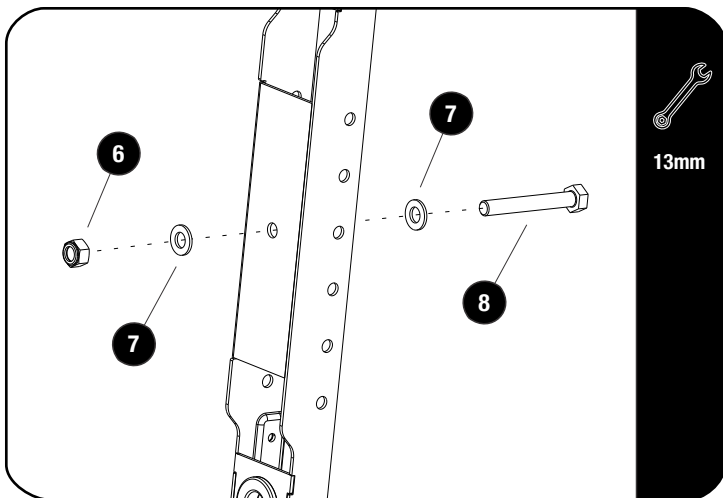
4mm
5mm

FIGURE 1.1



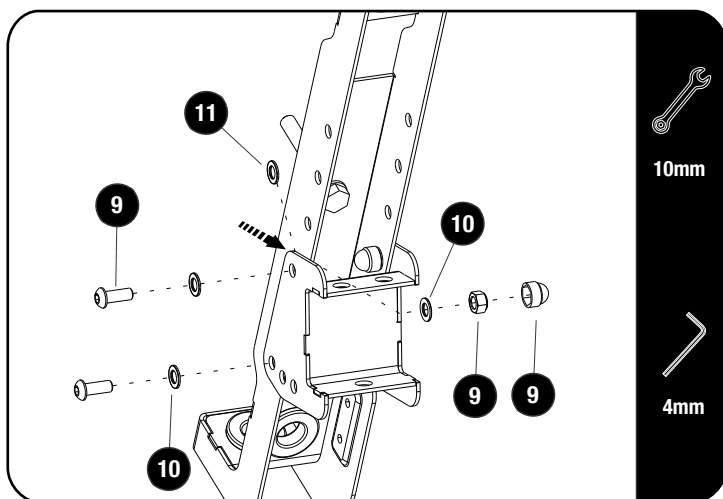
2**FIT AND SECURE**

2.1



Assemble an M8 x 60 Hex Bolt, two M8 x 16 x 1.6SS Flat Washers and one M8 Nyloc Nut to each of the Ladder Brackets (Items 5, 6 & 7) as shown.

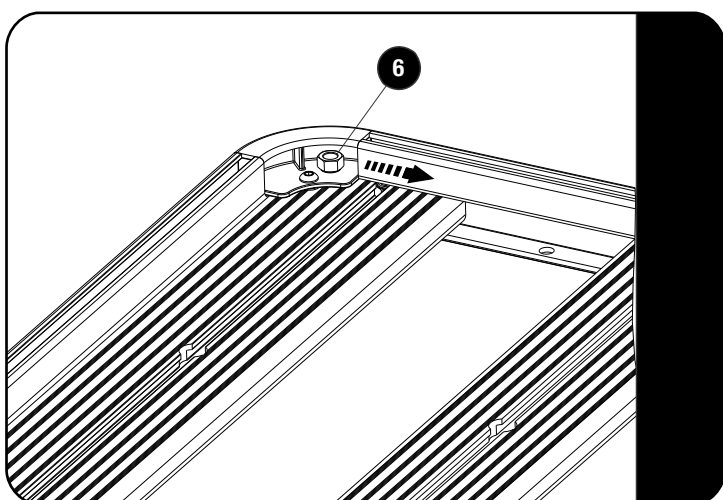
2.2



Assemble the Ladder Bracket and the Rack Mount Bracket using M6 x 16 Button Head Bolts, M6 x 12 x 1SS Flat Washers, M6 Nylon Washers and M6 Nyloc Nuts (Items 9, 10, 11 & 13) as shown.

! The M6 Nylon Washers goes between the rack mount bracket and the Ladder Bracket. Fully tighten all the M6 Button heads and finish of by placing M6 Nut Caps on all the Nyloc Nuts.

2.3

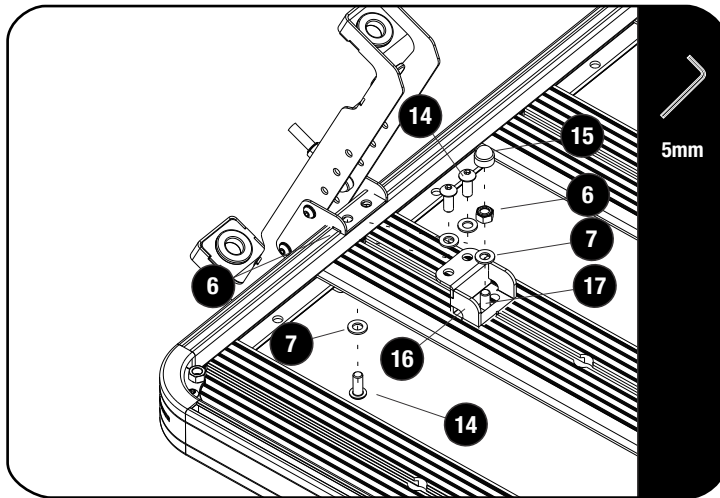


Slide four M8 Nyloc Nuts (Item 6), nyloc facing down in the side profile using the opening on the inside of the corner as show.

2

FIT AND SECURE

2.4



☻ Determine where is best suited to mount your ladder. It is recommended to place one mounting bracket over a slat.

Slide the M8 x 20 Hex bolt into the slat.

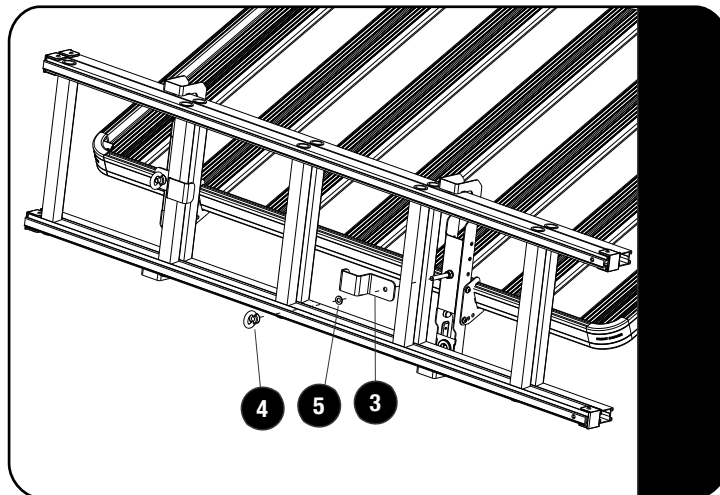
Secure the assembly from 2.2 together with the Support Bracket (Item 16) to the side profile and the slat using M8 x 20 Button Head Bolts, M8 x 16 x 1.6SS Flat Washers, the M8 x 20 Hex Bolt in the slat and M8 Nyloc Nuts as shown.

Use the ladder to determine the position for the second assembly. See 2.5.

Fully tighten both the assemblies.

Place a M8 Nut Cap on the Nyloc Nut as shown.

2.5



☻ Place the ladder in the Ladder Brackets as shown.

Slide the Clamps (Item 3) over the M8 x 60 Hex Bolt and tighten using M8 Eye Nuts and Nylon Washers (Item 4 & 5) as shown.

3

FINISH

Congratulations! You did it. Take a step back and admire your work!

4

INSTALL OTHER VEHICLE AND RACK ACCESSORIES

Now's the time to visit your favorite Front Runner Dealer in person or online.

Be sure to tag us. We love to see our gear in action! #FrontRunnerOutfitters #BornToRoam

Share your adventures on: 