

# START HERE!

## READ ME FIRST

Don't be a hero and muscle through this installation without reading these fitting instructions first! Improper installation of this gear may void certain aspects of your warranty.

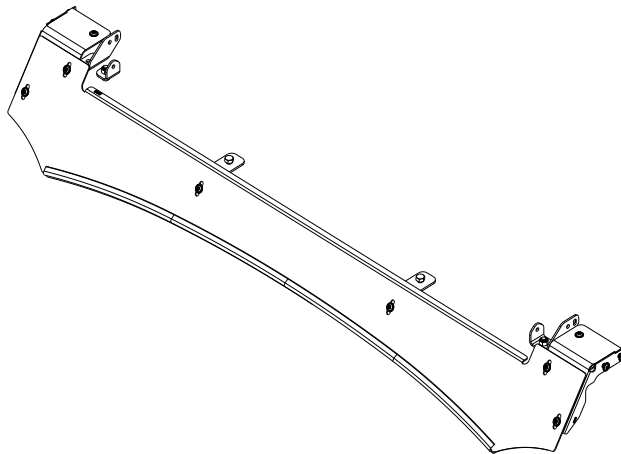
Before you begin, take a moment and open all your Front Runner rack kit boxes and gather the assembly instructions for the various components.

A complete kit will contain:

1. A Front Runner Mounting System specific to your vehicle
2. A Front Runner Rack Tray or Load Bar Slats

This document will guide you through the assembly of the mounting system and assist you in fitting the roof rack tray or load bars to your specific vehicle.

Please refer to the next page for a list of all the components, quantities and tools required.



### IMPORTANT WARNING!

IT IS CRITICAL THAT ALL FRONT RUNNER PRODUCTS BE PROPERLY AND SECURELY ASSEMBLED AND ATTACHED TO YOUR VEHICLE. IMPROPER ATTACHMENT COULD RESULT IN AN AUTOMOBILE ACCIDENT, AND COULD CAUSE SERIOUS BODILY INJURY OR DEATH. YOU ARE RESPONSIBLE FOR ASSEMBLING AND SECURING ALL FRONT RUNNER PRODUCTS TO YOUR VEHICLE, CHECKING THE ATTACHMENTS PRIOR TO USE, AND PERIODICALLY INSPECTING THE PRODUCTS FOR ADJUSTMENT, WEAR AND DAMAGE. THEREFORE, YOU MUST READ AND UNDERSTAND ALL OF THE INSTRUCTIONS AND PRECAUTIONS SUPPLIED WITH YOUR FRONT RUNNER PRODUCT PRIOR TO INSTALLATION OR USE. IF YOU DO NOT UNDERSTAND ALL OF THE INSTRUCTIONS AND CAUTIONS, OR IF YOU HAVE NO MECHANICAL EXPERIENCE AND ARE NOT THOROUGHLY FAMILIAR WITH THE INSTALLATION PROCEDURES, YOU SHOULD HAVE THE PRODUCT INSTALLED BY A PROFESSIONAL INSTALLER OR OTHER QUALIFIED PERSONNEL.

**NOTE:** Front Runner will not be responsible for any damage caused by the failure to install the product according to these instructions.

Please call us if you have any questions about the installation of this product.

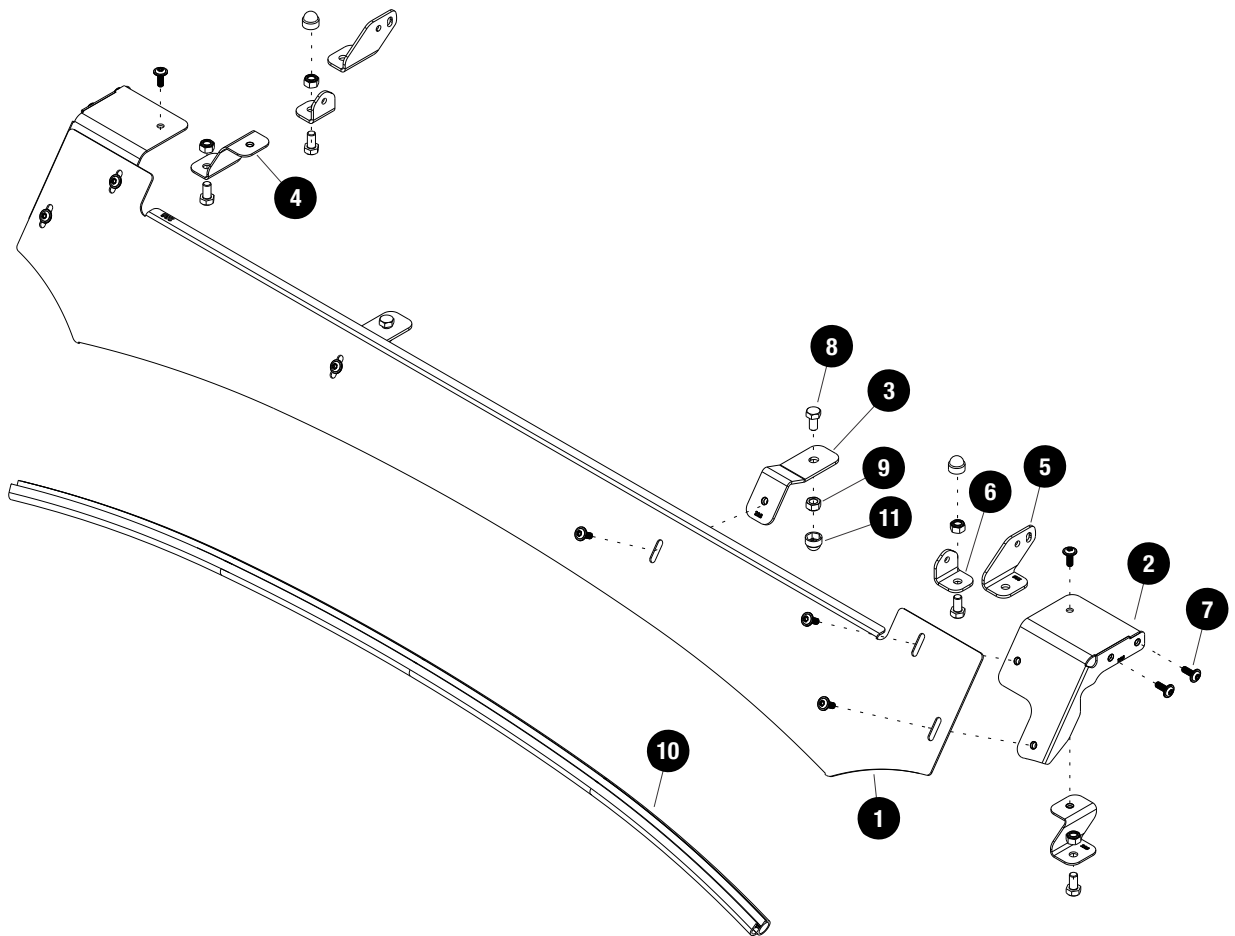
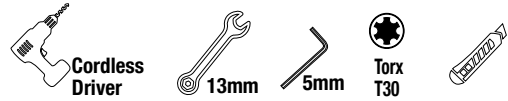


# 1 GET ORGANIZED

## IN THE BOX

1	1 X	Wind Fairing
2	2 X	Side Mounting Bracket LH/RH
3	2 X	Center Support Bracket
4	2 X	Inner Support Bracket LH/RH
5	2 X	Light Bar Bracket High Profile RH/LH
6	2 X	Light Bar Bracket Low Profile
7	12 X	M6 x 16 Button Head Flange Bolt
8	6 X	M8 x 16 Hex Bolt
9	6 X	M8 Nyloc Nut
10	1 X	Wind Fairing Rubber 1100mm long
11	4 X	M8 Nut Cap

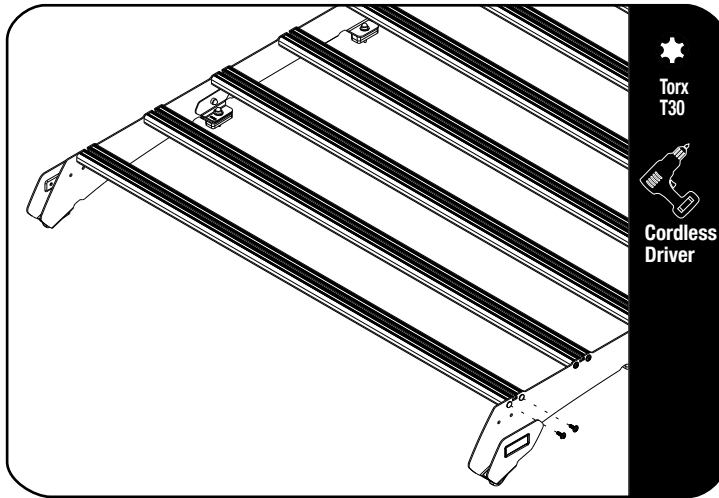
## TOOLS NEEDED



2

FIT AND SECURE

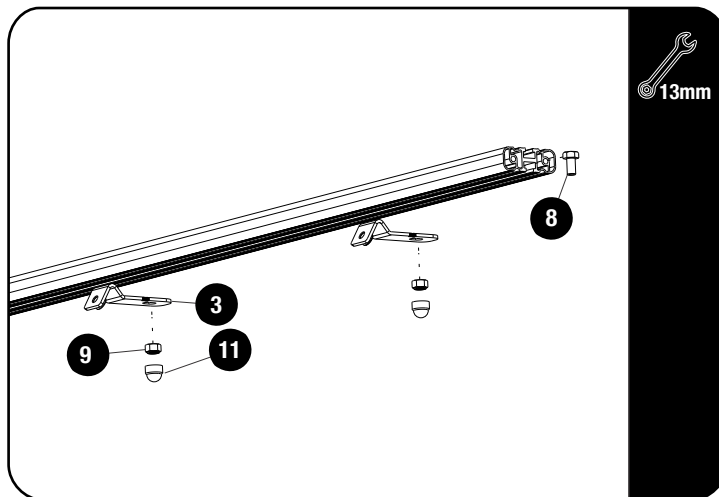
2.1



Remove the Slimsport Wind Fairing and Side Support Brackets if installed.

Loosen and remove the front slat and keep the fasteners to use later.

2.2



Slide two M8 x 16 Hex Head Bolts (Item 8) into the bottom T-slot of the front slat. Position the Center Support Brackets (Item 3) at equal distances from the middle of the slat using the Wind Fairing as a guide for the two positions, and secure using a M8 Nyloc Nut (Item 9).

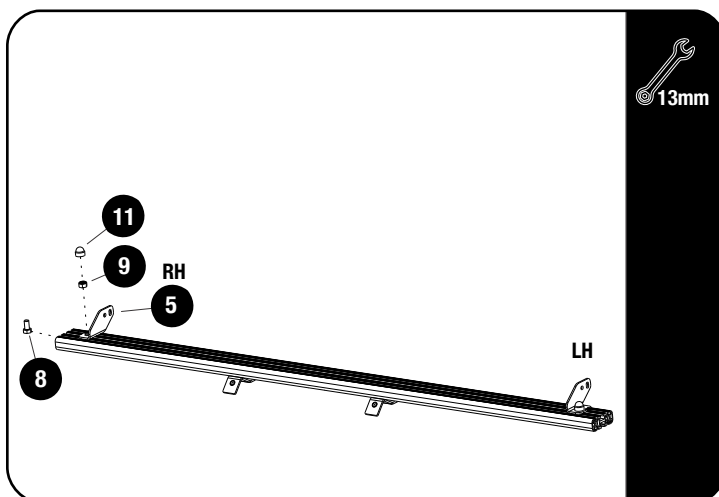
Fully tighten fasteners and place a M8 Nut Cap (Item 11) over each Nyloc Nut.



**Tightening Torque:**

M8 : 15-20Nm / 11.06 ft lb - 14.75 ft lb

2.3



Fit Light Bar High Profile Bracket LH / RH (Item 5) for the Front Runner 40" light bar, using M8 x 16 Hex Bolt & M8 Nyloc Nut (Items 8 & 9). Fit the light bar and center on the slat before fully tightening the brackets.

Place M8 Nut Caps (Item 11) over Nyloc Nuts.



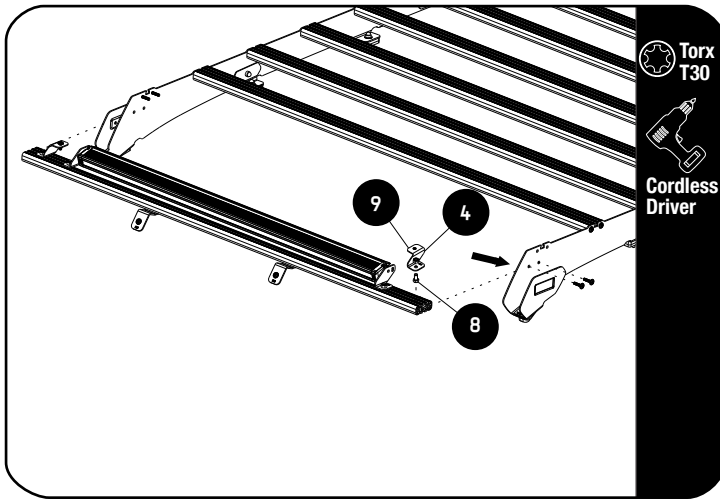
**Tightening Torque:**

M8 : 15-20Nm / 11.06 ft lb - 14.75 ft lb

2

FIT AND SECURE

2.4



Loosely fit the Inner Supports (Item 4) using M8 x 16 Hex Head Bolts (Item 8) and M8 Nyloc Nuts (Item 9).

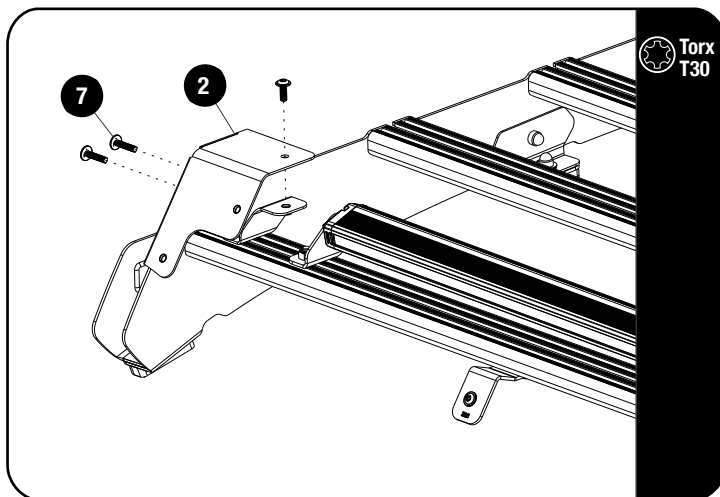
Secure assembly 2.3 to the front two bottom holes on the foot rails as shown using the fasteners removed in step 2.1. Fully tighten.



**Tightening Torque:**

M8 : 15-20Nm / 11.06 ft lb - 14.75 ft lb

2.5



Use the Wind Fairing Side Supports LH / RH (Item 2) to space the Inner Support installed in step 2.4 and the fully tighten the Inner Supports.

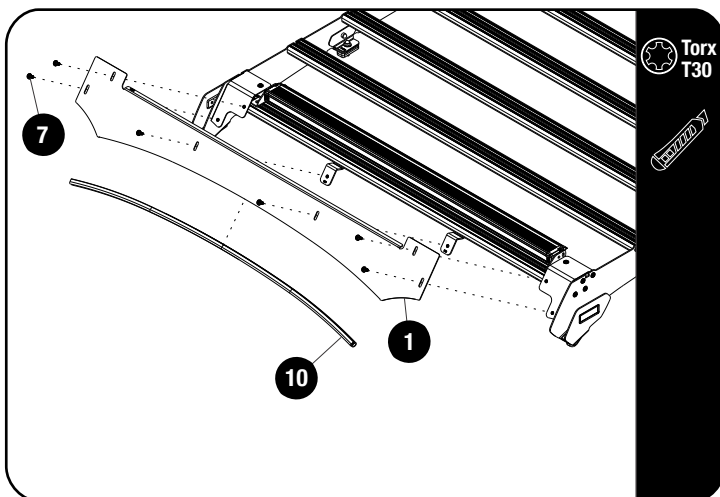
Secure the Wind Fairing Side Supports to the foot rails top holes as shown using M6 x 16 Flange Button Head Bolt (Item 10) and fully tighten.



**Tightening Torque:**

M6 : 8-10Nm / 5.9 ft lb - 7.38 ft lb

2.6



Fit the Wind Fairing Rubber (Item 10) to the Light Bar Wind Fairing (Item 1). Using the notched section as a guide, trim if needed.

Secure the Light Bar Wind Fairing to the rack assembly, using M6 x 16 Flange Button Head Bolts (Item 7) adjust height and fully tighten.



**Tightening Torque:**

M6 : 8-10Nm / 5.9 ft lb - 7.38 ft lb



4

## COMPLETION

4.1

Congratulations! You did it. Take a step back and admire your work!



5

## INSTALL OTHER VEHICLE AND RACK ACCESSORIES

Now's the time to visit your favorite Front Runner dealer in person or online.

### IMPORTANT!

FRONT RUNNER RACK KITS OFTEN HAVE A HIGHER LOAD RATING THAN THE VEHICLES THEY ARE MOUNTED TO. PLEASE REFER TO YOUR SPECIFIC VEHICLE MANUFACTURER FOR A RECOMMENDED ROOF RATING. FRONT RUNNER CANNOT BE RESPONSIBLE FOR IMPROPER LOADING BEYOND THE VEHICLE MANUFACTURER'S STATED LOAD CAPACITY.

Be sure to tag us. We love to see our gear in action! #FrontRunnerOutfitters #BornToRoam

Share your adventures on: 