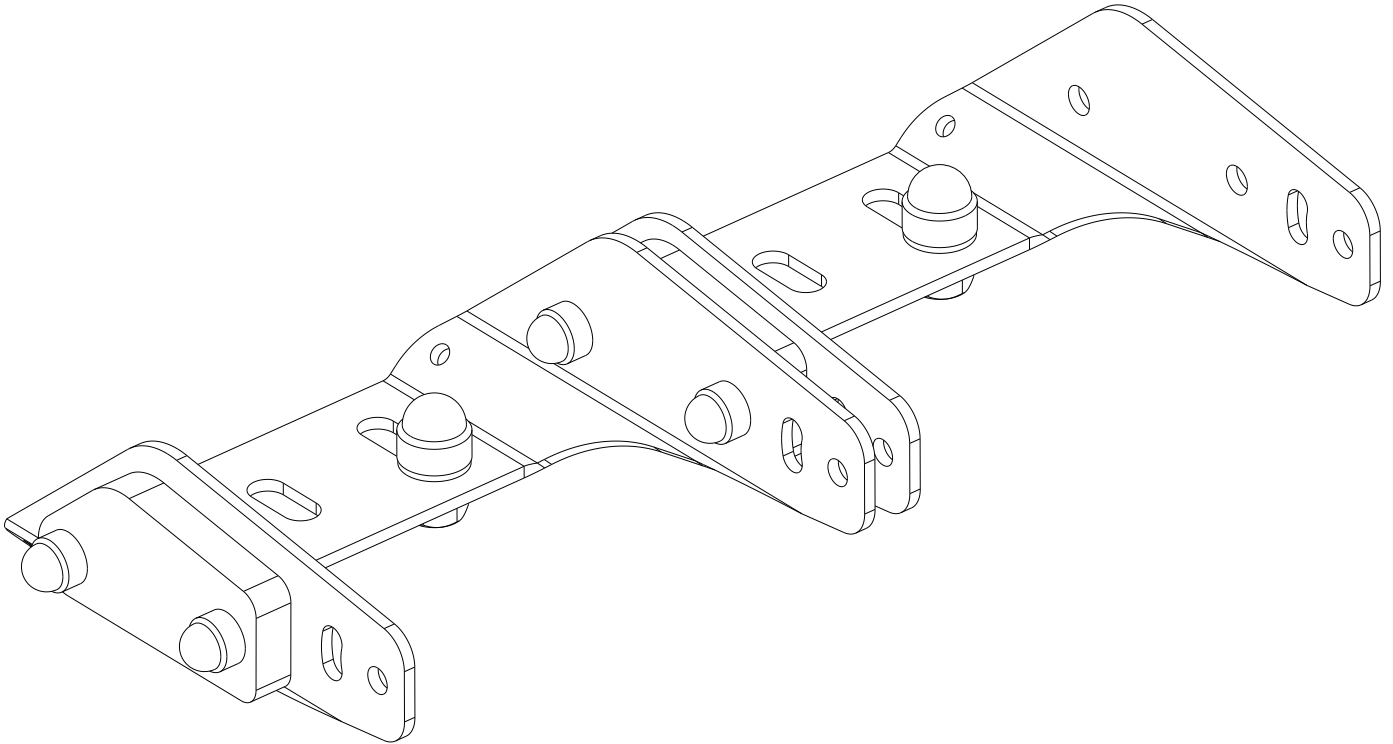


FRONT RUNNER BAJA DESIGNS LP4 SLIMSPORT MOUNTING KIT

ENG

RRAC295



READ ME !

Thank you for purchasing a Front Runner Baja Designs XL Linkable / LP Series Light Mounting Kit.
Before you start, take a moment to familiarize yourself with the Fitting Instructions and the components received.
Refer to Page 2 for a list of all the components, quantities and tools required.

IMPORTANT WARNING!

IT IS CRITICAL THAT ALL FRONT RUNNER PRODUCTS BE PROPERLY AND SECURELY ASSEMBLED AND ATTACHED TO YOUR VEHICLE. IMPROPER ATTACHMENT COULD RESULT IN AN AUTOMOBILE ACCIDENT, AND COULD CAUSE SERIOUS BODILY INJURY OR DEATH. YOU ARE RESPONSIBLE FOR ASSEMBLING AND SECURING ALL FRONT RUNNER PRODUCTS TO YOUR VEHICLE, CHECKING THE ATTACHMENTS PRIOR TO USE, AND PERIODICALLY INSPECTING THE PRODUCTS FOR ADJUSTMENT, WEAR AND DAMAGE. THEREFORE, YOU MUST READ AND UNDERSTAND ALL OF THE INSTRUCTIONS AND PRECAUTIONS SUPPLIED WITH YOUR FRONT RUNNER PRODUCT PRIOR TO INSTALLATION OR USE. IF YOU DO NOT UNDERSTAND ALL OF THE INSTRUCTIONS AND CAUTIONS, OR IF YOU HAVE NO MECHANICAL EXPERIENCE AND ARE NOT THOROUGHLY FAMILIAR WITH THE INSTALLATION PROCEDURES, YOU SHOULD HAVE THE PRODUCT INSTALLED BY A PROFESSIONAL INSTALLER OR OTHER QUALIFIED PERSONNEL.

NOTE: Front Runner will not be responsible for any damage caused by the failure to install the product according to these instructions.
Please call us if you have any questions about the installation of this product.

1

GET ORGANIZED

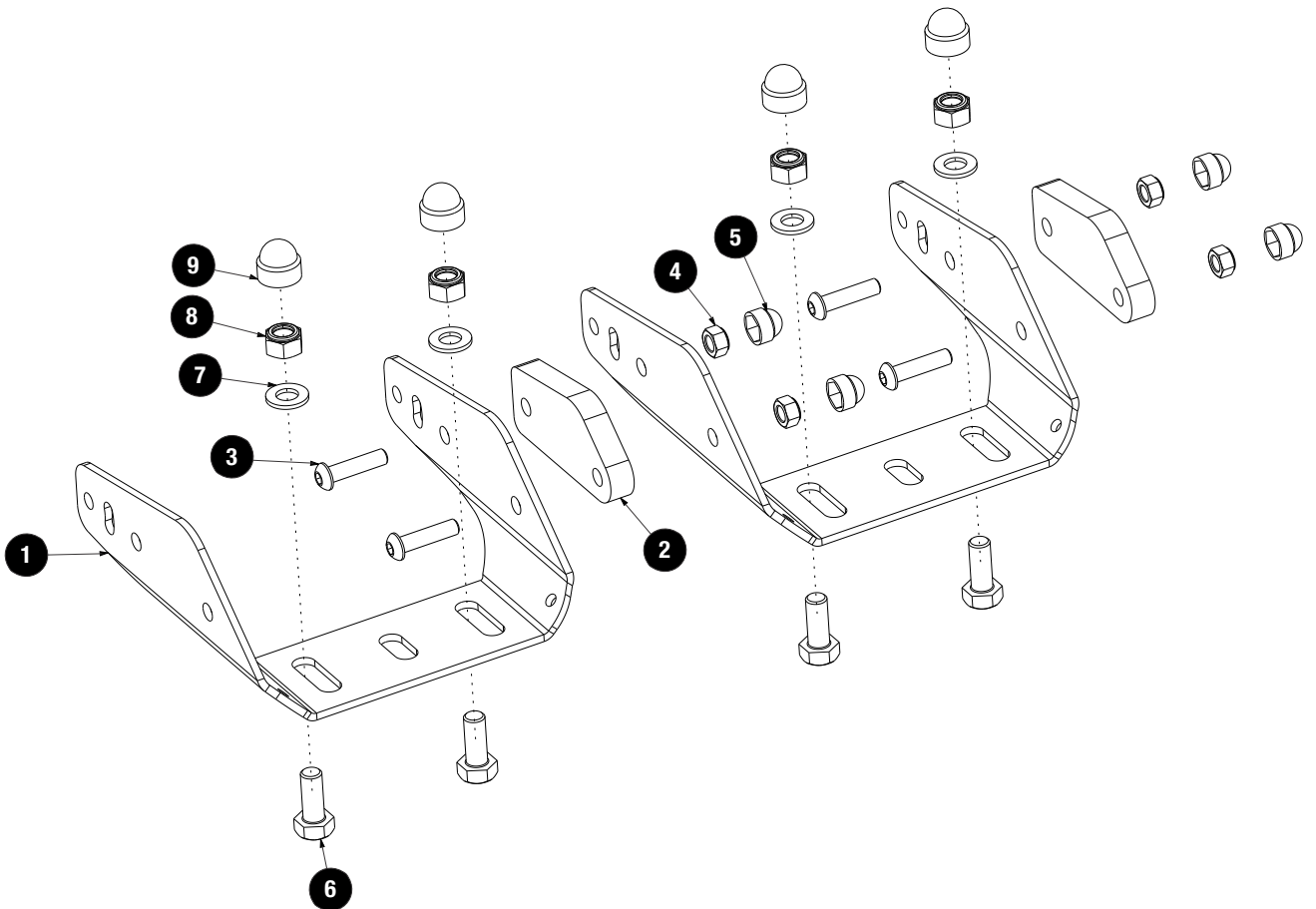
IN THE BOX

1	2 X	Mounting Bracket
2	2 X	Spacer 10mm
3	4 X	M6 x 25 Button Head Screw
4	4 X	M6 Nyloc Nut
5	4 X	M6 Nut Cap
6	4 X	M8 x 20 Hex Bolt
7	4 X	M8 x 16 x 1.6 flat Washer
8	4 X	M8 Nyloc Nut
9	4 X	M8 Nut Cap

TOOLS NEEDED



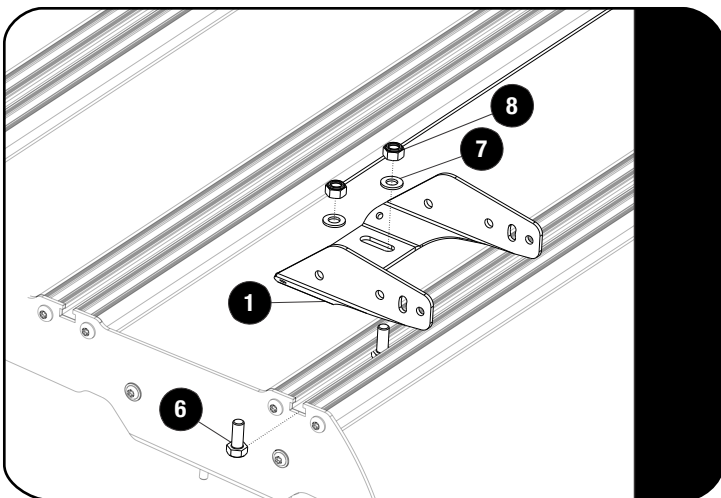
FIGURE 1.1



2

FIT AND SECURE A SINGLE BAJA LIGHT

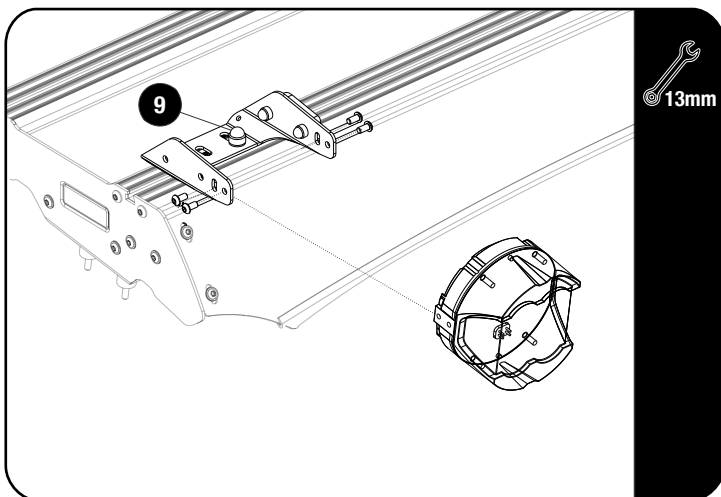
2.1



Slide M8 x 20 Hex Bolts (Item 6) into the slat as shown 2 bolts per bracket.

Loosely fit the Mounting Bracket (Item 1) to the M8 x 20 Hex bolts using the M8x16x1.6 Flat Washers and M8 Nyloc Nuts (Item 7 & 8).

2.2



Place your LP4 Light between the Mounting and secure using the fasteners supplied with the light.

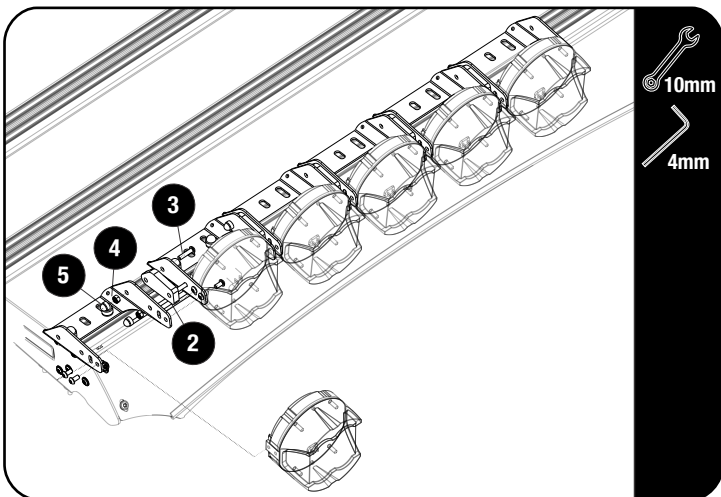
Move the light and bracket to the desired position and fully tighten the M8 Nyloc nuts. Place M8 Nut Caps (Item 9) over the M8 Nyloc nuts.



Tightening Torque:

M8 : 15-20Nm / 11.06 ft lb - 14.75 ft lb

2.3



When installing multiple lights, the brackets can be linked and secured together using the supplied spacer, M6 Button Head Bolts and M6 Nyloc Nuts (Item 2,3 & 4) to form a light bar



Tightening Torque:

M6 : 8-10Nm / 5.9 ft lb - 7.38 ft lb

Place the M6 Nut Caps (Item 5) over all M6 Nyloc Nuts.

Refer to Baja Designs website for further information.

3

FINISH

Congratulations! You did it. Take a step back and admire your work!

4

INSTALL OTHER VEHICLE AND RACK ACCESSORIES

Now's the time to visit your favorite Front Runner Dealer in person or online.

Be sure to tag us. We love to see our gear in action! #FrontRunnerOutfitters #BornToRoam

Share your adventures on: 