

DISH MOUNTING SCREWS NOT INCLUDED

READ ME ! ⚠

Thank you for purchasing a Starlink Antenna Rack Mount.

Before you start, take a moment to familiarize yourself with the Fitting Instructions and the included components.

Refer to Page 2 for a list of all the components, quantities and tools required.

IMPORTANT WARNING! ⚠

IT IS CRITICAL THAT ALL FRONT RUNNER PRODUCTS BE PROPERLY AND SECURELY ASSEMBLED AND ATTACHED TO YOUR VEHICLE. IMPROPER ATTACHMENT COULD RESULT IN AN AUTOMOBILE ACCIDENT, AND COULD CAUSE SERIOUS BODILY INJURY OR DEATH. YOU ARE RESPONSIBLE FOR ASSEMBLING AND SECURING ALL FRONT RUNNER PRODUCTS TO YOUR VEHICLE, CHECKING THE ATTACHMENTS PRIOR TO USE, AND PERIODICALLY INSPECTING THE PRODUCTS FOR ADJUSTMENT, WEAR AND DAMAGE. THEREFORE, YOU MUST READ AND UNDERSTAND ALL OF THE INSTRUCTIONS AND PRECAUTIONS SUPPLIED WITH YOUR FRONT RUNNER PRODUCT PRIOR TO INSTALLATION OR USE. IF YOU DO NOT UNDERSTAND ALL OF THE INSTRUCTIONS AND CAUTIONS, OR IF YOU HAVE NO MECHANICAL EXPERIENCE AND ARE NOT THOROUGHLY FAMILIAR WITH THE INSTALLATION PROCEDURES, YOU SHOULD HAVE THE PRODUCT INSTALLED BY A PROFESSIONAL INSTALLER OR OTHER QUALIFIED PERSONNEL.

NOTE: Front Runner will not be responsible for any damage caused by the failure to install the product according to these instructions.

Please call us if you have any questions about the installation of this product.

1

GET ORGANIZED

IN THE BOX

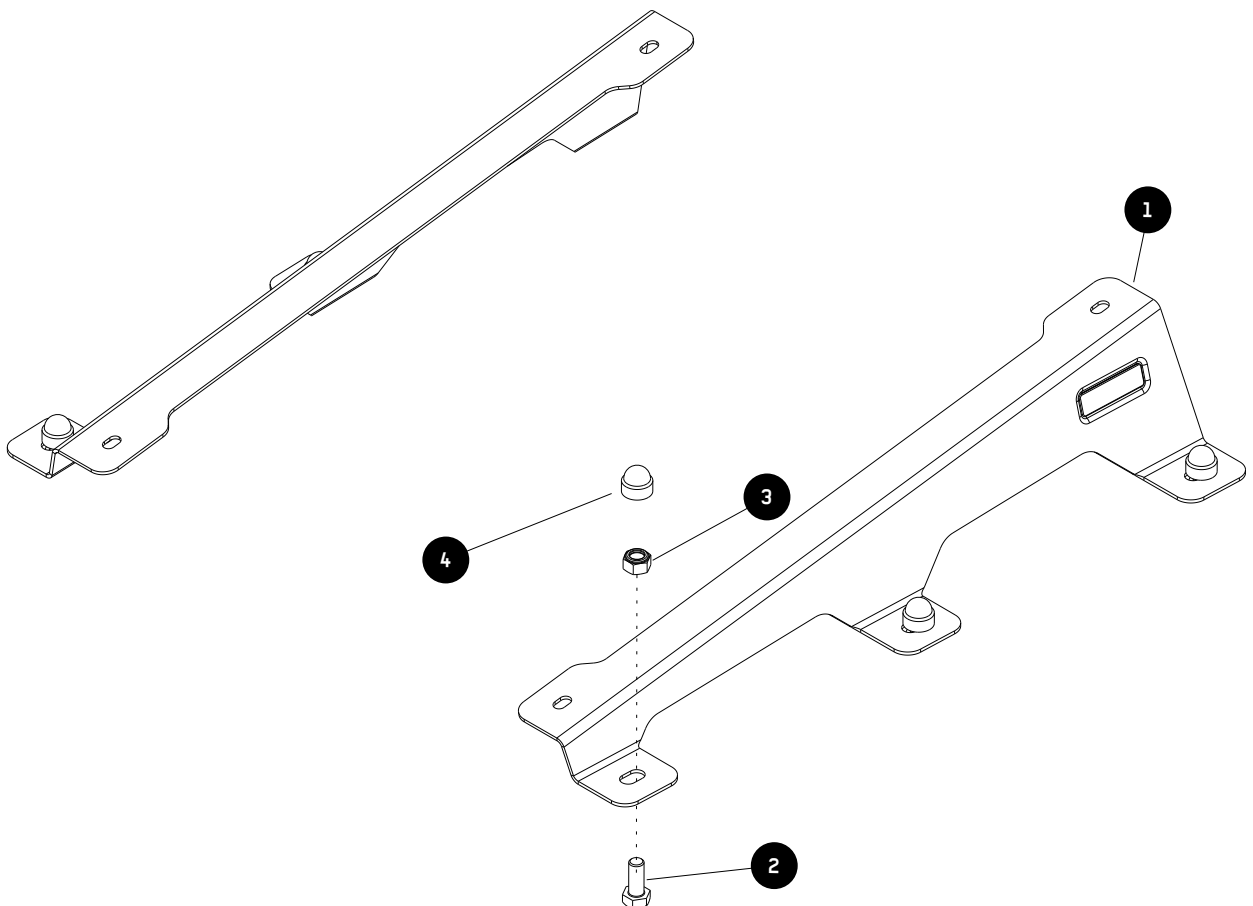
1	2 X	Mounting Bracket Assembly - 1 LH & 1 RH
2	6 X	M8 x 20 Hex Bolt
3	6 X	M8 Nyloc Nut
4	6 X	M8 Nut Cap

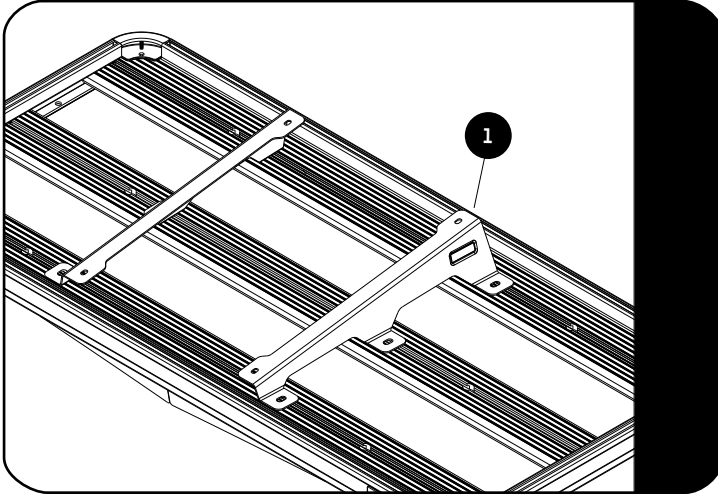
TOOLS NEEDED



DISH MOUNTING SCREWS NOT INCLUDED

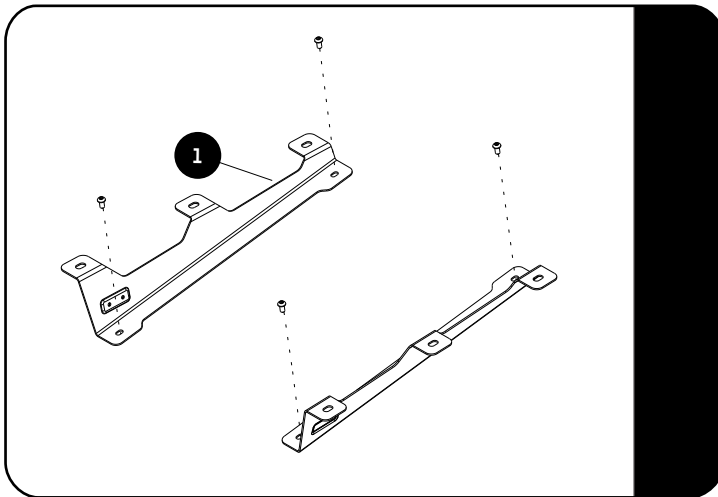
FIGURE 1.1



2**FIT AND SECURE****2.1**

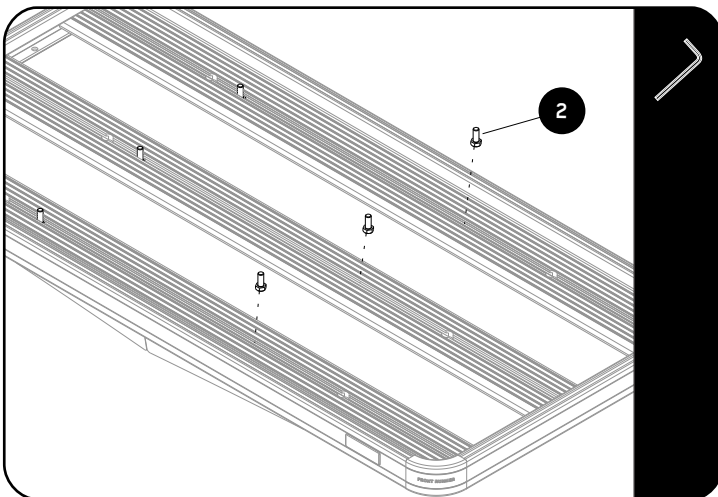
To fit the Mounting Brackets (Item 1), start by choosing the position of the bracket on the Rack.

The Starlink is angled downward when installed to allow for water shedding when the vehicle is stationary.

2.2

On a suitable flat surface, fit the Mounting Brackets (Item 1) to the Starlink mounting holes on the underside using the bolts (1/4 UNC x 1/2") included in your Starlink's kit.

Fully tighten.

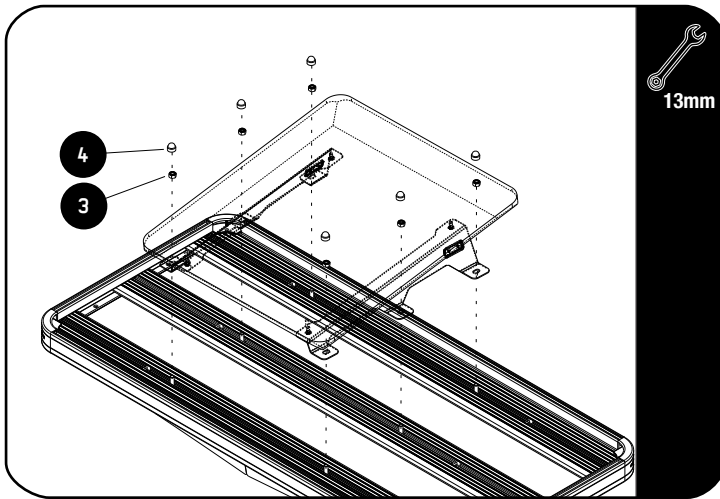
2.3

Insert two M8 x 20 Hex Bolts (Item 2) into the T-slots of three consecutive slats, in the position chosen in Step 2.1

2

FIT AND SECURE

2.4



Place the Assembled Starlink and Mounting Brackets over the bolts and adjust the position, if necessary.

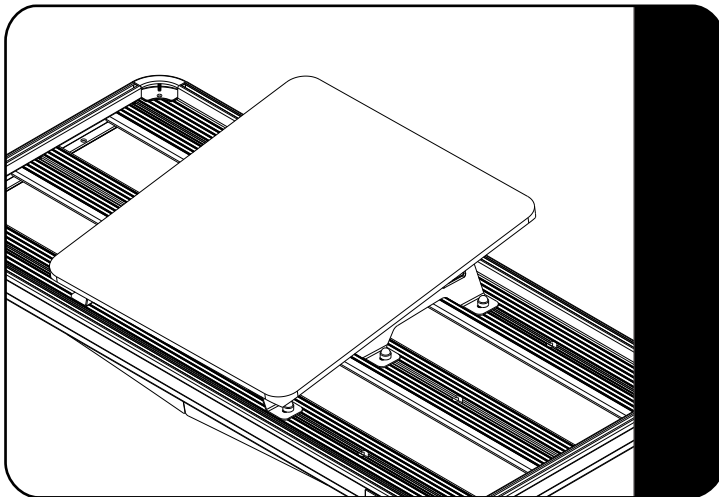
Assemble using six M8 Nyloc Nuts (Item 3).

Tightening Torque:

M8 : 15-20Nm / 11.06 ft lb - 14.75 ft lb

Fully tighten all fasteners and place M8 Nut Caps (Item 4) over all M8 Nyloc Nuts.

2.5



Follow the Instructions included with the Starlink for cable connection.

3

FINISH

Congratulations! You did it. Take a step back and admire your work!

4

INSTALL OTHER VEHICLE AND RACK ACCESSORIES

Now's the time to visit your favorite Front Runner Dealer in person or online.

Be sure to tag us. We love to see our gear in action! #FrontRunnerOutfitters #BornToRoam

Share your adventures on:    