

READ ME !

Thank you for purchasing a Front Runner Quick Release Awning Mount Kit.

Before you start, take a moment to familiarize yourself with the Fitting Instructions and the components received.

Refer to Page 2 for a list of all the components, quantities and tools required.

IMPORTANT WARNING!

IT IS CRITICAL THAT ALL FRONT RUNNER PRODUCTS BE PROPERLY AND SECURELY ASSEMBLED AND ATTACHED TO YOUR VEHICLE. IMPROPER ATTACHMENT COULD RESULT IN AN AUTOMOBILE ACCIDENT, AND COULD CAUSE SERIOUS BODILY INJURY OR DEATH. YOU ARE RESPONSIBLE FOR ASSEMBLING AND SECURING ALL FRONT RUNNER PRODUCTS TO YOUR VEHICLE, CHECKING THE ATTACHMENTS PRIOR TO USE, AND PERIODICALLY INSPECTING THE PRODUCTS FOR ADJUSTMENT, WEAR AND DAMAGE. THEREFORE, YOU MUST READ AND UNDERSTAND ALL OF THE INSTRUCTIONS AND PRECAUTIONS SUPPLIED WITH YOUR FRONT RUNNER PRODUCT PRIOR TO INSTALLATION OR USE. IF YOU DO NOT UNDERSTAND ALL OF THE INSTRUCTIONS AND CAUTIONS, OR IF YOU HAVE NO MECHANICAL EXPERIENCE AND ARE NOT THOROUGHLY FAMILIAR WITH THE INSTALLATION PROCEDURES, YOU SHOULD HAVE THE PRODUCT INSTALLED BY A PROFESSIONAL INSTALLER OR OTHER QUALIFIED PERSONNEL.

NOTE: Front Runner will not be responsible for any damage caused by the failure to install the product according to these instructions.

Please call us if you have any questions about the installation of this product.

1 GET ORGANIZED

IN THE BOX

1	2 X	Rack Bracket
2	2 X	Rack Stiffener
3	2 X	M8 x 25 Button Head Bolt
4	2 X	M8 x 16 Hex Head Bolt
5	2 X	M8 Nyloc Nut
6	2 X	M8 Nut Cap

TOOLS NEEDED

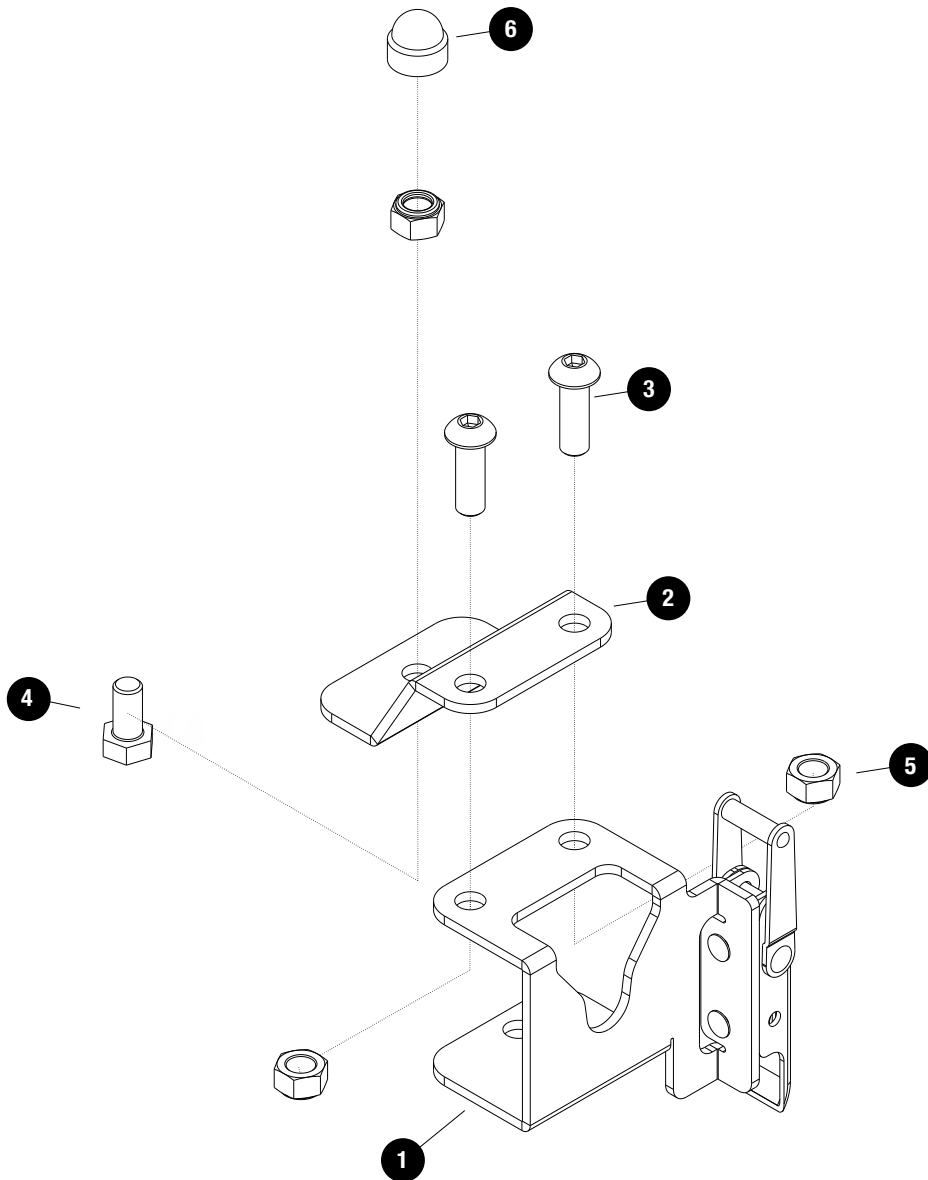


13mm



5mm

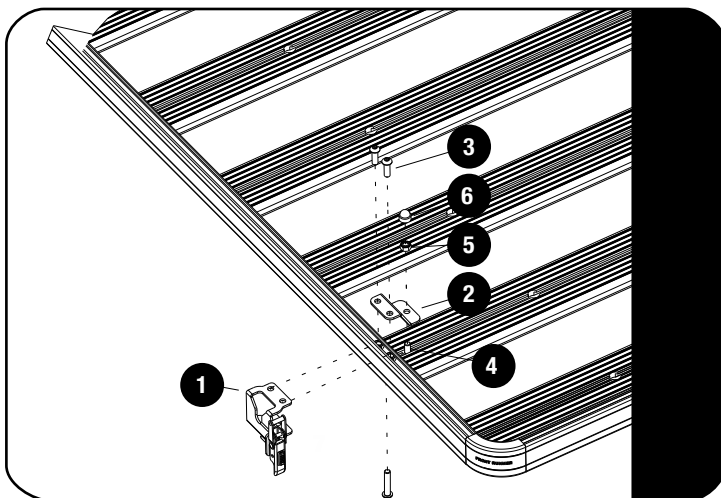
FIGURE 1.1



2

FIT AND SECURE

2.1



Choosing the slats that match the pitch of the brackets on the other side of the vehicle, remove the Button Head Bolt at the bottom of the side profile and slat.

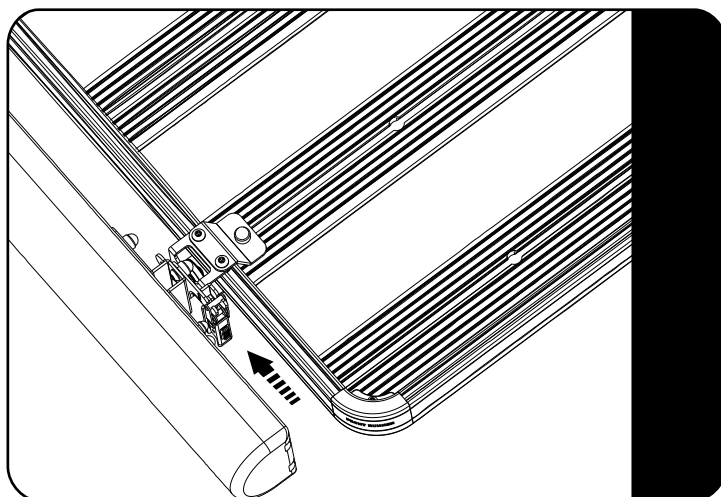
Load the side profile with 2 M8 Nyloc Nuts, with Nyloc facing downwards. (Removing the rack corner is optional, for ease of fitment). Load the chosen slat with the M8 x 16 Hex Bolt, using the slat pocket.

Place the Rack Mount Brackets (Item 1) over the side profile, followed by the Rack Support (Item 2) and secure using M8 x 25 Button Head Bolts, M8 x 16 Hex Bolts and M8 Nyloc Nuts (Items 3, 4 & 5) as shown. Refit the previously removed Button Head Bolt.

Fully Tighten all fasteners.

Finish off by placing M8 Nut Caps (Item 6) on the Nyloc Nuts.

2.2



Tightening Torque:

M8 : 15-20Nm / 11.06 ft lb - 14.75 ft lb



Position the awning over the Rack Brackets and slot down into position.

Place the hoop of the latch over the hook of the Catch on the Mounting Bracket.

Close the Latch to secure the awning.

3

FINISH

Congratulations! You did it. Take a step back and admire your work!

4

INSTALL OTHER VEHICLE AND RACK ACCESSORIES

Now's the time to visit your favorite Front Runner Dealer in person or online.

Be sure to tag us. We love to see our gear in action! #FrontRunnerOutfitters #BornToRoam

Share your adventures on:

