

## READ ME !

Thank you for purchasing a Dometic Perfectwall Awning Mounting Brackets.

Before you start, take a moment to familiarize yourself with the Fitting Instructions and the included components.

Refer to Page 2 for a list of all the components, quantities and tools required.

## IMPORTANT WARNING!

IT IS CRITICAL THAT ALL FRONT RUNNER PRODUCTS BE PROPERLY AND SECURELY ASSEMBLED AND ATTACHED TO YOUR VEHICLE. IMPROPER ATTACHMENT COULD RESULT IN AN AUTOMOBILE ACCIDENT, AND COULD CAUSE SERIOUS BODILY INJURY OR DEATH. YOU ARE RESPONSIBLE FOR ASSEMBLING AND SECURING ALL FRONT RUNNER PRODUCTS TO YOUR VEHICLE, CHECKING THE ATTACHMENTS PRIOR TO USE, AND PERIODICALLY INSPECTING THE PRODUCTS FOR ADJUSTMENT, WEAR AND DAMAGE. THEREFORE, YOU MUST READ AND UNDERSTAND ALL OF THE INSTRUCTIONS AND PRECAUTIONS SUPPLIED WITH YOUR FRONT RUNNER PRODUCT PRIOR TO INSTALLATION OR USE. IF YOU DO NOT UNDERSTAND ALL OF THE INSTRUCTIONS AND CAUTIONS, OR IF YOU HAVE NO MECHANICAL EXPERIENCE AND ARE NOT THOROUGHLY FAMILIAR WITH THE INSTALLATION PROCEDURES, YOU SHOULD HAVE THE PRODUCT INSTALLED BY A PROFESSIONAL INSTALLER OR OTHER QUALIFIED PERSONNEL.

**NOTE:** Front Runner will not be responsible for any damage caused by the failure to install the product according to these instructions.

Please call us if you have any questions about the installation of this product.

# 1

## GET ORGANIZED

### IN THE BOX

1	3 X	High Slat Position Bracket
2	3 X	Awning Mount
3	3 X	Low Slat Position Bracket
4	6 X	M8 x 20 Hex Bolt
5	18 X	M8 Nyloc Nut
6	6 X	M8 Nut Cap
7	3 X	M6 x 16 Button Head Bolt
8	6 X	M8 x 16 Button Head Bolt
9	6 X	M8 x 16 Hex Bolt
10	6 X	M8 x 20 Square Neck Bolt
11	9 X	M6 x 12 x 1 Flat Washer
12	9 X	M6 Nyloc Nut
13	3 X	M6 x 16 Countersink Socket Screw

### TOOLS NEEDED

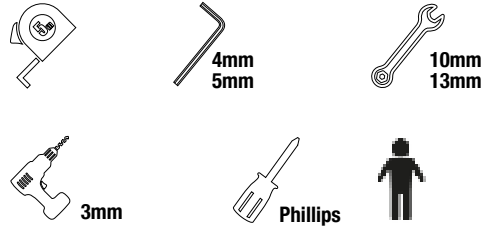
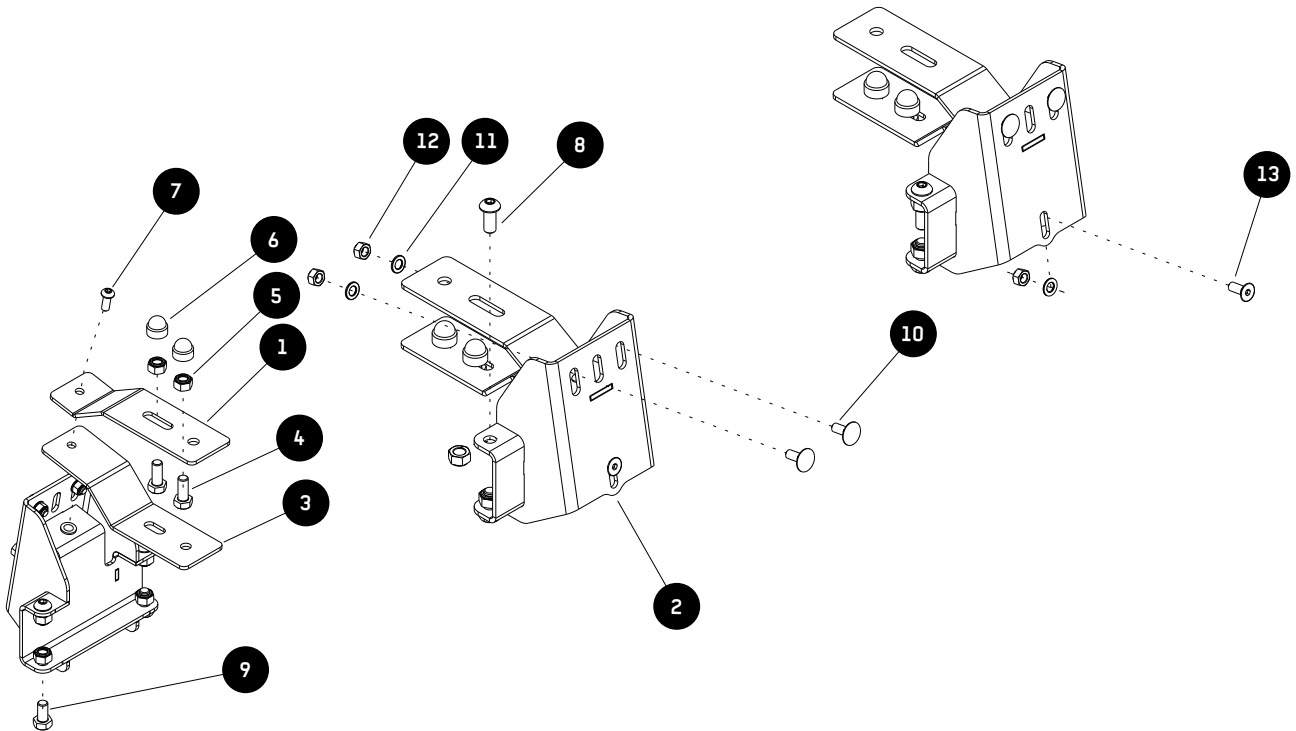
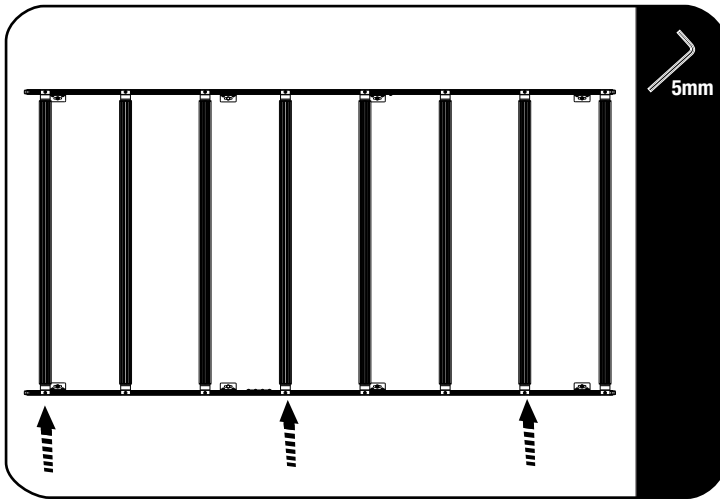


FIGURE 1.1

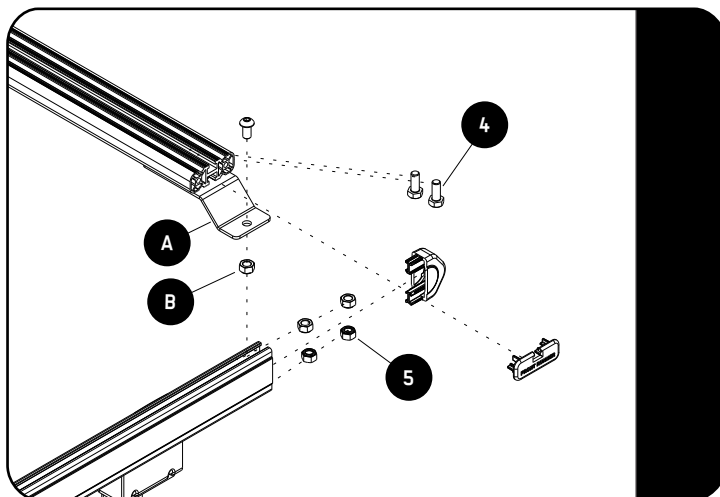


2.1



The Awning is mounted on all three brackets, two in the outer positions and the third centrally. Once you have decided on the awning's position, you need to identify the three slats that need to be used.

2.2



Loosen both Z brackets (Item A) of each slat chosen for the awning brackets as well as the Z brackets of each slat between the central bracket and one of the outer slats.

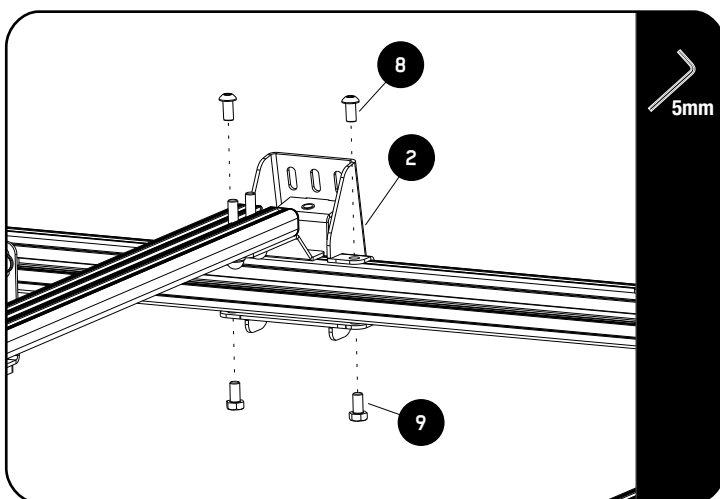
Remove Hardware and End Caps.

Insert two M8 x 20 Hex Bolts (Item 4) into the top T-slot of the slats where the brackets will be mounted.

Insert one M8 Nyloc Nut (Item 5) into the top and bottom slots of the side profile, respectively. Then slide the original nut (Item B) from the Z bracket into the top of the side profile. Insert an additional M8 Nyloc Nut (Item 5) into the top and bottom as above.

Repeat for all brackets.

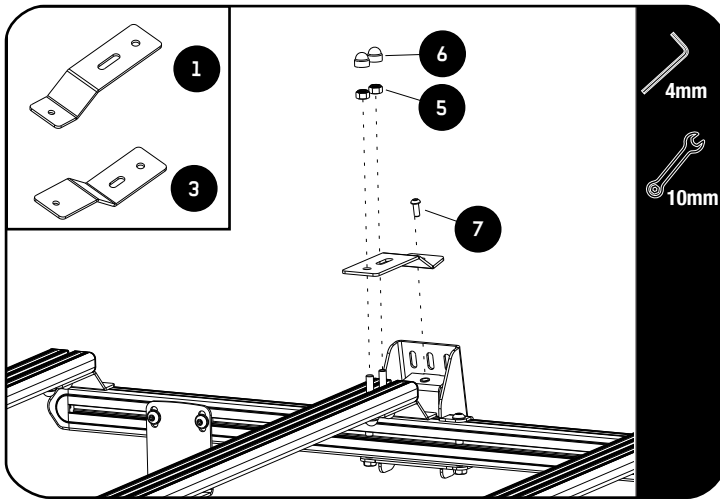
2.3



Secure the top of the Awning Mounting Brackets (Item 2) using M8 x 16 Button Head Bolts (Item 8) and M8 Nyloc Nuts (Item 5) from step 2.2.

Secure the bottom of the Awning Mounting Brackets (Item 2) using M8 x 16 Hex Bolts (Item 9) and M8 Nyloc Nuts (Item 5) from step 2.2.

Refit the slats loosened in step 2.1 and ensure that the center of the slat is aligned with the center of the Awning Mounting Bracket.

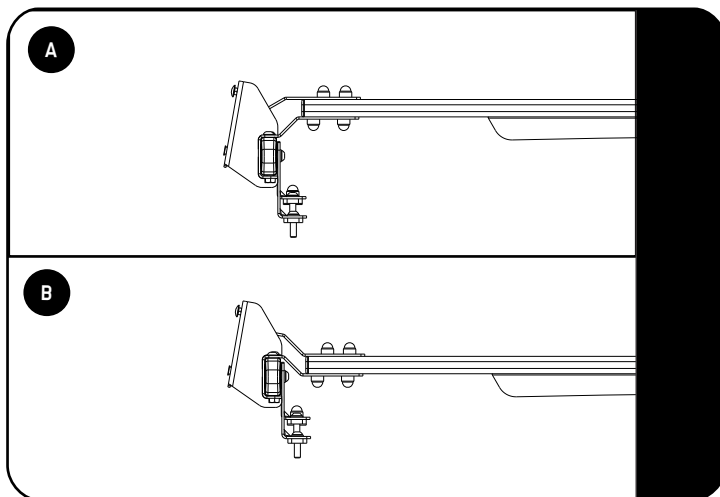
**2****FIT AND SECURE****2.4**

Secure the High Slat Position Support Bracket (Item 1) or Low Slat Position Support Bracket (Item 3) to the Awning Mounting Bracket (Item 2) using one M6 x 16 Button Head Bolt (Item 7).

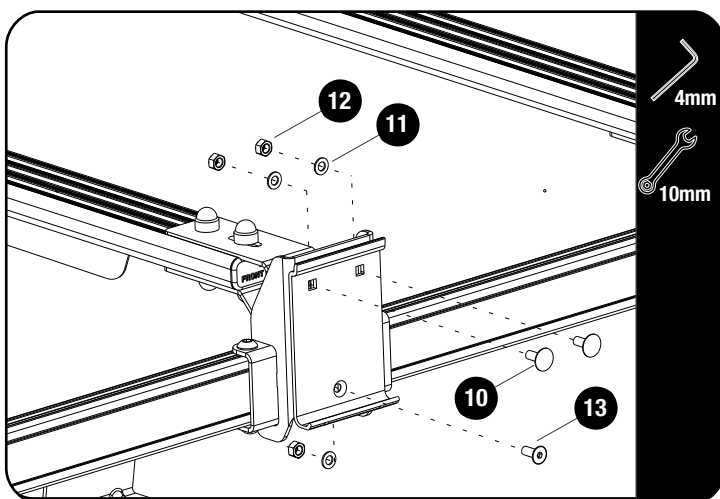
Secure the correct Support Bracket to the slat with M8 x 20 Hex Bolts, as inserted in step 2.2, and M8 Nyloc Nuts (Item 5).

Fully tighten all fasteners.

Place M8 Nut Caps (Item 6) on M8 Nyloc Nuts (Item 5) as shown.

**2.5**

Take note which Support Bracket should be used. Item 1 as shown in step 2.4 for High/Raised Slat position (A) or Item 3 as shown in step 2.4 for Low/Inverted Slat position (B).

**2.6**

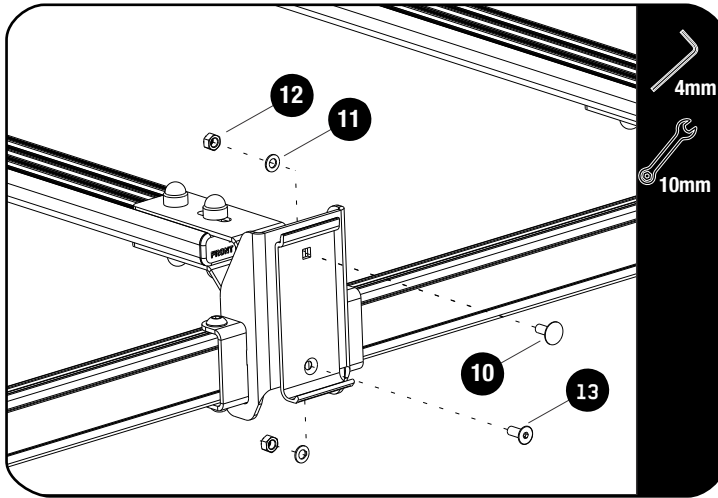
Secure the adapter (supplied with the awning) to the Awning Mounting Bracket using M6 x 16 Square Neck Bolts, M6 x 16 Countersink Socket Screw, M6 x 12 x 1 Flat Washer and M6 Nyloc Nuts (Items 10, 13, 11 and 12).

Refer to Dometic Awning Fitment Guide for assistance.



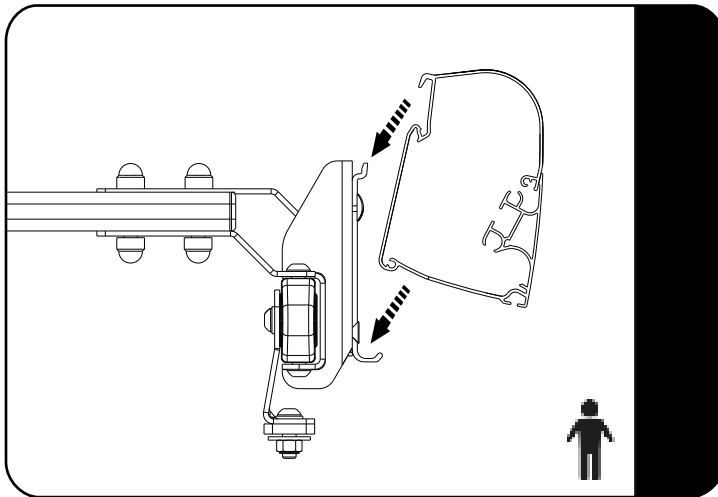
**2****FIT AND SECURE**

2.7



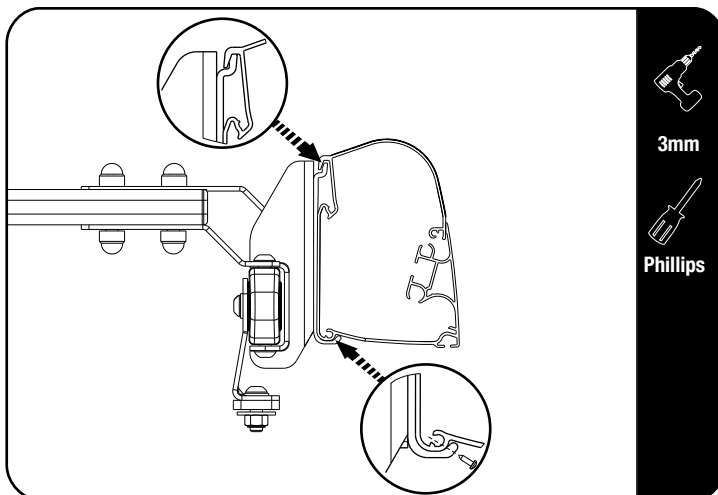
Depending on the length of your Dometic Awning, you may need either a narrow adapter or a wide adapter (shown in 2.6) mounted to the center Awning Mounting Bracket.

2.8



With the help of a friend, hook the awning onto the adapter as shown in step 2.6 and 2.7.

2.9



Using a 3mm drill bit, drill through the pre-drilled holes in the adapter, into and through the first skin of the awning.

Use the self tapping screws supplied with the awning to secure the awning to the adapters, as shown.

Fully tighten all fasteners and refit end caps.

3

### FINISH

Congratulations! You did it. Take a step back and admire your work!

4

### INSTALL OTHER VEHICLE AND RACK ACCESSORIES

Now's the time to visit your favorite Front Runner Dealer in person or online.

Be sure to tag us. We love to see our gear in action! #FrontRunnerOutfitters #BornToRoam

Share your adventures on:

