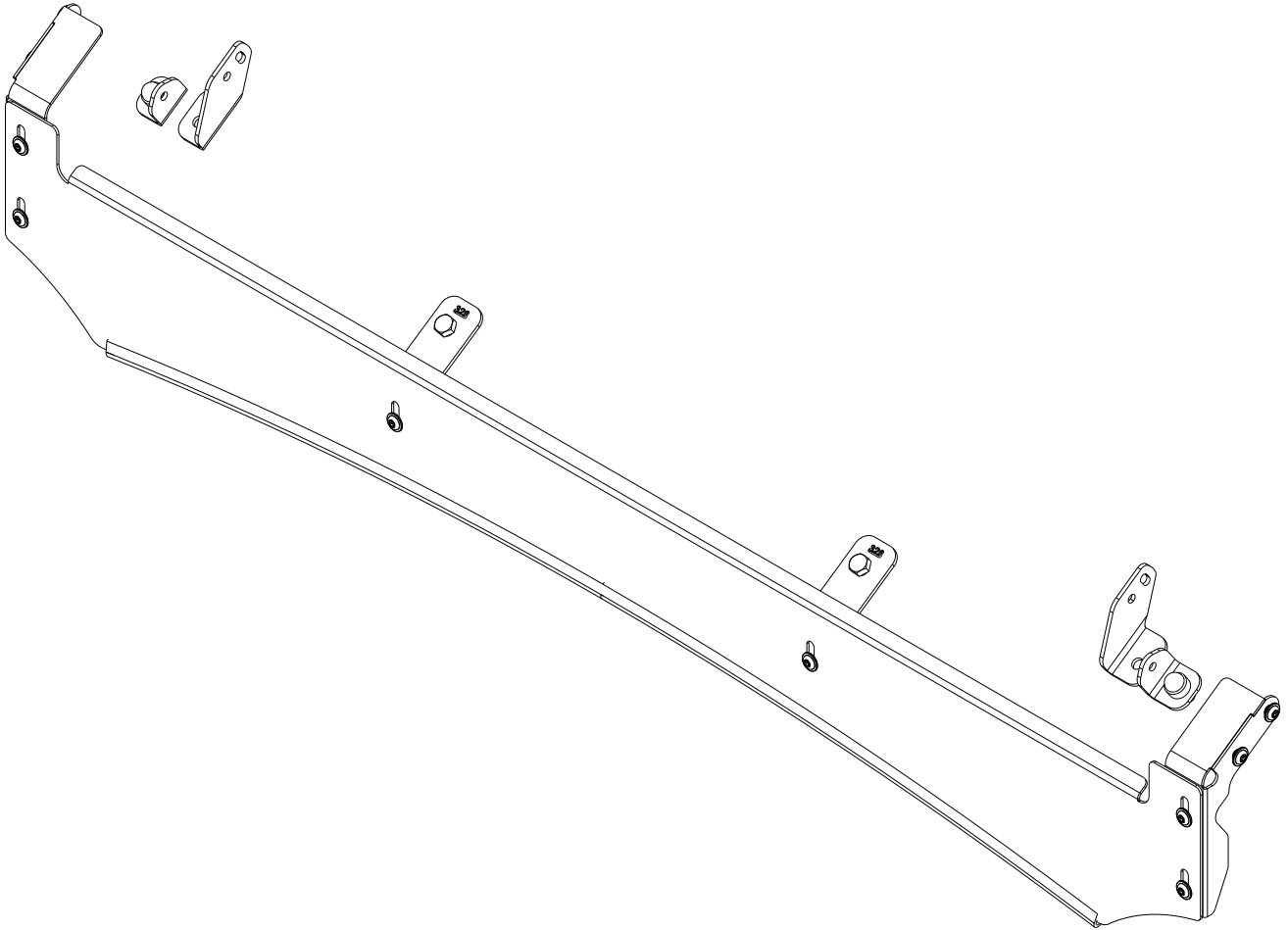


FRONT RUNNER

SUBARU OUTBACK 6TH GEN (2020 - CURRENT) SLIMSPORT RACK 40" LIGHT BAR WIND FAIRING

ENG

RRAC328



READ ME !

Thank you for purchasing a Front Runner Subaru Outback Gen 6 (2020 - Current) Slimsport Rack 40" Light Bar Wind Fairing.

Before you start, take a moment to familiarize yourself with the Fitting Instructions and the included components.

Refer to Page 2 for a list of all the components, quantities and tools required.

IMPORTANT WARNING!

IT IS CRITICAL THAT ALL FRONT RUNNER PRODUCTS BE PROPERLY AND SECURELY ASSEMBLED AND ATTACHED TO YOUR VEHICLE. IMPROPER ATTACHMENT COULD RESULT IN AN AUTOMOBILE ACCIDENT, AND COULD CAUSE SERIOUS BODILY INJURY OR DEATH. YOU ARE RESPONSIBLE FOR ASSEMBLING AND SECURING ALL FRONT RUNNER PRODUCTS TO YOUR VEHICLE, CHECKING THE ATTACHMENTS PRIOR TO USE, AND PERIODICALLY INSPECTING THE PRODUCTS FOR ADJUSTMENT, WEAR AND DAMAGE. THEREFORE, YOU MUST READ AND UNDERSTAND ALL OF THE INSTRUCTIONS AND PRECAUTIONS SUPPLIED WITH YOUR FRONT RUNNER PRODUCT PRIOR TO INSTALLATION OR USE. IF YOU DO NOT UNDERSTAND ALL OF THE INSTRUCTIONS AND CAUTIONS, OR IF YOU HAVE NO MECHANICAL EXPERIENCE AND ARE NOT THOROUGHLY FAMILIAR WITH THE INSTALLATION PROCEDURES, YOU SHOULD HAVE THE PRODUCT INSTALLED BY A PROFESSIONAL INSTALLER OR OTHER QUALIFIED PERSONNEL.

NOTE: Front Runner will not be responsible for any damage caused by the failure to install the product according to these instructions.

Please call us if you have any questions about the installation of this product.



1 GET ORGANIZED

IN THE BOX

1	1 X	Light Bar Wind Fairing
2	2 X	Side Support Assembly - 1 LH & 1 RH
3	2 X	Center Support Assembly
4	1 X	Wind Fairing Rubber - 950mm Long
5	2 X	Light Bar Mounting Bracket - High Profile - 1 LH & 1 RH
6	2 X	Light Bar Mounting Bracket - Low Profile
7	10 X	M6 x 16 Button Head Flange Bolt
8	4 X	M8 x 16 Hex Bolt
9	4 X	M8 Nyloc Nut
10	4 X	M8 Nut Cap
11	1 X	Clear Vinyl Strip

TOOLS NEEDED

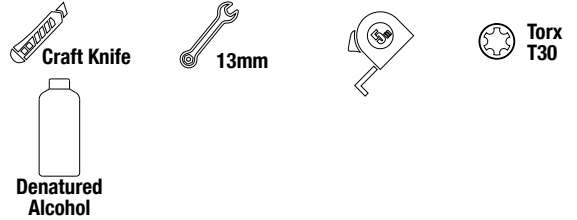
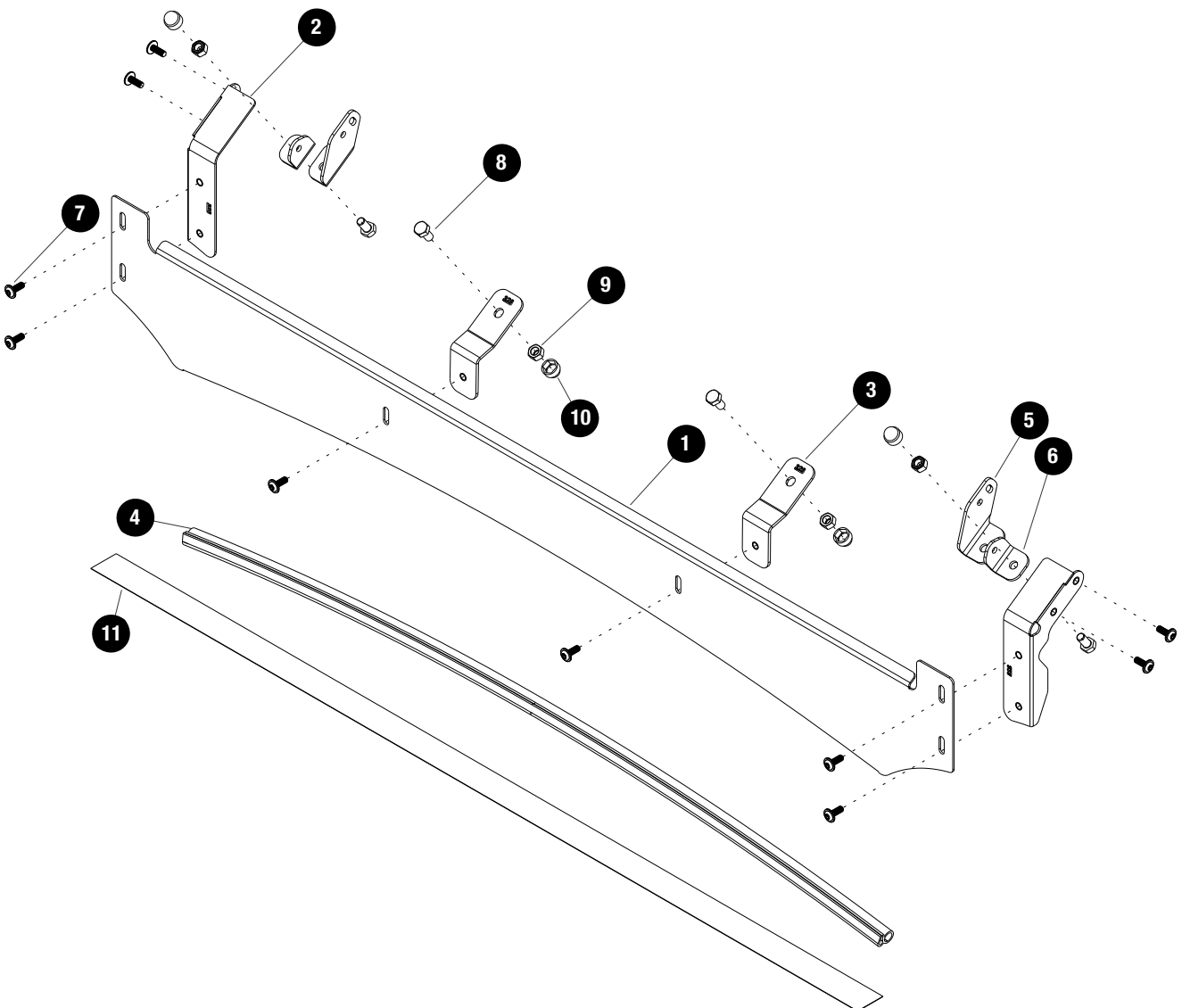


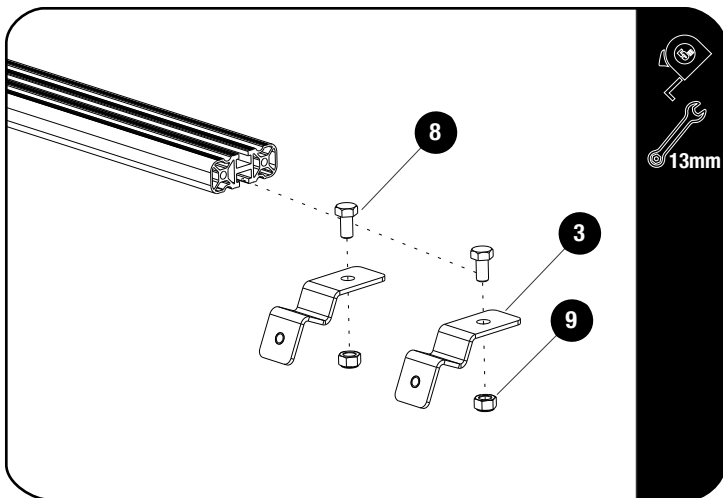
FIGURE 1.1



2

FIT AND SECURE

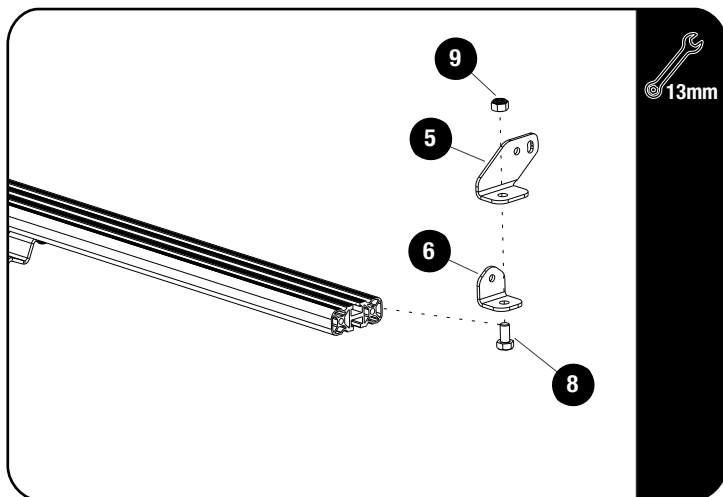
2.1



Start by removing the Front Slat from the Roof Rack.

Slide two M8 x 16 Hex Bolts (Item 8) into the bottom T-Slot of the Front Slat. Using the Wind Fairing as a guide, position the two Center Support Assemblies (Item 3) so that each one aligns with one of the two middle holes and loosely secure using two M8 Nyloc Nut (Item 9). Do not tighten yet.

2.2



Fit the Light Bar Mounting Bracket Low OR High Profile LH & RH (Item 5 OR 6) for a 40" Light Bar, using two M8 x 16 Hex Bolts and two M8 Nyloc Nuts (Items 8 & 9). Fit the light bar and center it on the slat before fully tightening the brackets.

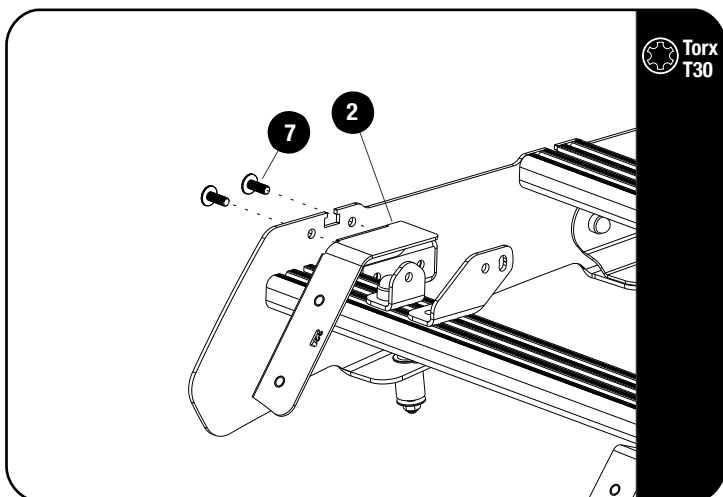
Replace the Front Slat, using the two bottom holes on the foot rails.



Tightening Torque:

M8 : 15-20Nm / 11.06 ft lb - 14.75 ft lb

2.3



Secure the Side Support Assemblies LH & RH (Item 2) to the foot rails top holes, as shown, using M6 x 16 Button Head Flange Bolts (Item 7). Fully tighten.



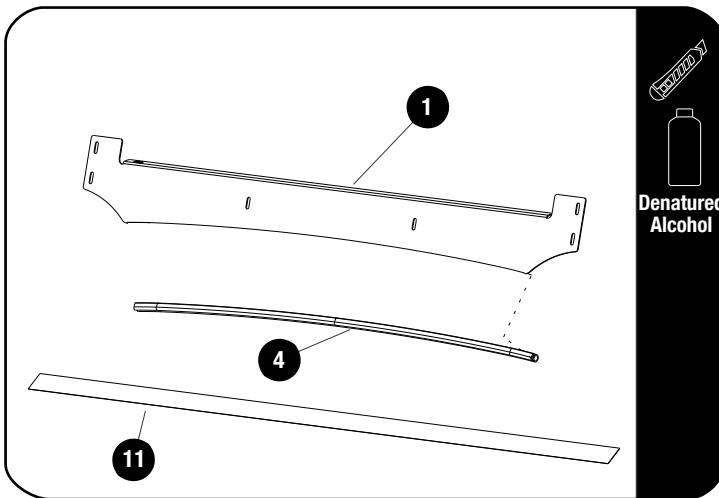
Tightening Torque:

M6 : 8-10Nm / 5.9 ft lb - 7.38 ft lb

2

FIT AND SECURE

2.4



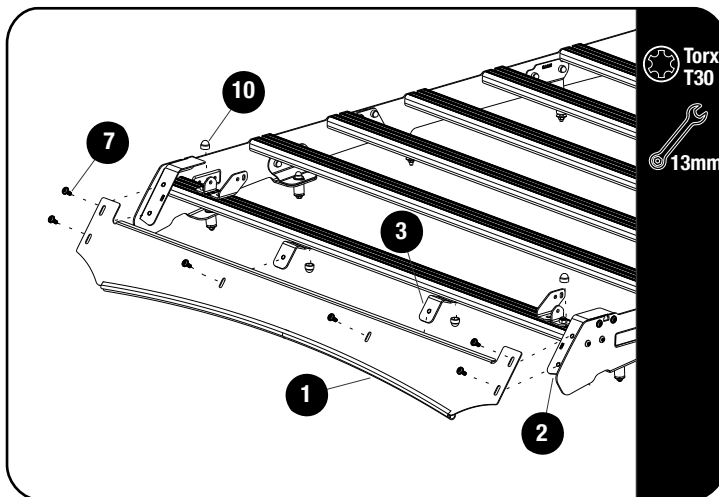
Fit the Wind Fairing Rubber (Item 4) to the Light Bar Wind Fairing (Item 1). Using the notched section as a guide, trim if needed.

Use the Clear Protection Strip (Item 11) included to protect the roof paint work, where the Rubber Trim will be making contact with the roof.

Apply Denatured Alcohol to make sure the roof is clean before applying.

Cut the Clear Protection strip to fit the roof of the Vehicle.

2.5



Secure the Wind Fairing (Item 1) to the Side Support Assemblies (Item 2), using M6 x 16 Button Head Flange Bolts (Item 7).

Align the Center Support Assemblies (Item 3) with the corresponding slots on the Wind Fairing (Item 1) and secure using M6 x 16 Button Head Flange Bolts (Item 7).

Adjust the Fairing height.

Tighten all fasteners and place M8 Nut Caps (Item 10) on all M8 Nyloc Nuts (Item 9)



Tightening Torque:

M6 : 8-10Nm / 5.9 ft lb - 7.38 ft lb



Tightening Torque:

M8 : 15-20Nm / 11.06 ft lb - 14.75 ft lb

3

FINISH

Congratulations! You did it. Take a step back and admire your work!

4

INSTALL OTHER VEHICLE AND RACK ACCESSORIES

Now's the time to visit your favorite Front Runner Dealer in person or online.

Be sure to tag us. We love to see our gear in action! #FrontRunnerOutfitters #BornToRoam

Share your adventures on:

