

READ ME !

Thank you for purchasing a Front Runner Base Deck.

Before you start, take a moment to familiarize yourself with the Fitting Instructions and the components received.

Refer to Page 2 for a list of all the components, quantities and tools required.

IMPORTANT WARNING!

IT IS CRITICAL THAT ALL FRONT RUNNER PRODUCTS BE PROPERLY AND SECURELY ASSEMBLED AND ATTACHED TO YOUR VEHICLE. IMPROPER ATTACHMENT COULD RESULT IN AN AUTOMOBILE ACCIDENT, AND COULD CAUSE SERIOUS BODILY INJURY OR DEATH. YOU ARE RESPONSIBLE FOR ASSEMBLING AND SECURING ALL FRONT RUNNER PRODUCTS TO YOUR VEHICLE, CHECKING THE ATTACHMENTS PRIOR TO USE, AND PERIODICALLY INSPECTING THE PRODUCTS FOR ADJUSTMENT, WEAR AND DAMAGE. THEREFORE, YOU MUST READ AND UNDERSTAND ALL OF THE INSTRUCTIONS AND PRECAUTIONS SUPPLIED WITH YOUR FRONT RUNNER PRODUCT PRIOR TO INSTALLATION OR USE. IF YOU DO NOT UNDERSTAND ALL OF THE INSTRUCTIONS AND CAUTIONS, OR IF YOU HAVE NO MECHANICAL EXPERIENCE AND ARE NOT THOROUGHLY FAMILIAR WITH THE INSTALLATION PROCEDURES, YOU SHOULD HAVE THE PRODUCT INSTALLED BY A PROFESSIONAL INSTALLER OR OTHER QUALIFIED PERSONNEL.

NOTE: Front Runner will not be responsible for any damage caused by the failure to install the product according to these instructions.

Please call us if you have any questions about the installation of this product.

1

GET ORGANIZED

IN THE BOX

1	2 X	Base Deck 1LH + 1RH
2	1 X	Cross Member A
3	1 X	Cross Member B
4	1 X	Cross Member C
5	12 X	M6 x 30 Countersink Bolt
6	3 X	M6 x 20 Hex Bolt
7	3 X	M6 SS Spring Washer
8	3 X	M6 x 19 x 1 SS Flat Washer
9	3 X	M6 Jack Nut
10	12 X	M6 Cage Nut
11	1 X	M6 x 30 Button Head Bolt
12	1 X	Installer Wrench

TOOLS NEEDED

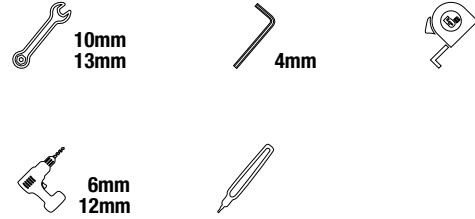
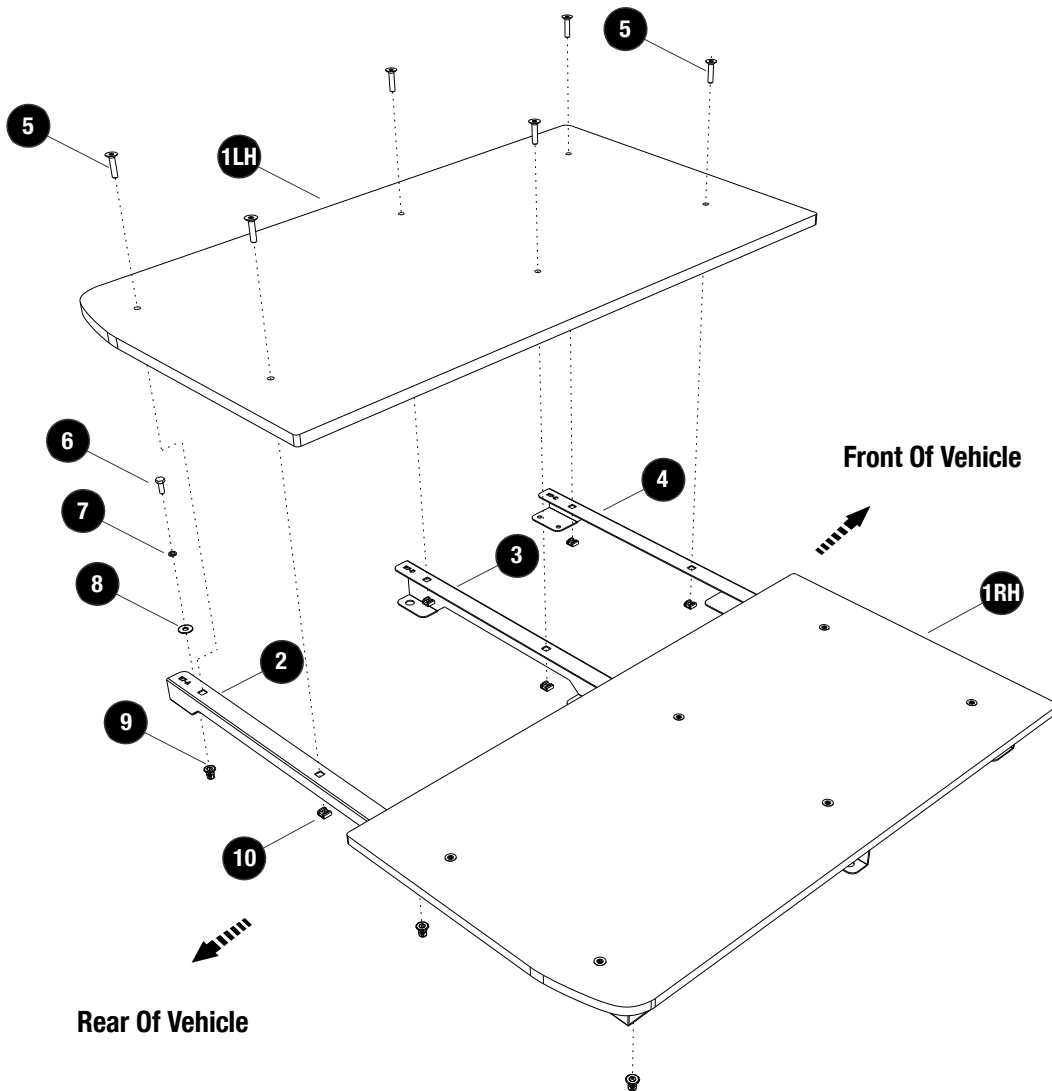
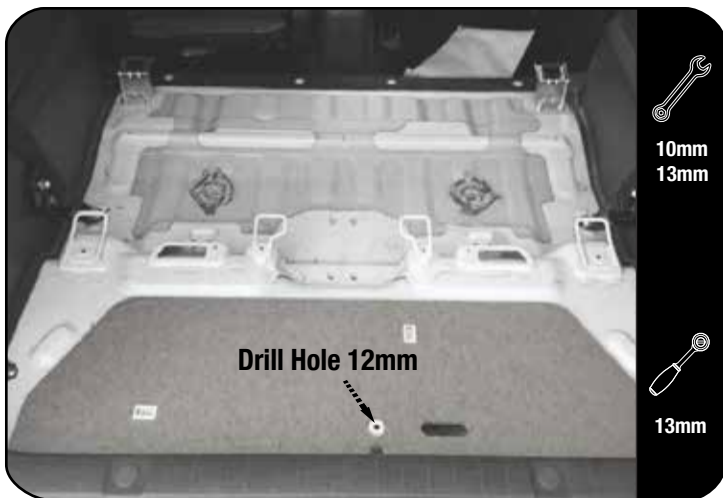


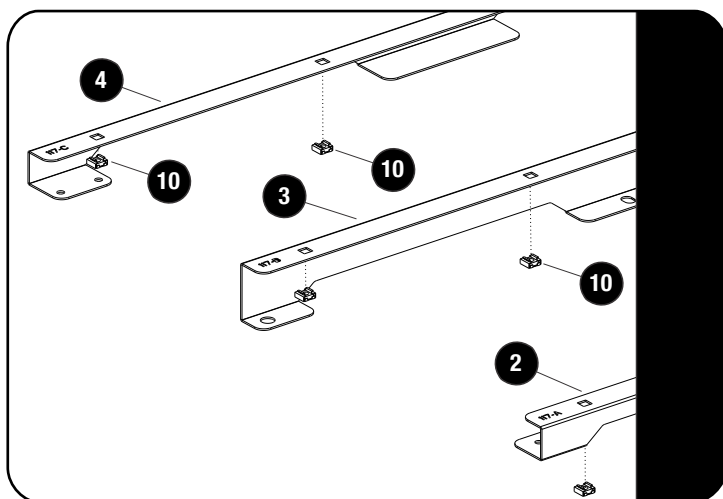
FIGURE 1.1



2**FIT AND SECURE****2.1**

Before you start the fitment, remove the two rear seats from the vehicle. Keep the fasteners in a safe place as you will be using them for the fitment of the three Cross Members.

Remove the cover of the recovery equipment. Drill the existing hole shown in Step 2.1 open to 12mm.

2.2

Clip the M6 Cage Nuts (Item 10) into the bottom of each Cross Member (Items 2, 3 & 4). There are four M6 Cage Nuts per Cross Member.

2.3

Start by fitting the front Cross Member C (Item 4) using the M6 bolts removed in Step 2.1.

Secure the Cross Member with these bolts on both the left and right side.

2.4

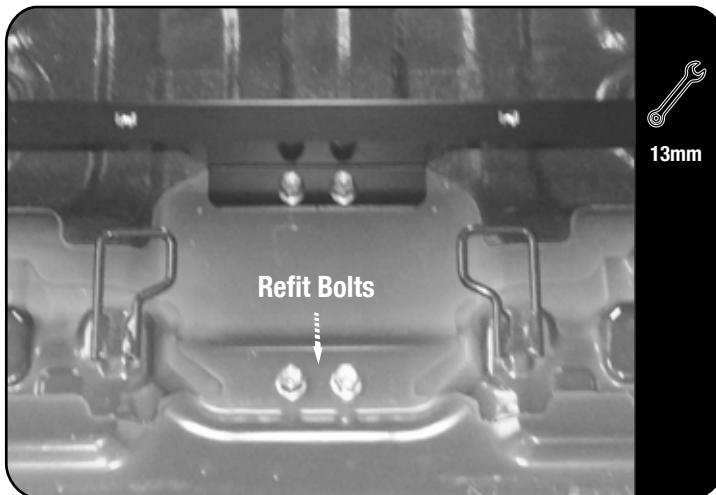


Before securing the mid Cross Member B (Item 3), loosen the rear seat belt bolts.

Place the Cross Member first, followed by the seat belt bracket and align holes with the existing holes. Loosely fit the bolts removed earlier on both left and right side.

You will fully tighten the fasteners after Step 2.5.

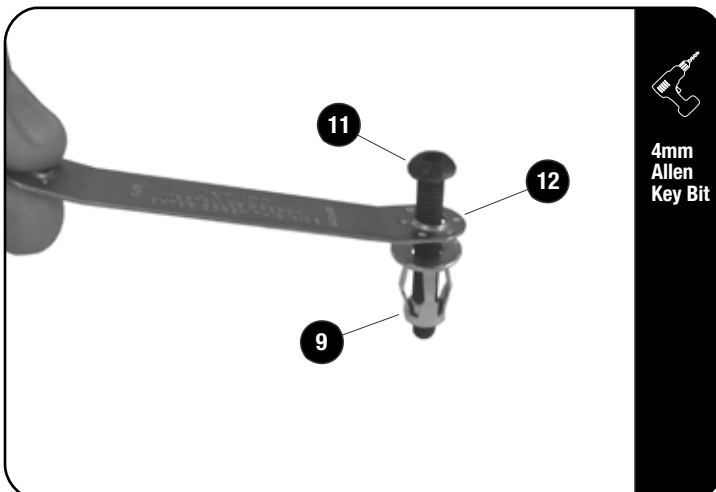
2.5



Use two of the bolts removed from the rear seat hinge bracket and secure the Cross Member B in the middle.

Replace the other two hinge bracket bolts and fully tighten all the fasteners.

2.6



Using the Installer Wrench (Item 12) and a M6 x 30 Button Head Bolt (Item 11), insert the M6 Jack Nut (Item 9).

Insert the M6 Button Head Bolt (for Jack Nut installation purposes only) into the one side of the Installer Wrench. Loosely fit a Jack Nut to the Button Head Bolt as shown.

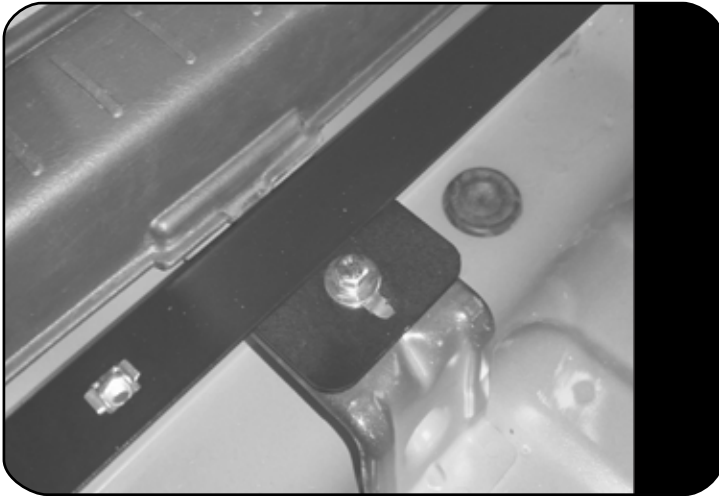
Place the assembly into the hole drilled in Step 2.1. Using a hand drill and a 4mm Allen Key Bit, set the Jack Nut into the hole while holding onto the handle of the Installer Wrench.

Make sure that the Jack Nut has pulled up all the way before removing the Button Head Bolt and Installer Wrench.

2

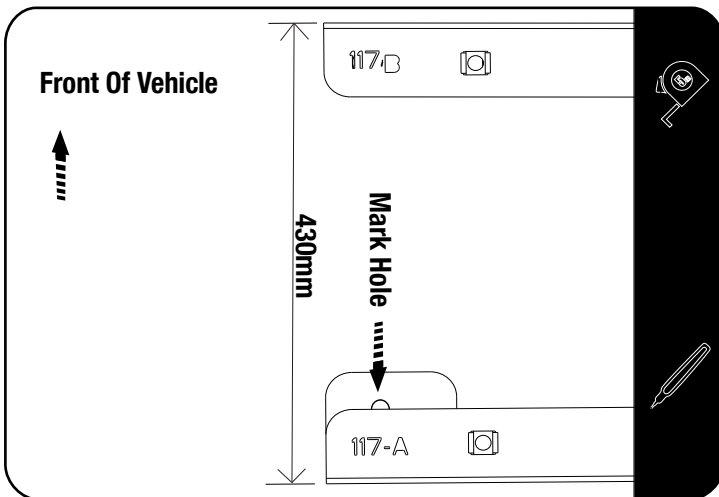
FIT AND SECURE

2.7



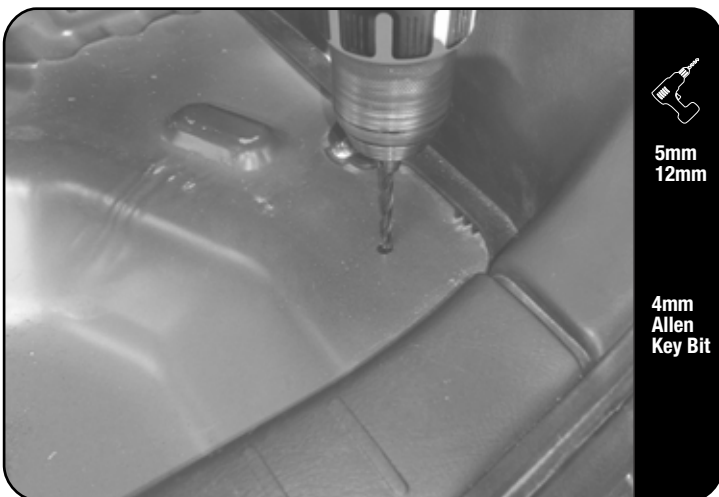
Loosely fit the rear Cross Member C (Item 2) over the M6 Jack Nut installed in Step 2.6 using a M6 x 20 Hex Bolt, M6 SS Spring Washer and M6 x 19 x 1SS Flat Washer (Items 6, 7 & 8)

2.8



Measure 430mm from the outside of the mid Cross Member B to the outside of the rear Cross Member A and mark the holes in the bottom tab of Member A. Do this on the left and right side of Cross Member A.

2.9



5mm
12mm

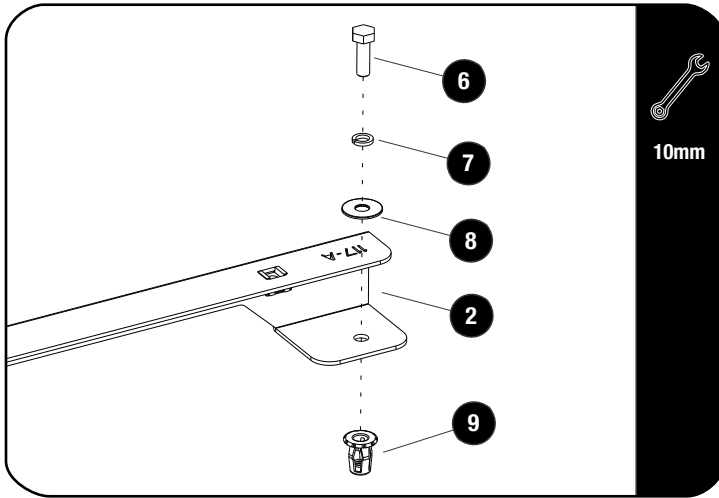
4mm
Allen
Key Bit

Remove Cross Member A and drill a 5mm pilot hole on both the marks you made in Step 2.8. Open the holes to 12mm. Install M6 Jack Nuts in the holes you have drill by following the instructions in Step 2.6.

2

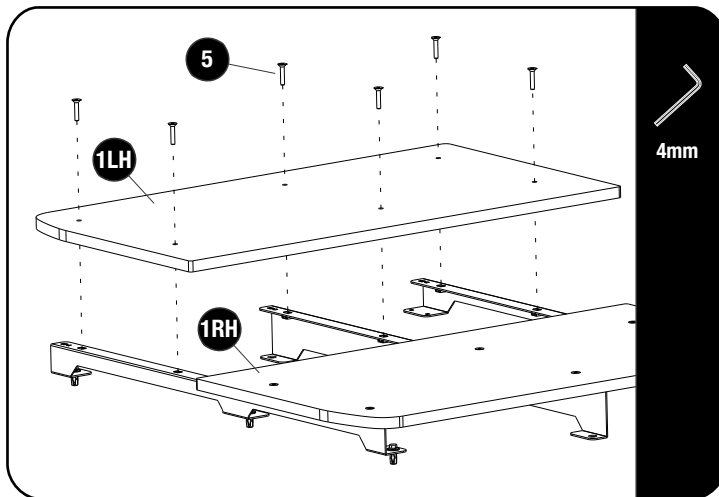
FIT AND SECURE

2.10



↻ Refit the rear Cross Member A using M6 x 20 Hex Bolts, M6 SS Spring Washers and M6 x 19 x 1SS Flat Washers (Items 6, 7 & 8). Fully tighten all the fasteners.

2.11



↻ Secure the left and right Base Decks (Item 1LH & 1RH) to the Cross Members using M6 x 30 Countersink Socket Screws (Item 5).

3

COMPLETION

3.1



Congratulations! You did it. Take a step back and admire your work!

4

INSTALL OTHER VEHICLE AND RACK ACCESSORIES

Now's the time to visit your favorite Front Runner Dealer in person or online.

Be sure to tag us. We love to see our gear in action! #FrontRunnerOutfitters #BornToRoam

Share your adventures on: 