**READ ME!** 

Thank you for purchasing a Front Runner Land Rover 90 / 110 (2007 - 2016) / Suzuki Jimny (1998 - 2018) Deck Completion Set

Before you start, take a moment to familiarize yourself with the Fitting Instructions and the included components.

Refer to Page 2 for a list of all the components, quantities and tools required.

IMPORTANT WARNING! 

IT IS CRITICAL THAT ALL FRONT RUNNER PRODUCTS BE PROPERLY AND SECURELY ASSEMBLED AND ATTACHED TO YOUR VEHICLE. IMPROPER ATTACHMENT COULD RESULT IN AN AUTOMOBILE ACCIDENT, AND COULD CAUSE SERIOUS BODILY INJURY OR DEATH. YOU ARE RESPONSIBLE FOR ASSEMBLING AND SECURING ALL FRONT RUNNER PRODUCTS TO YOUR VEHICLE, CHECKING THE ATTACHMENTS PRIOR TO USE, AND PERIODICALLY INSPECTING THE PRODUCTS FOR ADJUSTMENT, WEAR AND DAMAGE. THEREFORE, YOU MUST READ AND UNDERSTAND ALL OF THE INSTRUCTIONS AND PRECAUTIONS SUPPLIED WITH YOUR FRONT RUNNER PRODUCT PRIOR TO INSTALLATION OR USE. IF YOU DO NOT UNDERSTAND ALL OF THE INSTRUCTIONS AND CAUTIONS, OR IF YOU HAVE NO MECHANICAL EXPERIENCE AND ARE NOT THOROUGHLY FAMILIAR WITH THE INSTALLATION PROCEDURES, YOU SHOULD HAVE THE PRODUCT INSTALLED BY A PROFESSIONAL INSTALLER OR OTHER QUALIFIED PERSONNEL.

NOTE: Front Runner will not be responsible for any damage caused by the failure to install the product according to these instructions.

Please call us if you have any questions about the installation of this product.



1 GET ORGANIZED

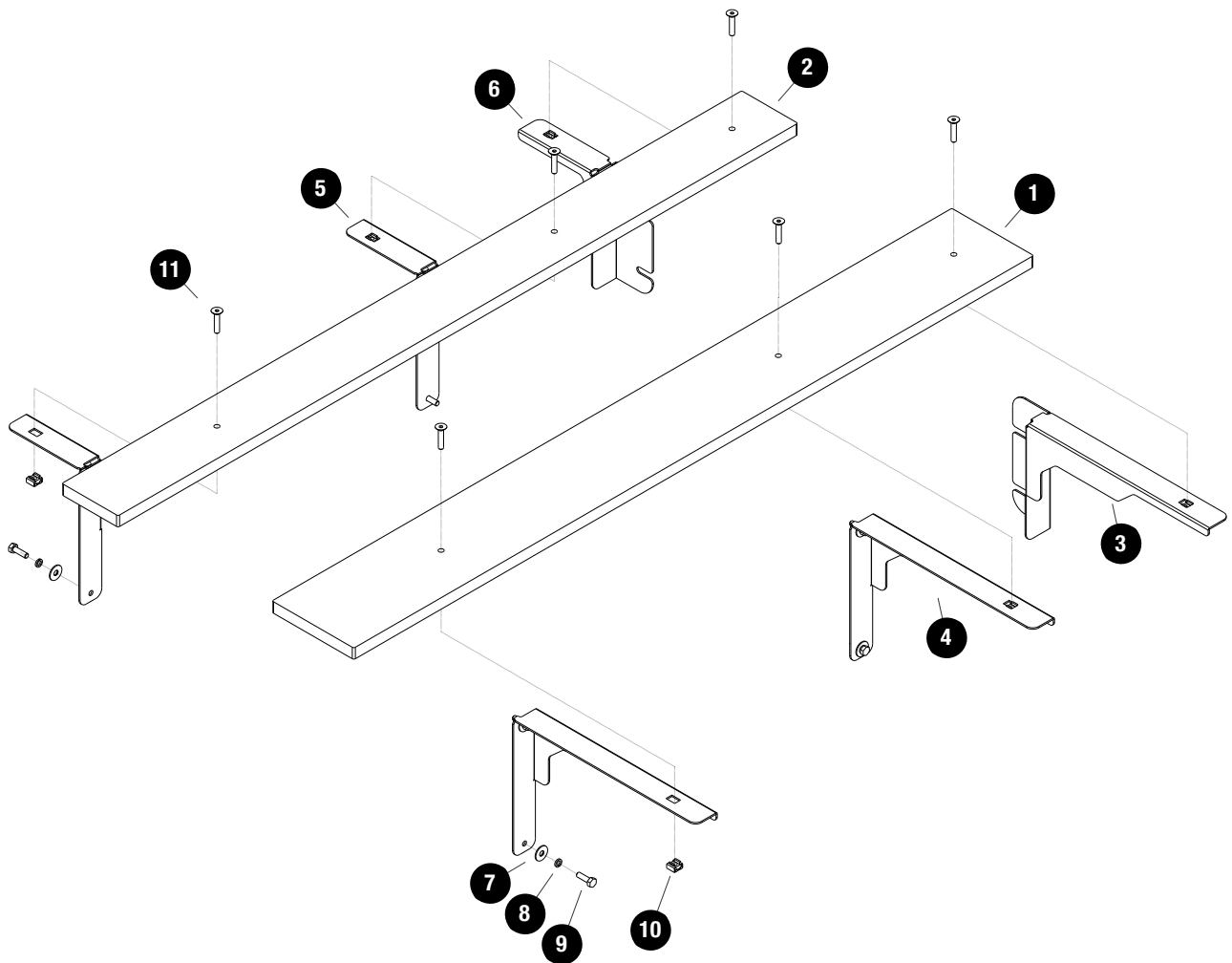
IN THE BOX

1	1 X	Right Deck
2	1 X	Left Deck
3	1 X	Rear Right Wing Bracket
4	2 X	Front Right Wing Bracket
5	2 X	Front Left Wing Bracket
6	1 X	Rear Left Wing Bracket
7	8 X	M6 x 19 x 1.2 Flat Washer
8	8 X	M6 Spring Washer
9	8 X	M6 x 20 Hex Bolt
10	6 X	M6 Cage Nut
11	6 X	M6 x 30 Countersunk Bolt

TOOLS NEEDED

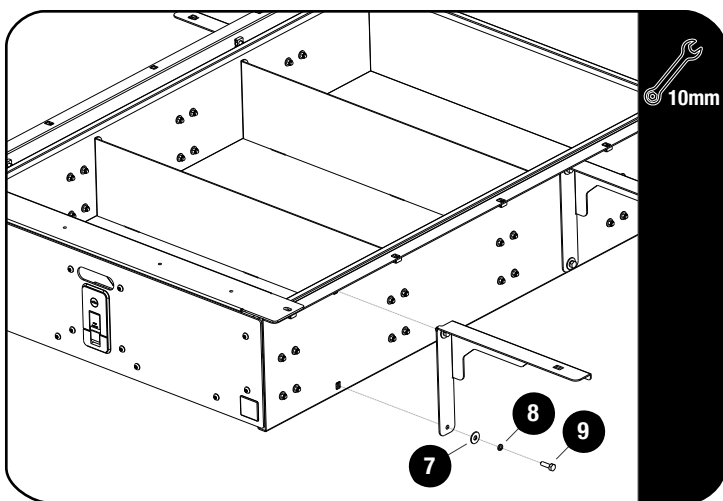


FIGURE 1.1



2**FIT AND SECURE**

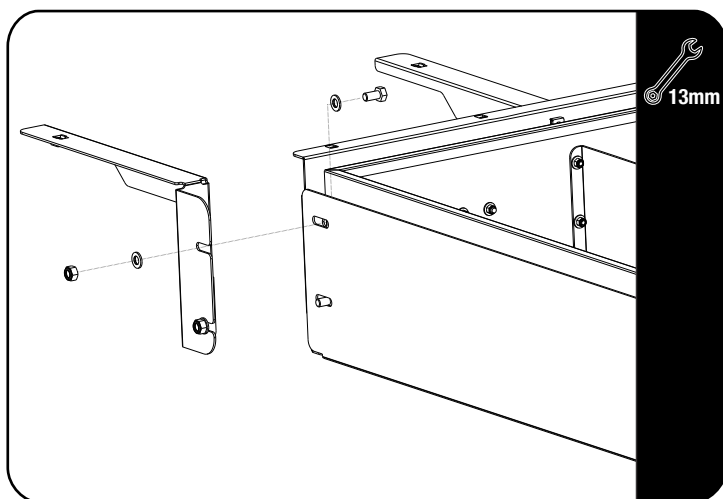
2.1



Refer to Fitment Guide SSLD002 for Drawer Fitment.

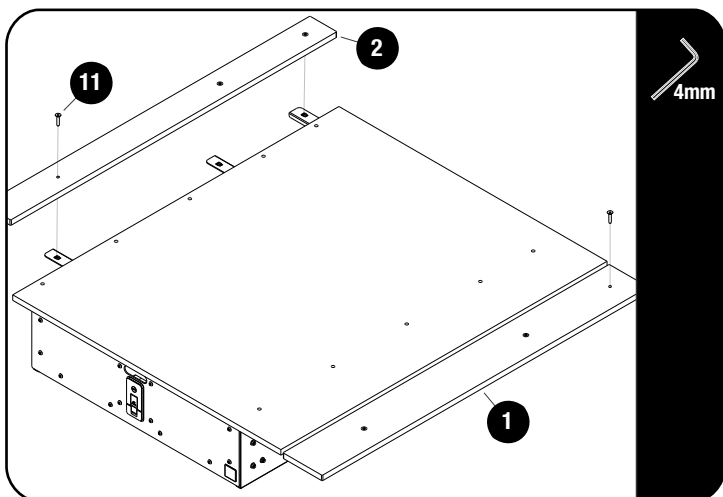
Secure the four LH / RH Side Wing Brackets (Items 4 & 5) to the drawer system, using M6 x 20 Hex Bolts, M6 Spring Washers & M6 x 19 Flat Washers (Items 7, 8 & 9).

2.2



Secure the Rear Wing Brackets using fasteners from the Drawer System as shown, M8 x 16 Hex Bolt, M8 Washer and M8 Nyloc Nut.

2.3



Refit the Drawer Deck (Refer to Fitment Guide SSLD002).

Secure the Left and Right Wing Board using M6 x 30 Countersunk Bolts and M6 Cage Nuts (Items 10 & 11).

3

FINISH

Congratulations! You did it. Take a step back and admire your work!

4

INSTALL OTHER VEHICLE AND RACK ACCESSORIES

Now's the time to visit your favorite Front Runner dealer in person or online.

Be sure to tag us. We love to see our gear in action! #FrontRunnerOutfitters #BornToRoam

Share your adventures on: 