

READ ME !

Thank you for purchasing a Front Runner Suzuki Jimny Gen 4 (2018-Current) Rear Seat Base Deck.
Before you start, take a moment to familiarize yourself with the Fitting Instructions and the included components.
Refer to Page 2 for a list of all the components, quantities and tools required.

IMPORTANT WARNING!

IT IS CRITICAL THAT ALL FRONT RUNNER PRODUCTS BE PROPERLY AND SECURELY ASSEMBLED AND ATTACHED TO YOUR VEHICLE. IMPROPER ATTACHMENT COULD RESULT IN AN AUTOMOBILE ACCIDENT, AND COULD CAUSE SERIOUS BODILY INJURY OR DEATH. YOU ARE RESPONSIBLE FOR ASSEMBLING AND SECURING ALL FRONT RUNNER PRODUCTS TO YOUR VEHICLE, CHECKING THE ATTACHMENTS PRIOR TO USE, AND PERIODICALLY INSPECTING THE PRODUCTS FOR ADJUSTMENT, WEAR AND DAMAGE. THEREFORE, YOU MUST READ AND UNDERSTAND ALL OF THE INSTRUCTIONS AND PRECAUTIONS SUPPLIED WITH YOUR FRONT RUNNER PRODUCT PRIOR TO INSTALLATION OR USE. IF YOU DO NOT UNDERSTAND ALL OF THE INSTRUCTIONS AND CAUTIONS, OR IF YOU HAVE NO MECHANICAL EXPERIENCE AND ARE NOT THOROUGHLY FAMILIAR WITH THE INSTALLATION PROCEDURES, YOU SHOULD HAVE THE PRODUCT INSTALLED BY A PROFESSIONAL INSTALLER OR OTHER QUALIFIED PERSONNEL.

NOTE: Front Runner will not be responsible for any damage caused by the failure to install the product according to these instructions.
Please call us if you have any questions about the installation of this product.



1 GET ORGANIZED

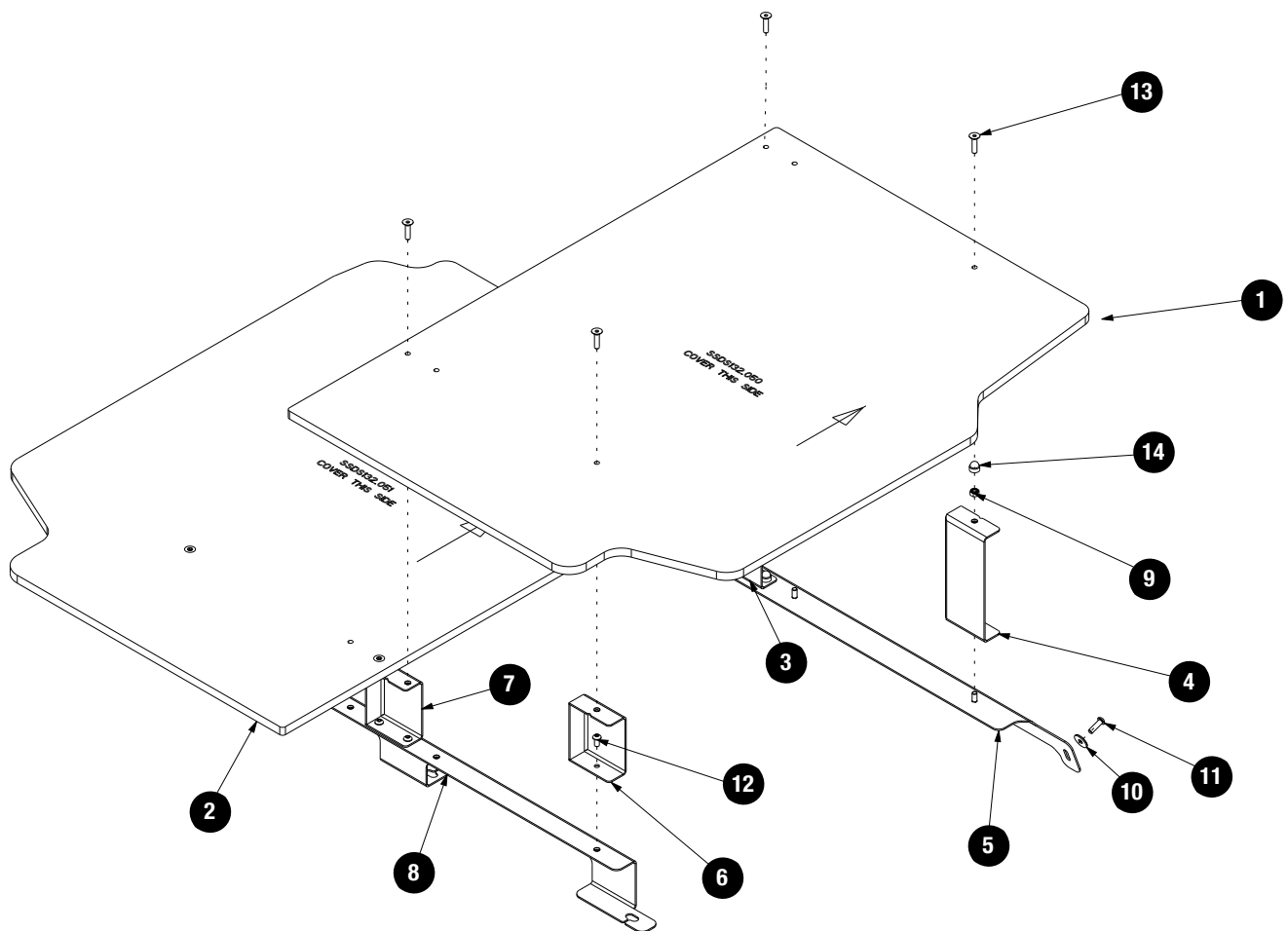
IN THE BOX

1	1 X	Right Hand Side Base Deck
2	1 X	Left Hand Side Base Deck
3	1 X	Front Middle Foot
4	2 X	Front Side Foot
5	1 X	Front Main Bracket
6	2 X	Rear Side Foot
7	1 X	Rear Middle Foot
8	1 X	Rear Main Bracket
9	4 X	M6 Nyloc Nut
10	2 X	M6 x 20 x 2 Flat Washer
11	2 X	M6 x 20 Button Head Screw
12	4 X	M6 x 12 Button Head Screw
13	8 X	M6 x 25 Countersunk Screw
14	4 X	M6 Nut Cap

TOOLS NEEDED



FIGURE 1.1




2

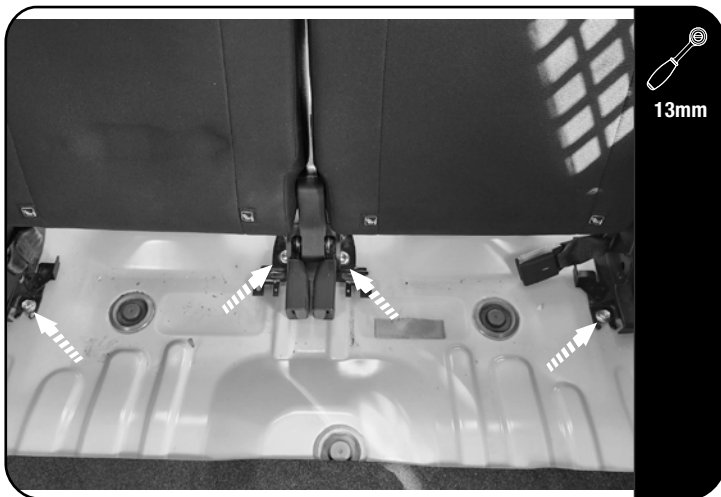
FIT AND SECURE

2.1



 Remove the rear bench seat to get access to the front bolts for the backrests.

2.2



 Loosen the front bolts but do not remove them completely.

2.3

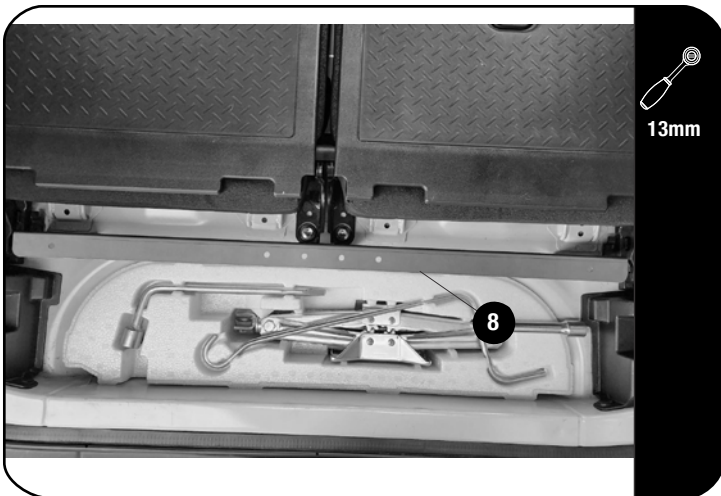


 Remove the three covers that are covering the bolts and then remove the bolts holding the seats down.

2

FIT AND SECURE

2.4



↻ Lift up the rear seat and place the Rear Main Bracket (Item 8) underneath the brackets for the seat and tighten using the factory bolts that you removed in step 2.3.

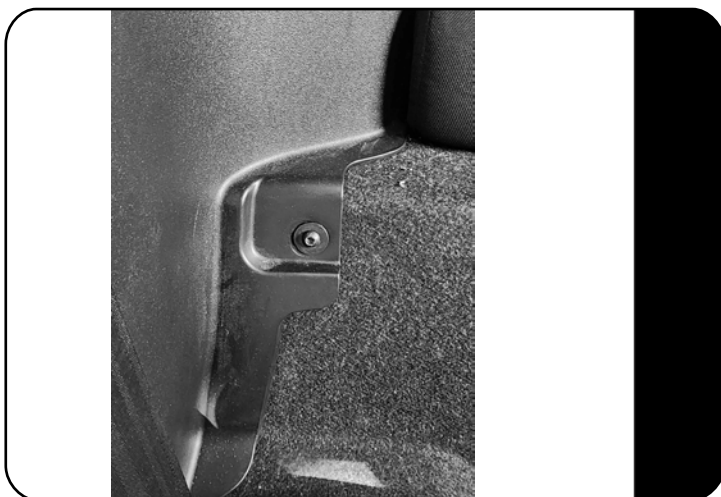
Fully tighten the bolts in the front as well and reinstall the Rear Seat Bench removed in step 2.1.



Tightening Torque:

M6 : 8-10Nm / 5.9 ft lb - 7.38 ft lb

2.5

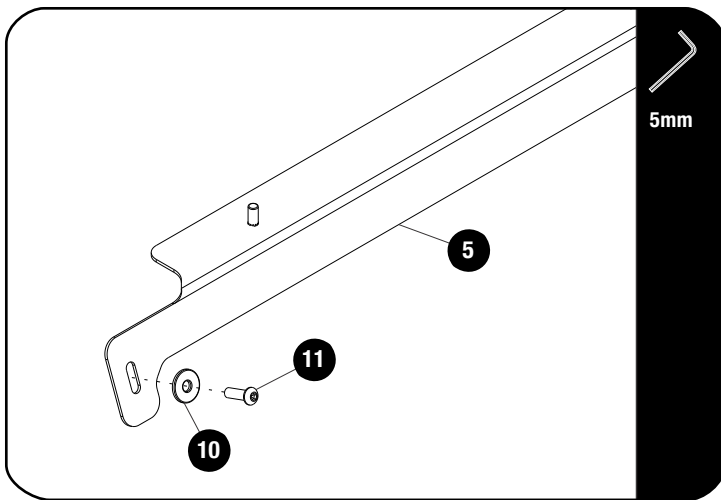



↻ Remove the front plastic clip by slightly pulling on the plastic trim.

2.6



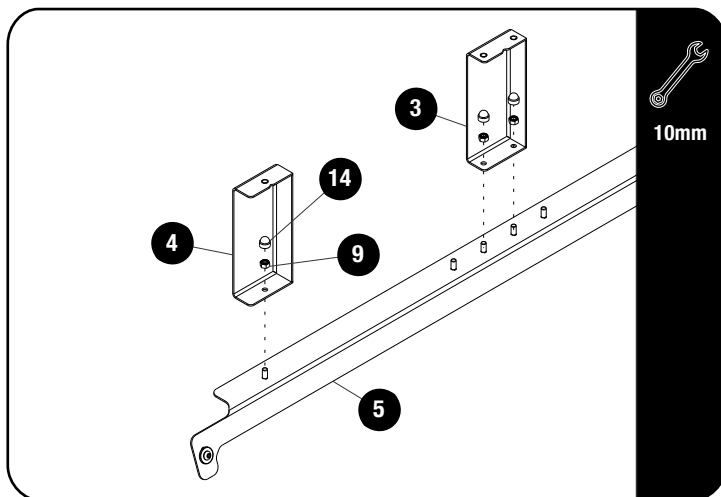
↻ Slide the Front Main Bracket (Item 5) in behind the plastic trim and align the holes in the bracket with the holes in the vehicle.


2**FIT AND SECURE****2.7**

 Bolt the Front Main Bracket (Item 5) to the vehicle using the M6 x 20 Button Head Screws (Item 11) and M6 x 20 x 2 Flat Washers (Item 10) as shown and fully tighten.

**Tightening Torque:**

M6 : 8-10Nm / 5.9 ft lb - 7.38 ft lb

2.8

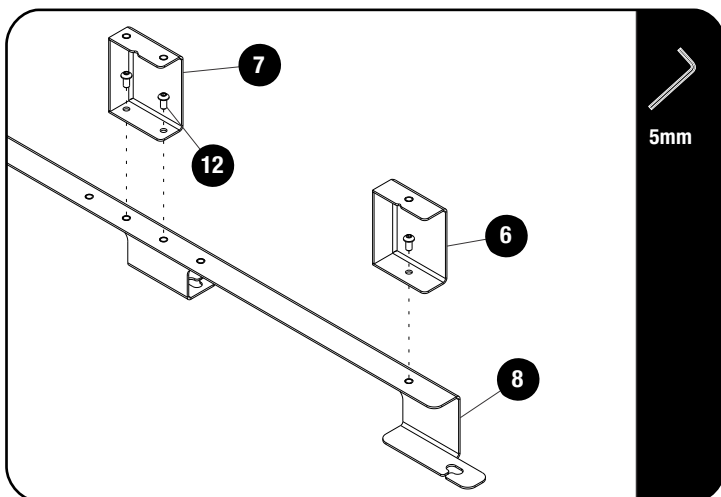
 Assemble the Front Side Feet (Item 4) and the Front Middle Foot (Item 3) to the Front Main Bracket (Item 5) as shown using M6 Nyloc Nuts (Item 9) and fully tighten.


Finish off the M6 Nyloc Nuts with the M6 Nut Caps (Item 14).

Take Note That The Middle Foot Has Four Holes And The Side Feet have Two Holes.

**Tightening Torque:**

M6 : 8-10Nm / 5.9 ft lb - 7.38 ft lb

2.9

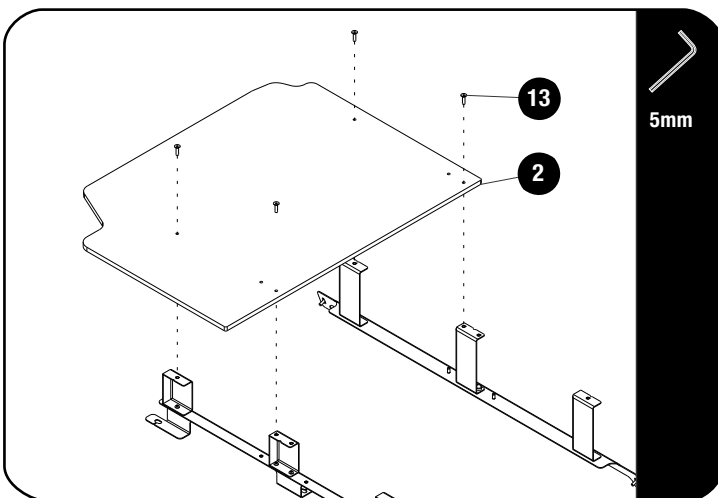
 Assemble the Rear Side Feet (Item 6) and the Rear Middle Foot (Item 7) to the Rear Main Bracket (Item 8) as shown using M6 x 16 Button Head Screws (Item 12) and fully tighten.


Take Note That The Middle Foot Has Four Holes And The Side Feet have Two Holes.

**Tightening Torque:**

M6 : 8-10Nm / 5.9 ft lb - 7.38 ft lb

2.10

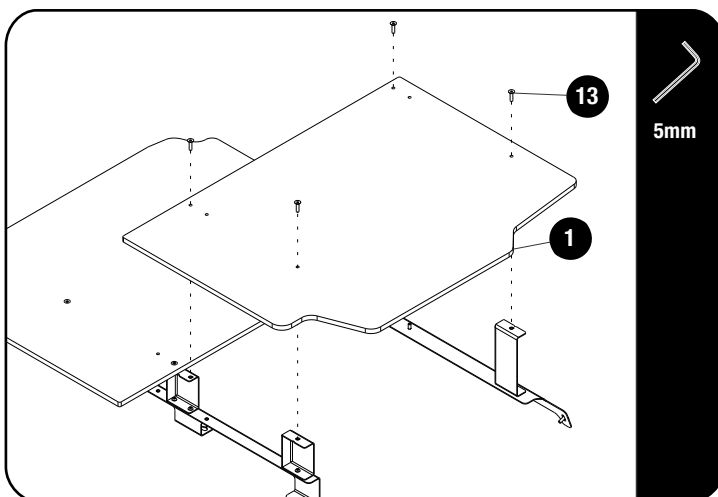



 Bolt the Left Hand Side Base Deck (Item 2) to the Brackets assembled in the previous steps using the M6 x 25 Countersunk Screws (Item 13) as shown and fully tighten.

**Tightening Torque:**

M6 : 8-10Nm / 5.9 ft lb - 7.38 ft lb

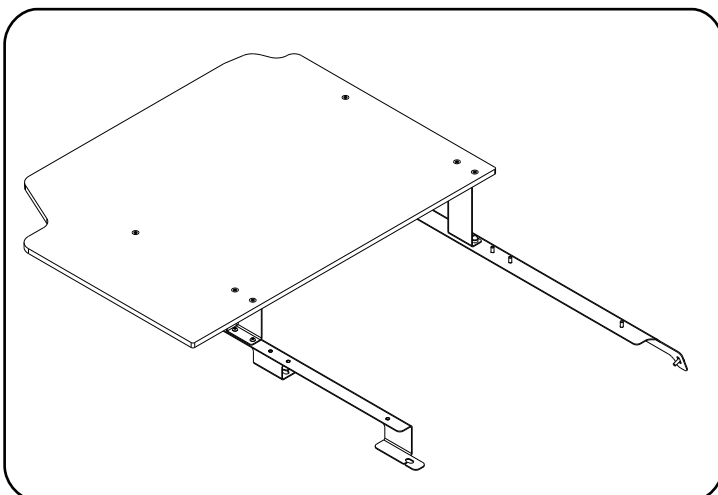
2.11




 Bolt the Right Hand Side Base Deck (Item 1) to the Brackets assembled in the previous steps using the M6 x 25 Countersunk Screws (Item 13) as shown and fully tighten.

**Tightening Torque:**

M6 : 8-10Nm / 5.9 ft lb - 7.38 ft lb



 When assembling you have a choice to use only one side of the deck and have one seat in the back available for a passenger.

To achieve this you need to move both the Front and Rear Middle brackets to either the left or the right whichever you decide. The four studs in the Front Main Bracket and the four holes in the Rear Main Bracket allows you to place the bracket under the base deck and out of the passenger's way as demonstrated in the picture.

3

FINISH

Congratulations! You did it. Take a step back and admire your work!

4

INSTALL OTHER VEHICLE AND RACK ACCESSORIES

Now's the time to visit your favorite Front Runner Dealer in person or online.

Be sure to tag us. We love to see our gear in action! #FrontRunnerOutfitters #BornToRoam

Share your adventures on: 