

READ ME ! ⚠

Thank you for purchasing a Front Runner Interior Cargo Deck.

Before you start, take a moment to familiarize yourself with the Fitting Instructions and the components received.

Refer to Page 2 for a list of all the components, quantities and tools required.

IMPORTANT WARNING! ⚠

IT IS CRITICAL THAT ALL FRONT RUNNER PRODUCTS BE PROPERLY AND SECURELY ASSEMBLED AND ATTACHED TO YOUR VEHICLE. IMPROPER ATTACHMENT COULD RESULT IN AN AUTOMOBILE ACCIDENT, AND COULD CAUSE SERIOUS BODILY INJURY OR DEATH. YOU ARE RESPONSIBLE FOR ASSEMBLING AND SECURING ALL FRONT RUNNER PRODUCTS TO YOUR VEHICLE, CHECKING THE ATTACHMENTS PRIOR TO USE, AND PERIODICALLY INSPECTING THE PRODUCTS FOR ADJUSTMENT, WEAR AND DAMAGE. THEREFORE, YOU MUST READ AND UNDERSTAND ALL OF THE INSTRUCTIONS AND PRECAUTIONS SUPPLIED WITH YOUR FRONT RUNNER PRODUCT PRIOR TO INSTALLATION OR USE. IF YOU DO NOT UNDERSTAND ALL OF THE INSTRUCTIONS AND CAUTIONS, OR IF YOU HAVE NO MECHANICAL EXPERIENCE AND ARE NOT THOROUGHLY FAMILIAR WITH THE INSTALLATION PROCEDURES, YOU SHOULD HAVE THE PRODUCT INSTALLED BY A PROFESSIONAL INSTALLER OR OTHER QUALIFIED PERSONNEL.

NOTE: Front Runner will not be responsible for any damage caused by the failure to install the product according to these instructions.

Please call us if you have any questions about the installation of this product.

1

GET ORGANIZED

IN THE BOX

1	1 X	Rear Deck
2	1 X	Middle Deck
3	1 X	Front Deck
4	3 X	Deck Support Channel
5	3 X	Front Mounting Bracket
6	3 X	Rear Mounting Bracket
7	18 X	M6 Caged Nut (2mm)
8	18 X	M6 x 40 Countersunk Screw
9	6 X	M6 Caged Nut (3mm)
10	6 X	M6 x 12 x 1 Flat Washer

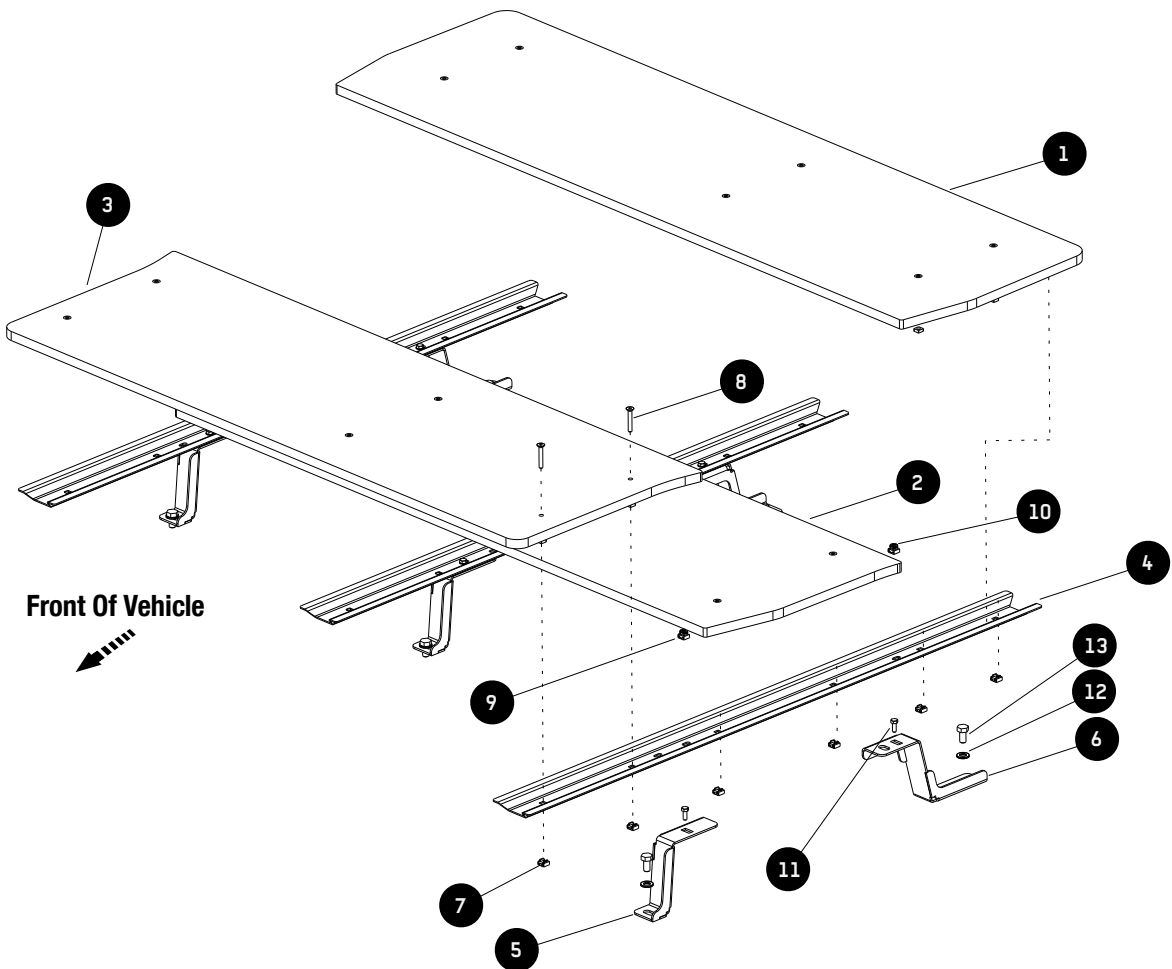
IN THE BOX

11	6 X	M6 x 16 Hex Head Bolt
12	6 X	M10 Flat Washer
13	6 X	M10 x 20 Hex Bolt

TOOLS NEEDED



FIGURE 1.1



2

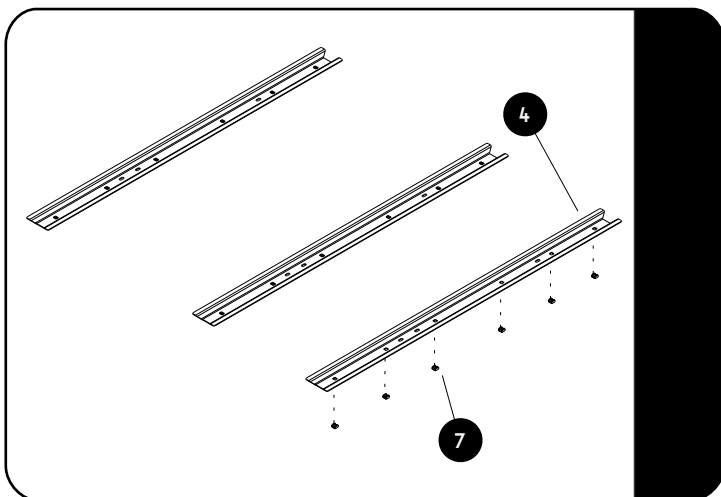
FIT AND SECURE

2.1



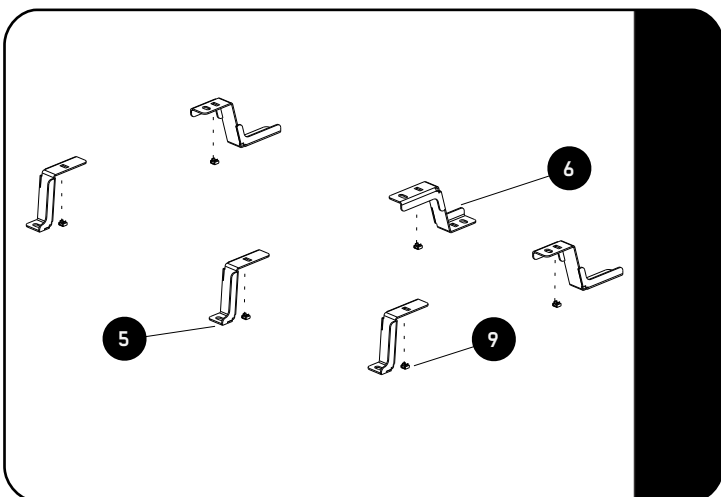
Before you start the fitment, remove the third row of seats (A), unclip the rear cargo area plastic tray (B) and the trim panel (C).

2.2



Insert six M6 Cage Nuts (2mm Material - Item 7) into the bottom of each Deck Support Channels (Item 4) as shown.

2.3



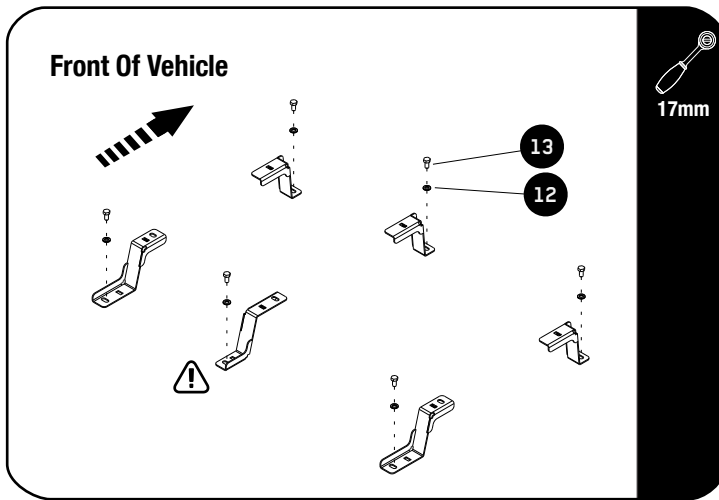
Insert a M6 Cage Nut (3mm Material - Item 9) into the bottom of each of the Mounting Brackets (Items 5 and 6) as shown.

Note the orientation of the Middle Rear Mounting Bracket (Item 6) before inserting the cage nut.

2

FIT AND SECURE

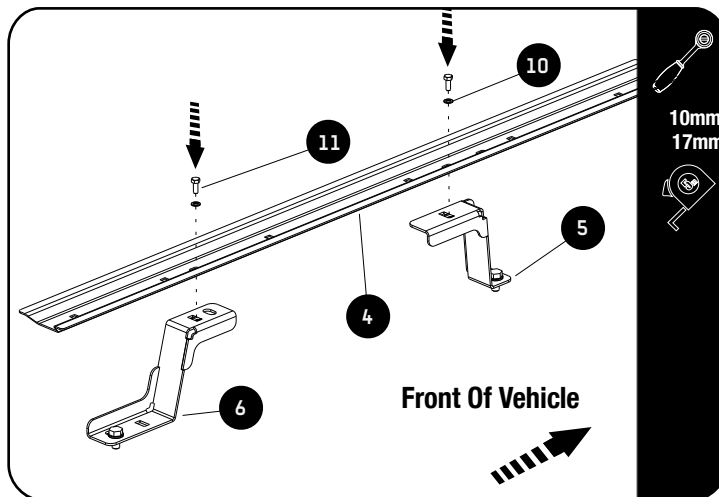
2.4



Secure the front and rear Mounting Brackets to the vehicle, using M10 x 20 Hex Bolts and M10 Flat Washers (Items 13 & 12) and fixing to OEM mounting holes.

Note orientation of the rear Mounting Brackets. See fig. 2.4
Do not fully tighten.

2.5

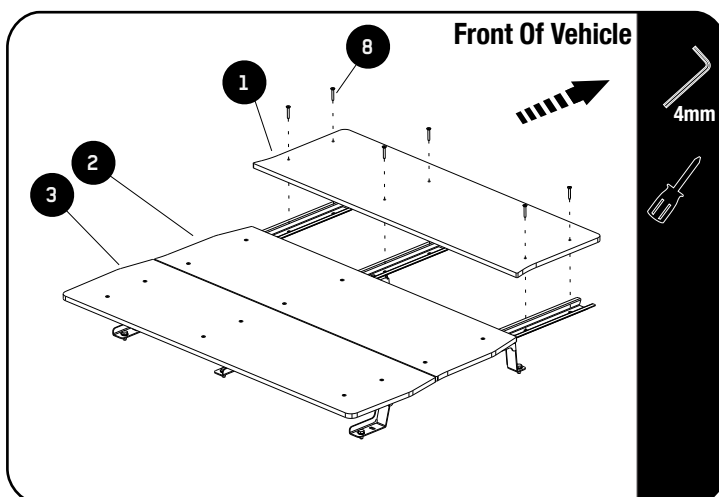


Secure the three Deck Support channels (Item 4) across each pair of Deck Support Brackets (Items 5 & 6) using a M6 x 16 Hex Head Bolt and M6 x 12 x 1 Flat Washer (Items 11 and 10), as shown. Note Hole Position. See fig 2.5.

Use a straight edge to align the ends before fully tightening the channels to the deck support brackets.

Fully tighten all front and rear deck support brackets.

2.6



Use a suitable screwdriver to pierce the carpet over the holes in all three Decks, from the uncovered side.

Secure the Middle, Front and Rear Decks (Items 2, 1 and 3) to the Deck Supports using M6 x 40 Countersunk Socket Screws (Item 8) as shown.

Re fit the rear cargo tray and trim panel, removed in Step 2.1

3

FINISH

Congratulations! You did it. Take a step back and admire your work!

4

INSTALL OTHER VEHICLE AND RACK ACCESSORIES

Now's the time to visit your favorite Front Runner Dealer in person or online.

Be sure to tag us. We love to see our gear in action! #FrontRunnerOutfitters #BornToRoam

Share your adventures on: 