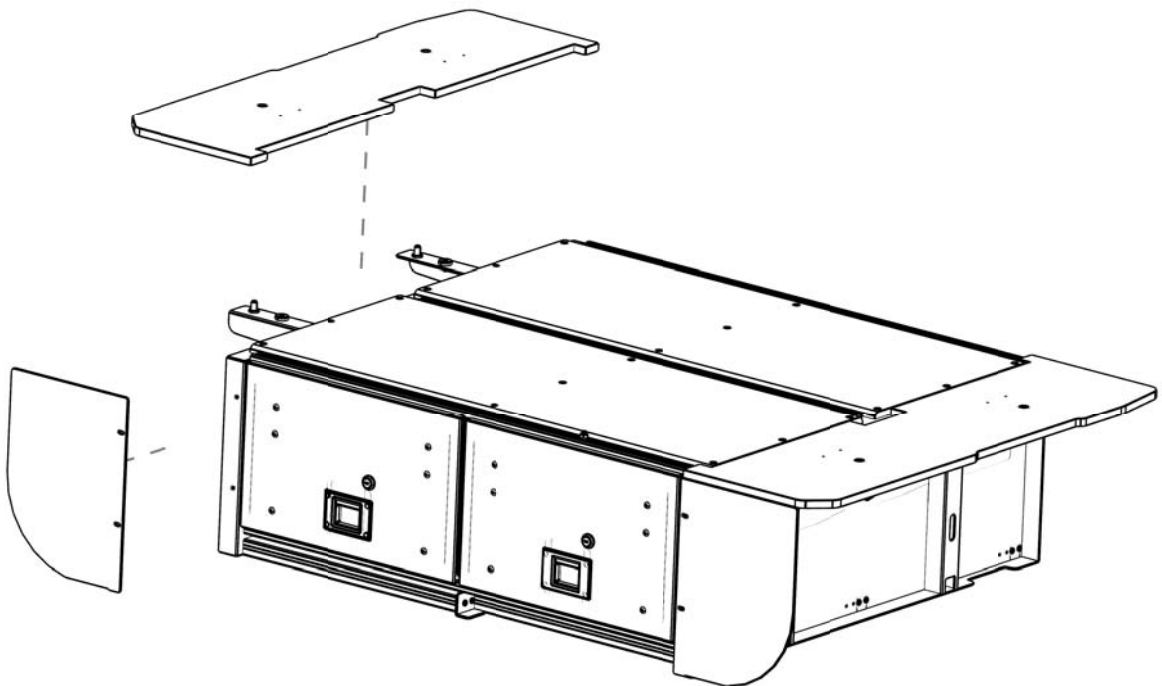




**INSTALL TIME: 45 mins**

**You will need:**

- 3 mm Hex Key
- 4 mm Hex Key
- 8 mm Flat or Socket Wrench
- 10 mm Flat Wrench
- 13 mm Flat or Socket Wrench
- Measuring Tape

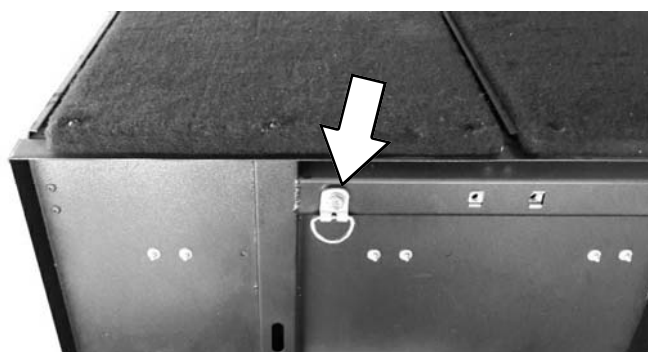


# 1 PREPARE FOR DRAW SYSTEM FITMENT

- (A) Looking just inside the rear door, loosen and rotate the left and right mounting rings as shown.



- (B) Looking at the sides of the Draw System, loosen and remove the rear D-ring as indicated by the arrow.



# 2 FIT DRAWER SYSTEM

- (A) Place the Draw System into the vehicle lining up the front of the Draw System to the edge of the plastic strip as shown below. Ensure that the Draw System is centered left to right.



## 2 FIT DRAWER SYSTEM CONT...

- ( B ) Fit the four Deck Side Skirt Support Brackets to the side of the Draw System (Two left, two right) using the M6 x 16 Hex Bolts and M6 Flat Washers supplied. The bends/lips on the brackets must face inwards/ towards each other. When fitting the rear Brackets, on the top mounting use a M6 x 25 Hex Bolt, M6 Spring Washer and M6 x19 Flat Washer and fasten both the D-ring and bracket Bracket as shown.



- ( C ) Secure the Draw System to the vehicle using the D-rings on the side of the Draw and the vehicle's mounting rings (Two in the front From Step 1A and two found behind the passenger seats). For each of the FRONT mountings use a Carabiner or small C-hook, a large C-hook and a Turn Buckle. For each of the REAR mountings use two large C-hooks and a Turn Buckle



## **2 FIT DRAWER SYSTEM CONT...**

- ( D )** To Complete the installation, fit the two Front Cover Panels and Deck Side Skirts.



- ( D )** Congratulations, you have completed your installation. Take a step back and admire your work. Good Job!

## **3 INSTALL OTHER VEHICLE AND RACK ACCESSORIES**

- ( A )** Now's the time to visit your favorite Front Runner dealer in person or online.