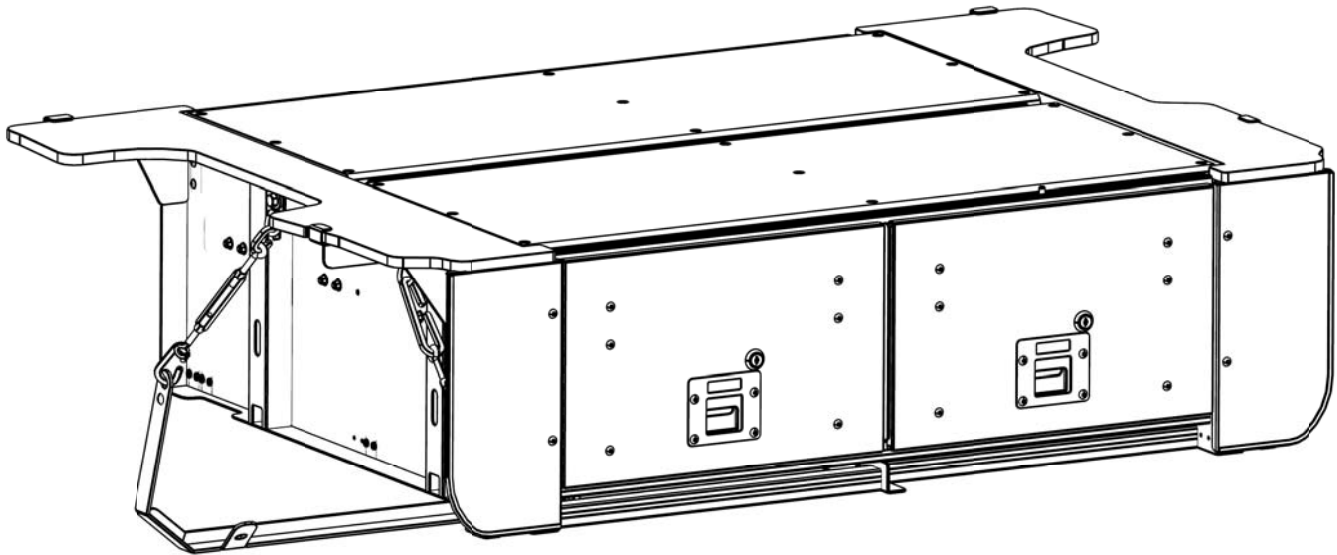


**INSTALL TIME: 45 mins**

**Thank you for purchasing a Front Runner Storage System.**

**This Storage System is made up of the following components:**

- 1. A Drawer System - SSSDR005**
- 2. A Vehicle Specific Deck Set and Mounting Plate - SSSDS104**

**Before you start, take a moment to familiarize yourself with these Fitting Instructions and all the components received. Depending on the vehicle not all components received will be used. Refer to Page 2 for a list of all the components and quantities if required.**

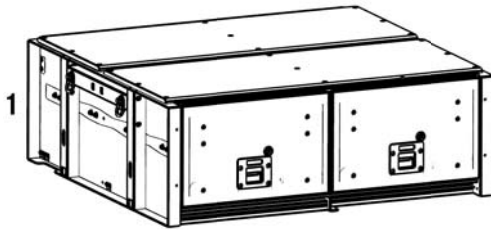
### **IMPORTANT WARNING!**

**IT IS CRITICAL THAT ALL FRONT RUNNER PRODUCTS BE PROPERLY AND SECURELY ASSEMBLED AND ATTACHED TO YOUR VEHICLE. IMPROPER ATTACHMENT COULD RESULT IN AN AUTOMOBILE ACCIDENT, AND COULD CAUSE SERIOUS BODILY INJURY OR DEATH TO YOU OR TO OTHERS. YOU ARE RESPONSIBLE FOR ASSEMBLING AND SECURING ALL FRONT RUNNER PRODUCTS TO YOUR VEHICLE, CHECKING THE ATTACHMENTS PRIOR TO USE, AND PERIODICALLY INSPECTING THE PRODUCTS FOR ADJUSTMENT, WEAR, AND DAMAGE. THEREFORE, YOU MUST READ AND UNDERSTAND ALL OF THE INSTRUCTIONS AND CAUTIONS SUPPLIED WITH YOUR FRONT RUNNER PRODUCT PRIOR TO INSTALLATION OR USE. IF YOU DO NOT UNDERSTAND ALL OF THE INSTRUCTIONS AND CAUTIONS, OR IF YOU HAVE NO MECHANICAL EXPERIENCE AND ARE NOT THOROUGHLY FAMILIAR WITH THE INSTALLATION PROCEDURES, YOU SHOULD HAVE THE PRODUCT INSTALLED BY A PROFESSIONAL INSTALLER OR OTHER QUALIFIED PERSONNEL.**

# 1 GET ORGANIZED...

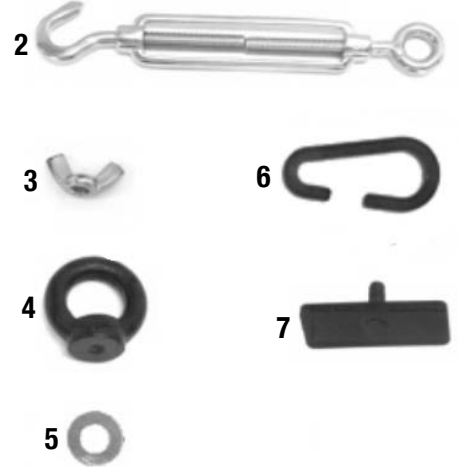
Here is what you are looking at for SSDR0005:

Item #	Quantity	Description
1	1	DRAWER SYSTEM
2	4	TURNBUCKLE
3	4	M6 WING NUT
4	6	M6 EYE NUT
5	6	NYLON WASHER
6	2	60 mm C-HOOK
7	6	M6 STUD PLATE



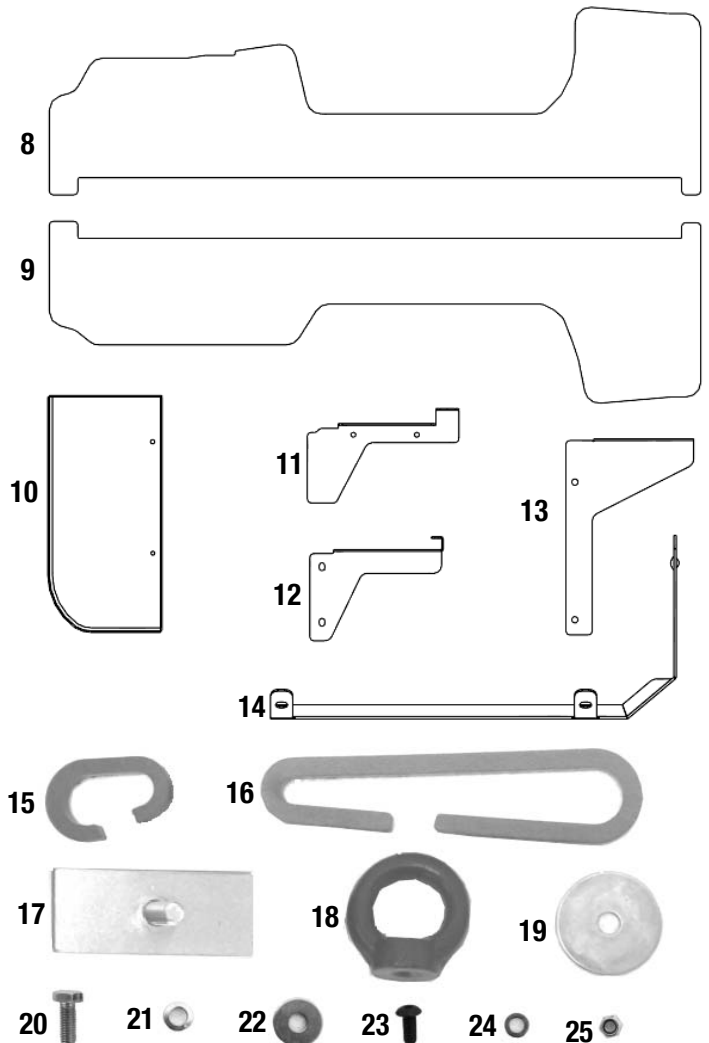
You will need:

- 8 mm & 10 mm Flat or Socket Wrench
- 14 mm Socket Wrench
- 3 mm & 4 mm Hex Key
- a Friend



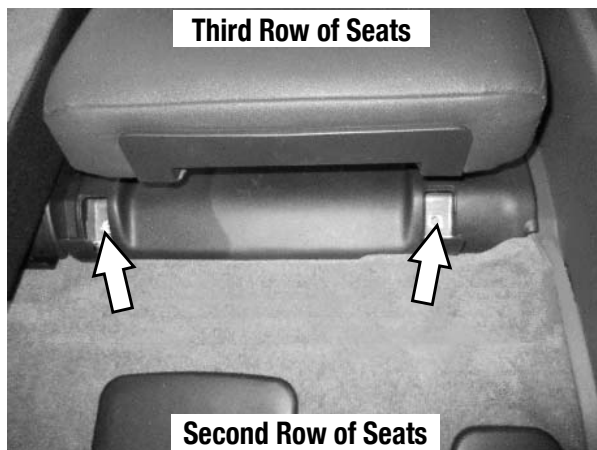
Here is what you are looking at for SSDS104:

Item #	Quantity	Description
8	1	LEFT HAND SIDE DECK
9	1	RIGHT HAND SIDE DECK
10	2	FRONT FACE - 1 LEFT, 1 RIGHT
11	2	REAR WING - 1 LEFT, 1 RIGHT
12	2	FRONT WING - 1 LEFT, 1 RIGHT
13	2	REAR WING BRACKET - 1 LEFT, 1 RIGHT
14	2	MOUNTING BRACKET - 1 LEFT, 1 RIGHT
15	4	37 mm C-HOOK
16	2	115 mm C-HOOK
17	2	M6 STUD PLATE
18	2	M6 EYE NUT
19	2	M6 x 30 FLAT WASHER
20	4	M6 x 16 HEX BOLT
21	4	M6 SPRING WASHER
22	4	M6 x 19 FLAT WASHER
23	8	M5 x 12 BUTTON HEAD BOLT
24	8	M5 FLAT WASHER
25	8	M5 NYLOC NUT



## 2 PREPARE FOR INSTALLATION

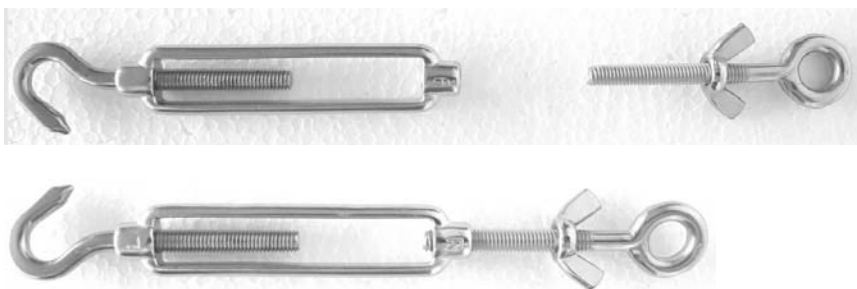
- (A) Ensure that the third row of seats are in the stowed position. Collapse the second row of seats to gain access to the base of the third row of seats. Loosen the two bolts securing the third row of seats to the vehicle either side as shown.



- (B) Secure the left and right hand Mounting Brackets (Item 14) to the vehicle as shown below, using the original bolts removed in Step 2A.

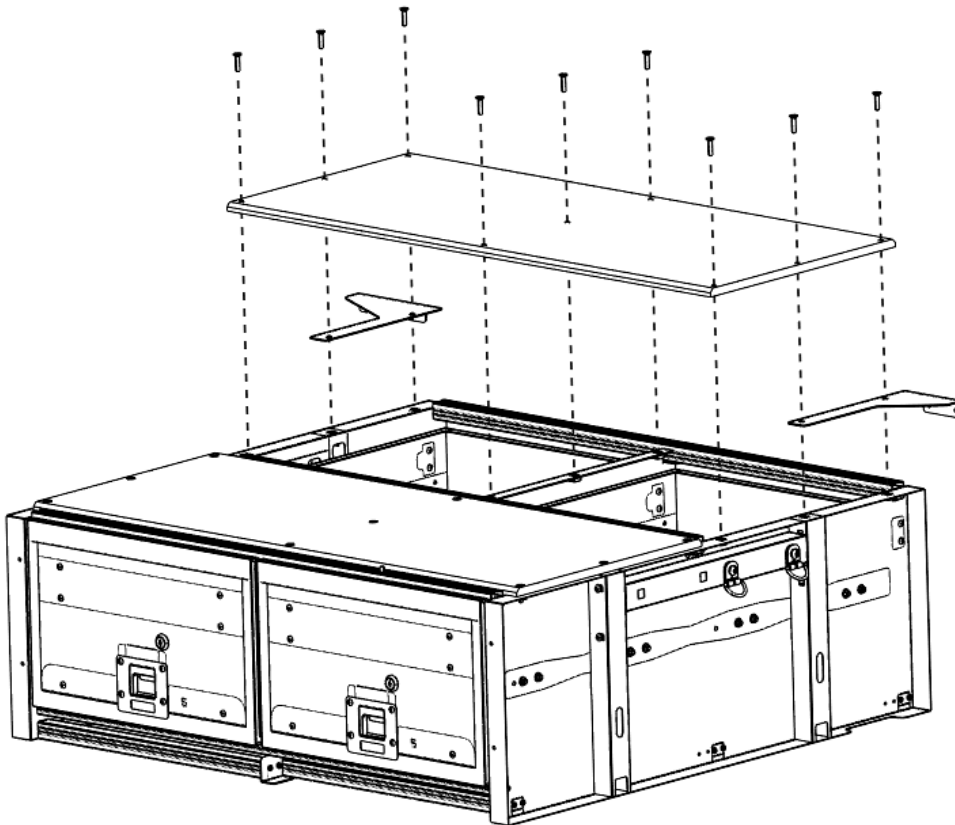


- (C) Loosen the round end of the two Turn Buckles (Item 2) supplied with SSDR005 and assemble a M6 Wing Nut (Item 3) as shown. Reassemble the Turn Buckle.



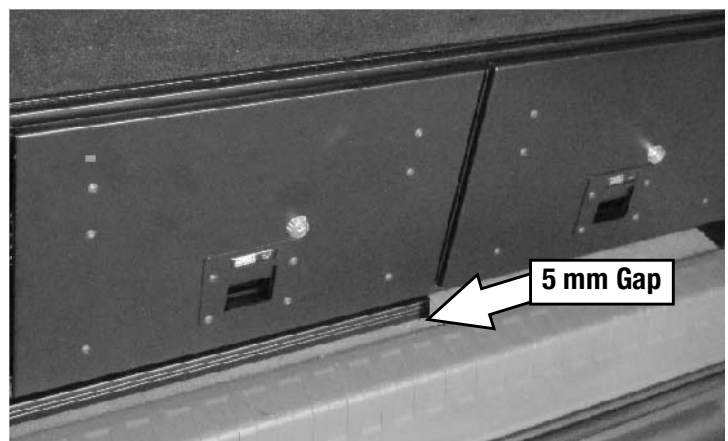
## 2 PREPARE FOR INSTALLATION CONT...

- ( D ) Loosen the nine Countersunk Bolts securing the Rear Deck to the Drawer System. Lift the Deck and place the Left and Right Hand Rear Wing Brackets (Items 13) in position between the Deck and Drawer System as shown. Secure the Deck back to the Drawer System, "sandwiching" the Wing Brackets between the Deck and Drawer System.



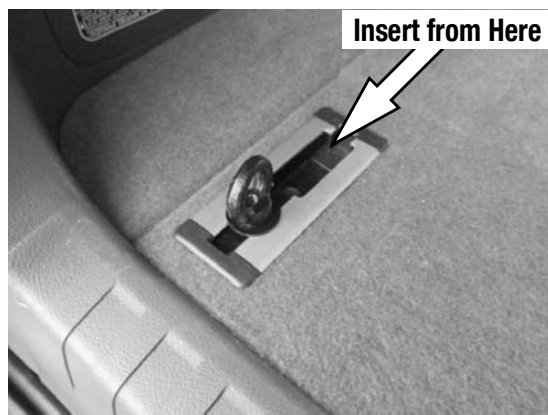
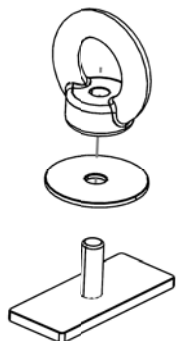
## 3 INSTALL DRAWER SYSTEM

- ( A ) Place the Drawer System (Item 1) into the vehicle taking care not to scratch the interior of the vehicle. Position the Drawer System 5mm in from the edge of the plastic trim at the rear of the vehicle. Center the Drawer System left to right.

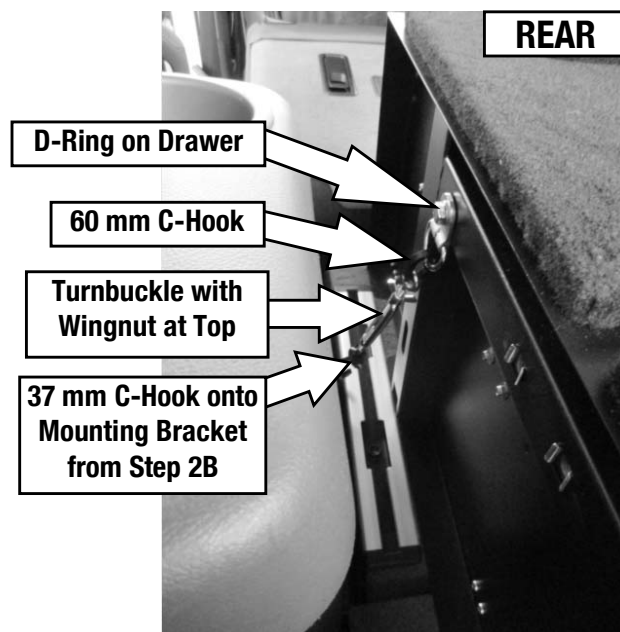
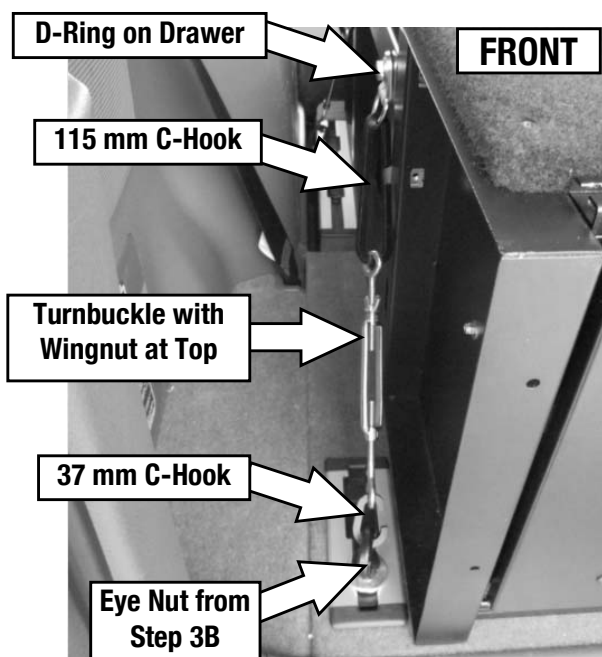


### 3 INSTALL DRAWER SYSTEM

- ( B ) Loosely assemble the two M6 Eye Nuts, two M6 x 30 Flat Washers and two M6 Stud Plate (Items 17, 18, 19 - received with SSDS104) and secure the assembly to the accessory slot found either side at the rear of the vehicle as shown.



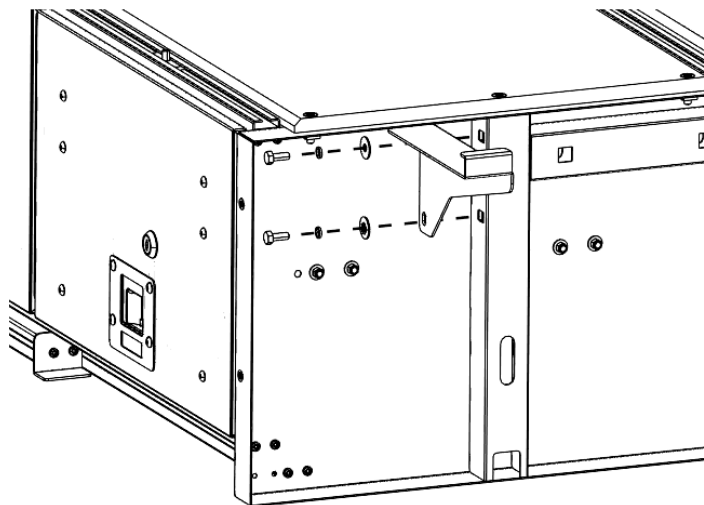
- ( C ) Secure the front and rear of the Drawer System to the vehicle using the Turnbuckles and C-Hooks (Items 2, 6, 8, 10) as shown below. Ensure the Drawer System remains in position while tightening the Turnbuckles.



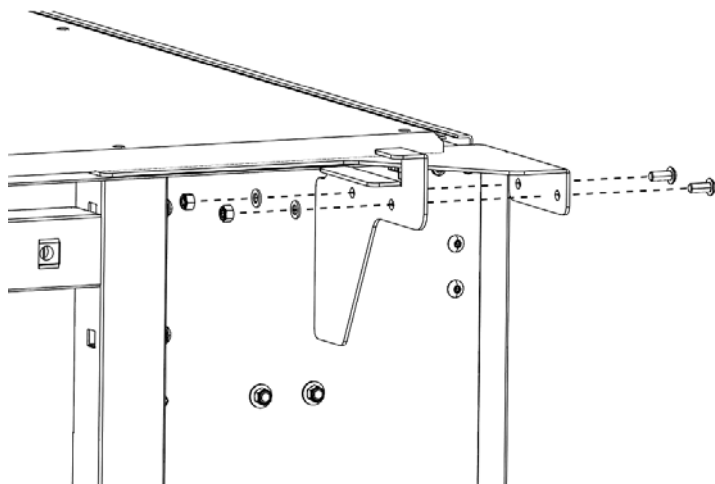
# 3

## INSTALL DRAWER SYSTEM CONT...

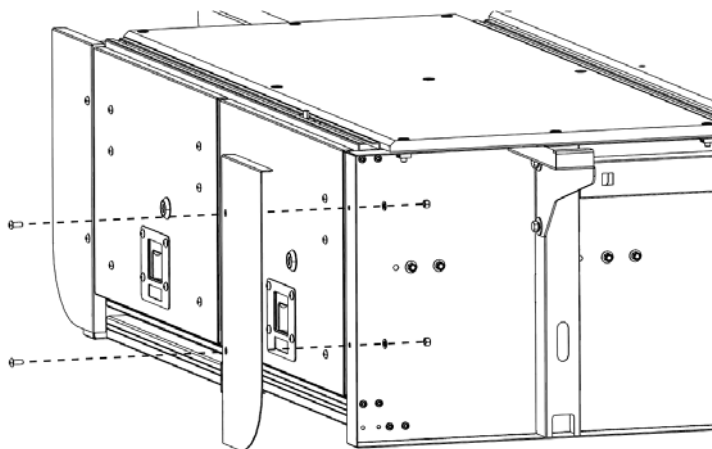
- ( D ) Secure the Left and Right Front Wings (Items 12) to the Drawer System using four M6 x 16 Hex Bolts, four M6 Spring Washers and four M6 x 19 Flat Washers (Items 20, 21, 22) as shown.



- ( E ) Secure the Left and Right Rear Wings (Item 11) to the Wing Brackets fitted in Step 2F using four M5 x 12 Button Head Bolts, four M5 Flat Washers and four M5 Nyloc Nuts (Items 23, 24, 25) as shown.



- ( F ) Secure the Left and Right Front Faces (Item 10) to the Drawer System using four M5 x 12 Button Head Bolts, four M5 Flat Washers and four M5 Nyloc Nuts (Items 23, 24, 25) as shown.



### **3 INSTALL DRAWER SYSTEM CONT...**

**( F )** Fit the Side Decks (Items 8 & 9) to the Drawer System by "clipping " them into the Wings.

**( G )** Congratulations, you have completed your installation. Take a step back and admire your work. Good Job!



### **4 INSTALL OTHER VEHICLE AND RACK ACCESSORIES**

**( A )** Now's the time to visit your favorite Front Runner dealer in person or online.