



FRONT RUNNER

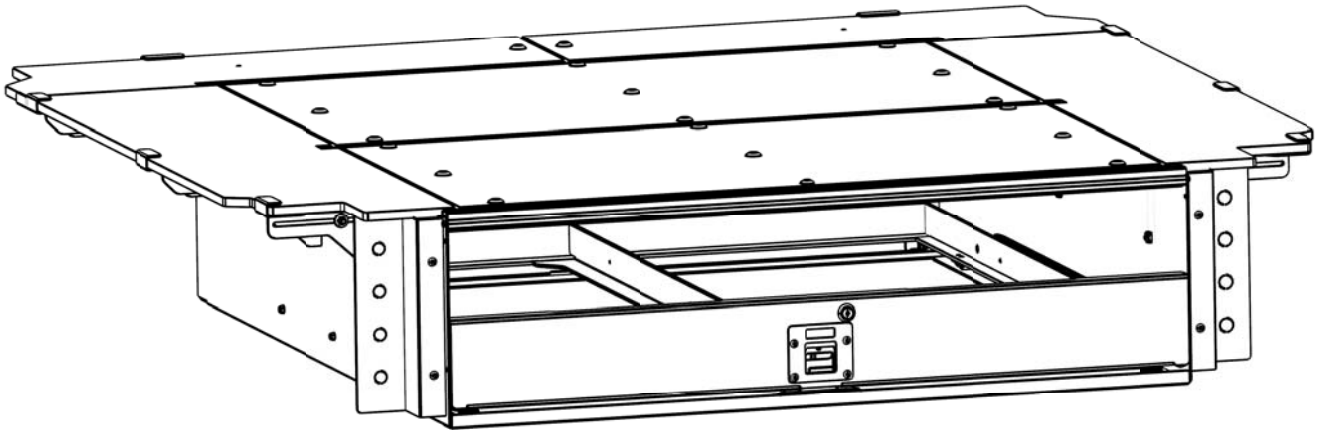
**DRAWER 6 BOX LARGE MKII
FORD RANGER**

ENG

SSDS201 / SWFR001



INSTALL TIME: 1 Hour



Thank you for purchasing a Front Runner Storage System.

This Storage System is made up of the following components:

- 1. A Large Box Drawer System - SSW0008**
- 2. A Deck Support System - SSWS001**
- 3. A Vehicle Specific Deck Set - SSDS201**

Before you start, take a moment to familiarize yourself with these Fitting Instructions and all the components received. Depending on the vehicle not all components received will be used. Refer to Pages 2 & 3 for a list of all the components and quantities of required.

IMPORTANT WARNING!

IT IS CRITICAL THAT ALL FRONT RUNNER PRODUCTS BE PROPERLY AND SECURELY ASSEMBLED AND ATTACHED TO YOUR VEHICLE. IMPROPER ATTACHMENT COULD RESULT IN AN AUTOMOBILE ACCIDENT, AND COULD CAUSE SERIOUS BODILY INJURY OR DEATH TO YOU OR TO OTHERS. YOU ARE RESPONSIBLE FOR ASSEMBLING AND SECURING ALL FRONT RUNNER PRODUCTS TO YOUR VEHICLE, CHECKING THE ATTACHMENTS PRIOR TO USE, AND PERIODICALLY INSPECTING THE PRODUCTS FOR ADJUSTMENT, WEAR, AND DAMAGE. THEREFORE, YOU MUST READ AND UNDERSTAND ALL OF THE INSTRUCTIONS AND CAUTIONS SUPPLIED WITH YOUR FRONT RUNNER PRODUCT PRIOR TO INSTALLATION OR USE. IF YOU DO NOT UNDERSTAND ALL OF THE INSTRUCTIONS AND CAUTIONS, OR IF YOU HAVE NO MECHANICAL EXPERIENCE AND ARE NOT THOROUGHLY FAMILIAR WITH THE INSTALLATION PROCEDURES, YOU SHOULD HAVE THE PRODUCT INSTALLED BY A PROFESSIONAL INSTALLER OR OTHER QUALIFIED PERSONNEL.

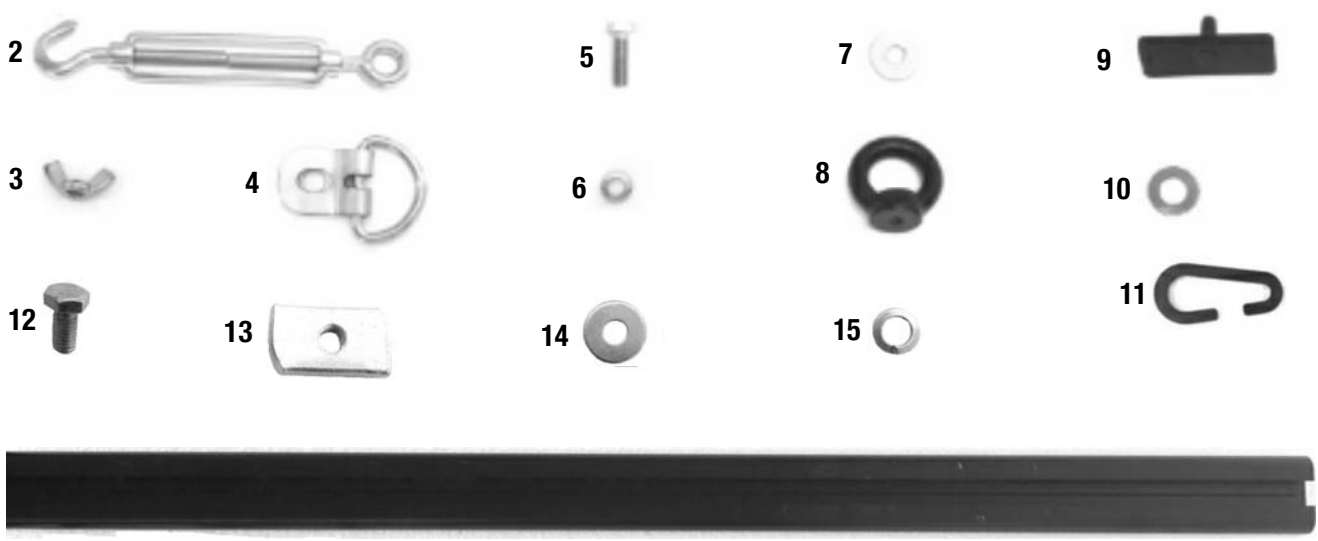
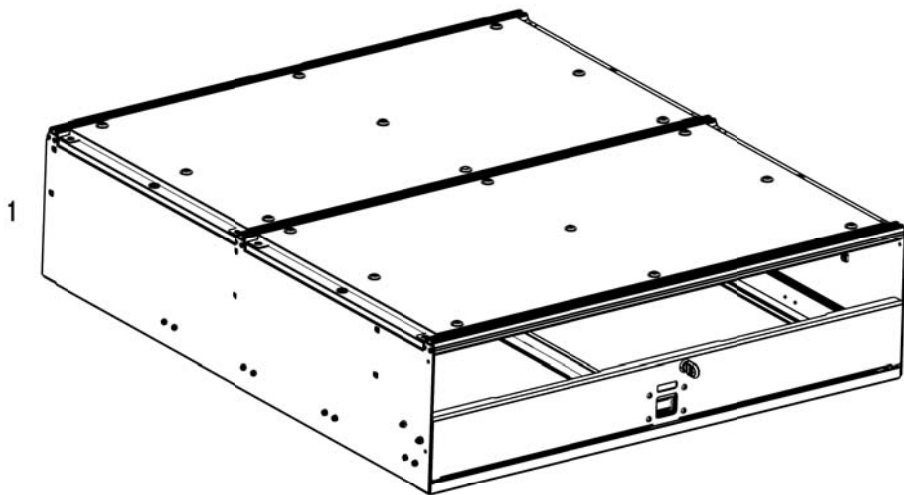
1 GET ORGANIZED...

Here is what you are looking at for SSW0008:

Item #	Quantity	Description
1	1	SIX BOX DRAWER
2	4	TURNBUCKLE
3	4	WING NUT
4	4	D-RING
5	4	M6 x 20 HEX BOLT
6	4	M6 SPRING WASHER
7	4	M6 x 19 FLAT WASHER
8	6	EYE NUT
9	6	STUD PLATE
10	6	NYLON WASHER
11	4	60mm C-HOOK
12	3	M8 x 16 HEX BOLT
13	3	M8 CHANNEL NUT
14	3	M8 x 25 FLAT WASHER
15	3	M8 SPRING WASHER
16	1	TRACK

You will need:

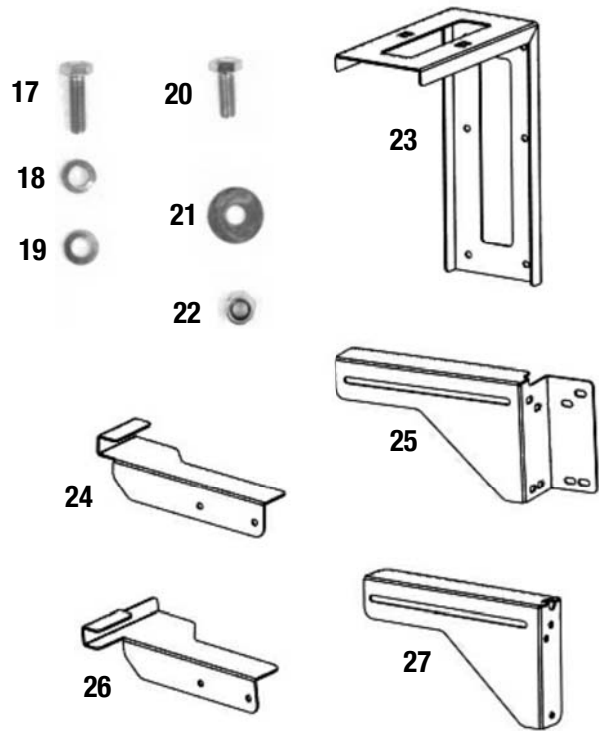
- 10 mm Flat & Socket Wrench
- 4 mm Hex Key
- a Friend
- Measuring Tape
- Suitable Marker Pen
- Drill Machine
- 6.5 mm Drill Bit



1 GET ORGANIZED CONT...

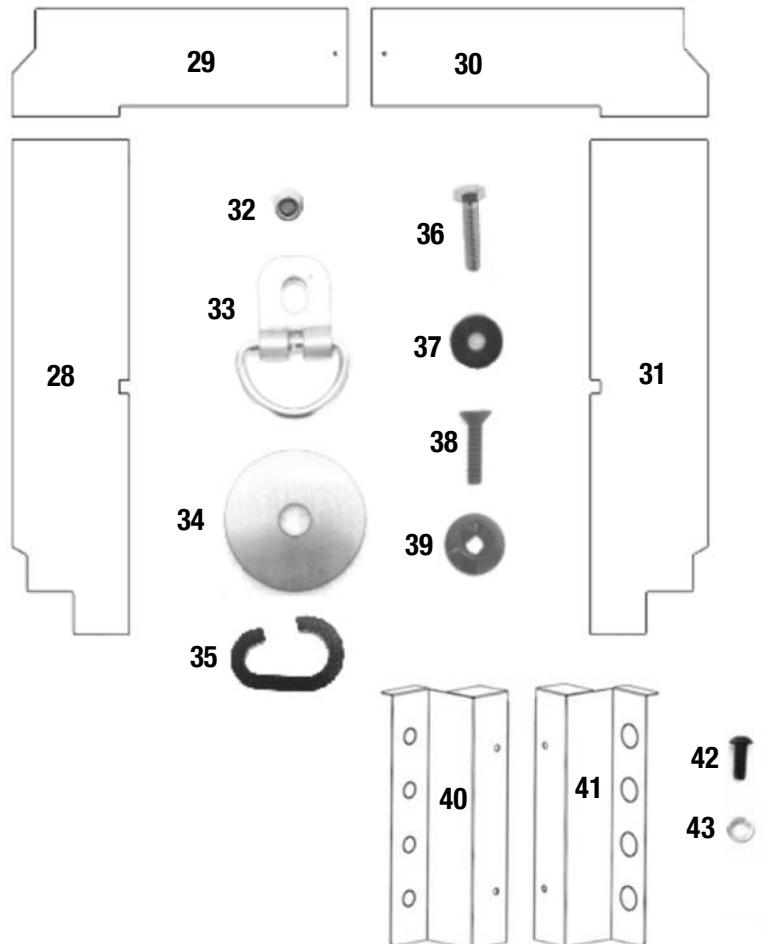
Here is what you are looking at for SSWS001:

Item #	Quantity	Description
17	10	M6 x 20 HEX BOLT
18	10	M6 SPRING WASHER
19	16	M6 FLAT WASHER
20	16	M6 x 16 HEX BOLT
21	26	M6 x 19 FLAT WASHER
22	16	M6 NYLOC NUT
23	1	REAR SUPPORT
24	6	WING SLIDER TYPE 1 - 3 LEFT, 3 RIGHT
25	4	CORNER WING - 2 LEFT, 2 RIGHT
26	2	WING SLIDER TYPE 2 - 1 LEFT, 1 RIGHT
27	4	SIDE WING - 2 LEFT, 2 RIGHT



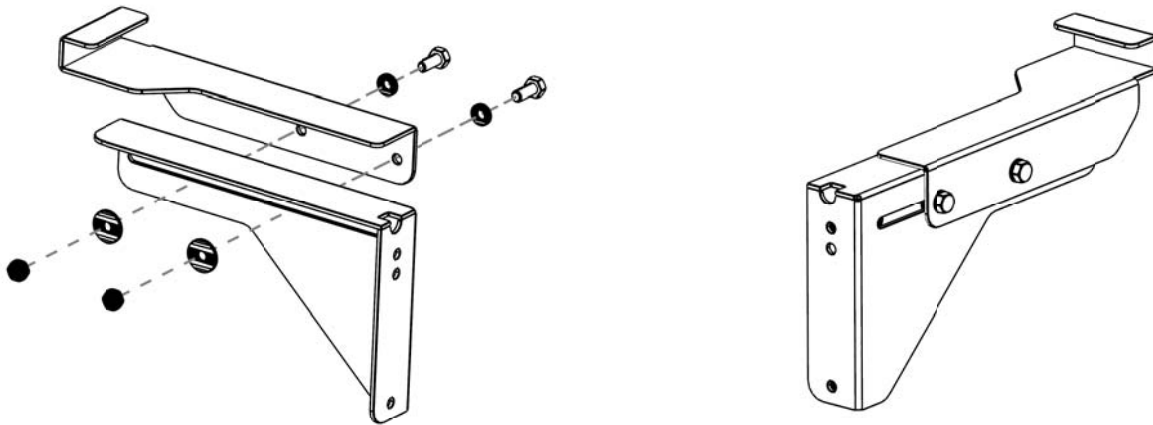
Here is what you are looking at for SSDS201:

Item #	Quantity	Description
28	1	FRONT LEFT DECK
29	1	REAR LEFT DECK
30	1	REAR RIGHT DECK
31	1	FRONT RIGHT DECK
32	6	M6 NYLOC NUT
33	2	D-RING
34	4	MM10 x 50 FLAT WASHER
35	2	37mm C-HOOK
36	2	M6 x 25 HEX BOLT
37	4	M6 x 19 FLAT WASHER
38	2	M6 x 25 COUNTERSUNK BOLT
39	2	M6 FINISHING WASHER
40	1	RIGHT HAND FRONT FACE
41	1	LEFT HAND FRONT FACE
42	4	M6 x 16 BUTTON HEAD BOLT
43	4	M6 FLAT WASHER

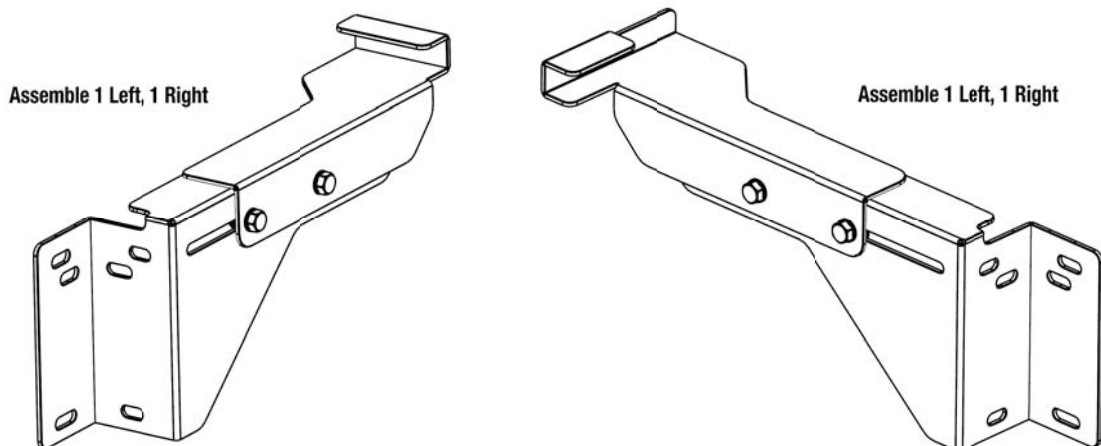


2 PREPARE FOR INSTALLATION CONT...

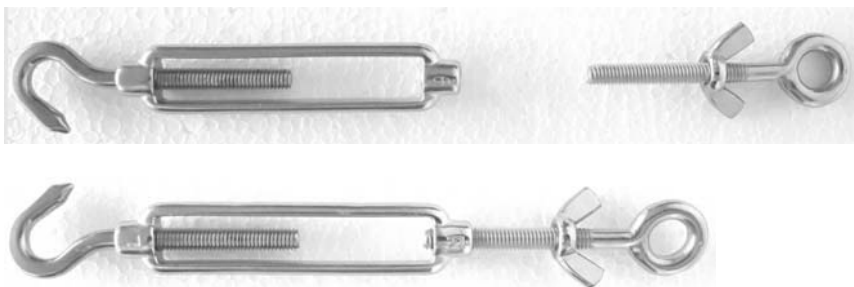
- (A) Loosely assemble the left and right hand Side Wing Sets (Items 24, 27) as shown below using two M6 x 16 Hex Bolts, two M6 Flat Washers, two M6 x 19 Flat Washers and two M6 Nyloc Nuts as shown (Items 19, 20, 21, 22) received with SSWS001.



- (B) Using Step 2A as a guide, loosely assemble the Corner Wing Sets (Items 24, 25, 26) as shown.

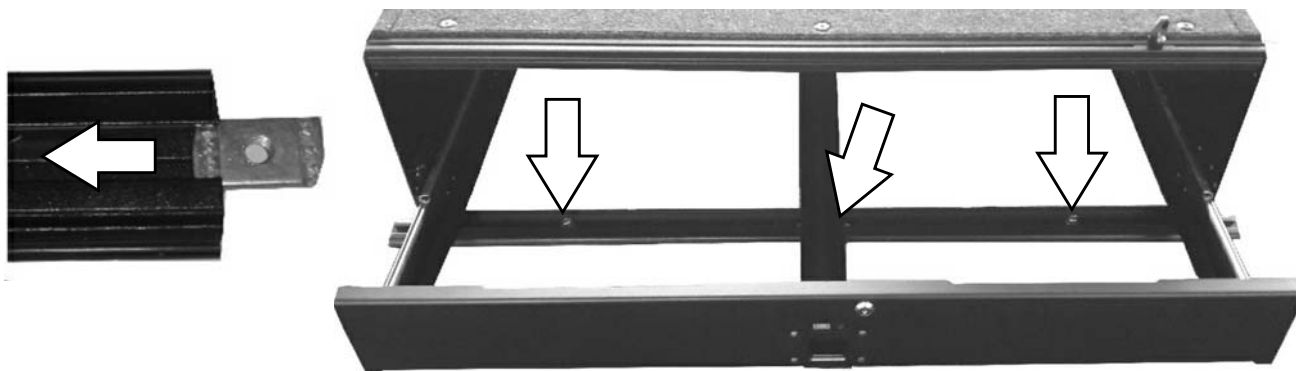


- (C) Loosen the round end of the four Turn Buckles (Item 2) supplied with SSW0008. Screw a M6 Wing Nut (Item 3) onto each round end and reassemble the Turn Buckle as shown.

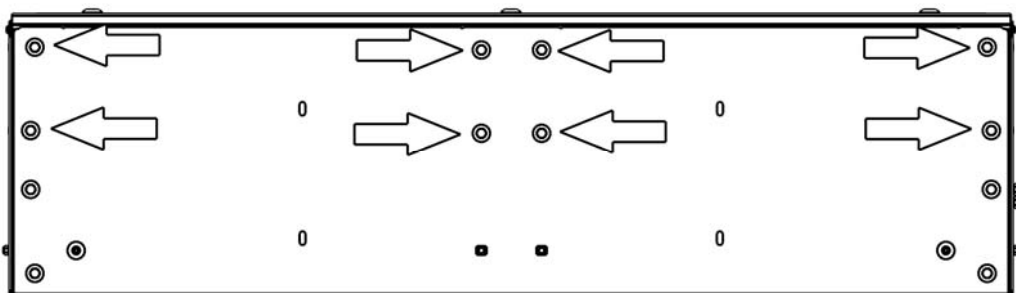


2 PREPARE FOR INSTALLATION CONT...

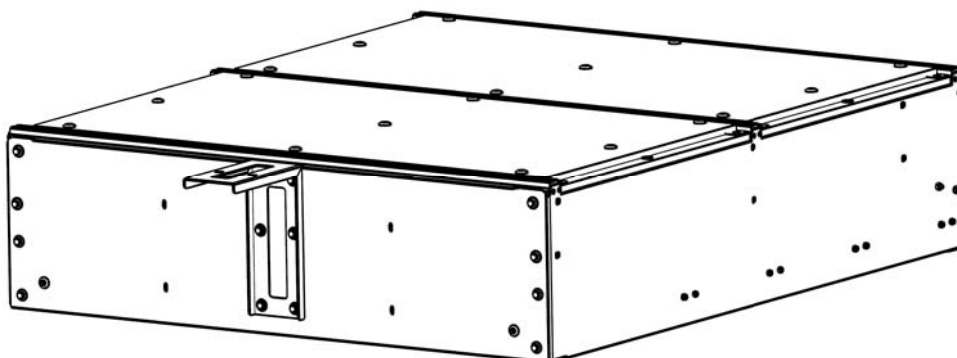
- (D) Slide the three Channel Nuts (Item 13) into the Track (Item 16). Place the Track under the front cross strap of the Drawer System. Line the three Channel Nuts inside the Track up with the mounting holes in the cross strap (as indicated by the arrows) and loosely secure the Track in position using the three M8 x 16 Hex Bolts, three M8 x 25 Flat Washers and three M8 Springs Washers (Items 12, 14, 15). Center the Track from left to right and fasten.



- (E) Looking at the rear of the Drawer System, remove the bolts as indicated by the arrows. Keep the bolts and washers safe as they will be used at a later stage.

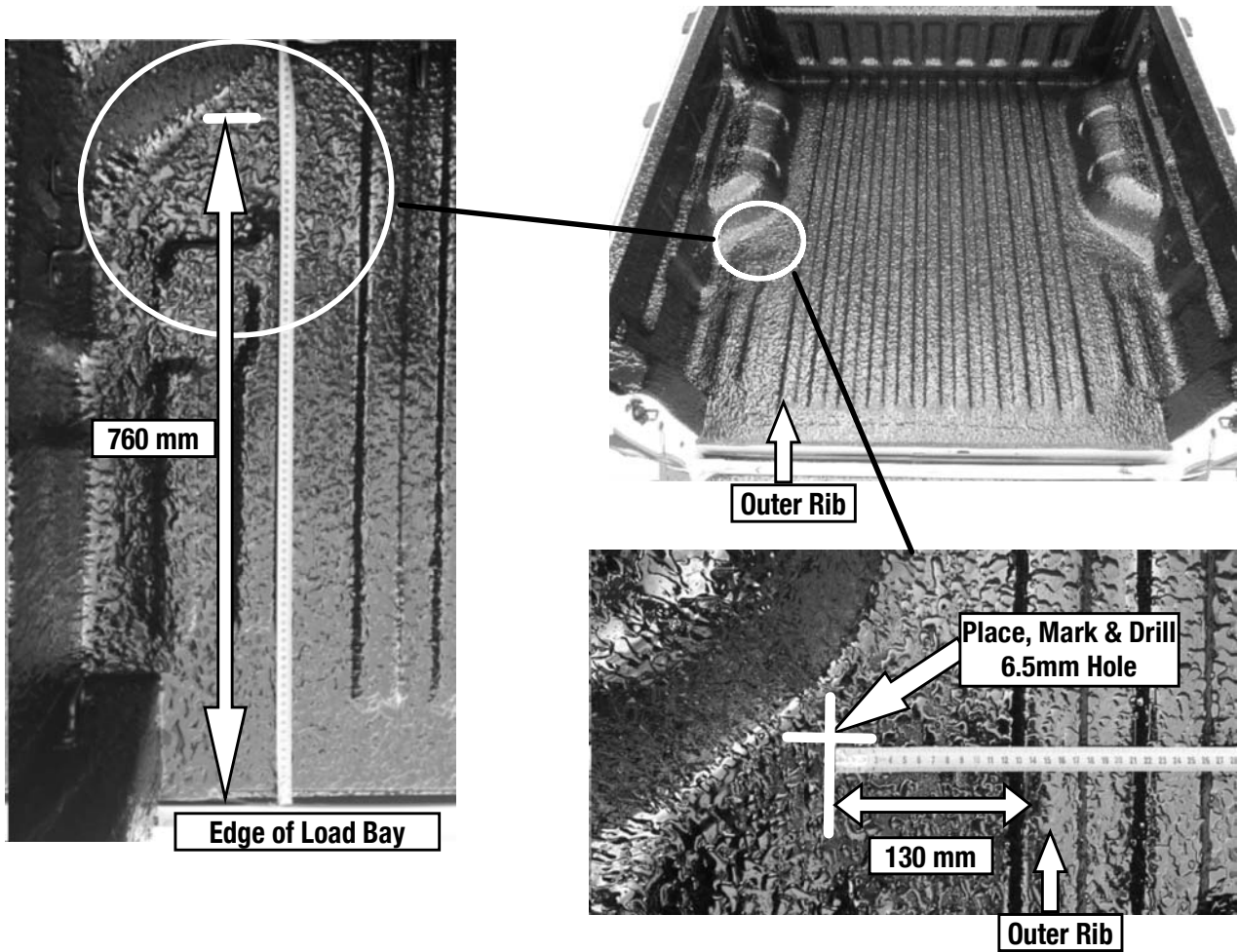


- (F) Using six M6 x 20 Hex Hex Bolts, six M6 Spring Washers and six M6 x 19 Flat Washers removed in Step 2E, secure the Rear Support (Item 23) to the back of the Drawer System as shown.



2 PREPARE FOR INSTALLATION CONT...

- (G) Working inside the loadbay, just below the wheel arches towards the rear of the vehicle, measure and mark the load bay either side as indicated below. Drill a 6.5mm hole on each of your markings.

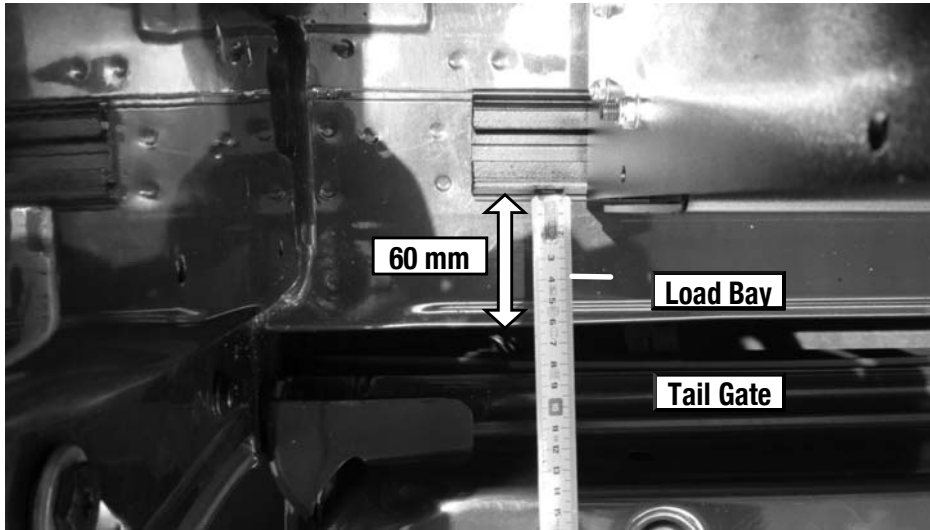


- (H) Secure the two D-rings (Item 33 received with SSDS201) to the inside of the vehicle's load bay. You will be bolting through the two 6.5 mm holes drilled in Step 2H using two M6 x 25 Hex Bolts, four M6 x 19 Flat Washers, two M10 x 50 Flat Washers and a two M6 Nyloc Nuts (Items 32, 34, 36, 37 received with SSDS201) as shown.



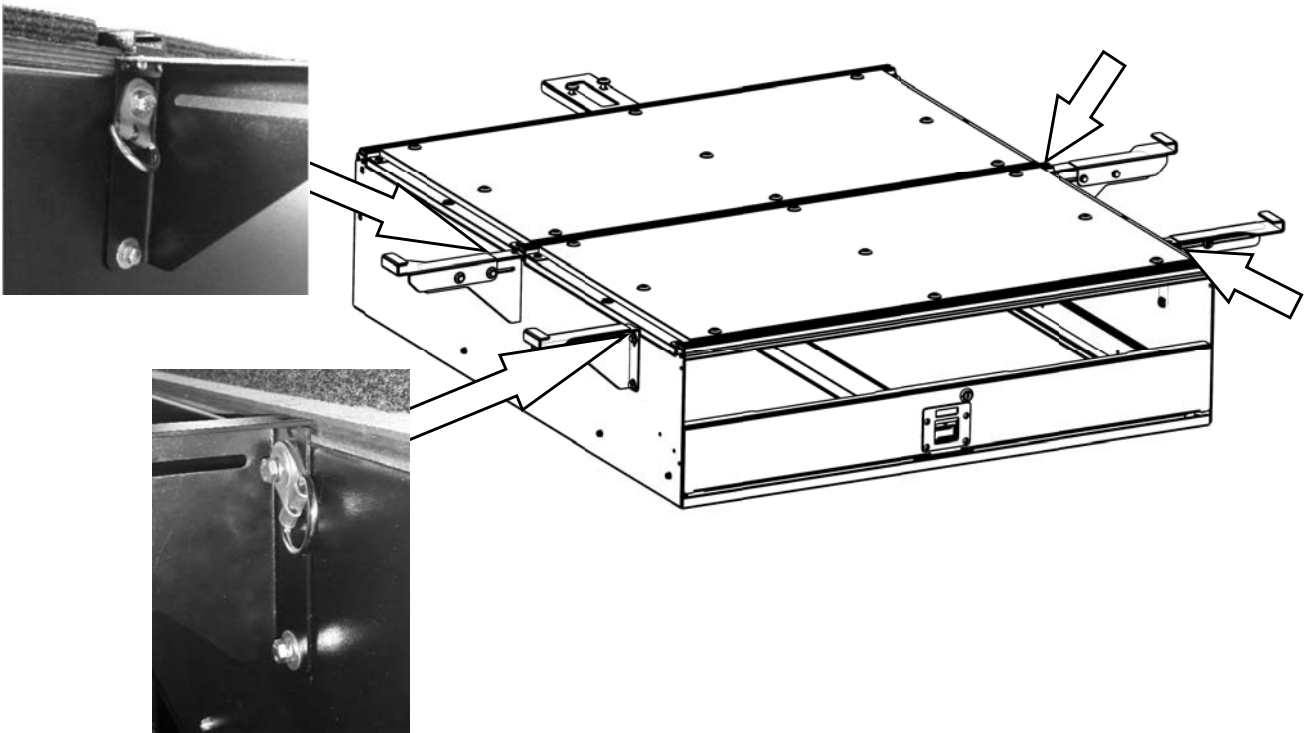
3 INSTALL DRAWER SYSTEM

- (A) Lift the Drawer System (Item 1) into the vehicle's load bay and position it 60 mm in from the front of the load bay and center it from left to right.



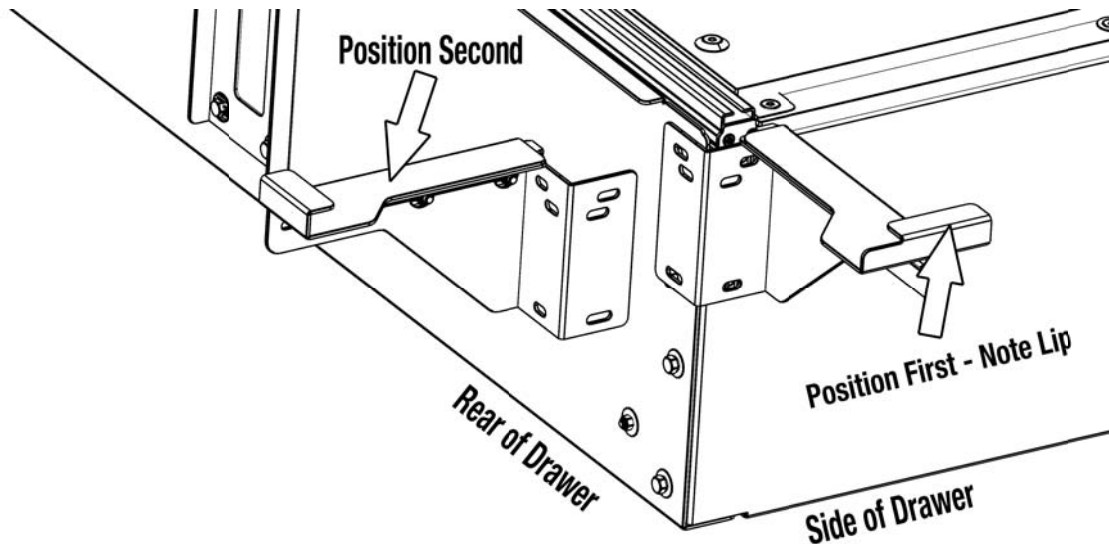
- (B) Secure the bottom of the Side Wing Assemblies from Step 2A to the Drawer System using four M6 x 20 Hex Bolts, four M6 Spring Washers and four M6 Flat Washers (Items 17, 18, 21) received with SSW0001.

When Securing the TOP of the Wing Assemblies, loosely secure a D-ring (Item 4) to the Drawer and Wing Assembly using a M6 x 20 Hex Bolt, M6 Spring Washer and M6 x 19 Flat Washer (Item 5, 6, 7) received with SSW0008 as shown.



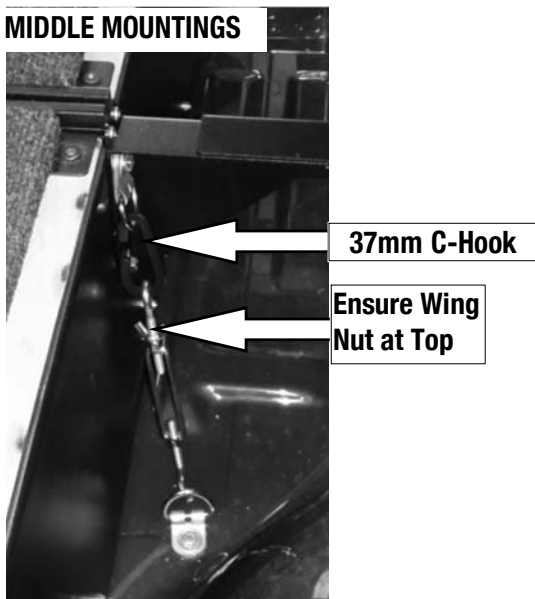
3 INSTALL DRAWER SYSTEM CONT...

- (C) Position the Corner Wing Assemblies from Step 2B over the corners of the Drawer as shown. Secure the Assemblies to the Drawer using the remaining M6 x 20 Hex Bolts, M6 x 19 Flat Washers and M6 Spring Washers.

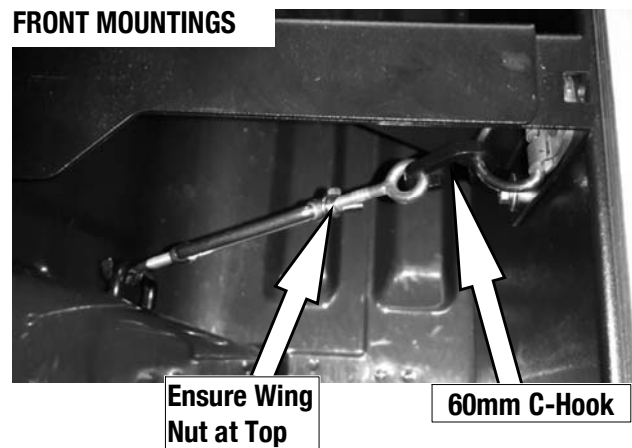


- (D) Secure the middle D-ring mounts on the Drawer System to the D-rings fitted in Step 2H using a 60 mm C-hook and Turn Buckle (Items 2, 11) each side. Secure the front D-Ring mounts to the tie down rings found at the rear of the vehicle using the remaining Turn Buckles and two 37 mm C-hooks (Item 35) recieved with SSDS201. Ensure the Wing Nut goes towards the top of the Drawer System. When tightening the Turn Buckles ensure that the Drawer System remains centered left to right and 60 mm from the front. Once the Drawer is secure in position tighten the Wing Nuts on the Turn Buckles and the Bolts securing the D-rings to the Drawer System and the vehicle's load bay.

MIDDLE MOUNTINGS



FRONT MOUNTINGS

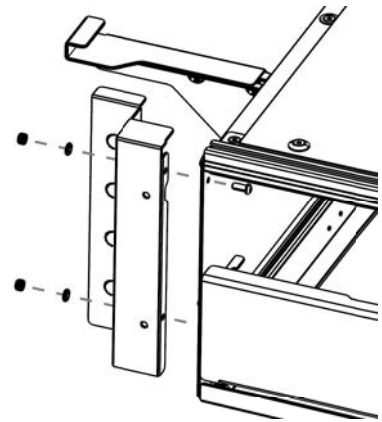


3 INSTALL DRAWER SYSTEM CONT...

(E) Fit the Side and Rear Decks (Items 28, 29, 30, 31) into position, by "clipping" the outer edge of the Decks into the Wing Sliders (Item 24 & 26) and pushing the Decks towards the outside of the vehicle, thereby adjusting the Slider to the correct length. Once you are happy with the length of the Slider, carefully remove the Decks taking care not to move the Sliders and fasten the two bolts on each Slider, locking it into position.

(F) Secure the center of the Rear Decks to the Rear Support (Item 23) using the two M6 x 25 Countersunk Bolts and two M6 Finishing Washers (Items 38 & 39).

(G) Assemble the two Front Faces (Items 40, 41) to the side of the Drawer System using the four M6 x 16 Button Head Bolts, four M6 Flat Washers and four Nyloc Nuts (Items 32, 42, 43).



(H) Congratulations, you have completed your installation. Take a step back and admire your work. Good Job!

