



**FRONT RUNNER**

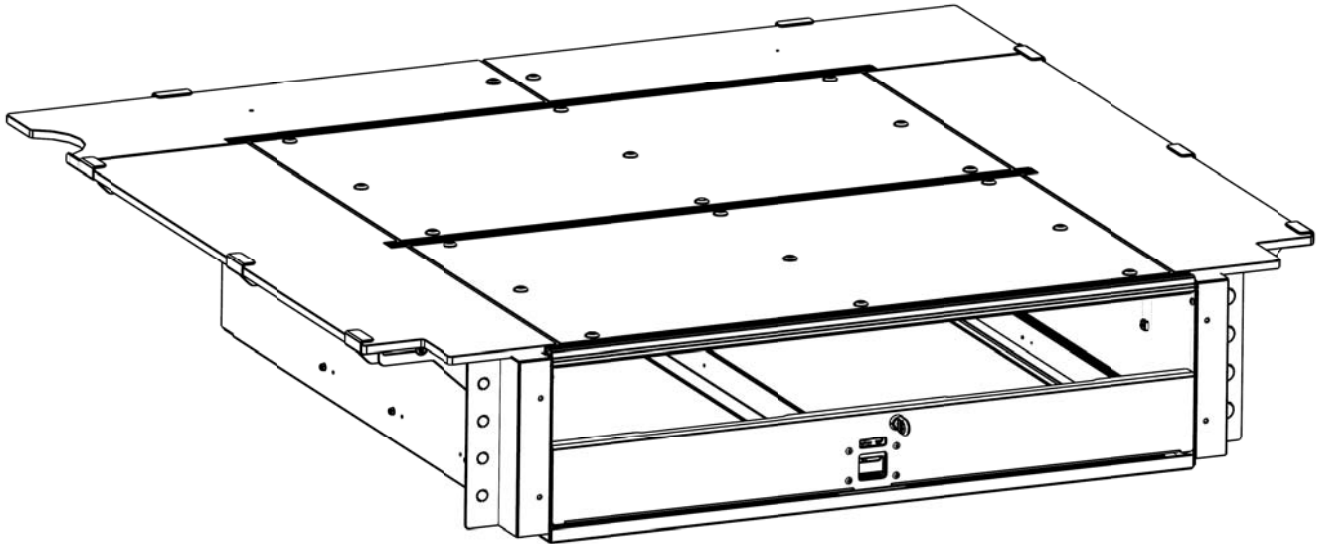
**DRAWER 6 BOX LARGE MKII  
VOLKSWAGEN AMAROK**

**ENG**

SSDS301 / SWVA001



**INSTALL TIME: 1 Hour**



**Thank you for purchasing a Front Runner Storage System.**

**This Storage System is made up of the following components:**

- 1. A Large Box Drawer System - SSW0008**
- 2. A Deck Support System - SSWS001**
- 3. A Vehicle Specific Deck Set - SSDS301**

**Before you start, take a moment to familiarize yourself with these Fitting Instructions and all the components received. Depending on the vehicle not all components received will be used. Refer to Pages 2 & 3 for a list of all the components and quantities of required.**

### **IMPORTANT WARNING!**

**IT IS CRITICAL THAT ALL FRONT RUNNER PRODUCTS BE PROPERLY AND SECURELY ASSEMBLED AND ATTACHED TO YOUR VEHICLE. IMPROPER ATTACHMENT COULD RESULT IN AN AUTOMOBILE ACCIDENT, AND COULD CAUSE SERIOUS BODILY INJURY OR DEATH TO YOU OR TO OTHERS. YOU ARE RESPONSIBLE FOR ASSEMBLING AND SECURING ALL FRONT RUNNER PRODUCTS TO YOUR VEHICLE, CHECKING THE ATTACHMENTS PRIOR TO USE, AND PERIODICALLY INSPECTING THE PRODUCTS FOR ADJUSTMENT, WEAR, AND DAMAGE. THEREFORE, YOU MUST READ AND UNDERSTAND ALL OF THE INSTRUCTIONS AND CAUTIONS SUPPLIED WITH YOUR FRONT RUNNER PRODUCT PRIOR TO INSTALLATION OR USE. IF YOU DO NOT UNDERSTAND ALL OF THE INSTRUCTIONS AND CAUTIONS, OR IF YOU HAVE NO MECHANICAL EXPERIENCE AND ARE NOT THOROUGHLY FAMILIAR WITH THE INSTALLATION PROCEDURES, YOU SHOULD HAVE THE PRODUCT INSTALLED BY A PROFESSIONAL INSTALLER OR OTHER QUALIFIED PERSONNEL.**

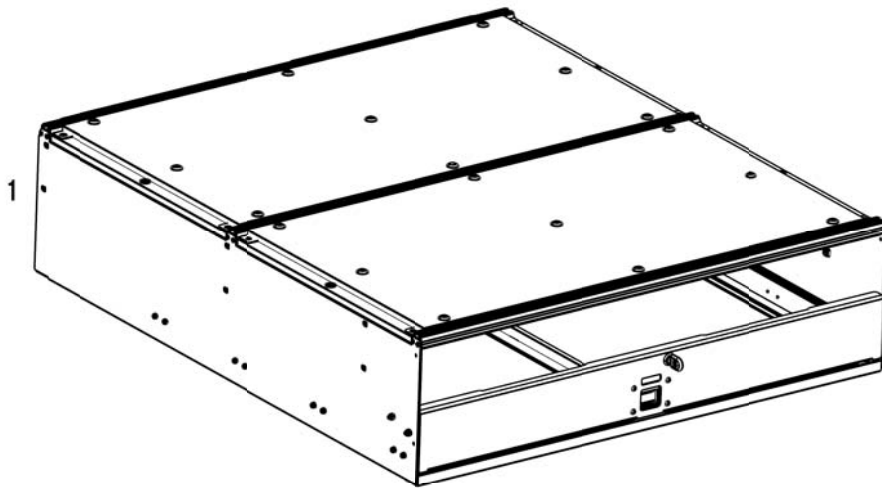
# 1 GET ORGANIZED...

Here is what you are looking at for SSW0008:

Item #	Quantity	Description
1	1	SIX WOLF BOX DRAWER SYSTEM
2	4	TURNBUCKLE
3	4	WING NUT
4	4	D-RING
5	4	M6 x 20 HEX BOLT
6	4	M6 SPRING WASHER
7	4	M6 x 19 FLAT WASHER
8	6	EYE NUT
9	6	STUD PLATE
10	6	NYLON WASHER
11	4	60mm C-HOOK
12	3	M8 x 16 HEX BOLT
13	3	M8 CHANNEL NUT
14	3	M8 x 25 FLAT WASHER
15	3	M8 SPRING WASHER
16	1	TRACK

You will need:

- 10 mm Flat & Socket Wrench
- 4 mm Hex Key
- a Friend
- Measuring Tape



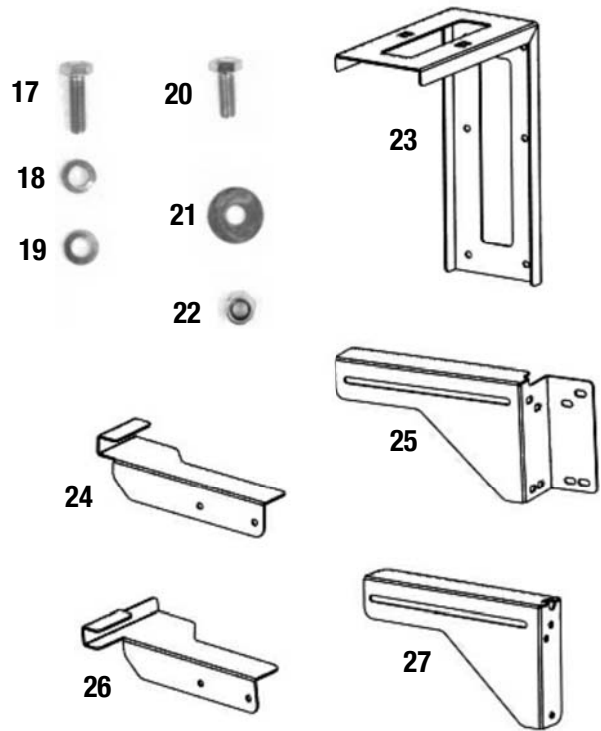
16



# 1 GET ORGANIZED CONT...

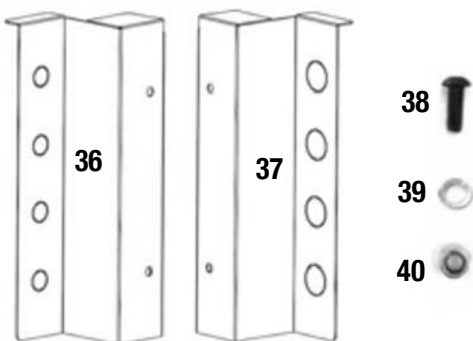
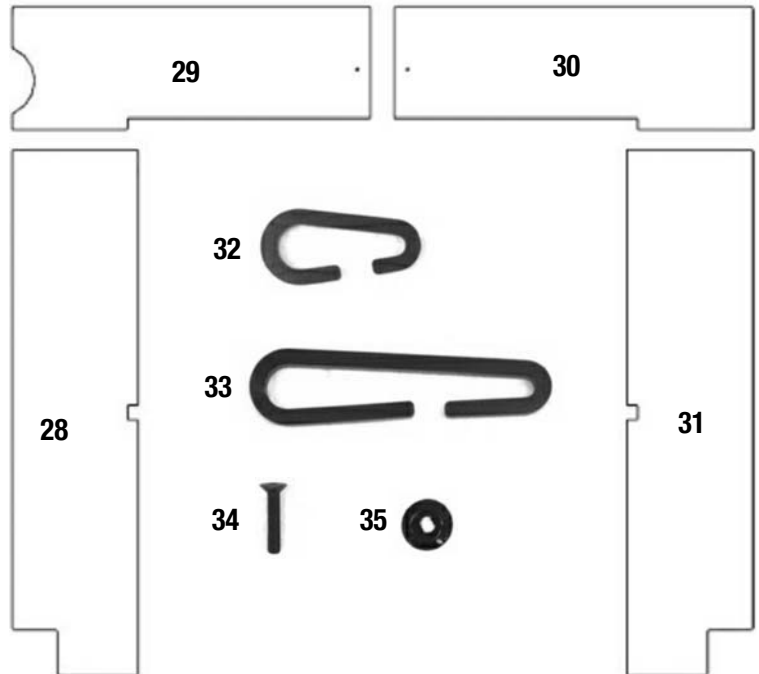
Here is what you are looking at for SSWS001:

Item #	Quantity	Description
17	10	M6 x 20 HEX BOLT
18	10	M6 SPRING WASHER
19	16	M6 FLAT WASHER
20	16	M6 x 16 HEX BOLT
21	26	M6 x 19 FLAT WASHER
22	16	M6 NYLOC NUT
23	1	REAR SUPPORT
24	6	WING SLIDER TYPE 1 - 3 LEFT, 3 RIGHT
25	4	CORNER WING - 2 LEFT, 2 RIGHT
26	2	WING SLIDER TYPE 2 - 1 LEFT, 1 RIGHT
27	4	SIDE WING - 2 LEFT, 2 RIGHT



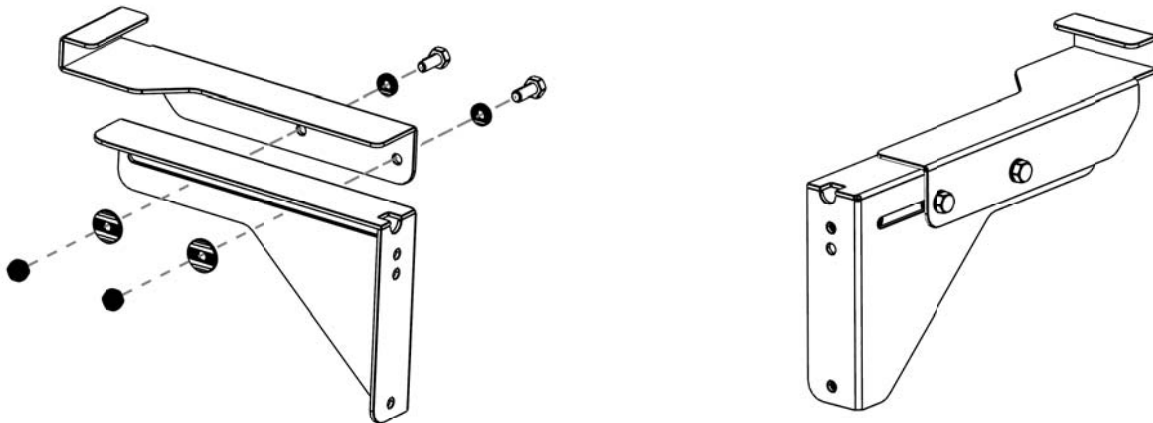
Here is what you are looking at for SSDS301:

Item #	Quantity	Description
28	1	FRONT LEFT DECK
29	1	REAR LEFT DECK
30	1	REAR RIGHT DECK
31	1	FRONT RIGHT DECK
32	2	60mm C-HOOK
33	2	115mm C-HOOK
34	2	M6 x 25 COUNTERSUNK BOLT
35	2	M6 FINISHING WASHER
36	1	LEFT HAND FRONT FACE
37	1	RIGHT HAND FRONT FACE
38	4	M6 x 16 BUTTON HEAD BOLT
39	4	M6 FLAT WASHER

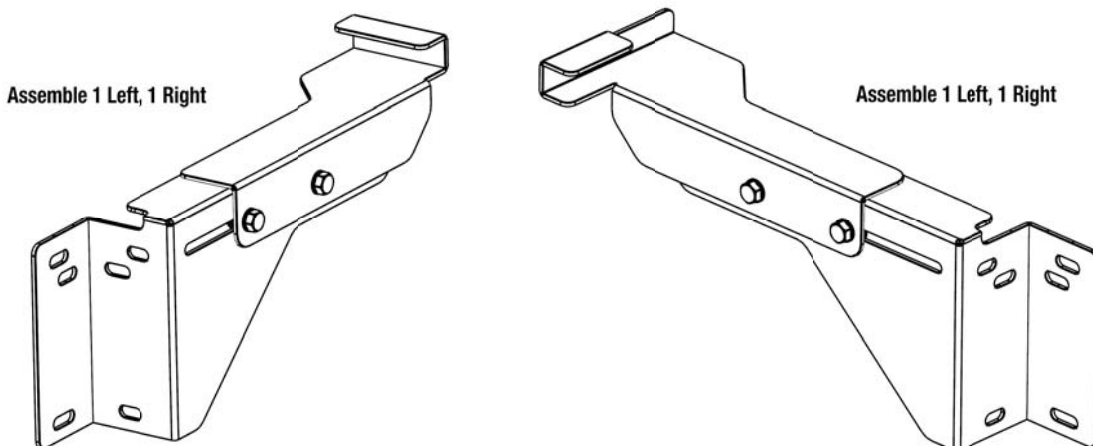


## 2 PREPARE FOR INSTALLATION CONT...

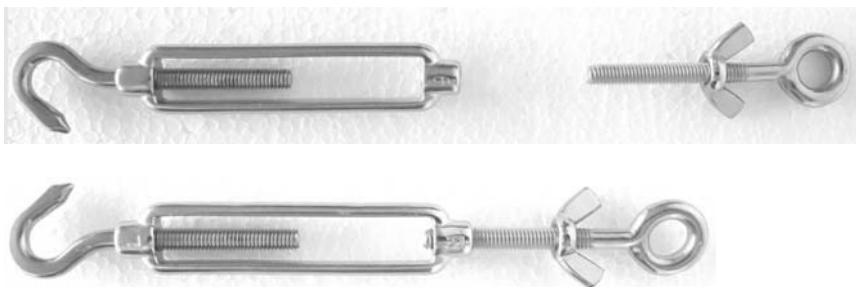
- ( A ) Loosely assemble the left and right hand Side Wing Sets (Items 24, 27) as shown below using two M6 x 16 Hex Bolts, two M6 Flat Washers, two M6 x 19 Flat Washers and two M6 Nyloc Nuts as shown (Items 19, 20, 21, 22) received with SSWS001.



- ( B ) Using Step 2A as a guide, loosely assemble the Corner Wing Sets (Items 24, 25, 26) as shown.

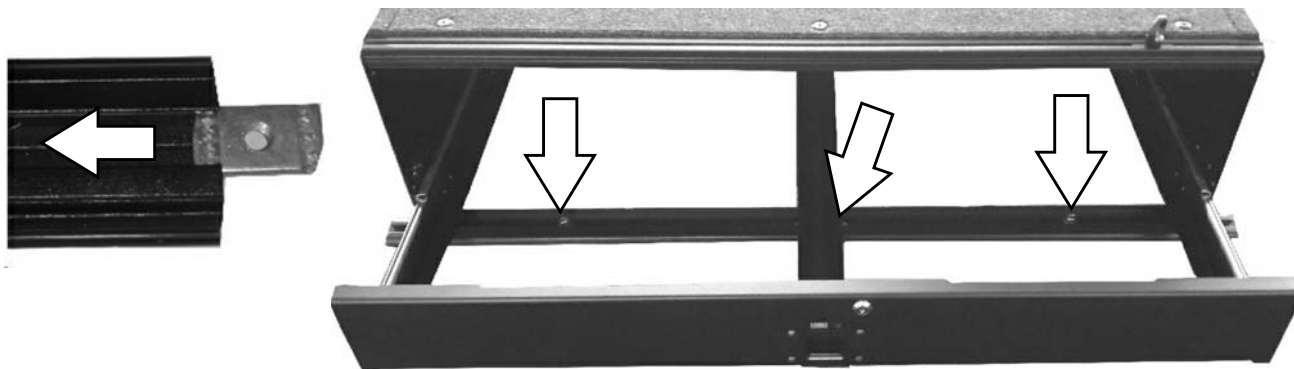


- ( C ) Loosen the round end of the four Turn Buckles (Item 2) supplied with SSW0008. Screw a M6 Wing Nut (Item 3) onto each round end and reassemble the Turn Buckle as shown.

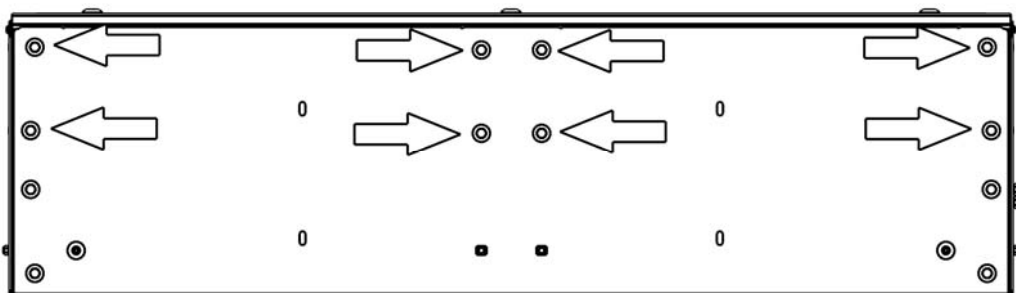


## 2 PREPARE FOR INSTALLATION CONT...

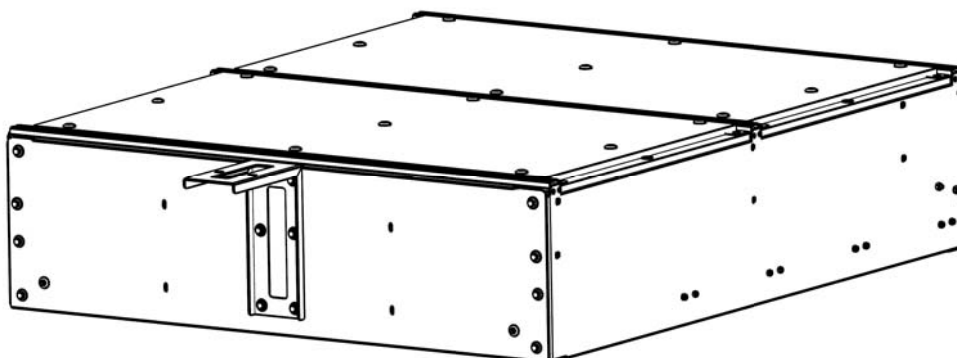
- ( D ) Slide the three Channel Nuts (Item 13) into the Track (Item 16). Place the Track under the front cross strap of the Drawer System. Line the three Channel Nuts inside the Track up with the mounting holes in the cross strap (as indicated by the arrows) and loosely secure the Track in position using the three M8 x 16 Hex Bolts, three M8 x 25 Flat Washers and three M8 Springs Washers (Items 12, 14, 15). Center the Track from left to right and fasten.



- ( E ) Looking at the rear of the Drawer System, remove the bolts as indicated by the arrows. Keep the bolts and washers safe as they will be used at a later stage.

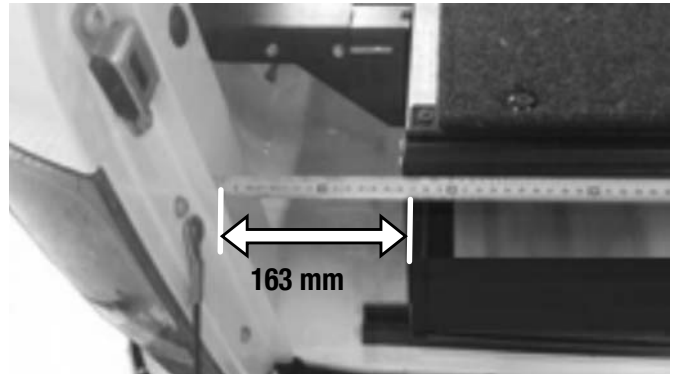
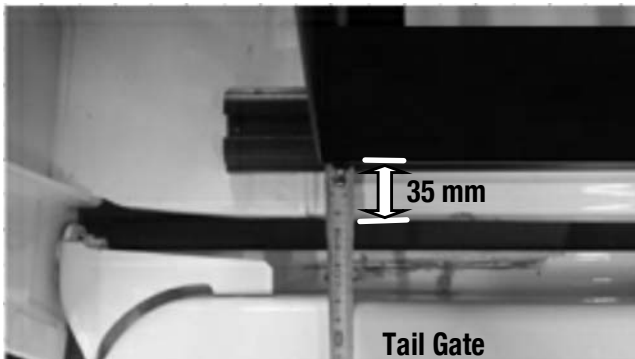


- ( F ) Using six M6 x 20 Hex Hex Bolts, six M6 Spring Washers and six M6 x 19 Flat Washers removed in Step 2E, secure the Rear Support (Item 23) to the back of the Drawer System as shown.



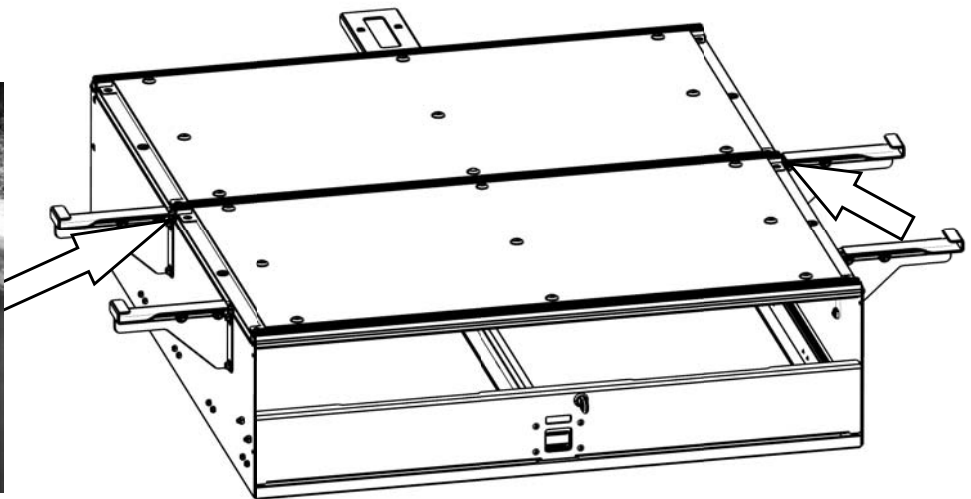
### 3 INSTALL DRAWER SYSTEM

- ( A ) Lift the Drawer System (Item 1) into the vehicle's load bay and position it 35 mm in from the front of the load bay and 163 mm in from the side of the load bay as shown.



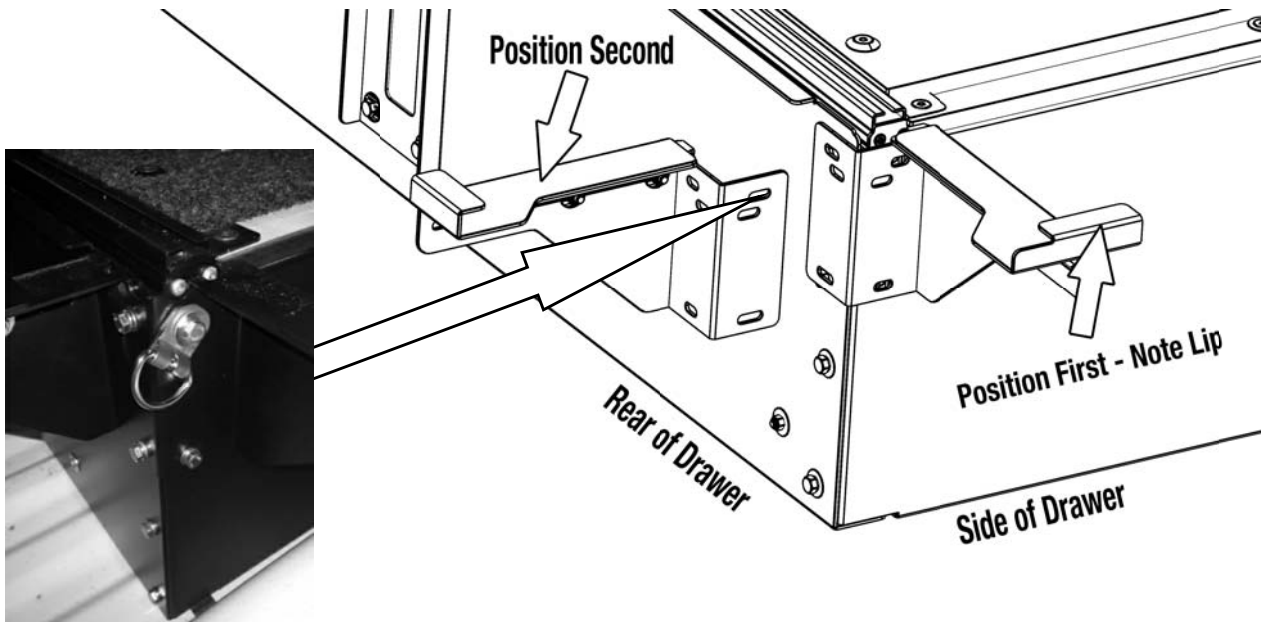
- ( B ) Secure the Side Wing Assemblies from Step 2A to the Drawer System using six M6 x 20 Hex Bolts, six M6 Spring Washers and six M6 Flat Washers (Items 17, 18, 21) received with SSW0001.

When Securing the TOP mounting of the MIDDLE Wing Assemblies, loosely secure a D-ring (Item 4) to the Drawer and Wing Assembly using a M6 x 20 Hex Bolt, M6 Spring Washer and M6 x 19 Flat Washer (Item 5, 6, 7) received with SSW0008 as shown.

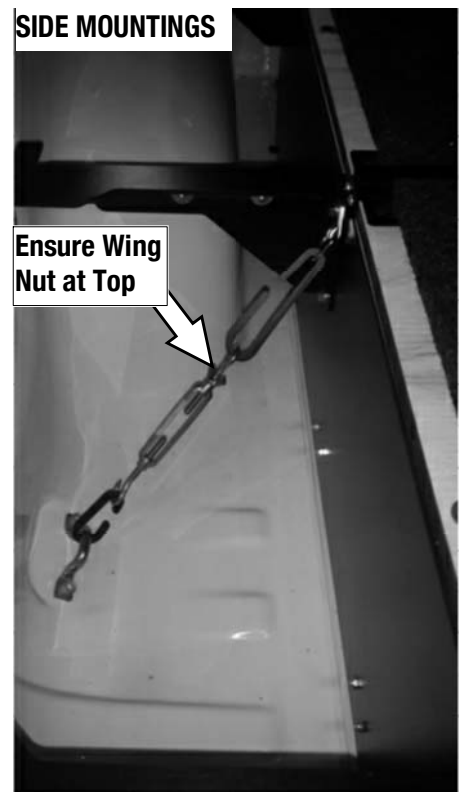
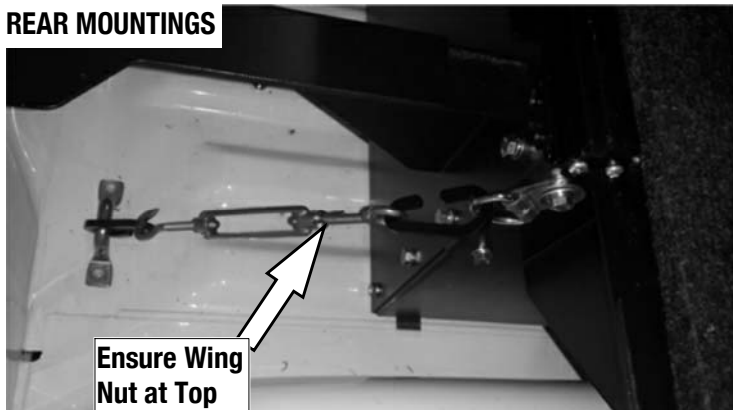


### 3 INSTALL DRAWER SYSTEM CONT...

- ( C ) Position the Corner Wing Assemblies from Step 2B over the corners of the Drawer as shown. Secure the Assemblies to the Drawer using the remaining M6 x 20 Hex Bolts, M6 x 19 Flat Washers and M6 Spring Washers. As in Step 3B, secure a D-Ring (Item 4) to each of the rear corners as shown.



- ( D ) Secure the Drawer System to the vehicle's tie down rings as shown. For the rear mountings use two 60mm C- hooks and a Turn Buckle (Items 2, 11). For the side mountings use one 115mm C-hook a Turn Buckle and one 60mm C-hook (Items 2, 32, 33). Ensure the Wing Nut, assembled to the Turn Buckle in Step 2C, goes towards the top of the Drawer System. When tightening the Turn Buckles ensure that the Drawer System remains centered left to right and 35 mm from the front. Once the Drawer is secure in position tighten the wing nuts on the Turn Buckles and the Bolts securing the D-rings to the Drawer System.

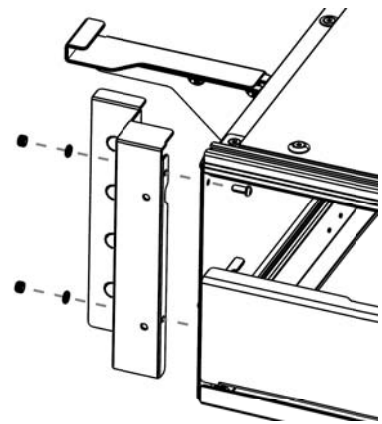


### 3 INSTALL DRAWER SYSTEM CONT...

- ( E ) Fit the Side and Rear Decks (Items 28, 29, 30, 31) into position, by "clipping" the outer edge of the Decks into the Wing Sliders (Items 24 & 26) and pushing the Decks towards the outside of the vehicle, thereby adjusting the Slider to the correct length. Once you are happy with the length of the Slider, carefully remove the Decks taking care not to move the Sliders and fasten the two bolts on each Slider, locking it into position.

- ( F ) Secure the center of the Rear Decks to the Rear Support (Item 23) using the two M6 x 25 Countersunk Bolts and two M6 Finishing Washers (Items 34 & 35).

- ( G ) Assemble the two Front Faces (Items 36, 37) to the side of the Drawer System using the four M6 x 16 Button Head Bolts, four M6 Flat Washers and four Nyloc Nuts (Items 38, 39, 40).



- ( H ) Congratulations, you have completed your installation. Take a step back and admire your work. Good Job!

