

**READ ME !**

Thank you for purchasing a Load Bed Cargo Slide Drop Down Table Bracket

Before you start, take a moment to familiarize yourself with the Fitting Instructions and the included components.

Refer to Page 2 for a list of all the components, quantities and tools required.

**IMPORTANT WARNING! ⚠**

IT IS CRITICAL THAT ALL FRONT RUNNER PRODUCTS BE PROPERLY AND SECURELY ASSEMBLED AND ATTACHED TO YOUR VEHICLE. IMPROPER ATTACHMENT COULD RESULT IN AN AUTOMOBILE ACCIDENT, AND COULD CAUSE SERIOUS BODILY INJURY OR DEATH. YOU ARE RESPONSIBLE FOR ASSEMBLING AND SECURING ALL FRONT RUNNER PRODUCTS TO YOUR VEHICLE, CHECKING THE ATTACHMENTS PRIOR TO USE, AND PERIODICALLY INSPECTING THE PRODUCTS FOR ADJUSTMENT, WEAR AND DAMAGE. THEREFORE, YOU MUST READ AND UNDERSTAND ALL OF THE INSTRUCTIONS AND PRECAUTIONS SUPPLIED WITH YOUR FRONT RUNNER PRODUCT PRIOR TO INSTALLATION OR USE. IF YOU DO NOT UNDERSTAND ALL OF THE INSTRUCTIONS AND CAUTIONS, OR IF YOU HAVE NO MECHANICAL EXPERIENCE AND ARE NOT THOROUGHLY FAMILIAR WITH THE INSTALLATION PROCEDURES, YOU SHOULD HAVE THE PRODUCT INSTALLED BY A PROFESSIONAL INSTALLER OR OTHER QUALIFIED PERSONNEL.

**NOTE:** Front Runner will not be responsible for any damage caused by the failure to install the product according to these instructions.

Please call us if you have any questions about the installation of this product.

# 1

## GET ORGANIZED

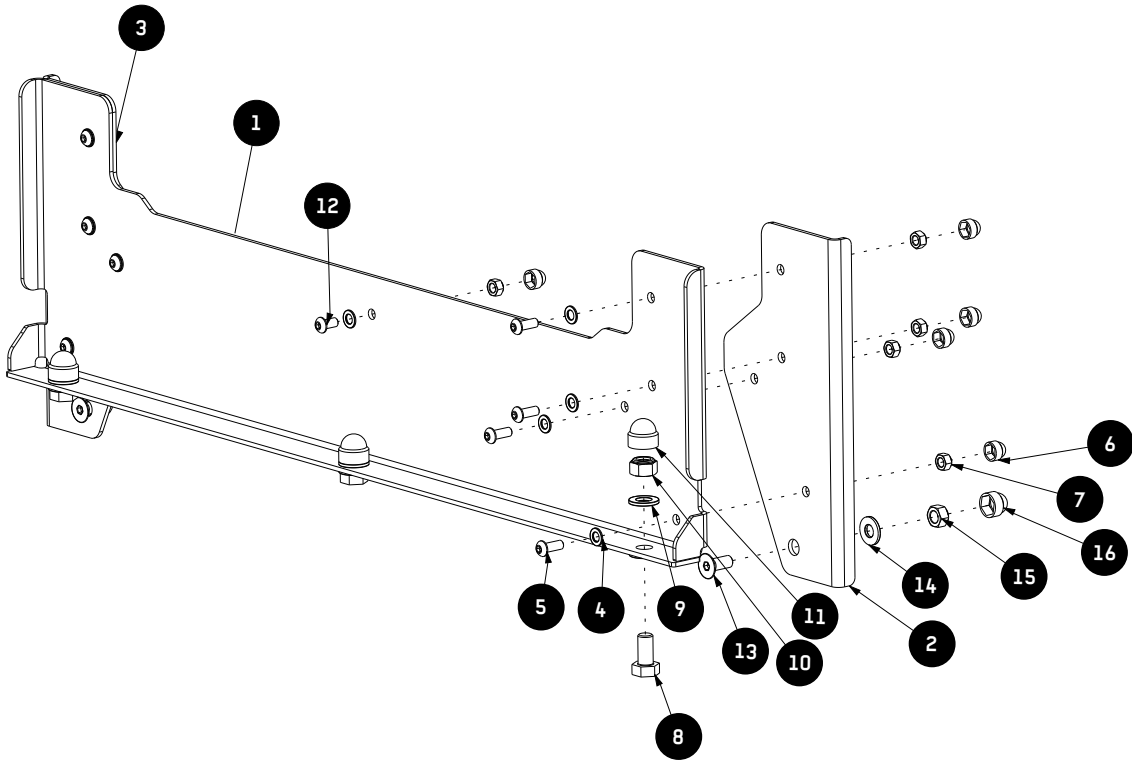
### IN THE BOX

1	1 X	Top Bracket
2	1 X	Stiffener Bracket LH
3	1 X	Stiffener Bracket RH
4	9 X	M6 x 12 x 1 Flat Washer
5	8 X	M6 x 16 Button Head Screw
6	9 X	M6 Nut Cap
7	9 X	M6 Nyloc Nut
8	3 X	M10 x 25 Hex Bolt
9	6 X	M10 Flat Washer
10	3 X	M10 Nyloc Nut
11	3 X	M10 Nut Cap
12	1 X	M6 x 12 Button Head Screw
13	2 X	M8 x 20 Countersink Screw
14	2 X	M8 x 19 x 2 Flat Washer
15	2 X	M8 Nyloc Nut
16	2 X	M8 Nut Cap

### TOOLS NEEDED



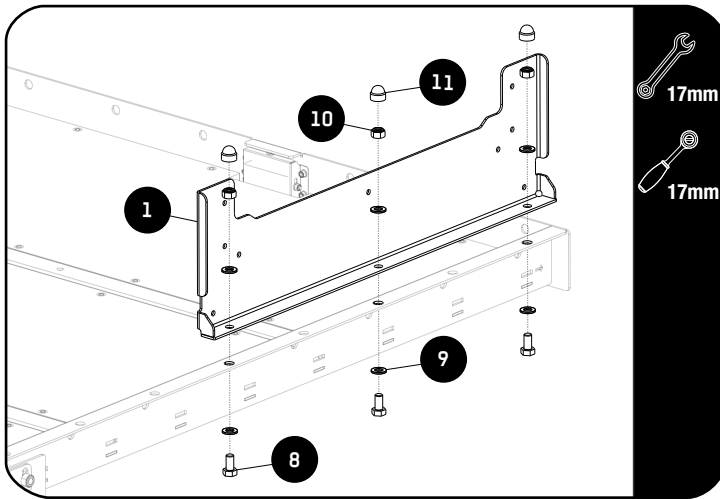
FIGURE 1.1



2

**FIT AND SECURE**

2.1



With the Slide in the open position, decide on which side you would like to mount the Drop down Table Bracket.

Place the Top Bracket (Item 1) onto the side of the bakkie slide lining up the bottom mounting holes with the slide. Using the M10 x 25 Hex Bolt, M10 Flat Washer and M10 Nyloc Nut (Item 8 ,9 &10) and assemble the Top bracket to the slide as shown.

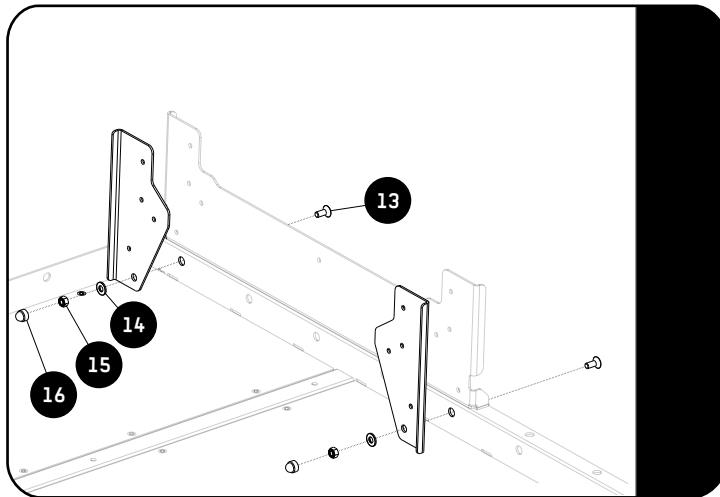
Fully Tighten.



**Tightening Torque:**

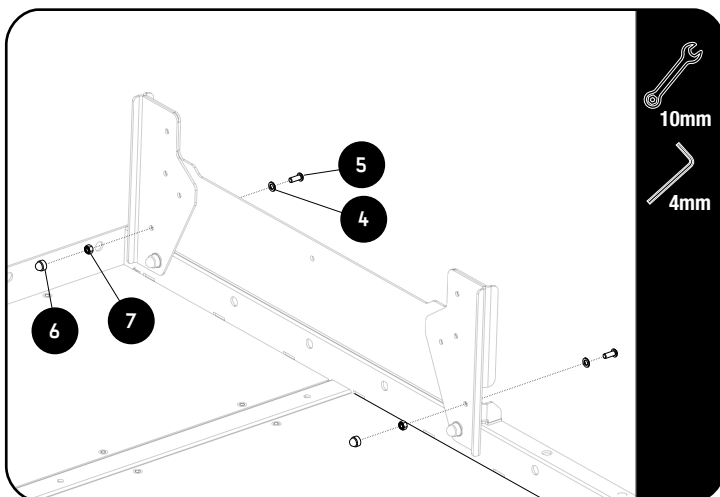
M10 : 45-50Nm/ 33.19 ft lb - 36.87 ft lb

2.2



Assemble the stiffener brackets the the Top bracket fitted in 2.1, using M8 x 20 Counter-sink screw, M8 x 19 x 2 Flat washer and M8 Nyloc nut (Iten 13,14 & 15) as shown do not fully tighten at this point.

2.3



Assemble two M6 x 16 Button Head screws (Item 5) as shown together with two M6 x 12 x 1 Flat Washers and two M6 Nyloc Nuts (Item 4 & 7).

Fully Tighten and place the M6 Nut caps (Item 6) over the M6 Nyloc Nuts.

Place the M10 Nut caps (Item 11) over the M10 Nyloc Nuts fitted in 2.2



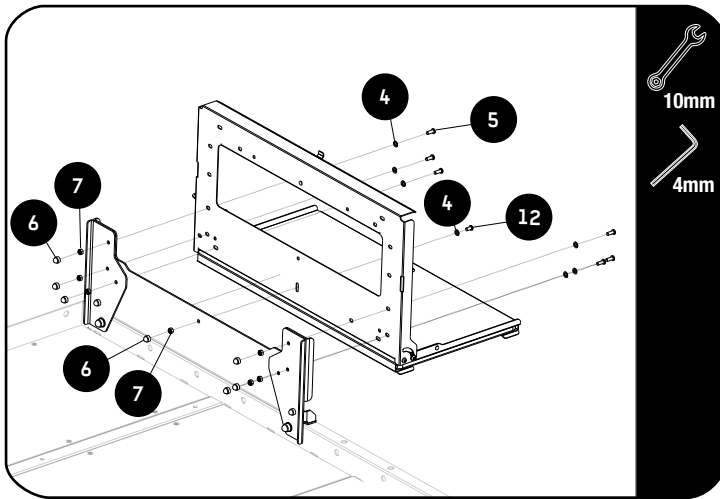
**Tightening Torque:**

M6 : 8-10Nm / 5.9 ft lb - 7.38 ft lb

## 2

## FIT AND SECURE

2.4



Align TBRA034 (not included) mounting holes with backing plate mounting holes and secure using M6 x 16 Button Head screws, M6 x 12 x 1 Flat washers and M6 Nyloc Nuts (Item 4,5 & 7) as shown.

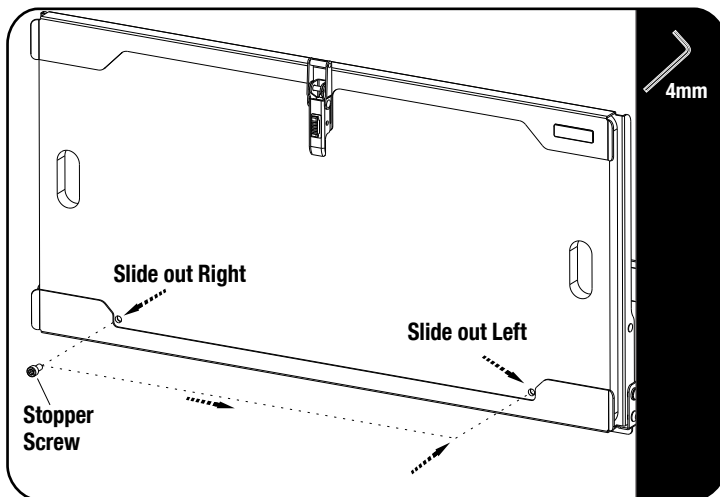
Assemble M6 x 12 Button Head screw, M6 x 12 x 1 Flat washer and M6 Nyloc Nut (Item 12,4 & 7) to the middle of the mounting bracket as shown.



### Tightening Torque:

M6 : 8-10Nm / 5.9 ft lb - 7.38 ft lb

2.5



If you would like the Board to slide out left or right you will need to reposition the Stopper Screw. Do this by removing it from the Right side of the Sliding Board and refitting it on the Left side as shown. Retighten the stopper screw.

## 3

## FINISH

Congratulations! You did it. Take a step back and admire your work!

## 4

## INSTALL OTHER VEHICLE AND RACK ACCESSORIES

Now's the time to visit your favorite Front Runner Dealer in person or online.

Be sure to tag us. We love to see our gear in action! #FrontRunnerOutfitters #BornToRoam

Share your adventures on: 