

START HERE!

READ ME FIRST

Don't be a hero and muscle through this installation without reading these fitting instructions first! Improper installation of this gear may void certain aspects of your warranty.

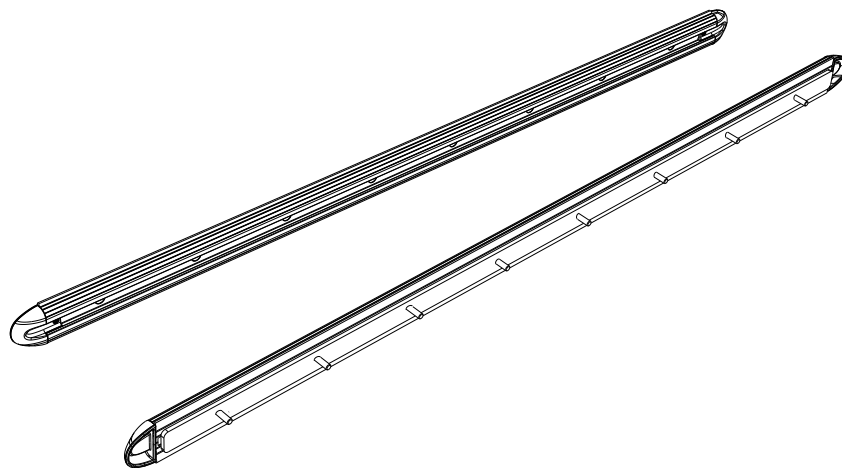
Before you begin, take a moment and open all your Front Runner rack kit boxes and gather the assembly instructions for the various components.

A complete kit will contain:

1. A Front Runner Mounting System specific to your vehicle
2. A Front Runner Rack Tray or Load Bar Slats

This document will guide you through the assembly of the mounting system and assist you in fitting the roof rack tray or load bars to your specific vehicle.

Please refer to the next page for a list of all the components, quantities and tools required.



IMPORTANT WARNING! ⚠

IT IS CRITICAL THAT ALL FRONT RUNNER PRODUCTS BE PROPERLY AND SECURELY ASSEMBLED AND ATTACHED TO YOUR VEHICLE. IMPROPER ATTACHMENT COULD RESULT IN AN AUTOMOBILE ACCIDENT, AND COULD CAUSE SERIOUS BODILY INJURY OR DEATH. YOU ARE RESPONSIBLE FOR ASSEMBLING AND SECURING ALL FRONT RUNNER PRODUCTS TO YOUR VEHICLE, CHECKING THE ATTACHMENTS PRIOR TO USE, AND PERIODICALLY INSPECTING THE PRODUCTS FOR ADJUSTMENT, WEAR AND DAMAGE. THEREFORE, YOU MUST READ AND UNDERSTAND ALL OF THE INSTRUCTIONS AND PRECAUTIONS SUPPLIED WITH YOUR FRONT RUNNER PRODUCT PRIOR TO INSTALLATION OR USE. IF YOU DO NOT UNDERSTAND ALL OF THE INSTRUCTIONS AND CAUTIONS, OR IF YOU HAVE NO MECHANICAL EXPERIENCE AND ARE NOT THOROUGHLY FAMILIAR WITH THE INSTALLATION PROCEDURES, YOU SHOULD HAVE THE PRODUCT INSTALLED BY A PROFESSIONAL INSTALLER OR OTHER QUALIFIED PERSONNEL.

NOTE: Front Runner will not be responsible for any damage caused by the failure to install the product according to these instructions.

Please call us if you have any questions about the installation of this product.

1

GET ORGANIZED

IN THE BOX

1	2 X	Track
2	2 X	Track Rubber
3	2 X	Mount Plate
4	16 X	M6 x 25 countersink Screw
5	16 X	M6 x 19 x 1SS Flat Washer
6	16 X	M6 Nyloc Nuts
7	2 X	Track End
8	4 X	M2,9 x 6.6 Self Tapping Screw

TOOLS NEEDED

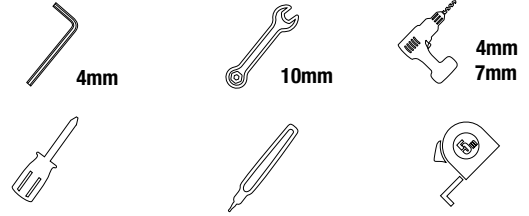
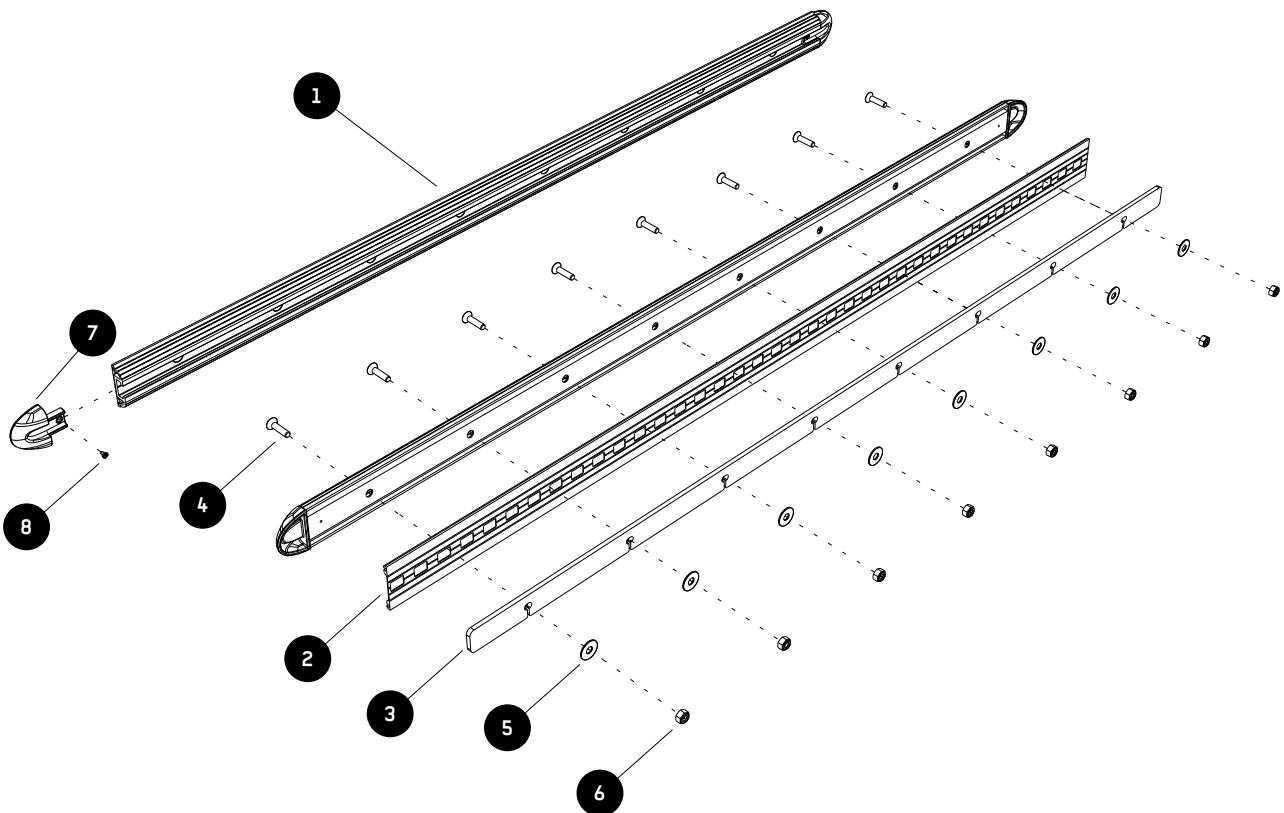


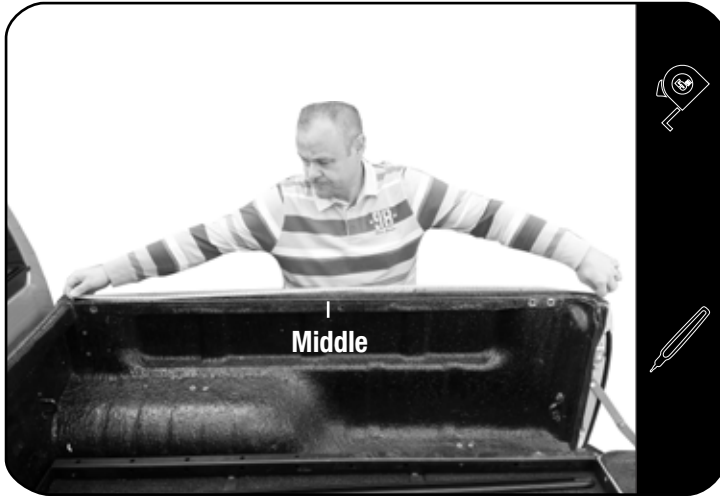
FIGURE 1.1



2

FIT AND SECURE

2.1



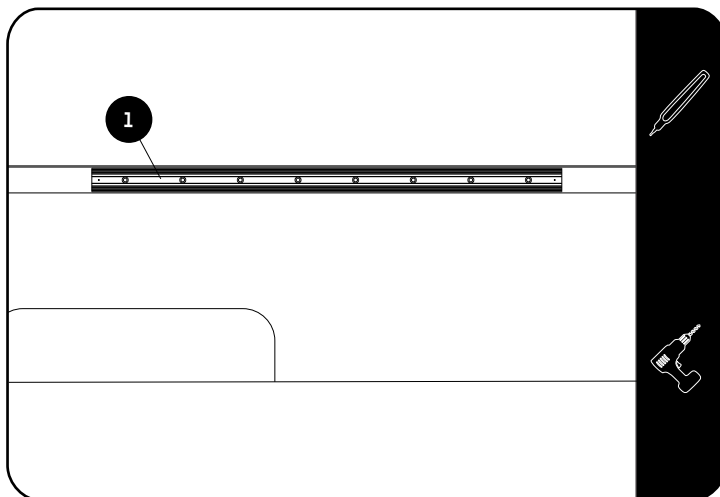
Measure the length of the load bin from the back of the cabin, below the rear window to the start of the tail gate.

Using a marking pen, mark the middle point on the side wall inside the bin.

Measure 75.5mm either side of the center mark you have made.



2.2



Position the Track (Item 1) against the side wall of the load bin, aligning the two center holes in the Track with the two 75.5mm markings made in 2.1.

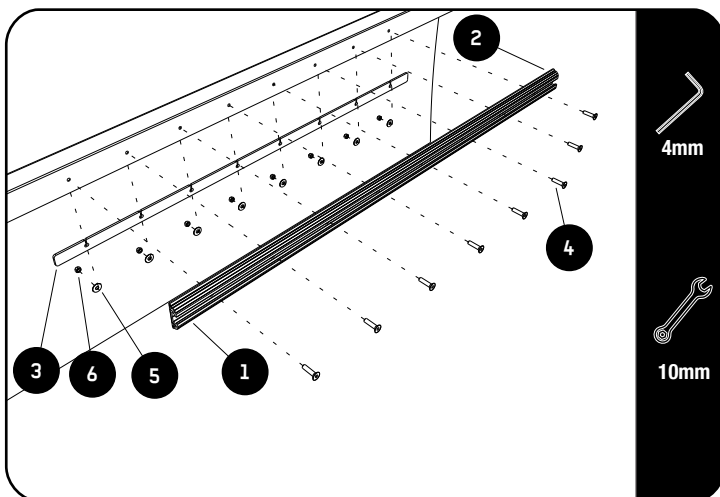
Ensure that the Track is sitting Flush with the top of the load bin.

Mark the position of all eight holes in the Track onto the load bin.

Remove the Track and drill 4mm pilot holes on all the marks. Open the holes to 7mm.



2.3



Ensure that the Track Rubber (Item 2) is fitted to both the Tracks.

Position each Track, aligning the holes in the Track with the holes from 2.2.

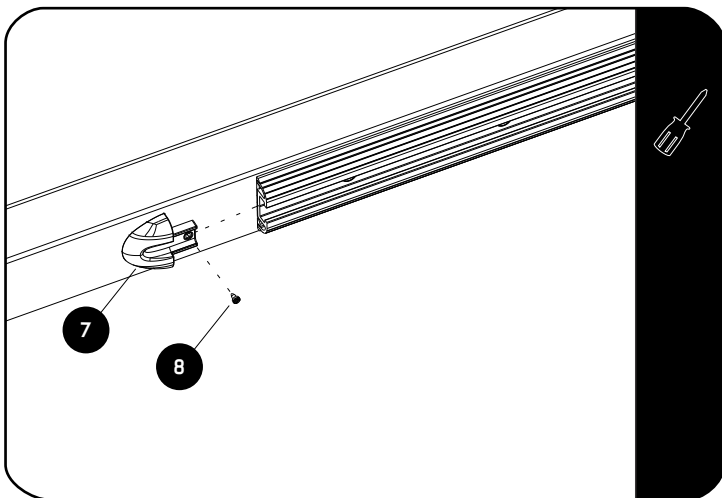
Secure the Track and and Mount Plate (Items 1 & 3) to the load bin using M6 x 25 Countersink Screws, M6 x 19 x 1SS Flat Washers and M6 Nyloc Nuts (Item 4, 5 & 6) as shown.

Fully tighten all screws.



2 FIT AND SECURE

2.4



Secure the End Cap (Item 7) to the Track using M2,9 x 6,6 Self Tapping Screws (Item 8) as shown.

Do this on both ends of the Tracks.

3 COMPLETION

3.1

Congratulations! You did it. Take a step back and admire your work!



4 INSTALL OTHER VEHICLE AND RACK ACCESSORIES

Now's the time to visit your favorite Front Runner Dealer in person or online.

IMPORTANT!

FRONT RUNNER RACK KITS OFTEN HAVE A HIGHER LOAD RATING THAN THE VEHICLES THEY ARE MOUNTED TO. PLEASE REFER TO YOUR SPECIFIC VEHICLE MANUFACTURER FOR A RECOMMENDED ROOF RATING. FRONT RUNNER CANNOT BE RESPONSIBLE FOR IMPROPER LOADING BEYOND THE VEHICLE MANUFACTURER'S STATED LOAD CAPACITY.

Be sure to tag us. We love to see our gear in action! #FrontRunnerOutfitters #BornToRoam

Share your adventures on: 