

START HERE!

READ ME FIRST

Don't be a hero and muscle through this installation without reading these fitting instructions first! Improper installation of this gear may void certain aspects of your warranty.

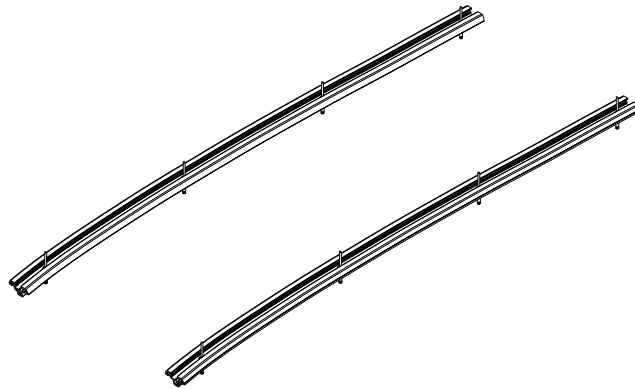
Before you begin, take a moment and open all your Front Runner rack kit boxes and gather the assembly instructions for the various components.

A complete kit will contain:

1. A Front Runner Mounting System specific to your vehicle
2. A Front Runner Rack Tray or Load Bar Slats

This document will guide you through the assembly of the mounting system and assist you in fitting the roof rack tray or load bars to your specific vehicle.

Please refer to the next page for a list of all the components, quantities and tools required.



IMPORTANT WARNING!

IT IS CRITICAL THAT ALL FRONT RUNNER PRODUCTS BE PROPERLY AND SECURELY ASSEMBLED AND ATTACHED TO YOUR VEHICLE. IMPROPER ATTACHMENT COULD RESULT IN AN AUTOMOBILE ACCIDENT, AND COULD CAUSE SERIOUS BODILY INJURY OR DEATH. YOU ARE RESPONSIBLE FOR ASSEMBLING AND SECURING ALL FRONT RUNNER PRODUCTS TO YOUR VEHICLE, CHECKING THE ATTACHMENTS PRIOR TO USE, AND PERIODICALLY INSPECTING THE PRODUCTS FOR ADJUSTMENT, WEAR AND DAMAGE. THEREFORE, YOU MUST READ AND UNDERSTAND ALL OF THE INSTRUCTIONS AND PRECAUTIONS SUPPLIED WITH YOUR FRONT RUNNER PRODUCT PRIOR TO INSTALLATION OR USE. IF YOU DO NOT UNDERSTAND ALL OF THE INSTRUCTIONS AND CAUTIONS, OR IF YOU HAVE NO MECHANICAL EXPERIENCE AND ARE NOT THOROUGHLY FAMILIAR WITH THE INSTALLATION PROCEDURES, YOU SHOULD HAVE THE PRODUCT INSTALLED BY A PROFESSIONAL INSTALLER OR OTHER QUALIFIED PERSONNEL.

NOTE: Front Runner will not be responsible for any damage caused by the failure to install the product according to these instructions.

Please call us if you have any questions about the installation of this product.

1

GET ORGANIZED

IN THE BOX

1	2 X	Track - 1020mm Long (1 Left & 1 Right)
2	10 X	M4.8 x 25 SS Pop Rivet
3	2 X	Foam Strip

TOOLS NEEDED

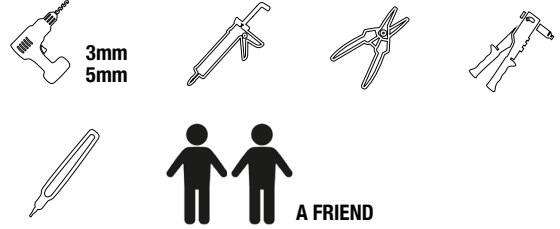
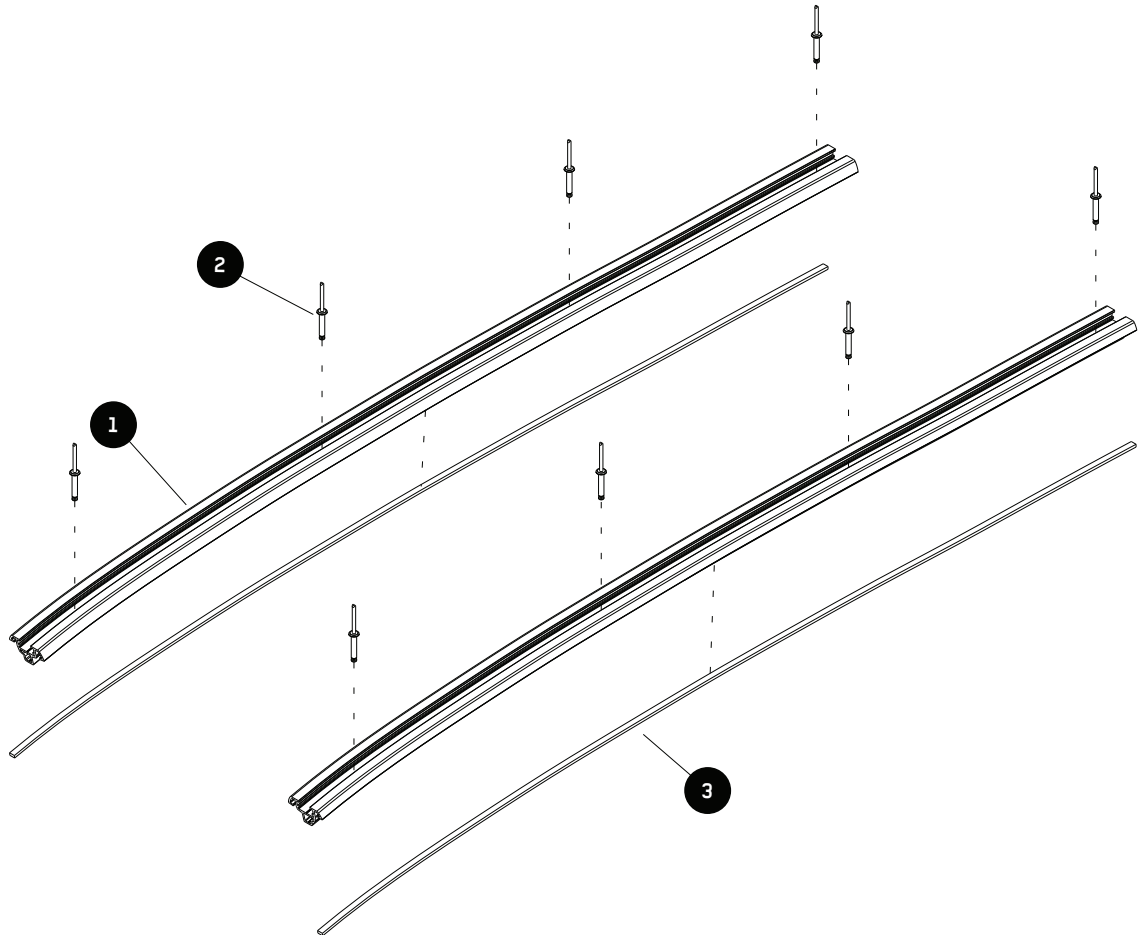


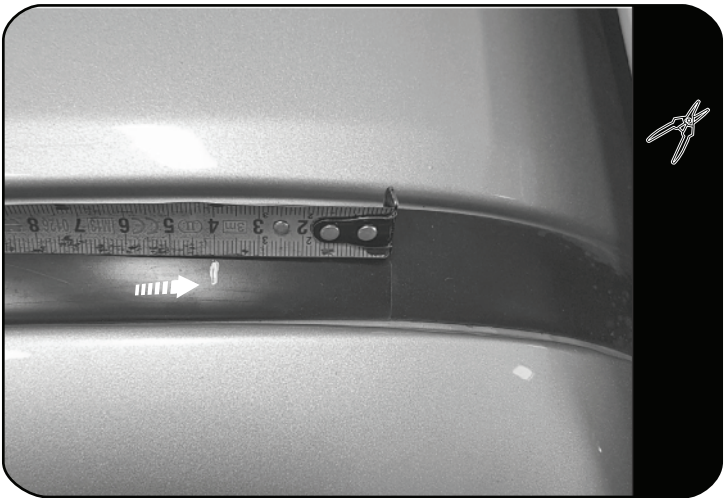
FIGURE 1.1



2

FIT AND SECURE

2.1



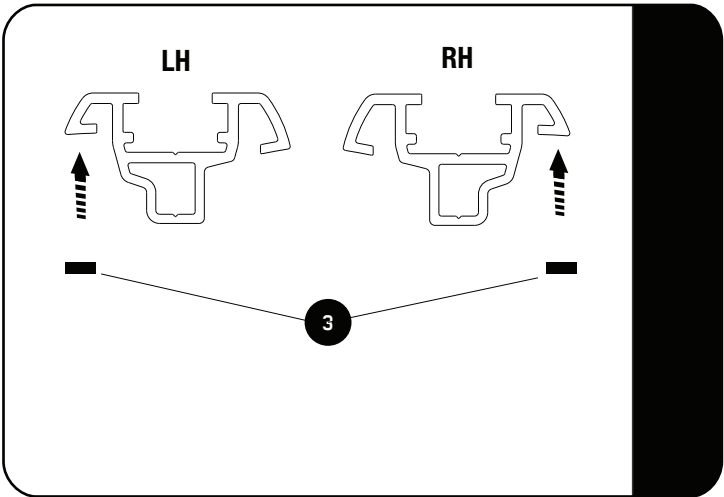
Looking at the rear of the ditch molding, measure 40mm from the joint line and make a mark.
Cut the ditch molding across the mark made.

2.2



Looking at the front of the ditch moulding, measure 100mm from the front and make a mark.
Cut the ditch moulding across the mark made and remove the ditch moulding.

2.3



Fit the Foam Strips (Item 3) by removing the double sided tape and applying them to the outside profile edge of each of the Tracks as shown in 2.3.

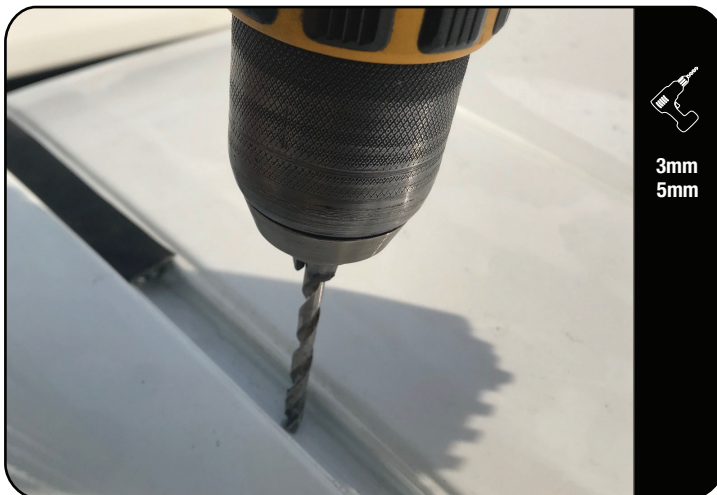
2.4



Place the LH Track into the LH ditch and RH Track into the RH Ditch. Insuring they fully seated.

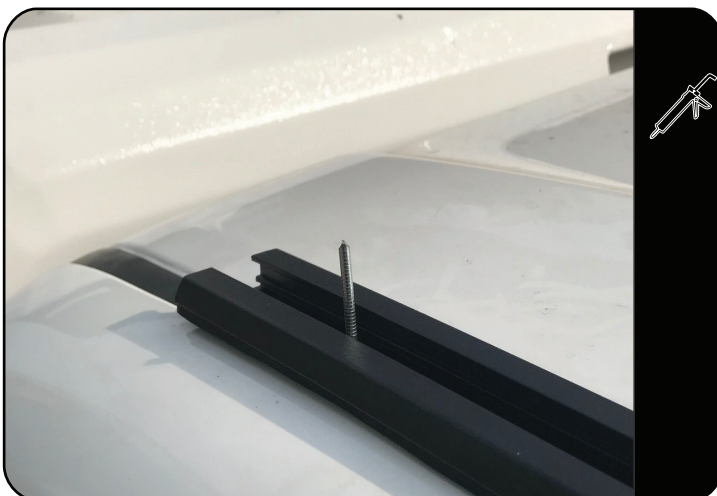
Mark all five hole positions in each of the Tracks onto the ditch using a marker.

2.5



Remove the Tracks and drill a 3mm pilot hole using the markings you have made. Open the holes using a 5mm drill bit.

2.6



Place Silicone sealant in and around each of the holes drilled.


Place the Tracks back, lining it up with all the holes. Insert all five Pop Rivets (Item 2) into the Track (Item 1) to prevent it moving.

2

FIT AND SECURE

2.7



 Rivet the Tracks (Item 1) into position, the tracks must be fully seated to insure a good fixing while riveting, have a friend help if needed.

 There are two extra Rivets (Item 1) if needed.

3

COMPLETION

3.1

Congratulations! You did it. Take a step back and admire your work!



4

INSTALL OTHER VEHICLE AND RACK ACCESSORIES

Now's the time to visit your favorite Front Runner Dealer in person or online.

IMPORTANT!

FRONT RUNNER RACK KITS OFTEN HAVE A HIGHER LOAD RATING THAN THE VEHICLES THEY ARE MOUNTED TO. PLEASE REFER TO YOUR SPECIFIC VEHICLE MANUFACTURER FOR A RECOMMENDED ROOF RATING. FRONT RUNNER CANNOT BE RESPONSIBLE FOR IMPROPER LOADING BEYOND THE VEHICLE MANUFACTURER'S STATED LOAD CAPACITY.

Be sure to tag us. We love to see our gear in action! #FrontRunnerOutfitters #BornToRoam

Share your adventures on: 