**READ ME!**

Thank you for purchasing a Front Runner Toyota Revo Extra Cab (2016-Current) Tracks / 1023mm.

Before you start, take a moment to familiarize yourself with the Fitting Instructions and the included components.

Refer to Page 2 for a list of all the components, quantities and tools required.

IMPORTANT WARNING!

IT IS CRITICAL THAT ALL FRONT RUNNER PRODUCTS BE PROPERLY AND SECURELY ASSEMBLED AND ATTACHED TO YOUR VEHICLE. IMPROPER ATTACHMENT COULD RESULT IN AN AUTOMOBILE ACCIDENT, AND COULD CAUSE SERIOUS BODILY INJURY OR DEATH. YOU ARE RESPONSIBLE FOR ASSEMBLING AND SECURING ALL FRONT RUNNER PRODUCTS TO YOUR VEHICLE, CHECKING THE ATTACHMENTS PRIOR TO USE, AND PERIODICALLY INSPECTING THE PRODUCTS FOR ADJUSTMENT, WEAR AND DAMAGE. THEREFORE, YOU MUST READ AND UNDERSTAND ALL OF THE INSTRUCTIONS AND PRECAUTIONS SUPPLIED WITH YOUR FRONT RUNNER PRODUCT PRIOR TO INSTALLATION OR USE. IF YOU DO NOT UNDERSTAND ALL OF THE INSTRUCTIONS AND CAUTIONS, OR IF YOU HAVE NO MECHANICAL EXPERIENCE AND ARE NOT THOROUGHLY FAMILIAR WITH THE INSTALLATION PROCEDURES, YOU SHOULD HAVE THE PRODUCT INSTALLED BY A PROFESSIONAL INSTALLER OR OTHER QUALIFIED PERSONNEL.

NOTE: Front Runner will not be responsible for any damage caused by the failure to install the product according to these instructions.

Please call us if you have any questions about the installation of this product.



1 GET ORGANIZED

IN THE BOX

1	2 X	Track - 1020mm Long (1 Left & 1 Right)
2	2 X	Foam Strip
3	6 X	M6 x 30 Button Head Bolt
4	6 X	M6 Nyloc Nut
5	6 X	M6 x 19 x 1 Flat Washer

TOOLS NEEDED

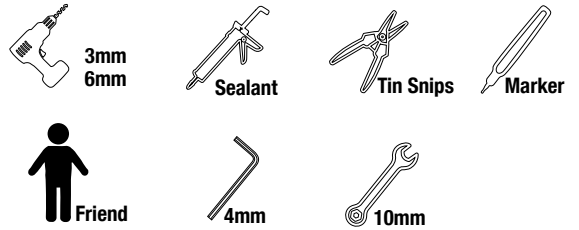


FIGURE 1.1



2.1



Drop the vehicle's roof lining.



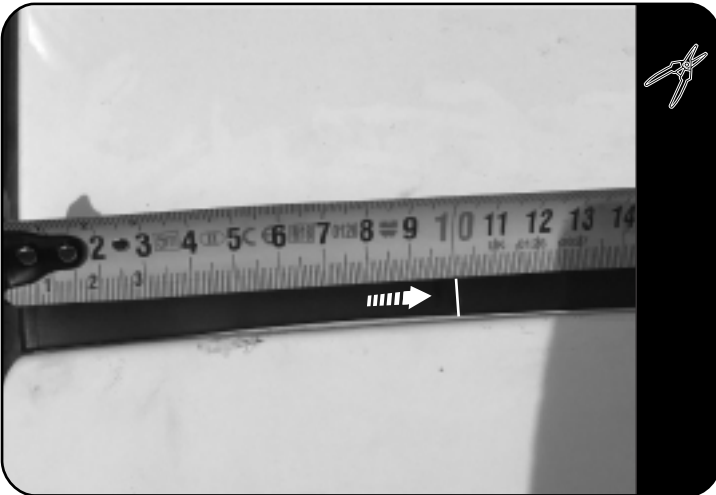
Look online for videos to assist.

2.2



Looking at the rear of the ditch molding, measure 40mm forward from the joint line and make a mark.
Cut the ditch molding across the mark made.

2.3

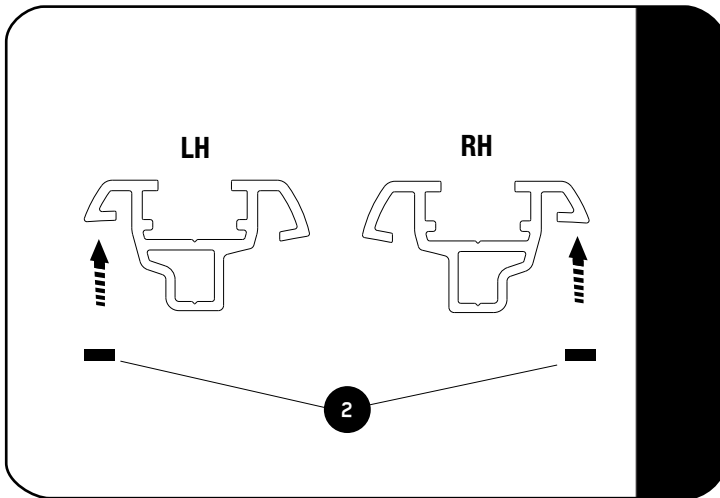


Looking at the front of the ditch molding, measure 100mm backward from the front make a mark.
Cut the ditch molding across the mark made and remove the middle section.

2

FIT AND SECURE

2.4



Fit the Foam Strips (Item 2) by removing the backing tape and apply them to the outside profile edge of each of the Tracks as shown in 2.3.

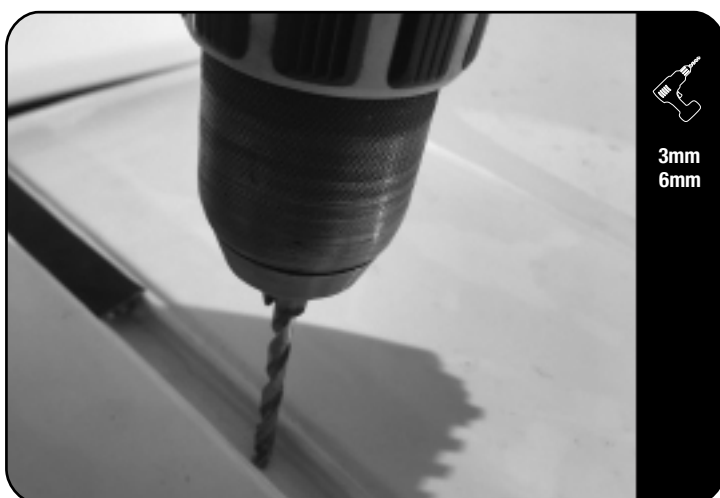
2.5



Place the LH Track into the LH ditch and RH Track into the RH ditch. Ensuring they fully seated.

Mark all the hole positions in each of the Tracks onto the ditch using a marker.

2.6



Before drilling the holes in the roof, you need to do a bit of prep. Take both the 3mm and 6mm drill bits. Using a suitable tape, wrap a band of tape around the drill bit to act as a guide / stopper to prevent you from drilling too deep as there are airbags located below where you will be drilling.

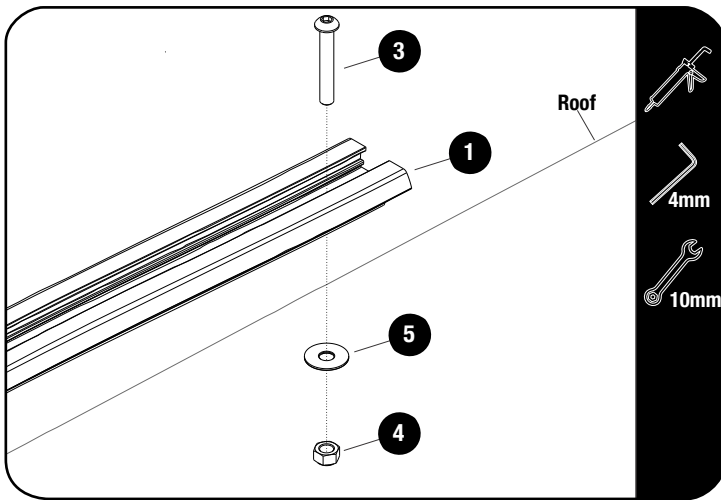


Remove the Tracks and drill a 3mm pilot hole using the markings you have made. Widen the holes using a 6mm drill bit.

2

FIT AND SECURE

2.7



Place sealant in and around each of the holes drilled.

Place the Tracks back, lining them up with all the holes. Secure the Tracks (Item 1) using M6 x 30 Button Head Bolts, M6 x 19 x 1 Flat Washers and M6 Nyloc Nuts (Items 3, 4 & 5).

3

COMPLETION

3.1

Congratulations! You did it. Take a step back and admire your work!



4

INSTALL OTHER VEHICLE AND RACK ACCESSORIES

Now's the time to visit your favorite Front Runner dealer in person or online.

IMPORTANT!

FRONT RUNNER RACK KITS OFTEN HAVE A HIGHER LOAD RATING THAN THE VEHICLES THEY ARE MOUNTED TO. PLEASE REFER TO YOUR SPECIFIC VEHICLE MANUFACTURER FOR A RECOMMENDED ROOF RATING. FRONT RUNNER CANNOT BE RESPONSIBLE FOR IMPROPER LOADING BEYOND THE VEHICLE MANUFACTURER'S STATED LOAD CAPACITY.

Be sure to tag us. We love to see our gear in action! #FrontRunnerOutfitters #BornToRoam

Share your adventures on: 