**READ ME !** 

Thank you for purchasing a Front Runner Suzuki Jimny Internal Cargo Tray.

Before you start, take a moment to familiarize yourself with the Fitting Instructions and the included components.

Refer to Page 2 for a list of all the components, quantities and tools required.

IMPORTANT WARNING! 

IT IS CRITICAL THAT ALL FRONT RUNNER PRODUCTS BE PROPERLY AND SECURELY ASSEMBLED AND ATTACHED TO YOUR VEHICLE. IMPROPER ATTACHMENT COULD RESULT IN AN AUTOMOBILE ACCIDENT, AND COULD CAUSE SERIOUS BODILY INJURY OR DEATH. YOU ARE RESPONSIBLE FOR ASSEMBLING AND SECURING ALL FRONT RUNNER PRODUCTS TO YOUR VEHICLE, CHECKING THE ATTACHMENTS PRIOR TO USE, AND PERIODICALLY INSPECTING THE PRODUCTS FOR ADJUSTMENT, WEAR AND DAMAGE. THEREFORE, YOU MUST READ AND UNDERSTAND ALL OF THE INSTRUCTIONS AND PRECAUTIONS SUPPLIED WITH YOUR FRONT RUNNER PRODUCT PRIOR TO INSTALLATION OR USE. IF YOU DO NOT UNDERSTAND ALL OF THE INSTRUCTIONS AND CAUTIONS, OR IF YOU HAVE NO MECHANICAL EXPERIENCE AND ARE NOT THOROUGHLY FAMILIAR WITH THE INSTALLATION PROCEDURES, YOU SHOULD HAVE THE PRODUCT INSTALLED BY A PROFESSIONAL INSTALLER OR OTHER QUALIFIED PERSONNEL.

NOTE: Front Runner will not be responsible for any damage caused by the failure to install the product according to these instructions.

Please call us if you have any questions about the installation of this product.



1 GET ORGANIZED

IN THE BOX

1	1 X	Internal Cargo Tray
2	2 X	Side Brackets
3	6 X	M6 X 12 Button Head Bolt
4	6 X	M6 X 12 X 1 Flat Washer
5	4 X	M6 X 16 Button Head Bolt
6	4 X	M6 X 19 X 1 Flat Washer
7	2 X	Short Molle Panel Straps
8	2 X	Long Molle Panel Straps

TOOLS NEEDED

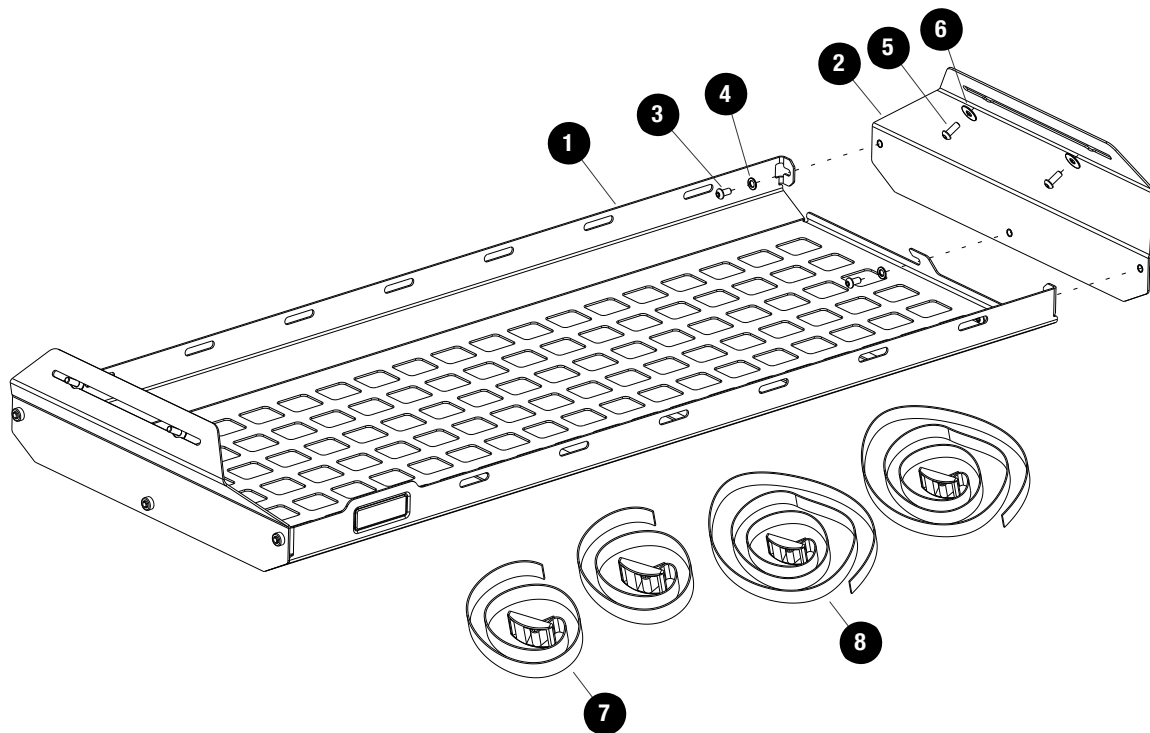


Phillips



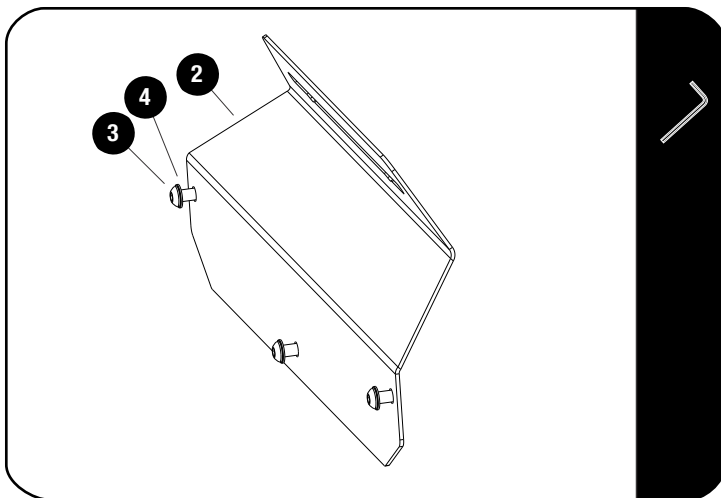
4mm

FIGURE 1.1



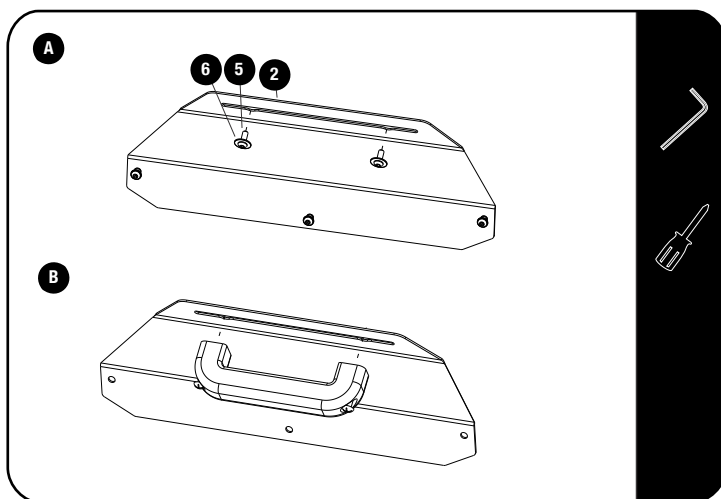
2**FIT AND SECURE**

2.1



Insert the M6 x 12 button head bolts (Item 3) and M6 x 12 x 1 Flat washers (Item 4) into the side brackets (Item 2) as shown but do not thread all the way.

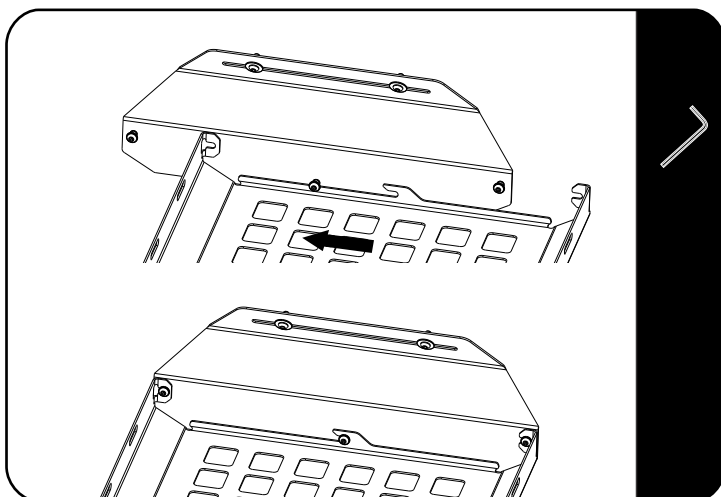
2.2



Remove the rear grab handles in the vehicle by removing two mounting screws. Fit the side brackets (Item 2) using the grab handle mounting points. The side brackets can either be fitted using the M6x16 Button Head Bolts (Item 5) and the M6 x19 x 1 Flat Washers (Item 6) as seen in Fig 2.2A, or it can be mounted by refitting the grab handle as seen in Fig 2.2B.

The slot in the side brackets allows for adjustment of the tray towards the front or rear of the vehicle. Use the indication markers on the side bracket as reference points to ensure that the left and right hand brackets are aligned.

2.3



With the Front Runner sticker facing the rear of the vehicle, align the mounting slots on the Internal Cargo Tray (Item 1) with the M6x12 Button Head Bolts and slide the tray into position as seen in Fig 2.3.

Tighten the M6x12 Button Head Bolts.

3

FINISH

Congratulations! You did it. Take a step back and admire your work!

4

INSTALL OTHER VEHICLE AND RACK ACCESSORIES

Now's the time to visit your favorite Front Runner Dealer in person or online.

Be sure to tag us. We love to see our gear in action! #FrontRunnerOutfitters #BornToRoam

Share your adventures on: 