

## READ ME!

Thank you for purchasing a Front Runner Suzuki Jimny Back Plate.  
Before you start, take a moment to familiarize yourself with the Fitting Instructions and the included components.  
Refer to Page 2 for a list of all the components, quantities and tools required.

## IMPORTANT WARNING!

IT IS CRITICAL THAT ALL FRONT RUNNER PRODUCTS BE PROPERLY AND SECURELY ASSEMBLED AND ATTACHED TO YOUR VEHICLE. IMPROPER ATTACHMENT COULD RESULT IN AN AUTOMOBILE ACCIDENT, AND COULD CAUSE SERIOUS BODILY INJURY OR DEATH. YOU ARE RESPONSIBLE FOR ASSEMBLING AND SECURING ALL FRONT RUNNER PRODUCTS TO YOUR VEHICLE, CHECKING THE ATTACHMENTS PRIOR TO USE, AND PERIODICALLY INSPECTING THE PRODUCTS FOR ADJUSTMENT, WEAR AND DAMAGE. THEREFORE, YOU MUST READ AND UNDERSTAND ALL OF THE INSTRUCTIONS AND PRECAUTIONS SUPPLIED WITH YOUR FRONT RUNNER PRODUCT PRIOR TO INSTALLATION OR USE. IF YOU DO NOT UNDERSTAND ALL OF THE INSTRUCTIONS AND CAUTIONS, OR IF YOU HAVE NO MECHANICAL EXPERIENCE AND ARE NOT THOROUGHLY FAMILIAR WITH THE INSTALLATION PROCEDURES, YOU SHOULD HAVE THE PRODUCT INSTALLED BY A PROFESSIONAL INSTALLER OR OTHER QUALIFIED PERSONNEL.

**NOTE:** Front Runner will not be responsible for any damage caused by the failure to install the product according to these instructions.  
Please call us if you have any questions about the installation of this product.



# 1 GET ORGANIZED

## IN THE BOX

1	1 X	Door Card Assembly
2	4 X	Spacer (19 x 12.58 x 10)
3	4 X	M6 Anti-Loss Washer
4	8 X	M6 Jack Nut
5	4 X	M6 x 20 Button Head Bolt
6	6 X	M6 x 25 Button Head Bolt
7	1 X	Jack Nut Tool
8	1 X	M6 x 12 x 1 Flat Washer
9	6 X	M6 Nyloc Nut
10	6 X	M6 Nut Cap
11	1 X	Rubber strip - 1000mm Long

## TOOLS NEEDED

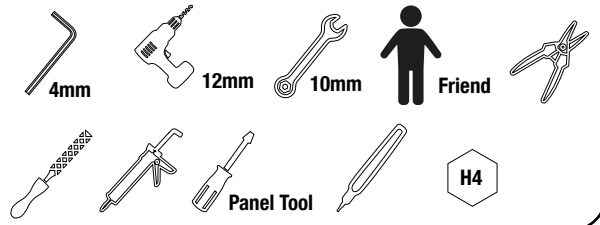
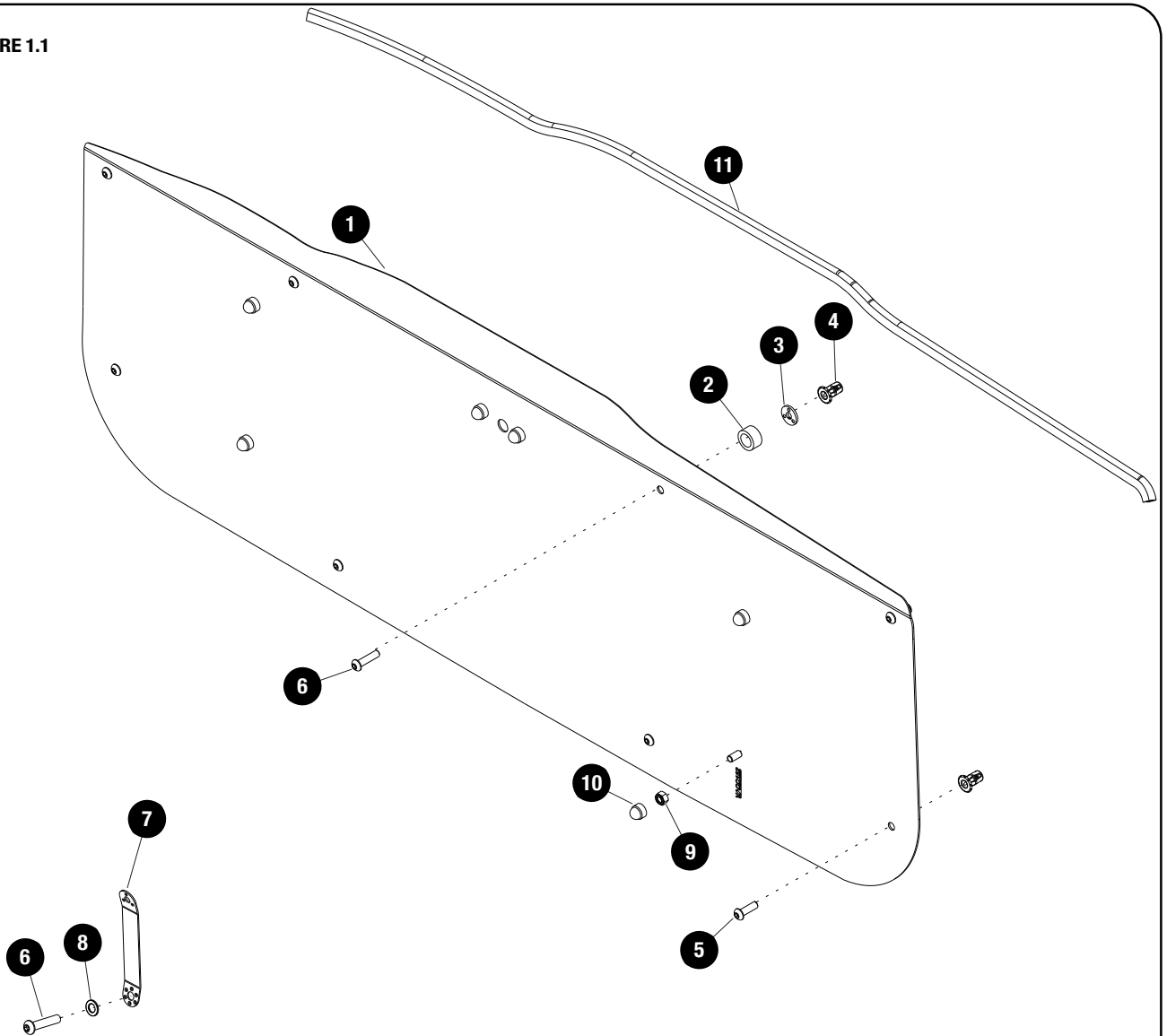


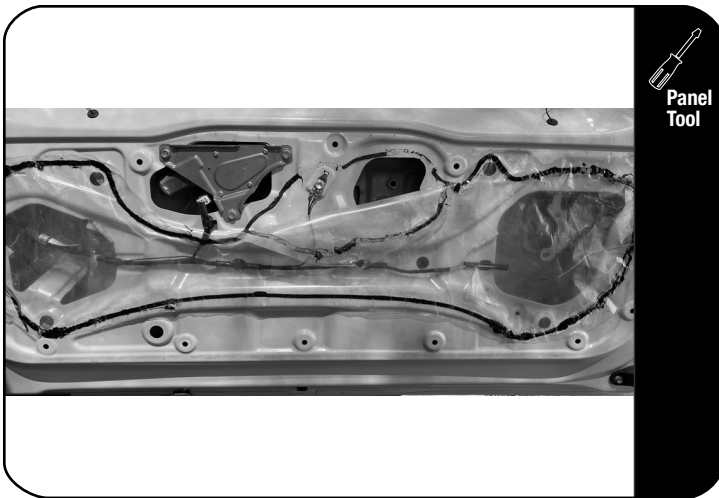
FIGURE 1.1



2

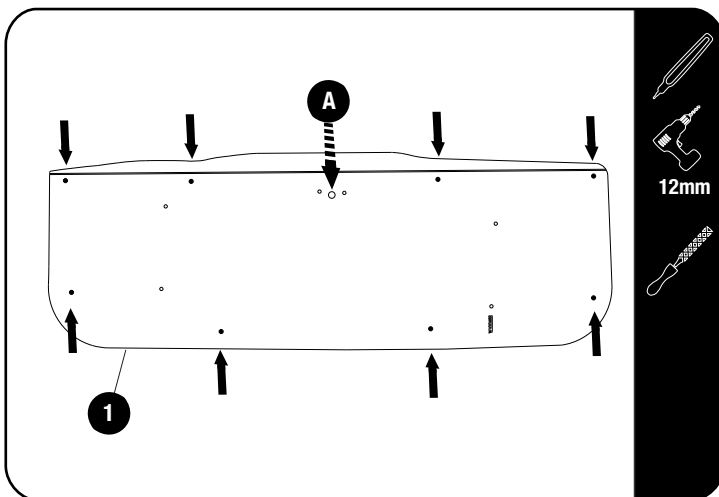
FIT AND SECURE

2.1



Using a suitable Panel Tool, remove the OEM door card in the Tail Gate of your Suzuki Jimny, to reveal the standard mounting points.

2.2

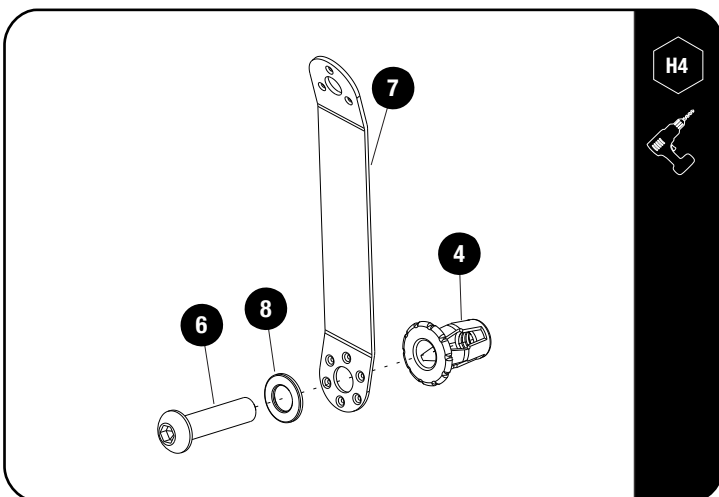


Mark each of the OEM Mounting Holes (indicated by solid arrow) that correspond with the holes in the Door Card Assembly (Item 1), except for the hole marked A.

Open the OEM Mounting Holes you have marked to 12mm.

Deburr the holes to make sure the fit is correct when inserting the Jack Nuts.

2.3



Insert the M6 x 25 Button Head Bolt (Item 6) and the M6 x 12 x 1 Flat Washer (Item 8) into the one side of the Jack Nut Tool (Item 7). Loosely fit a Jack Nut (Item 4) to the Button Head Bolt as shown.

Using the Jack Nut Tool Assembly as mentioned above, insert a M6 Jack Nut into all holes opened in step 2.2. Using a Battery Powered Screw Driver and a H4 Allen Key Bit, set the Jack Nut into the hole while holding onto the handle of the Jack Nut Tool.

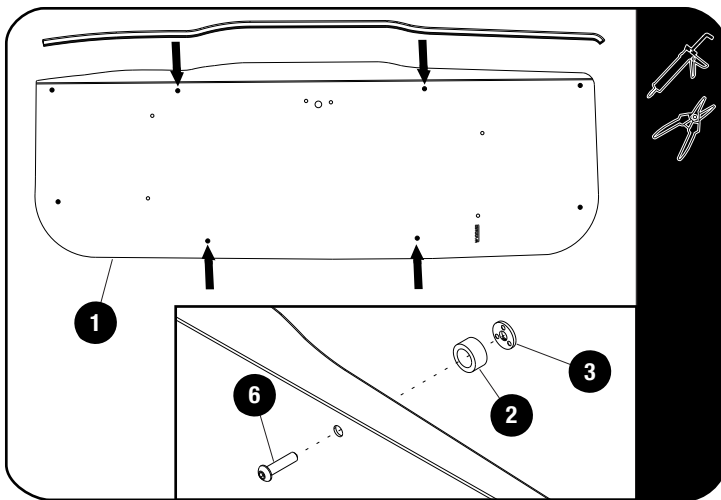


Make sure the Jack Nut has pulled up all the way to the inside skin of the door panel.

2

FIT AND SECURE

2.4



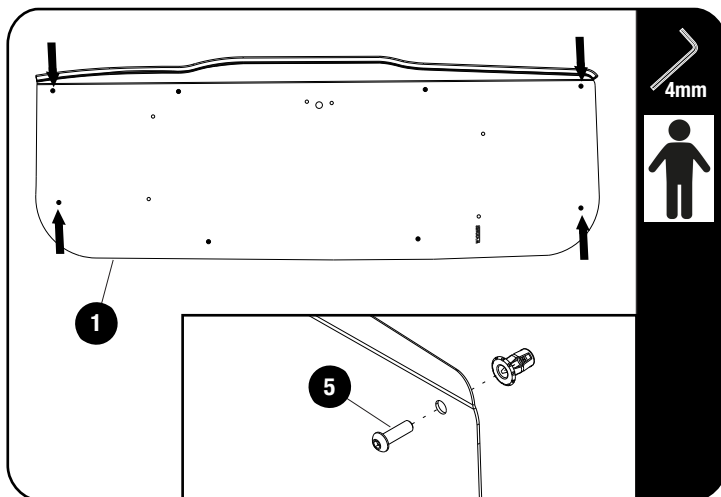
Place a bead of sealant around and in each Jack Nut to ensure a proper seal.

Insert a M6 x 25 Button Head Bolt (Item 6) into the four holes indicated on the Door Card Assembly (Item 1) and loosely assemble with a 19 x 12.58 x 10 Spacer (Item 2) and an Anti-loss Washer (Item 3).

Place the Rubber Strip (Item 11) around the top of the Door Card Assembly and trim off excess on the edges.

For a neat appearance trim at 45 degrees.

2.5



Ask a friend to hold the Door Card Assembly against the door panel and loosely secure the M6 x 25 Button Head Bolts to the corresponding Jack Nuts.

Using the M6 x 20 Button Head Bolts (Item 5) secure the Door Card Assembly to the remaining Jack Nuts, as shown.

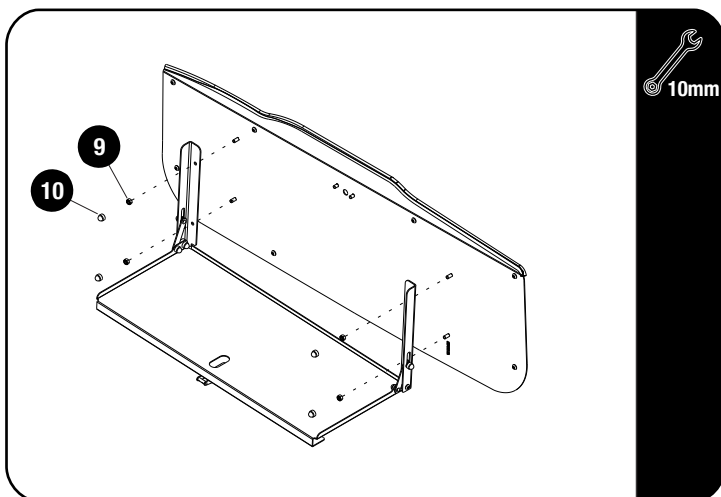
Tighten all Fasteners.



**Tightening Torque:**

M6 : 8-10Nm / 5.9 ft lb - 7.38 ft lb

2.6



Before continuing, make sure that TBRA054 has been correctly assembled according to its fitment guide.



Mount the Universal Drop Down Table using the studs that have been installed on the Door Card Assembly, by sliding the Mounting Brackets over the studs and securing with four M6 Nyloc Nuts (Item 9)

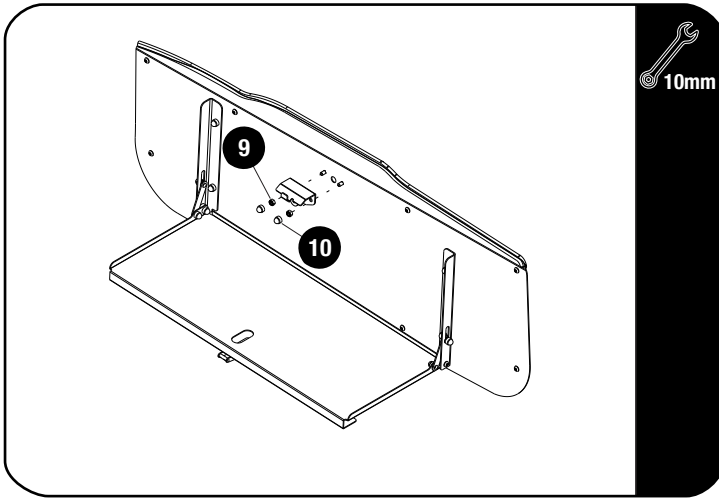


**Tightening Torque:**

M6 : 8-10Nm / 5.9 ft lb - 7.38 ft lb

### 3 FIT AND SECURE

2.7



Mount the Universal Drop Down Table Catch Assembly using the studs that have been installed on the Door Card Assembly, by sliding the Catch Assembly over the studs and securing with two M6 Nyloc Nuts (Item 9).



#### Tightening Torque:

M6 : 8-10Nm / 5.9 ft lb - 7.38 ft lb

Place a M6 Nut Cap (Item 10) on each of the M6 Nyloc Nuts, as shown.

### 3 FINISH

Congratulations! You did it. Take a step back and admire your work!

### 4

### INSTALL OTHER VEHICLE AND RACK ACCESSORIES

Now's the time to visit your favorite Front Runner dealer in person or online.

Be sure to tag us. We love to see our gear in action! #FrontRunnerOutfitters #BornToRoam

Share your adventures on: 