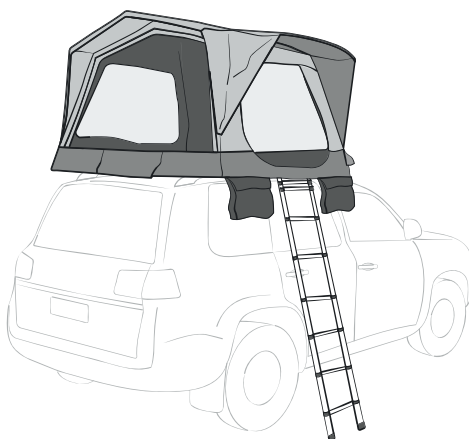




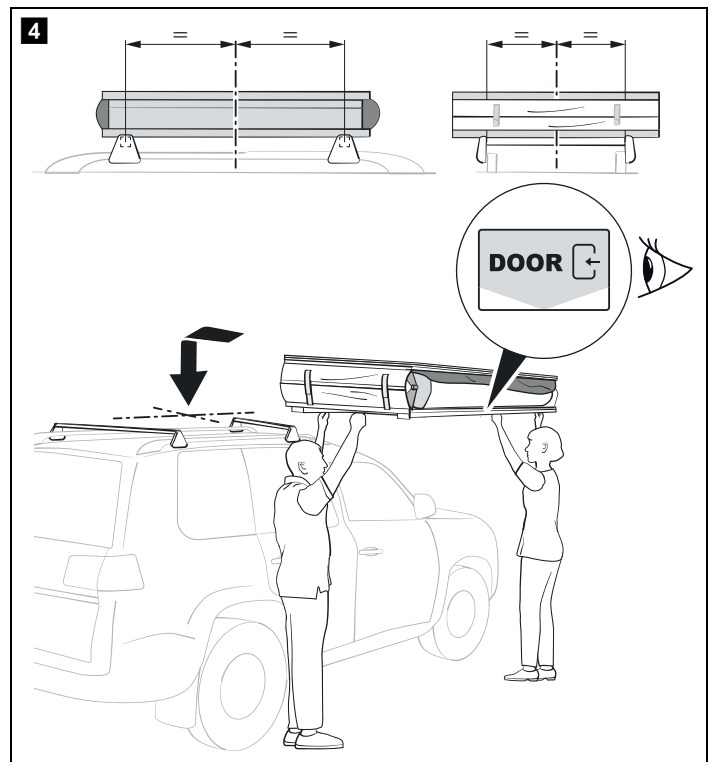
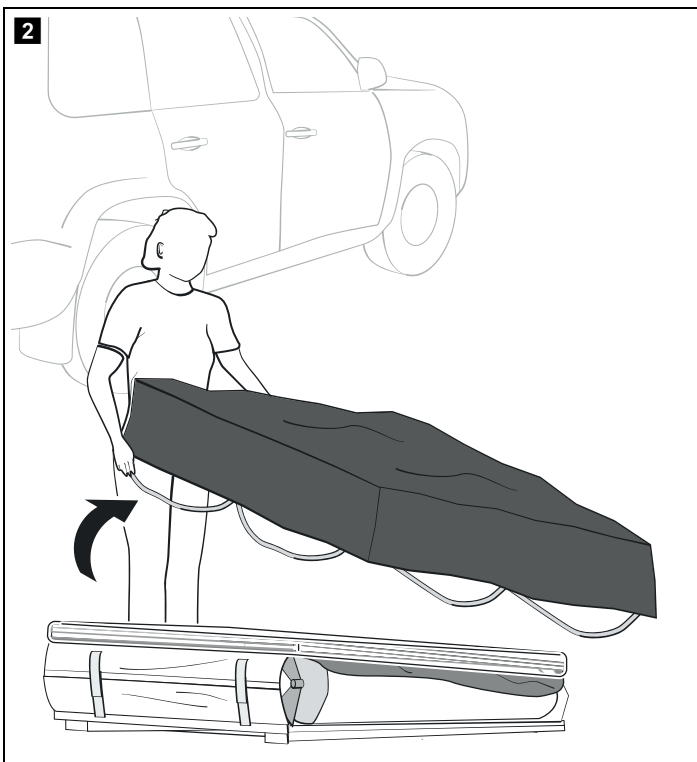
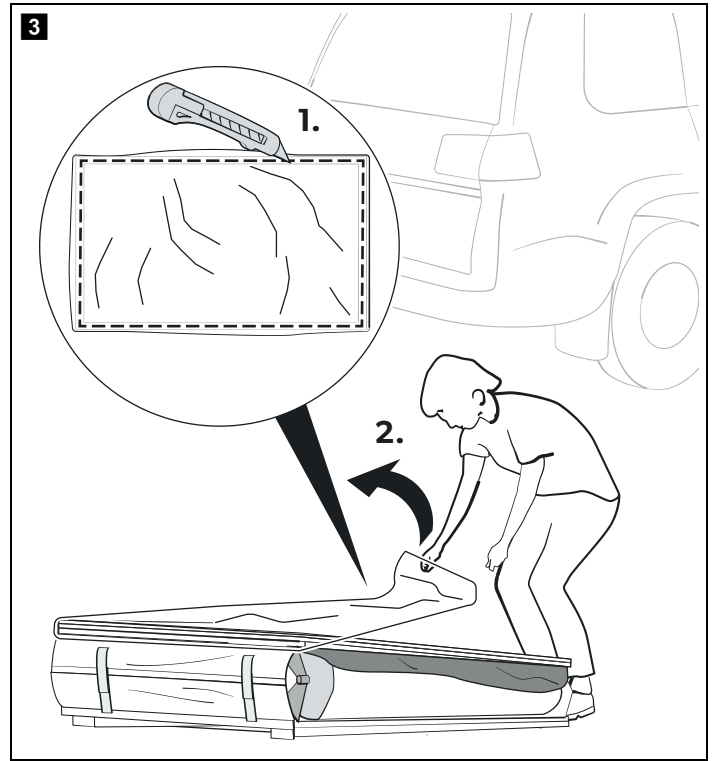
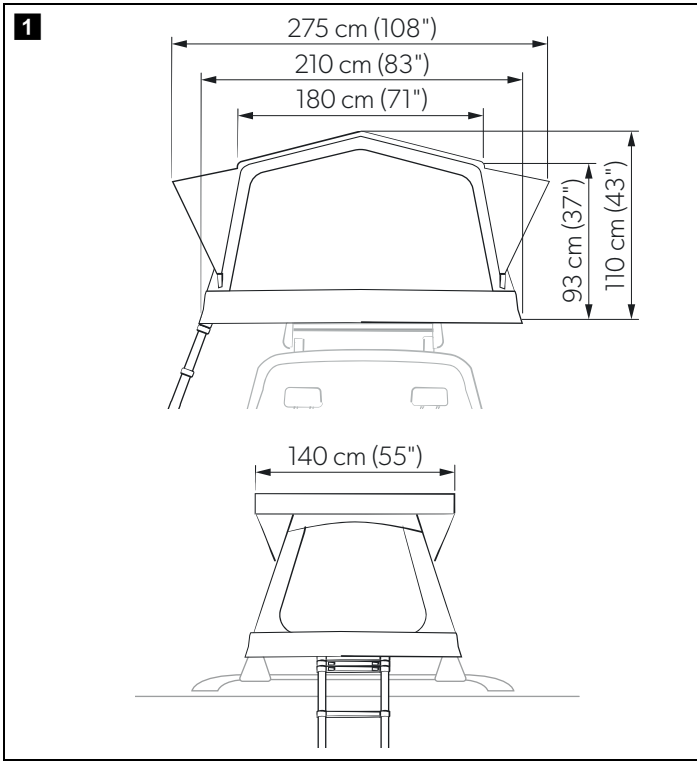
# TENTS & EQUIPMENT ROOFTOP

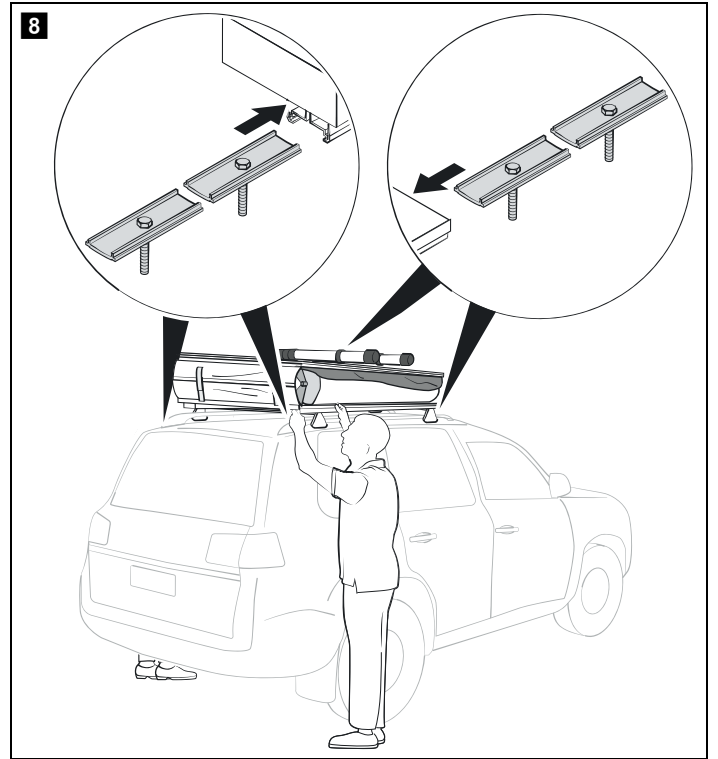
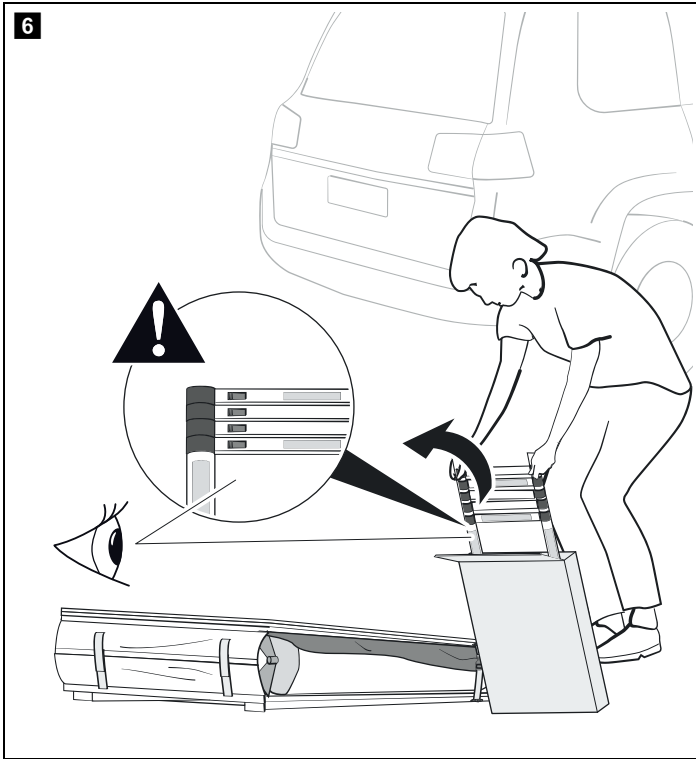
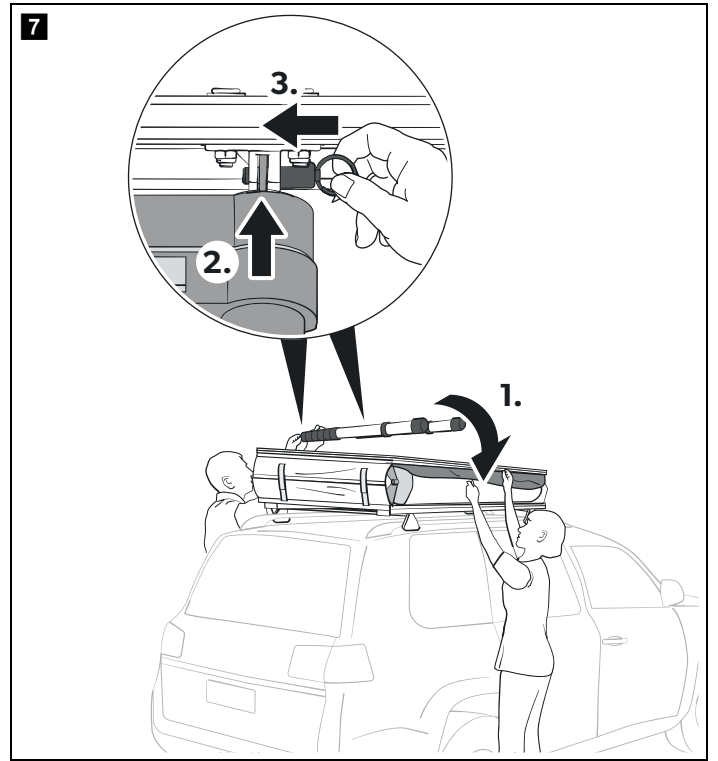
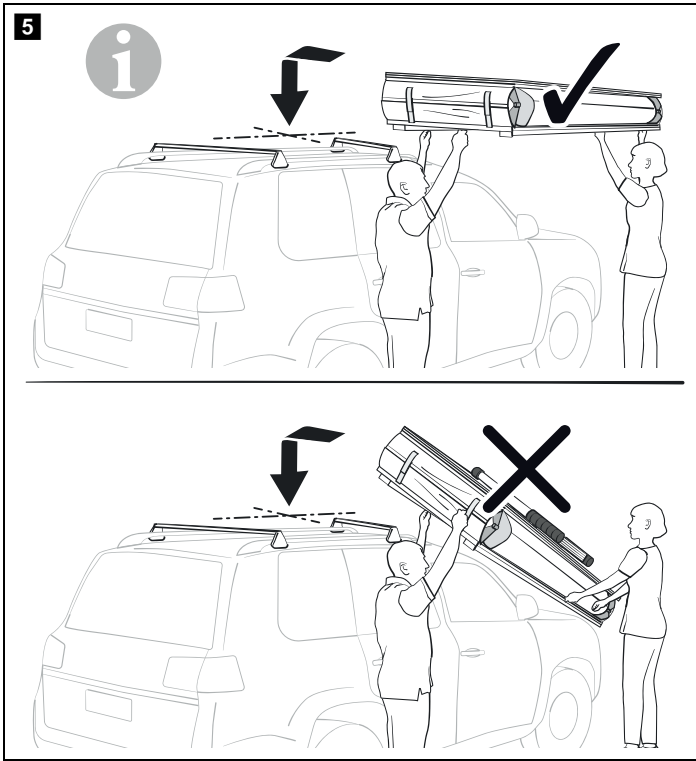


TRT140 AIR

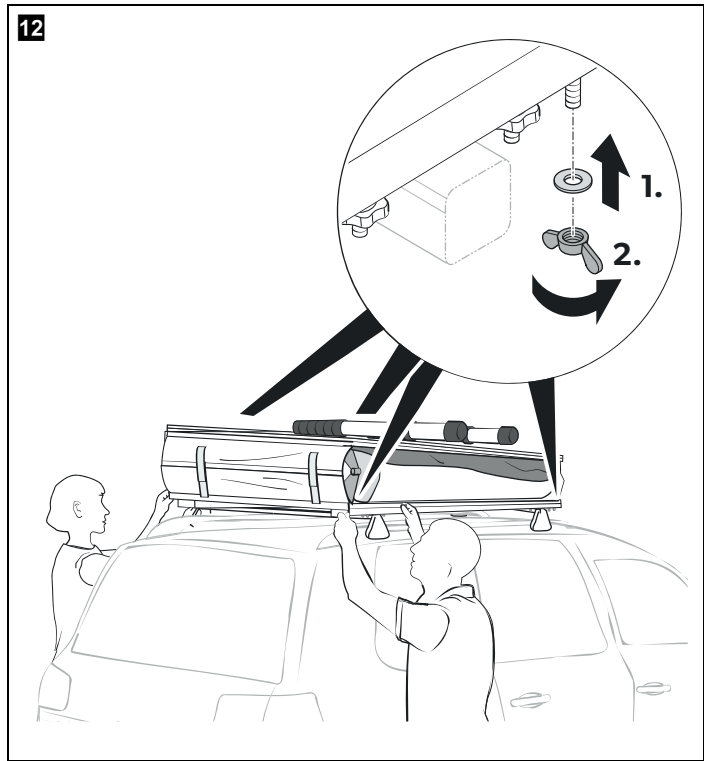
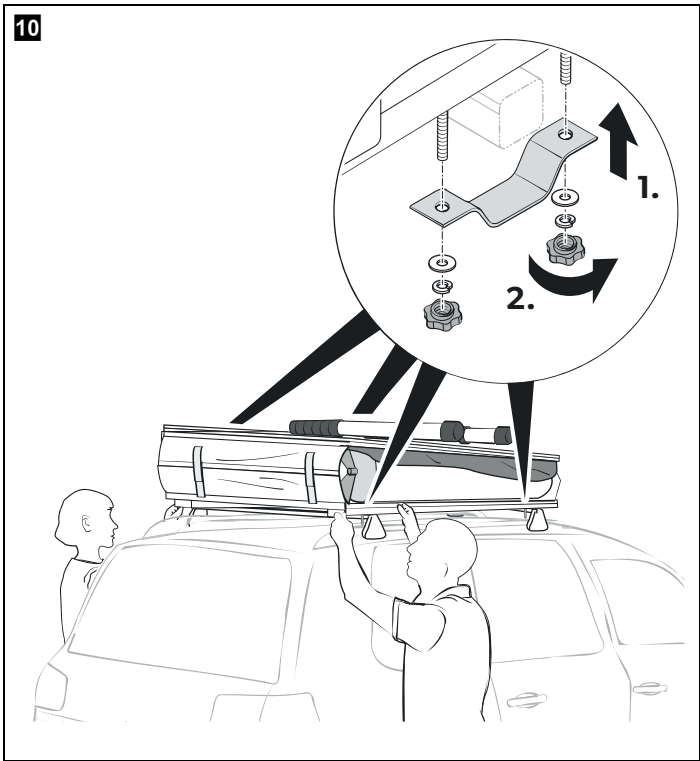
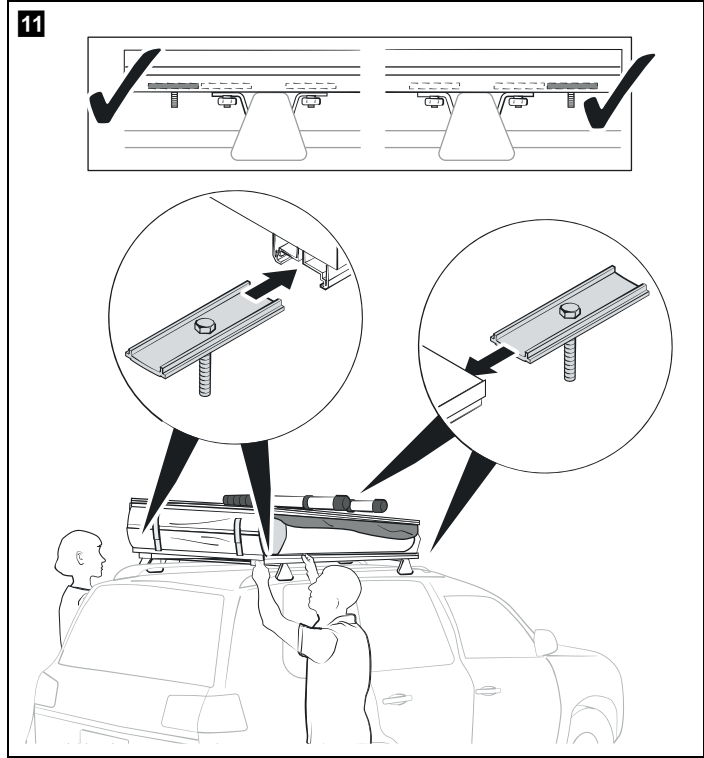
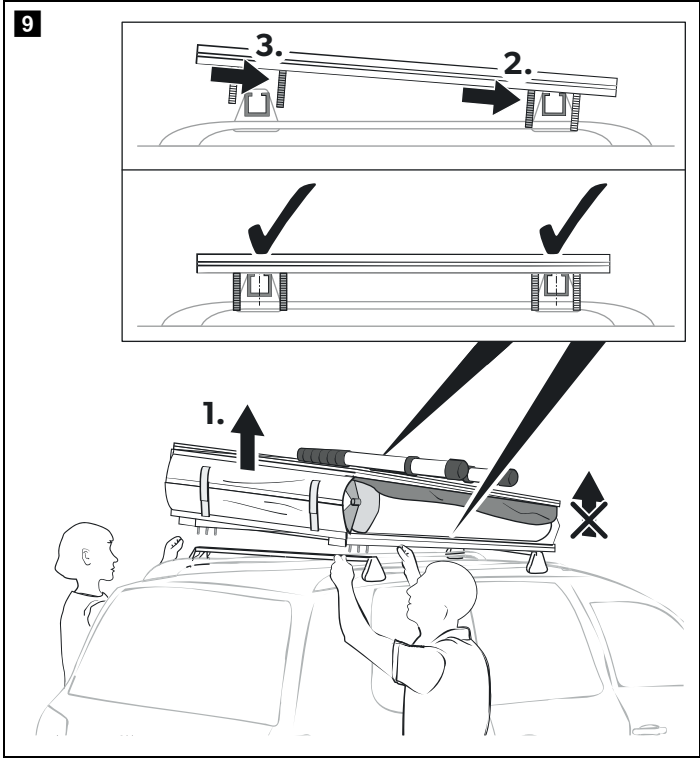
EN	<b>Rooftop tent</b> Installation and Operating Manual .....15	NO	<b>Taktelt</b> Monterings- og bruksanvisning .....67
DE	<b>Dachzelt</b> Montage- und Bedienungsanleitung .. 20	FI	<b>Kattotelta</b> Asennus- ja käyttöohje.....72
FR	<b>Tente de toit</b> Instructions de montage et de service ..... 26	PL	<b>Namiot dachowy</b> Instrukcja montażu i obsługi .....78
ES	<b>Tienda de techo</b> Instrucciones de montaje y de uso .... 32	SK	<b>Strešný stan</b> Návod na montáž a uvedenie do prevádzky .....84
PT	<b>Tenda de tejadilho</b> Instruções de montagem e manual de instruções ..... 38	CS	<b>Střešní stan</b> Návod k montáži a obsluze .....90
IT	<b>Tenda da tetto</b> Istruzioni di montaggio e d'uso..... 44	HU	<b>Tetőszátor</b> Szerelési és használati útmutató .....96
NL	<b>Daktent</b> Montagehandleiding en gebruiksaanwijzing..... 50	AR	102..... مینی بار التركيب والتشغيل دليل
DA	<b>Tagtelt</b> Monterings- og betjeningsvejledning.. 56		
SV	<b>Taktält</b> Monterings- och bruksanvisning .....61		

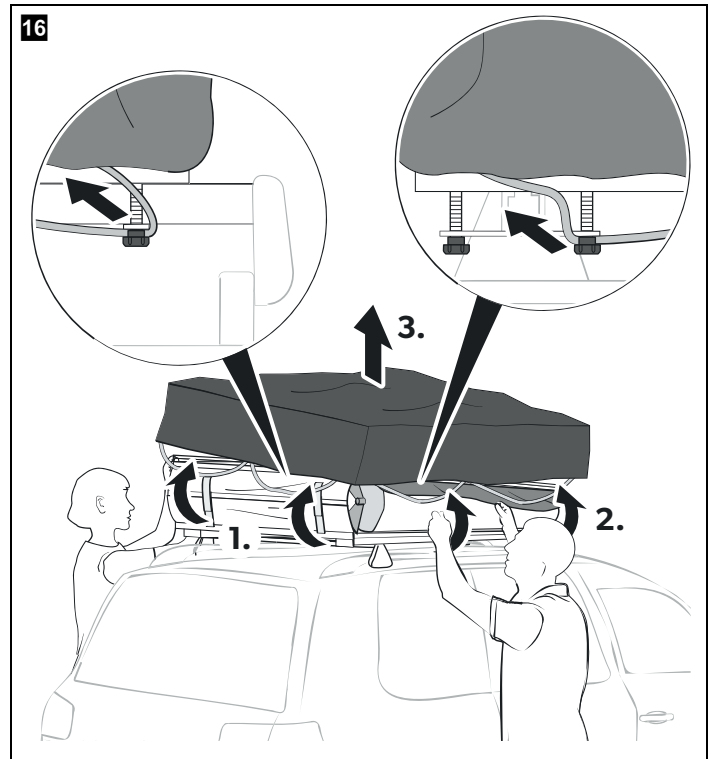
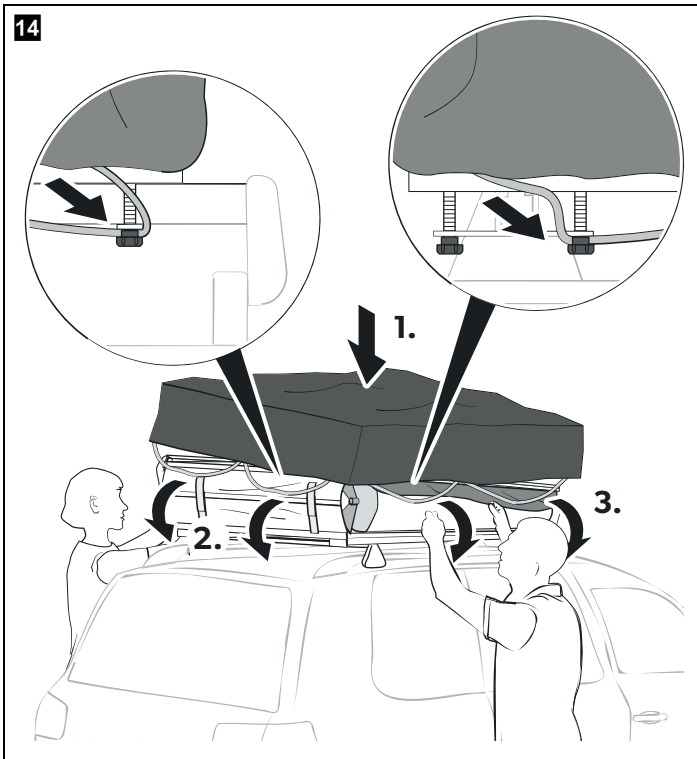
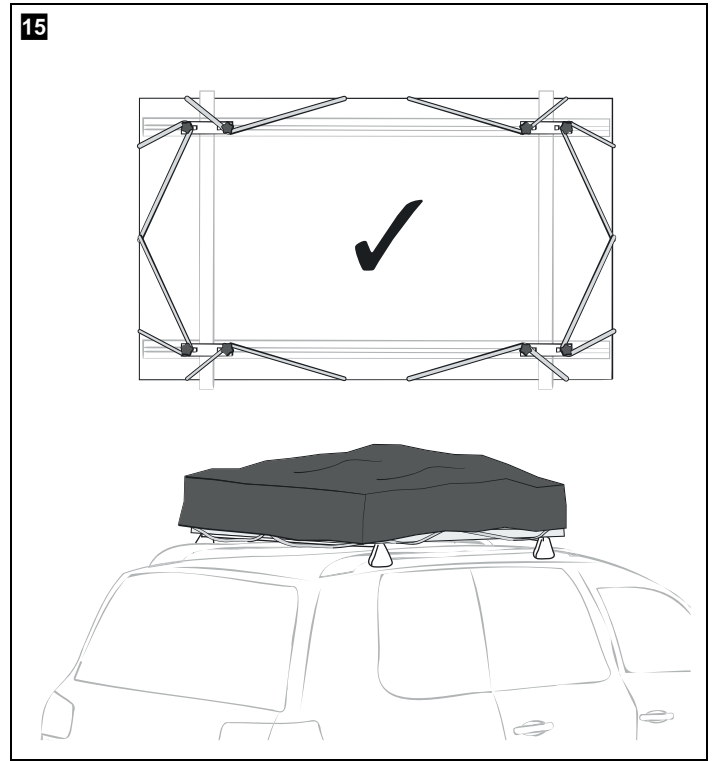
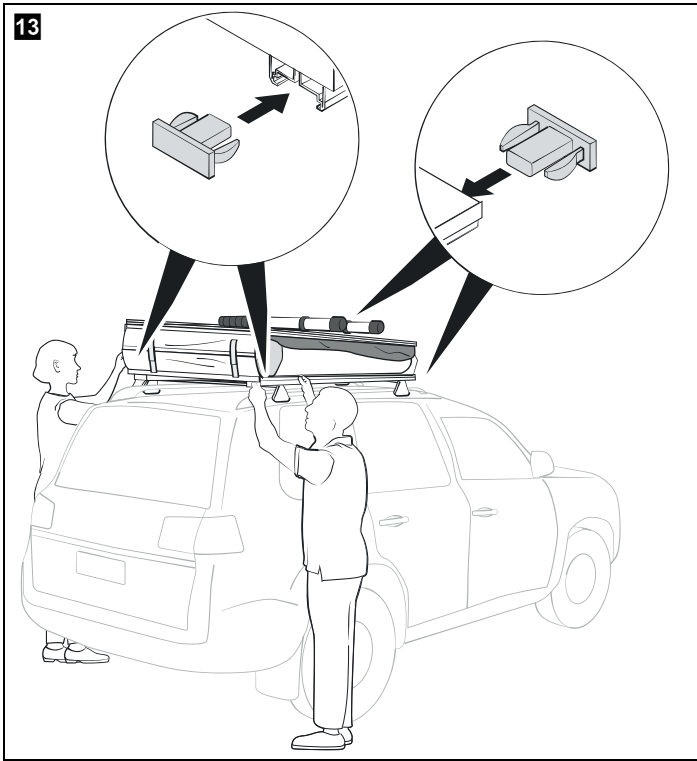
© 2022 Dometic Group. The visual appearance of the contents of this manual is protected by copyright and design law. The underlying technical design and the products contained herein may be protected by design, patent or be patent pending. The trademarks mentioned in this manual belong to Dometic Sweden AB. All rights are reserved.

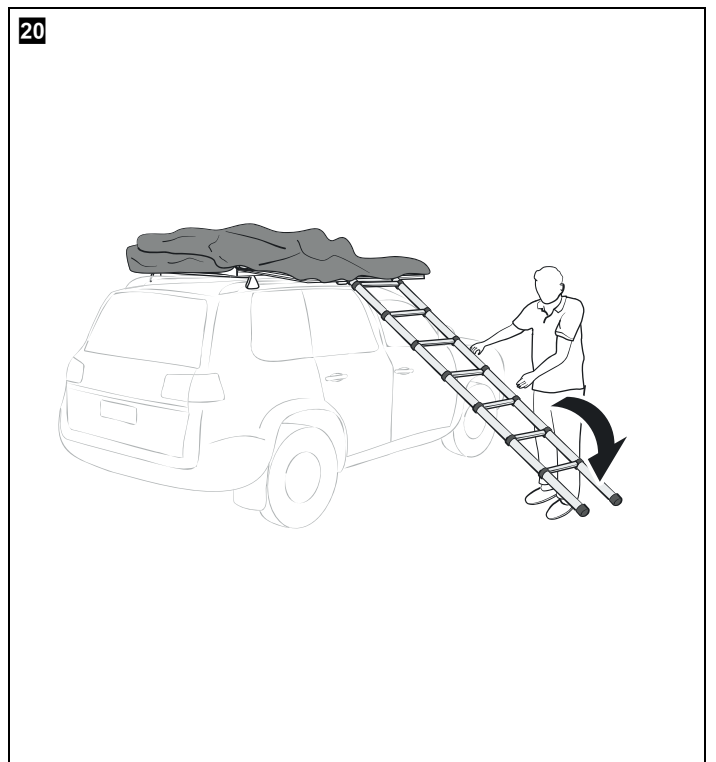
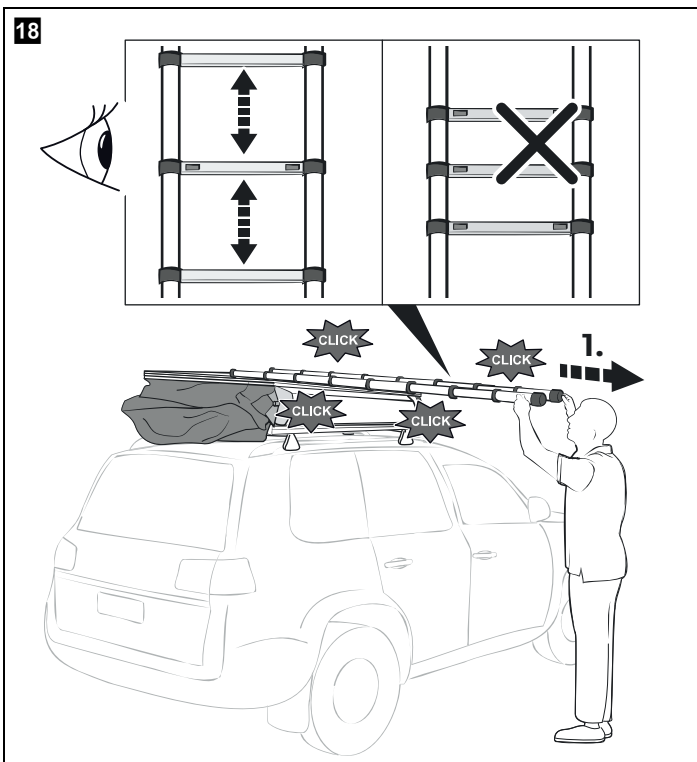
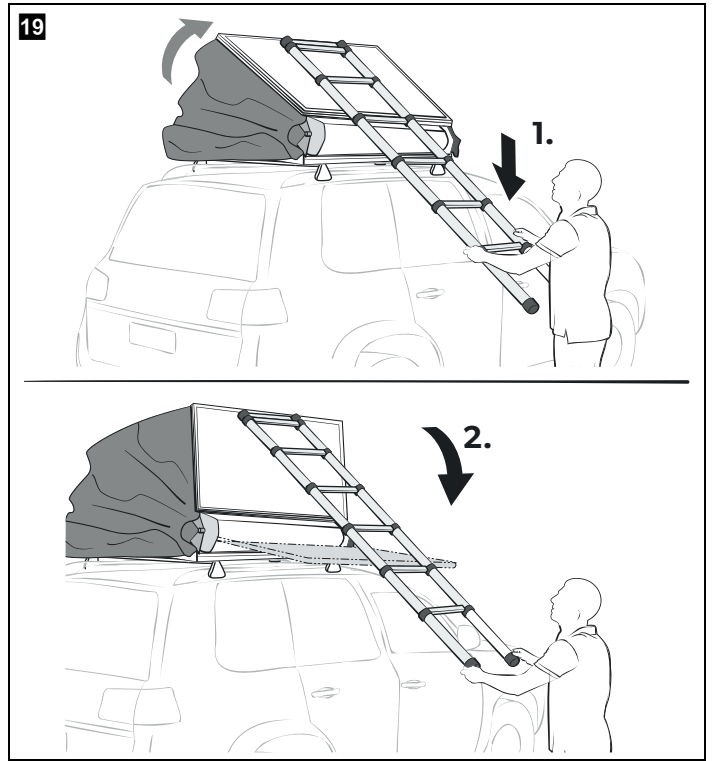
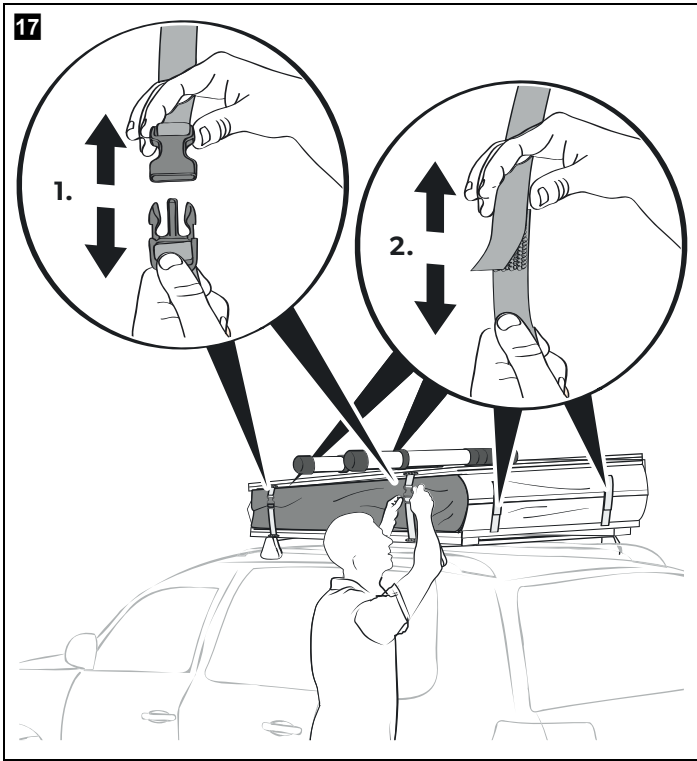






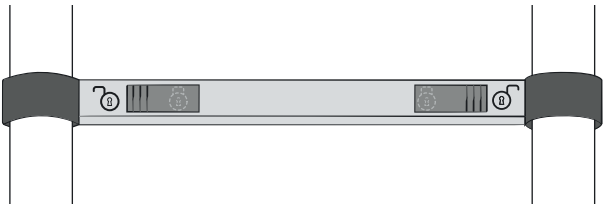




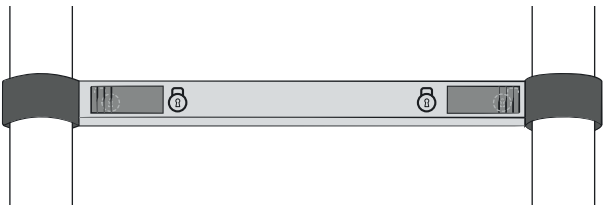


21

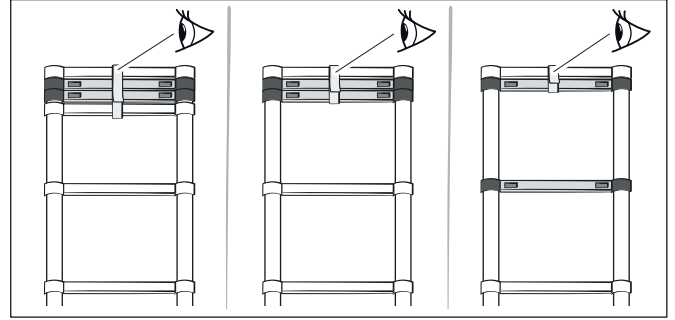
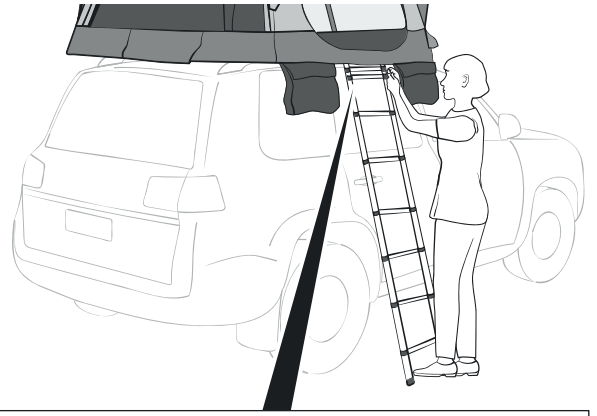
A



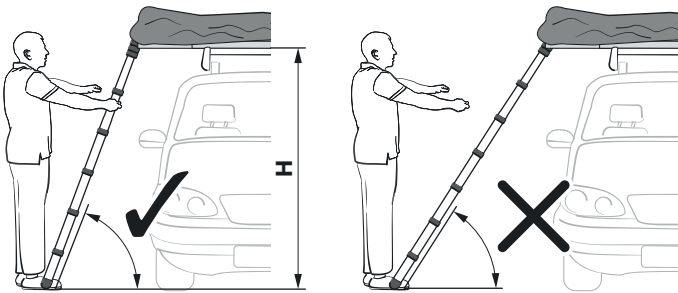
B



23



22

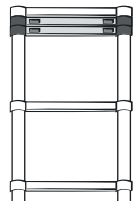


H

160 cm  
(5'3")



160 – 180 cm  
(5'3" – 5'11")



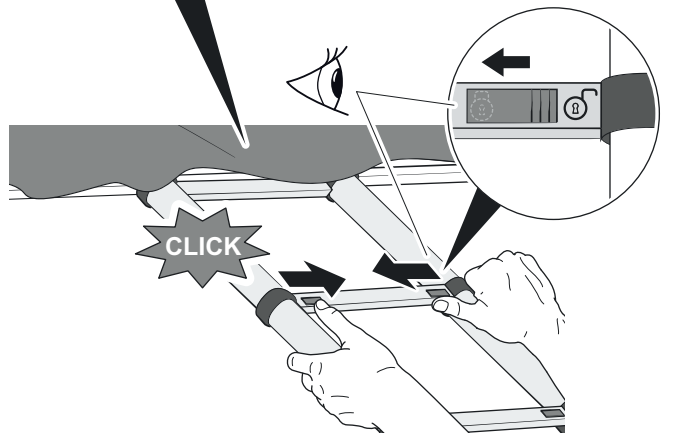
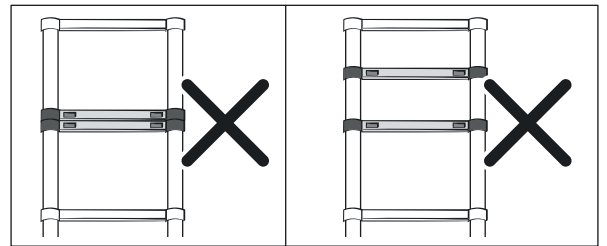
180 – 200 cm  
(5'11" – 6'7")

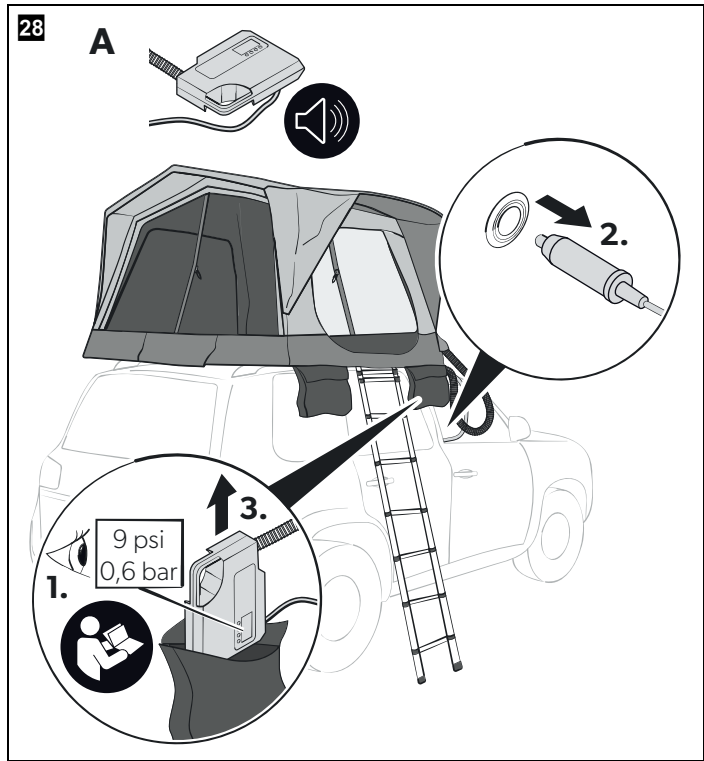
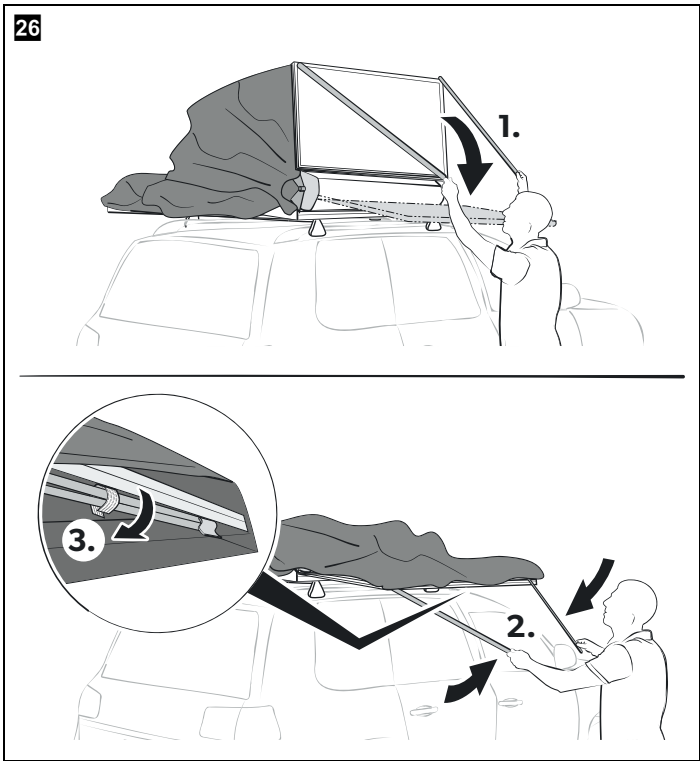
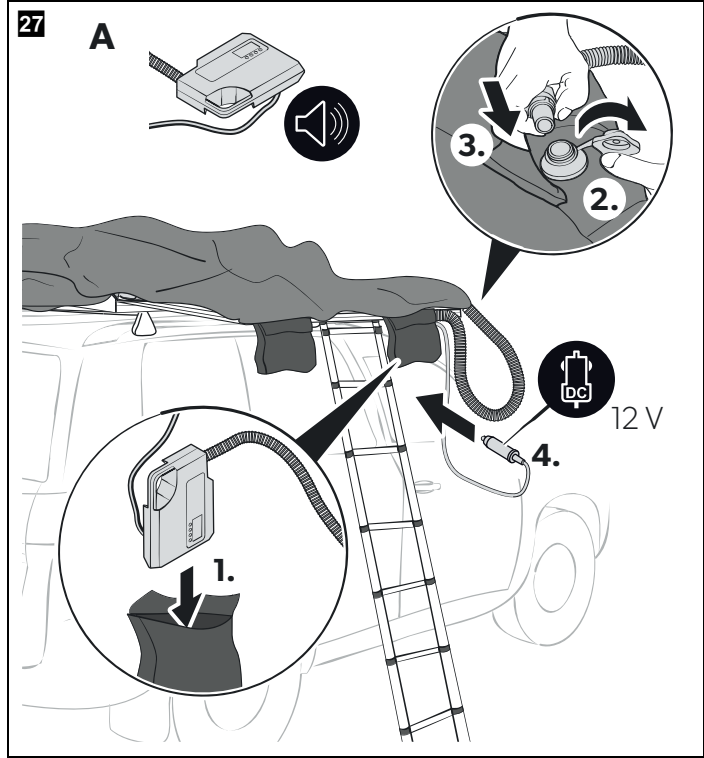
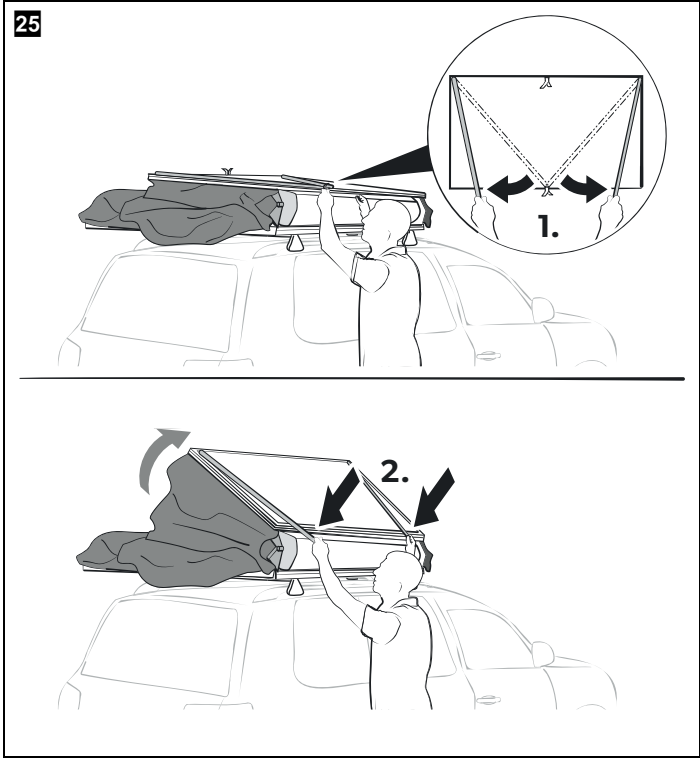


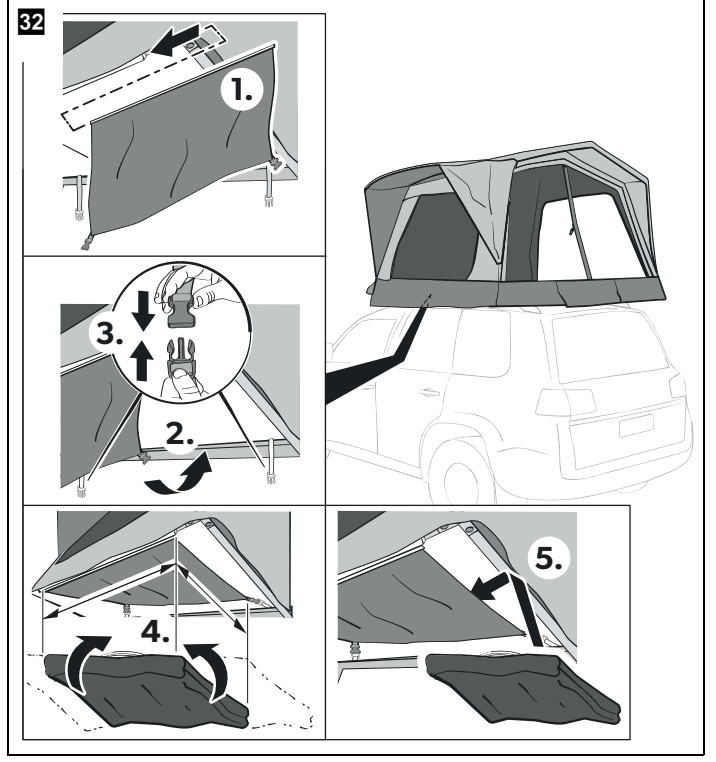
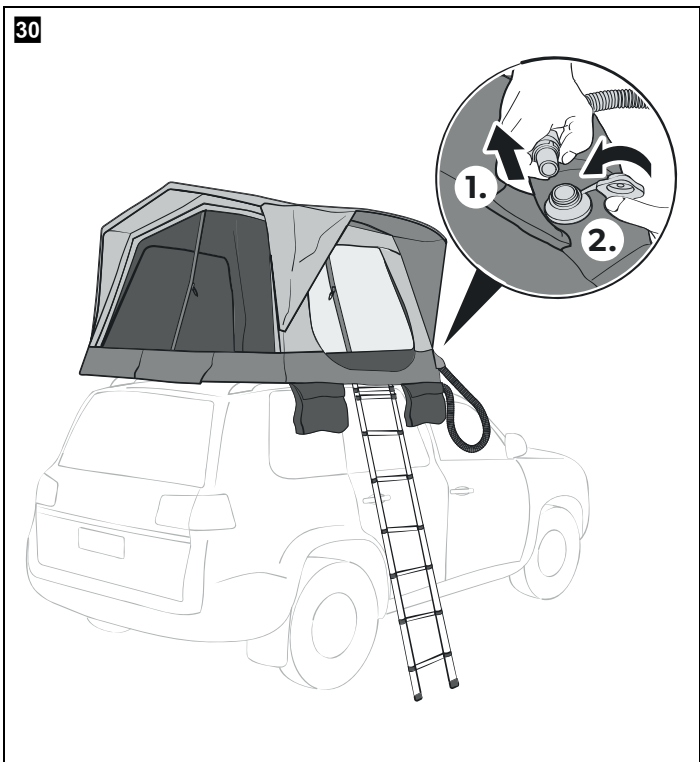
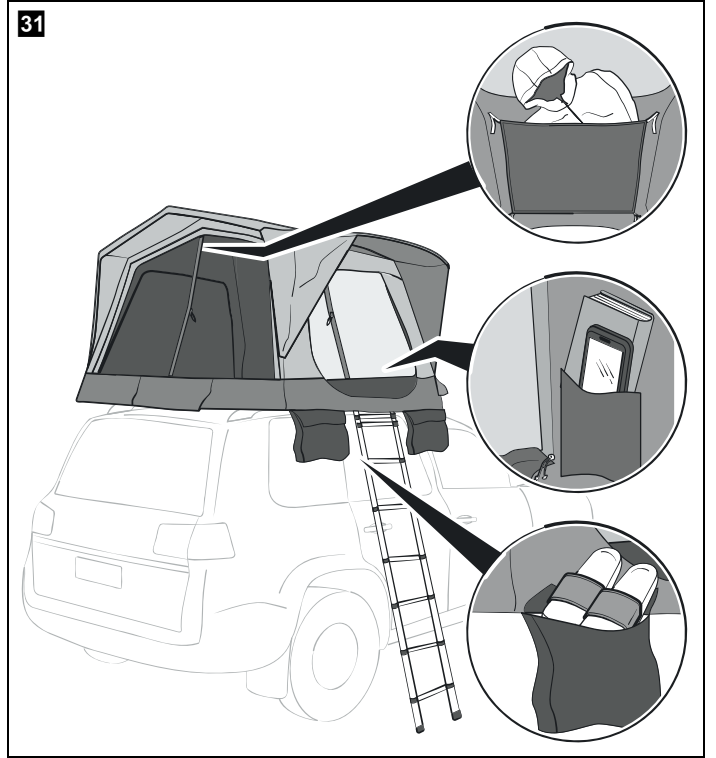
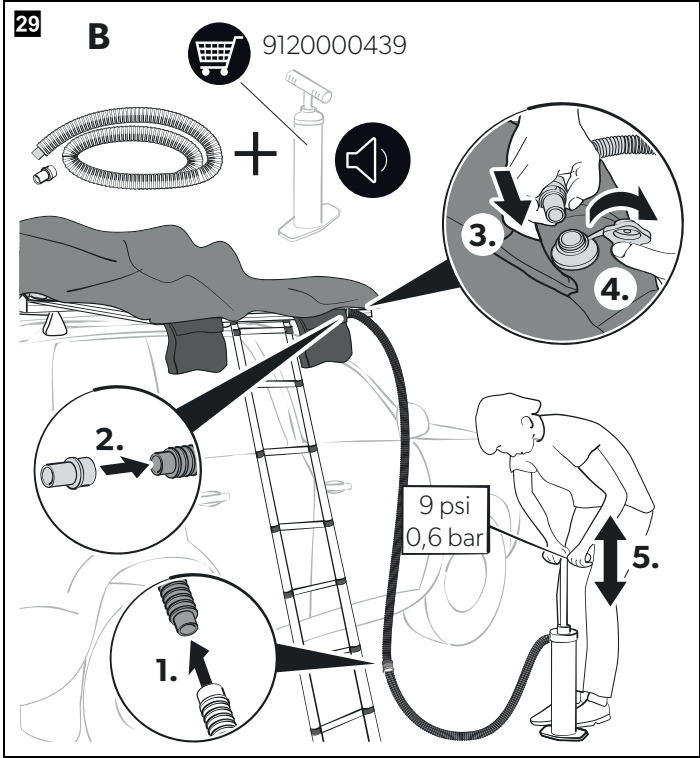
200 cm  
(6'7")

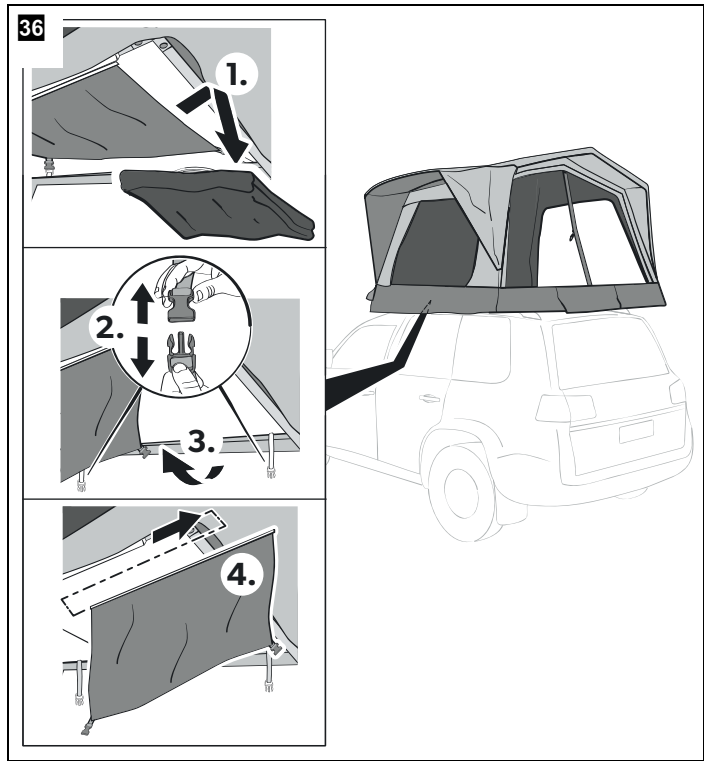
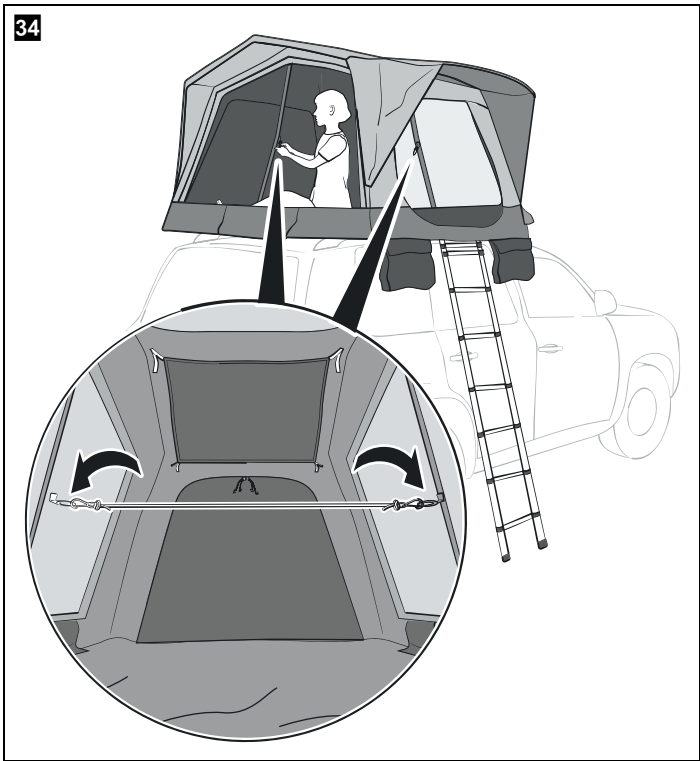
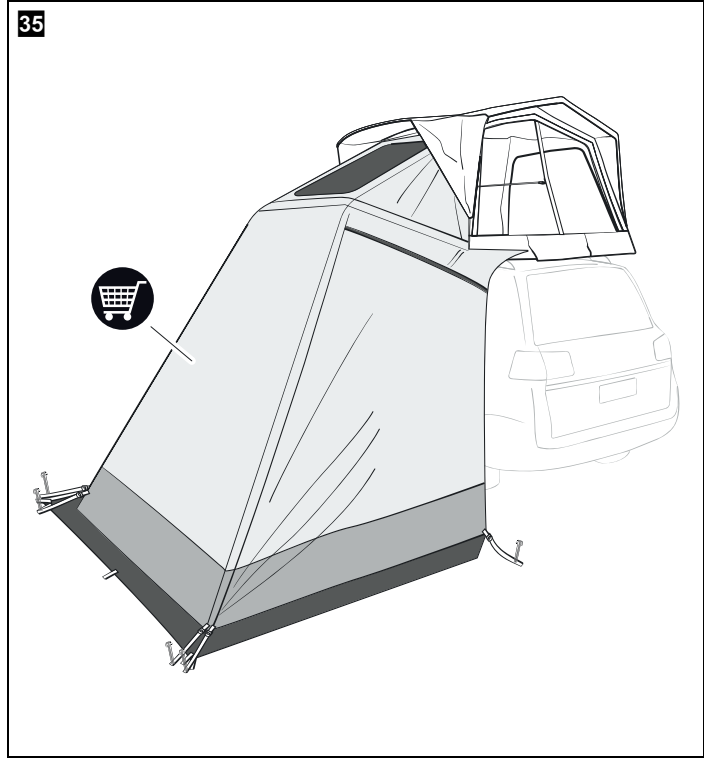
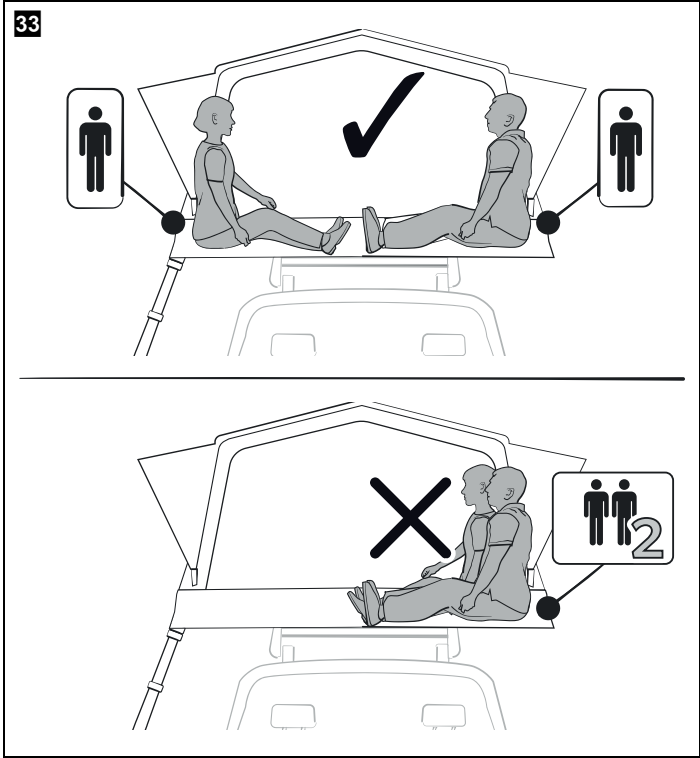


24

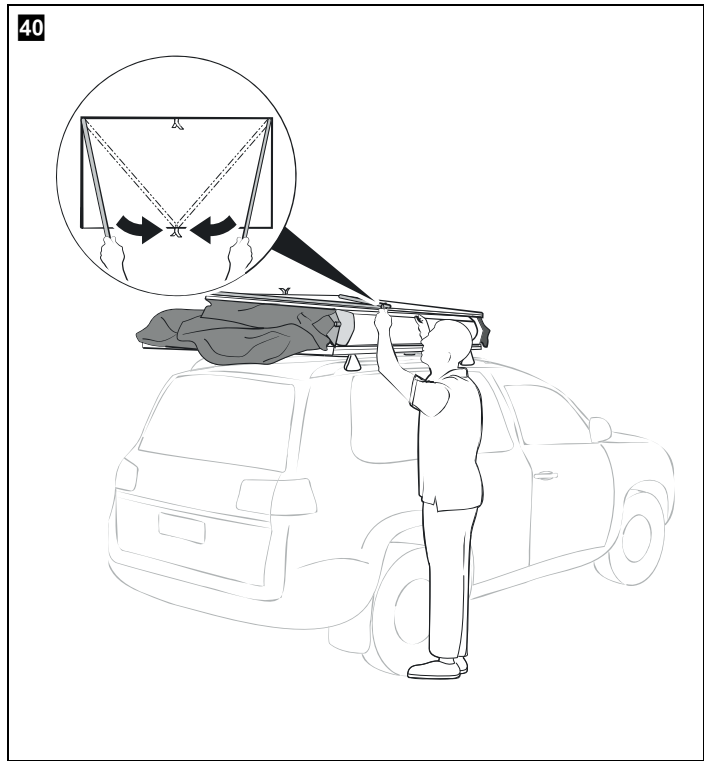
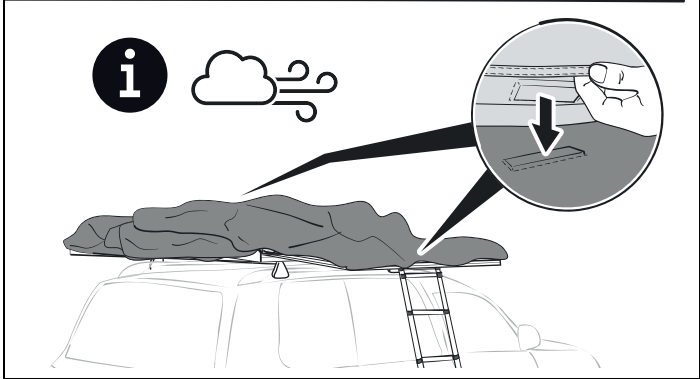
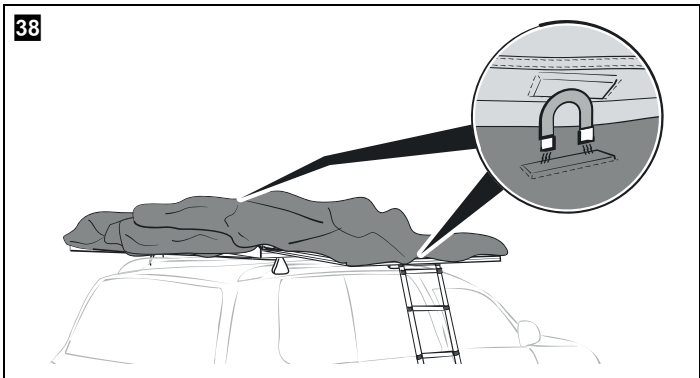
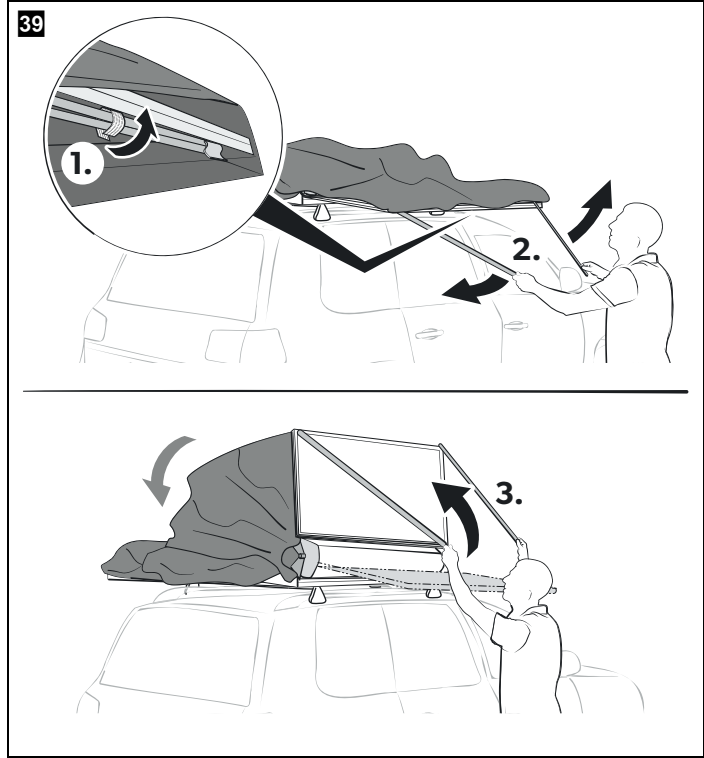
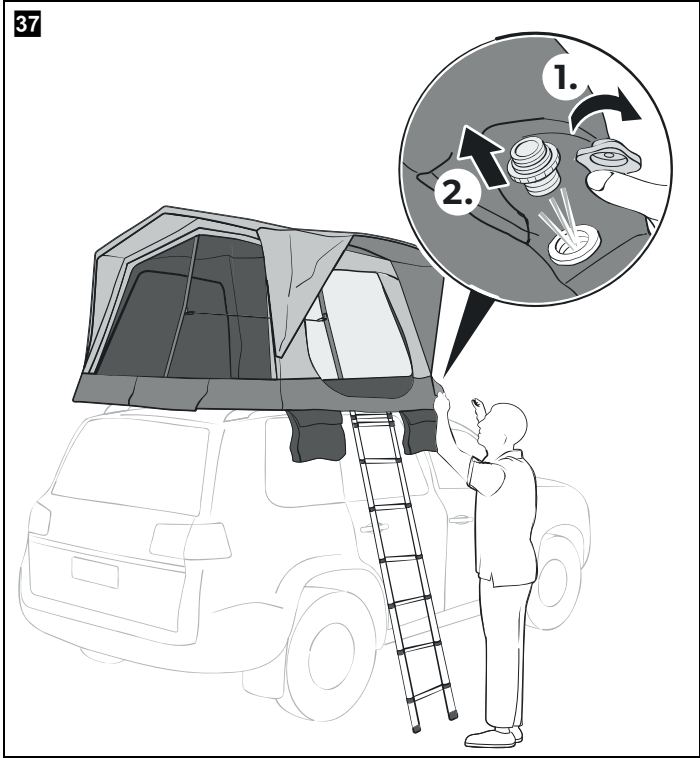




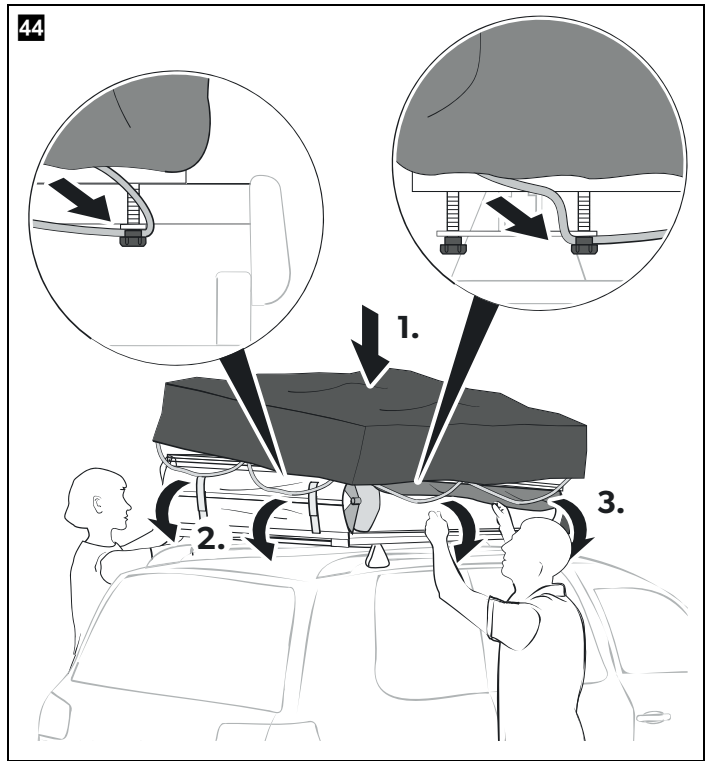
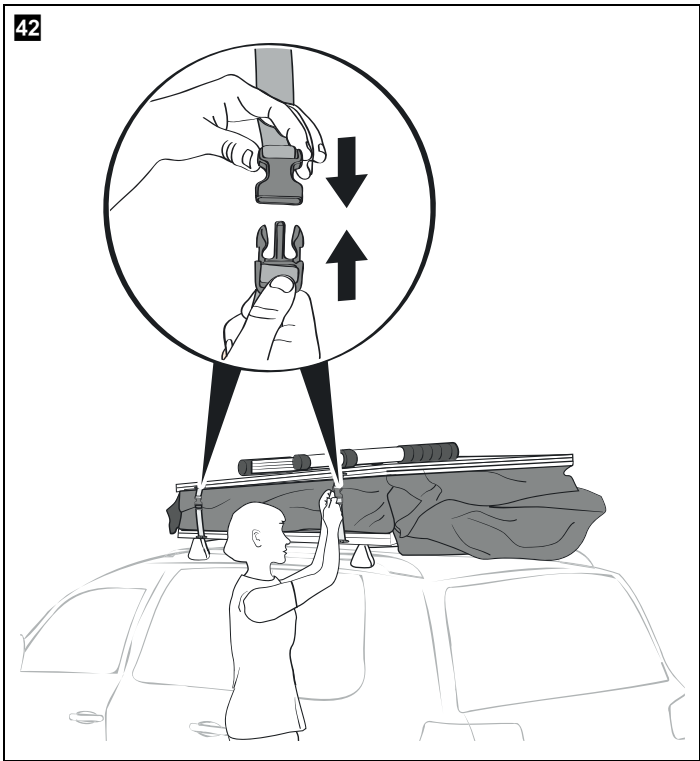
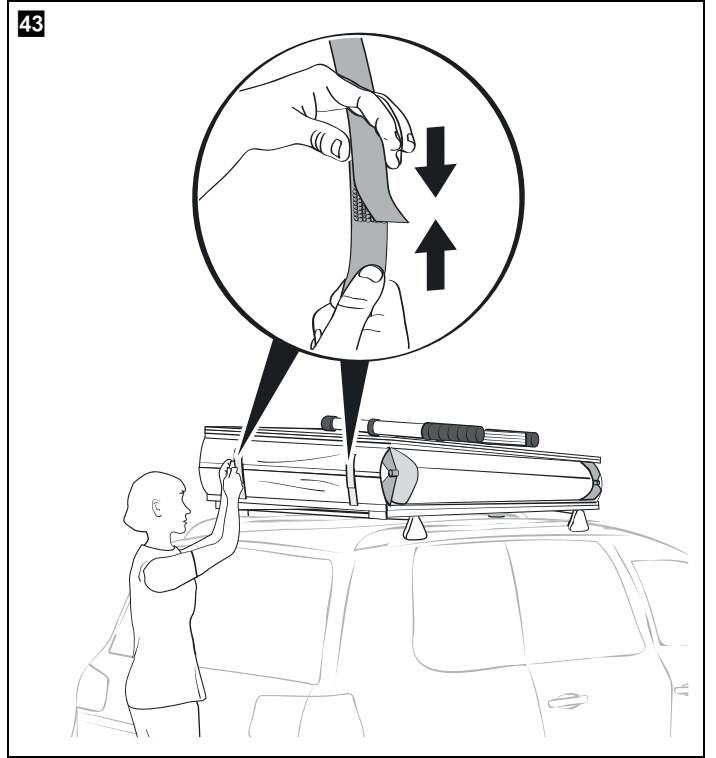
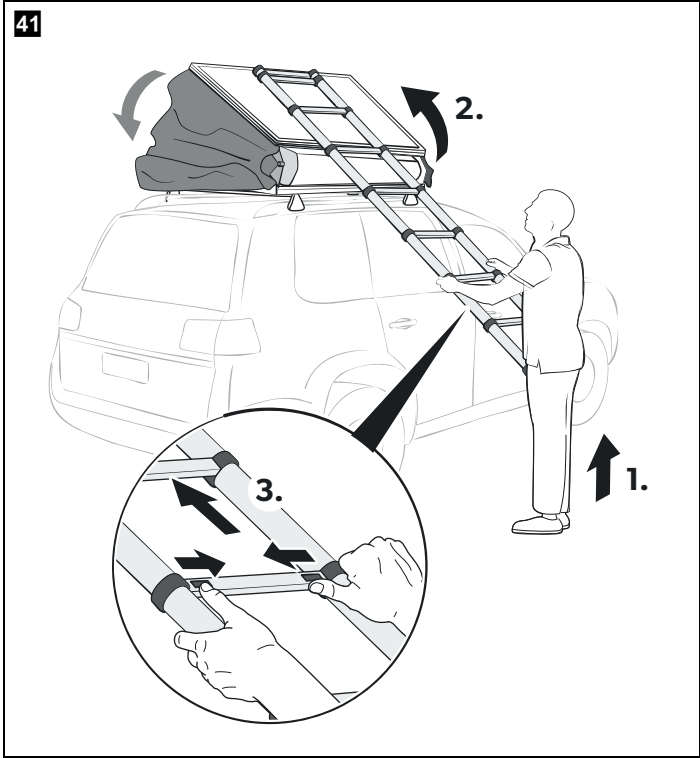




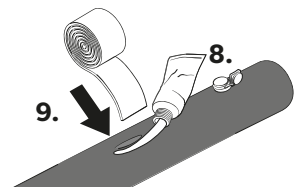
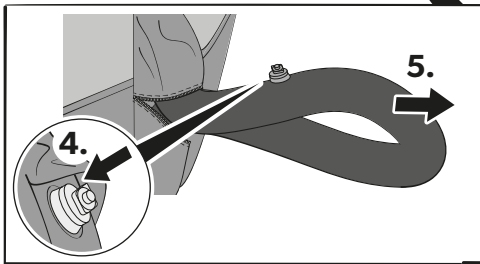
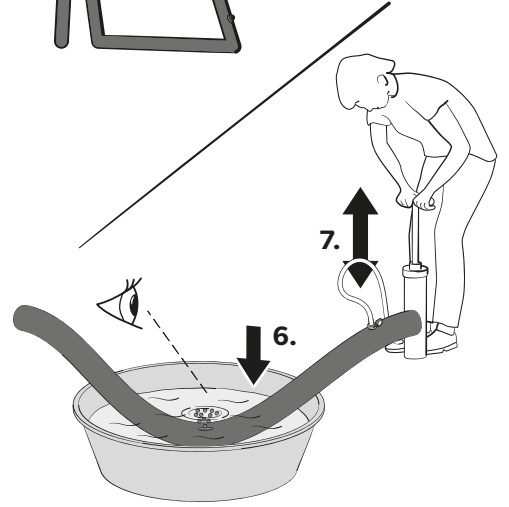
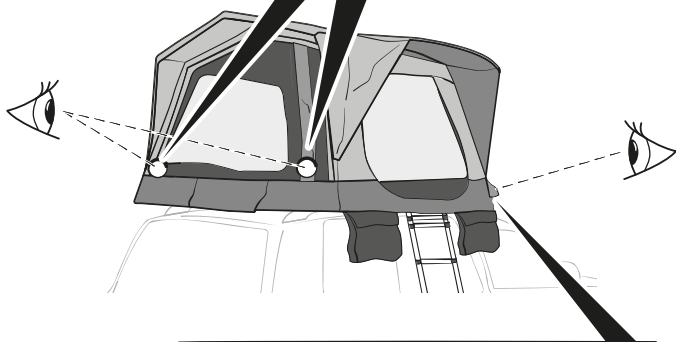
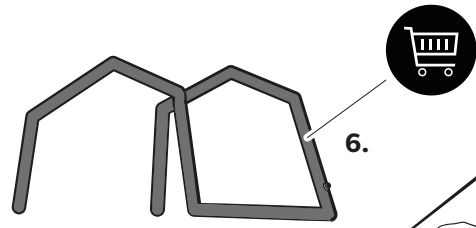
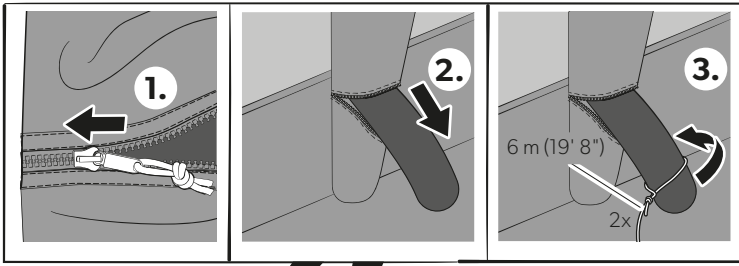




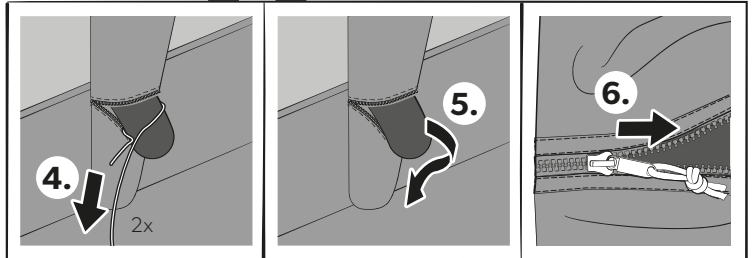
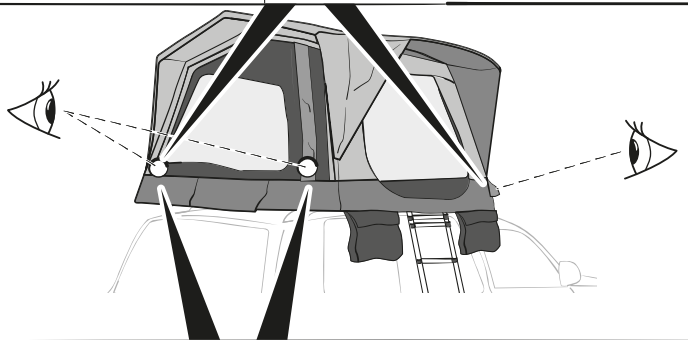
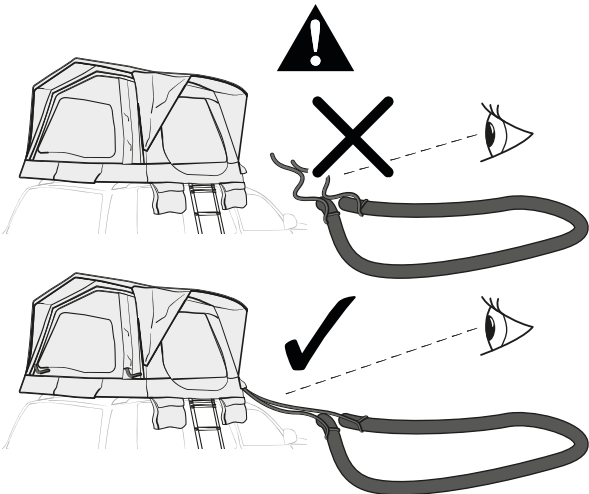
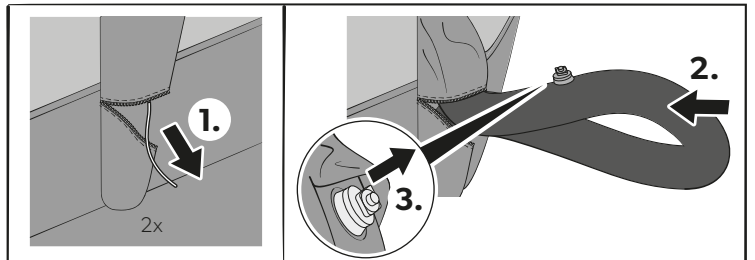




45



46



Please read these instructions carefully and follow all instructions, guidelines, and warnings included in this product manual in order to ensure that you install, use, and maintain the product properly at all times. These instructions MUST stay with this product.

By using the product, you hereby confirm that you have read all instructions, guidelines, and warnings carefully and that you understand and agree to abide by the terms and conditions as set forth herein. You agree to use this product only for the intended purpose and application and in accordance with the instructions, guidelines, and warnings as set forth in this product manual as well as in accordance with all applicable laws and regulations. A failure to read and follow the instructions and warnings set forth herein may result in an injury to yourself and others, damage to your product or damage to other property in the vicinity. This product manual, including the instructions, guidelines, and warnings, and related documentation, may be subject to changes and updates. For up-to-date product information, please visit [documents.dometic.com](http://documents.dometic.com), [dometic.com](http://dometic.com).

## Explanation of symbols



### **DANGER!**

**Safety instruction:** Indicates a hazardous situation that, if not avoided, will result in death or serious injury.



### **WARNING!**

**Safety instruction:** Indicates a hazardous situation that, if not avoided, could result in death or serious injury.



### **CAUTION!**

**Safety instruction:** Indicates a hazardous situation that, if not avoided, could result in minor or moderate injury.



### **NOTICE!**

Indicates a situation that, if not avoided, can result in property damage.



### **NOTE**

Supplementary information for operating the product.

## General safety instructions



**DANGER! Failure to obey this instruction will cause death or serious injury.**

### **Hazard of carbon monoxide poisoning**

- Never use a fuel-burning appliance such as barbecues or gas heaters inside the tent. The burning process produces carbon monoxide which accumulates inside the tent as there is no flue.



**WARNING! Failure to obey these warnings could result in death or serious injury.**

### **Fire hazard**

- Ensure to know the fire precaution arrangements on the site.
- Do not cook inside the tent or use open flames.
- Keep all flame and heat sources away from this tent fabric.

### **Beware of suffocation**

- Ensure ventilation openings are open all the time to avoid suffocation.

### **Risk of injury**

- This device is not intended for use by persons (including children) with reduced physical, sensory or mental capabilities.
- Do not allow children to play around or in the tent and ensure that they are careful when using the ladder.
- Cleaning and user maintenance may not be carried out by unsupervised children.

- Always check the weather forecast before set up and use of the rooftop tent.
  - Do not use the rooftop tent if a storm or a thunderstorm is announced.
  - If getting caught in a thunderstorm, immediately leave the rooftop tent and get yourself to safety in your vehicle. Stay in your vehicle until the thunderstorm is over to avoid being struck by lightning.
  - Do not set up, use or fold down the rooftop tent or the ladder if it is very windy.
  - Do not fold down the rooftop tent during heavy rain.
- Do not use the rooftop tent if any part or any of its components are visibly damaged. Contact the manufacturer for assistance.
- Only use tested (e.g. GS-tested) roof racks that are approved for use with your vehicle.
- Before mounting the rooftop tent, make sure that your vehicle and your roof rack offer sufficient load capacity for the rooftop tent and the persons and objects intended to be inside the rooftop tent.



### **NOTE**

- Always keep the vehicle and roof rack manuals with you and follow their instructions.

## Safety when using the ladder



**CAUTION! Failure to obey these cautions could result in minor or moderate injury.**

### **Risk of injury**

- After delivery and before every use, check that the ladder is not damaged and is safe to use. Do not use a damaged ladder.
- There is a risk of falling during ascent, descent and general use of the ladder. The use of the ladder must be carried out in such a way that the risk of falling is kept as low as possible.
  - Keep a secure grip on the ladder.
  - Do not lean out to the side.
  - Only ascend and descend facing the ladder.
- Do not enter the ladder with more than one person at a time.
- Do not erect the ladder on an uneven, unstable or contaminated ground.
- Do not carry equipment which is heavy or difficult to handle while using the ladder.
- Do not wear unsuitable footwear when climbing the ladder.
- Do not use a ladder that is soiled, e.g. by mud or snow.
- Do not use the ladder in case of physical limitations. Certain health conditions, medication use, alcohol or drug abuse may cause a safety risk when using the ladder.
- Ensure that the locking mechanisms for all extended segments are locked before transport, each use and storing of the ladder.
- When setting up and using the ladder, be aware of the risk of collisions, e.g. with pedestrians, vehicles or doors. Close doors (except emergency exits) and windows in the area of use, if possible.
- Do not modify the ladder or any of its components in any way.



### **NOTICE! Damage hazard**

- Observe the specified maximum total load of the ladder.

## Safety when transporting the rooftop tent on the rooftop of a vehicle



**WARNING! Failure to obey these warnings could result in death or serious injury.**

### Risk of injury

- Only drive with the rooftop tent on the rooftop of your vehicle if the rooftop tent is folded down and covered correctly with the tent cover.
- Do not drive faster than 110 km/h (88 mph) with the rooftop tent on the rooftop of your vehicle.
- At the beginning of each trip and at regular intervals during each trip, check that the rooftop tent is firmly attached to the roof rack and that the tent cover is safely secured. An incorrectly mounted roof rack or rooftop tent can fall off during the journey and injure other road users.
- Store the ladder correctly on top of the folded rooftop tent and under the tent cover to prevent the ladder from falling off and injuring other road users during the journey.
- Adjust your driving behavior (e.g. crosswind sensitivity, cornering, and braking behavior) to accommodate the change in vehicle height.



### NOTICE! Damage hazard

- The rooftop tent increases the vehicle height. Beware of low entrances, low bridges, low hanging branches and other obstacles.
- Remove the rooftop tent and the roof rack when using an automatic car wash.



### NOTE

- Wind noise may occur when driving with the rooftop tent on the rooftop of a vehicle.

## Safety when operating the Gale 12V electric pump



**WARNING! Failure to obey these warnings could result in death or serious injury.**

### Electrocution hazard

- Do not operate the electric pump if it is visibly damaged.
- If this electric pump's power cable is damaged, it must be replaced by the manufacturer, a service agent or a similarly qualified person in order to prevent safety hazards.
- This electric pump may only be repaired by qualified personnel. Improper repairs can lead to considerable hazards.
- Do not use the electric air pump in wet conditions or submerge in any liquid. Store in a dry place.



**CAUTION! Failure to obey these cautions could result in minor or moderate injury.**

### Electrocution hazard

- Before starting the electric air pump, ensure that the power cable and the plug are dry and the plug is free of rust or foreign matter.
- Disconnect the electric air pump from the power supply
  - Before each cleaning and maintenance
  - After every use

### Risk of injury

- This device is not intended for use by persons (including children) with reduced physical, sensory or mental capabilities, or lack of experience and knowledge, unless they have been given supervision or instruction concerning use of the device by a person responsible for their safety.
- Keep children and pets away from the electric pump whilst operation.
- Do not direct air stream at face or body.
- Observe the recommended air pressure.



### NOTICE! Damage hazard

- Cleaning and user maintenance may not be carried out by unsupervised children.
- Check that the voltage specification on the data plate corresponds to that of the energy supply.
- Only connect the electric pump to a DC power supply in the vehicle with the DC cable.
- Do not place the device near naked flames or other heat sources (heaters, direct sunlight, gas ovens etc.).
- Do not let the device operate unattended.
- Never pull the plug out of the socket by the cable.

## Scope of delivery

Component	Quantity
Rooftop tent	1
Telescopic ladder	1
PVC cover	1
Tool bag	1
U shaped bracket	4
M8 x 50 bolt	8
M8 x 16 screw	4
M8 1mm washer	8
M8 unscrewed washer	12
M8 1.5mm washer	4
M8 wing nut	4
Aluminum section plate	12
M8 plastic wheel nut	8
Plastic end cap	4
Gale 12V electric pump	1
Air hose	1
Nozzle adapter	6
Storage bag pocket	2
Storage net	1
Extension hose (1.4 m)	1

## Accessories

Available as accessory (not included in the scope of delivery):

Component	Ref. no.
TRT 140 AIR Awning Low	9120002119
TRT 140 AIR Awning Tall	9120002120
Hand pump	9120000439

## Intended use

This rooftop tent is suitable for:

- Mounting on a suitable roof rack on the rooftop of a suitable vehicle
- Light to moderate weather
- Touring

This rooftop tent is **not** suitable for:

- Use by persons with reduced physical, sensory or mental capabilities
- Very strong winds or snowfall
- Seasonal pitch or commercial use

The ladder is intended for attaching to this rooftop tent. The ladder may only be used in conjunction with this rooftop tent and may **not** be used independently.

The ladder is **not** intended for professional use.

This product is only suitable for the intended purpose and application in accordance with these instructions.

This manual provides information that is necessary for proper installation and/or operation of the product. Poor installation and/or improper operating or maintenance will result in unsatisfactory performance and a possible failure.

The manufacturer accepts no liability for any injury or damage to the product resulting from:

- Incorrect assembly or connection, including excess voltage
- Incorrect maintenance or use of spare parts other than original spare parts provided by the manufacturer
- Alterations to the product without express permission from the manufacturer
- Use for purposes other than those described in this manual

Dometic reserves the right to change product appearance and product specifications.

## Technical description

The rooftop tent is equipped with inflatable air poles which can be filled using a single valve.

The ladder attached to the rooftop tent can be fitted to the height of the vehicle.

The rooftop tent includes a high-density foam mattress.

For transport on the rooftop of a vehicle, the rooftop tent can be folded down and covered with the supplied tent cover.

The roof rack on which the rooftop tent is to be installed has to meet the following requirements:

- The roof rack has to be able to carry at least 165 lbs/75 kg to allow for driving with the rooftop tent installed.
- The width of the roof rack has to be at least 27 in/68 cm.
- The two rails of the roof rack have to be between 28 in/70 cm and 50 in/125 cm apart.

## Using the rooftop tent



### WARNING! Risk of injury

- Ensure that the rooftop tent is firmly attached to the roof rack before climbing the ladder.
- Ensure that each step of the ladder is locked before you climb the ladder.
- Always climb the ladder with caution.
- Close the rooftop tent's entrance door before you go to sleep to prevent falling out of the rooftop tent while sleeping.
- If two people use the rooftop tent ensure that they do not both sit in the back or front or on one side of the tent at the same time. The tent may fall down if the weight of two people is on one side of the tent (fig. 33, page 11).
- Before driving with the mounted rooftop tent always ensure that the cover is tied down correctly (fig. 44, page 13).



### CAUTION! Risk of injury

Never open the zipper on the protective sleeve while an air pole is inflated. This will result in the air pole bursting.



### NOTICE! Material damage

- Keep the side window of the rooftop tent open while setting up or folding down the rooftop tent.
- Do not open or close the zippers by force.



### NOTE

Use the integrated storage facilities while using the tent, so that nothing falls down or is forgotten in the tent when it is folded down (fig. 31, page 10).

## Before first use

Familiarize yourself with the product by carrying out a test set up before the product is used for the first time. Check if the scope of delivery is complete.

### Weathering your product before first use

The product is manufactured with materials that require preparation before use to maximize its weatherproofing.

1. Fully set up the product outside when rain is expected or where you can hose the outside of the product to become thoroughly wet.

This process is known as weathering. The weathering process tightens the fabric, and allows the cotton in the sewing thread to swell and fill the holes made by the sewing needle during the manufacturing process.

2. Allow the product to dry thoroughly before packing away.

By following this process before first use, will ensure that the product weatherproofing will improve with subsequent soakings.

## Mounting the rooftop tent



### CAUTION! Risk of injury

- Only lift the rooftop tent onto your vehicle together with another person.
- Ensure that no other persons, especially children, are near the vehicle when you and your helper lift the rooftop tent onto the rooftop of the vehicle.



### NOTE

The side of the rooftop tent where the ladder will be mounted is marked. Ensure to align the rooftop tent so that the driver's door of the vehicle is not blocked by the extended ladder (fig. 4, page 3).

- To mount the rooftop tent proceed as shown (fig. 2, page 3 – fig. 15, page 6).

## Setting up the rooftop tent



### CAUTION! Risk of injury and material damage

- Do not use any type of compressor designed to inflate car tires.
- Only inflate the air poles up to a maximum pressure of 9psi/0.62bar.
- Do not put your fingers in the rung area when setting up or adjusting the ladder.

- To set the rooftop tent up proceed as shown (fig. 16, page 6 – fig. 36, page 11).

## Folding down the rooftop tent



### CAUTION! Risk of crushing

Do not put your fingers in the rung area when pushing the ladder together.

**NOTE**

The blue sliders at the bottom step of the ladder unlock all segments at once so that the ladder can be pushed together (fig. 41, page 13).

- To fold the rooftop tent down proceed as shown (fig. 37, page 12 – fig. 44, page 13).

## Using the gale 12V electric pump

The gale 12V electric pump is equipped with a pressure induction system and switches off automatically as soon as the preset pressure is achieved. The pressure induction system operates with an error margin of  $\pm 0.5$  psi.

**NOTICE! Risk of overheating**

- Ensure that the electric pump is sufficiently ventilated during operation.
- Do not operate the electric pump continuously for longer than 15 min as the motor may overheat. Allow the electric pump to cool down for 30 min after 15 min of continuous use.

**NOTE**

- If no buttons have been pressed for 30 s, the LCD display will go into standby mode. Press any button to reactivate.
- At first it will take time for the pressure reading on the LCD display to increase. This is normal, as a large amount of air is initially required to fill the air frame before a significant change in pressure is detected.

## Using the ladder

**CAUTION! Risk of injury**

Ensure that the locking mechanisms for all extended segments are locked before use of the ladder.

**NOTICE! Damage hazard**



Ensure that the maximum total load of the ladder is not exceeded. The maximum total load is 130 kg/ 287 lbs.

## Setting up the ladder

**CAUTION! Risk of injury**

Observe the recommended set-up angle of  $65^\circ - 75^\circ$  (fig. 22, page 8).

The sliders of the locking mechanisms can be moved to two positions to lock or unlock the segments (fig. 21, page 8):

- Move the sliders on both sides of the ladder onto  to lock the segment (fig. 21 A, page 8).
- Move the sliders on both sides of the ladder onto  to unlock the segment (fig. 21 B, page 8).

## Storing

### Storing the rooftop tent and the ladder

**CAUTION! Risk of injury**

- The ladder can remain mounted on the rooftop tent for storing. Ensure the ladder is pushed together completely and the locking mechanisms for all segments of the ladder are locked.
- When disassembling the ladder from the rooftop tent for storage, ensure that the ladder is stored in a position where it will remain straight (e.g., placed on a flat surface).

**NOTICE! Damage hazard**

The slider and the end caps of the ladder feet are made of plastic. Store the ladder in a place where it is protected from UV radiation.

1. Dismount the rooftop tent from the roof rack.
2. If necessary, clean the rooftop tent and the ladder.
3. Ensure the rooftop tent and the ladder are completely dry before packing away.
4. Store in a well ventilated dry place.

### Storing the gale 12 V electric pump

1. If necessary, clean the gale 12 V electric pump.
2. Insert the plug in the opening provided.
3. Ensure the supply cord and air hose are not trapped or kinked before packing away.
4. Store in a well ventilated dry place.

## Cleaning and maintenance

**WARNING! Risk of injury**

Only clean and maintain the rooftop tent on the ground. Never climb onto the vehicle for cleaning the rooftop tent while the rooftop tent is mounted on the rooftop.

**NOTICE! Damage hazard**

- Do not use sharp or hard objects or cleaning agents for cleaning.
- Do not use alcohol based materials, chemicals, soap and detergents for cleaning.
- Remove bird droppings and tree resin as soon as possible to avoid permanent damage to the material.
- Do not attempt to put any object into the inflation port of the gale 12 V electric pump as these can damage the internal pump mechanism.
- Repair of the ladder shall only be carried out by a competent person.

**NOTE**

- Fully set up the rooftop tent and the ladder for cleaning.
- Choose a sunny day for cleaning to ensure material will dry thoroughly.

- If necessary, clean the rooftop tent and the ladder with clean water and a soft brush.
- Apply impregnation against water and UV radiation on the rooftop tent before each trip.
- Occasionally clean the gale pump with a damp cloth.

### Inspecting the ladder

**CAUTION! Risk of injury**

Do not use the ladder if any of the inspections in the following list cannot be fully satisfied.

Carry out the following inspections after delivery and before each use:

- Check that the ladder or components of the ladder are not bent, dented, excessively worn, corroded or rotten.
- Check that fixings, sliders and end caps of the ladder feet are not missing or loose.
- Check that the sliders engage properly on the rungs.
- Check that the entire ladder is free from contaminants (e.g. mud or snow).

## Troubleshooting



### NOTE

- During first exposure to water there may be some moisture at the seams. Through this moisture the threads will swell and fill the holes that are created in the sewing process.
- A fully equipped spare parts kit should include:
  - Waterproofer
  - Repair tape and repair solution
  - Silicone spray for the zippers

Problem	Solution
Rooftop tent only inflates with difficulties	<ul style="list-style-type: none"> <li>▶ Check that the valve is fully screwed into the air pole.</li> <li>▶ Check if the inflation tube is twisted at the valve. This may be indicated by noise. Untwist the inflation tube.</li> <li>▶ Check that the electric pump is working.</li> </ul>
Part of the rooftop tent does not deflate	<ul style="list-style-type: none"> <li>▶ Check that all isolation valves that connect the air poles are open.</li> </ul>
Air poles are kinked	<ul style="list-style-type: none"> <li>▶ Add more air (9 psi/0.62 bar).</li> </ul>
Air leak	<ul style="list-style-type: none"> <li>▶ Check that the valve is fully screwed into the air pole and the ring seal is in place.</li> <li>▶ Check that the cap of the valve is done up tightly.</li> <li>▶ Check for punctures, see chapter "Repairing a puncture in the air pole" on page 19</li> </ul>
Water leak	<ul style="list-style-type: none"> <li>▶ Check for leaky seams, damaged tapings and moist areas.</li> <li>▶ If you cannot find any leaks, see chapter "Condensation" on page 19.</li> <li>▶ If you find any leaks, apply seam sealant.</li> </ul>
Rip in the fabric	<ul style="list-style-type: none"> <li>▶ Use repair tape to seal the fabric.</li> <li>▶ Have repairs carried out by an authorized specialist.</li> </ul>

## Condensation

All tents suffer from internal condensation if one or more of the following conditions apply:

- High air humidity
- A drop in temperature

Severe condensation can run down the inside of the roof and drip off ties, tapes and other internal fittings and can be mistaken for leaking.

- ▶ Increase ventilation by opening doors and/or windows.

## Repairing a puncture in the air pole

If the air pole loses air, proceed as follows:

1. Unzip the outer sleeve holding the air pole.
  2. If installed, close isolation valves.
  3. Remove the air pole.
  4. Deflate the air pole.
  5. Unzip the protective sleeve to expose the inflatable tube.
  6. Blow some air into the inflatable tube.
  7. Submerge the tube in water.
  8. Locate the puncture.
  9. Use repair tape and repair solution to seal the hole.
  10. Zip the inflatable tube back into the protective sleeve.
  11. Zip the air pole back into the outer sleeve.
- ▶ Also observe the information given in fig. 45, page 14 – fig. 46, page 14.

## Disposal



- ▶ Place the packaging material in the appropriate recycling waste bins wherever possible.
- ▶ Consult a local recycling center or specialist dealer for details about how to dispose of the product in accordance with the applicable disposal regulations.
- ▶ The product can be disposed free of charge.

## Warranty

The statutory warranty period applies. If the product is defective, please contact your retailer or the manufacturer's branch in your country (see [dometic.com/dealer](http://dometic.com/dealer)).

For repair and warranty processing, please include the following documents when you send in the product:

- A copy of the receipt with purchasing date
- A reason for the claim or description of the fault

Note that self-repair or non-professional repair can have safety consequences and might void the warranty.

The warranty covers manufacturing defects, materials and parts. The warranty does not cover fading of the cover and wear and tear due to UV radiation, misuse, accidental damage, storm damage, or permanent, semi-permanent or commercial use. It does not cover any resulting damage. Please contact your dealer for claims. This does not affect your statutory rights.

## Technical data

	TRT 140 AIR
Foam mattress depth	1.3 in/3.2 cm
Anti-condensation layer depth	0.2 in/0.5 cm
Usable interior space (W x H x D)	55 x 43 x 83 in 140 x 110 x 210 cm
Dimensions outer tent (W x H x D)	57 x 47 x 86 in 145 x 120 x 219 cm
Packing dimensions tent (W x H x D)	59 x 13 x 32 in 149 x 33 x 82 cm
Packing dimensions ladder and accessories (W x H x D)	31 x 5 x 20 in 79 x 12 x 49.5 cm
Weight (including ladder)	127.1 lbs/57.65 kg

	Gale 12 V Pump
Voltage	12 V===
Delivery rate	26 gal/100 l/min ± 10%
Operating time	maximum 15 min
Noise emission	32 dB
Dimensions (W x H x D)	11 x 3.5 x 7.9 in/ 280 x 90 x 200 mm
Weight	3.9 lb/1.79 kg

Lesen und befolgen Sie bitte alle Anweisungen, Richtlinien und Warnhinweise in diesem Produkthandbuch sorgfältig, um sicherzustellen, dass Sie das Produkt ordnungsgemäß installieren und stets ordnungsgemäß betreiben und warten. Diese Anleitung MUSS bei dem Produkt verbleiben.

Durch die Verwendung des Produktes bestätigen Sie hiermit, dass Sie alle Anweisungen, Richtlinien und Warnhinweise sorgfältig gelesen haben und dass Sie die hierin dargelegten Bestimmungen verstanden haben und ihnen zustimmen. Sie erklären sich damit einverstanden, dieses Produkt nur für den angegebenen Verwendungszweck und gemäß den Anweisungen, Richtlinien und Warnhinweisen dieses Produkthandbuchs sowie gemäß allen geltenden Gesetzen und Vorschriften zu verwenden. Eine Nichtbeachtung der hierin enthaltenen Anweisungen und Warnhinweise kann zu einer Verletzung Ihrer selbst und anderer Personen, zu Schäden an Ihrem Produkt oder zu Schäden an anderem Eigentum in der Umgebung führen. Dieses Produkthandbuch, einschließlich der Anweisungen, Richtlinien und Warnhinweise, sowie die zugehörige Dokumentation können Änderungen und Aktualisierungen unterliegen. Aktuelle Produktinformationen finden Sie unter [documents.dometic.com](http://documents.dometic.com), [dometic.com](http://dometic.com).

## Erläuterung der Symbole



### GEFAHR!

**Sicherheitshinweis:** Kennzeichnet eine Gefahrensituation, die zum Tod oder schwerer Verletzung führt, wenn die jeweiligen Anweisungen nicht befolgt werden.



### WARNUNG!

**Sicherheitshinweis:** Kennzeichnet eine Gefahrensituation, die zum Tod oder schwerer Verletzung führen könnte, wenn die jeweiligen Anweisungen nicht befolgt werden.



### VORSICHT!

**Sicherheitshinweis:** Kennzeichnet eine Gefahrensituation, die zu geringer oder mittelschwerer Verletzung führen könnte, wenn die jeweiligen Anweisungen nicht befolgt werden.



### ACHTUNG!

Kennzeichnet eine Situation, die zu Sachschäden führen kann, wenn die jeweiligen Anweisungen nicht befolgt werden.



### HINWEIS

Ergänzende Informationen zur Bedienung des Produktes.

## Grundlegende Sicherheitshinweise



**GEFAHR! Nichtbeachtung dieses Hinweises führt zu Tod oder schwerer Verletzung.**

### Gefahr einer Kohlenmonoxidvergiftung

- Verwenden Sie im Inneren des Zeltes niemals ein mit Brennstoff betriebenes Gerät wie Grillgeräte oder Gasheizungen. Bei der Verbrennung entsteht Kohlenmonoxid, das sich im Inneren des Zeltes ansammelt, da es keinen Abzug gibt.



**WARNUNG! Nichtbeachtung dieser Warnungen kann zum Tod oder schwerer Verletzung führen.**

### Brandgefahr

- Machen Sie sich mit den Brandschutzmaßnahmen vor Ort vertraut.
- Kochen Sie nicht im Zelt und verwenden Sie keine offenen Flammen.
- Halten Sie offene Flammen und Wärmequellen vom Zeltuch fern.

### Erstickungsgefahr

- Stellen Sie sicher, dass die Belüftungsöffnungen jederzeit geöffnet sind, um Ersticken zu verhindern.

### Verletzungsgefahr

- Dieses Gerät ist nicht dafür bestimmt, durch Personen (einschließlich Kinder) mit eingeschränkten physischen, sensorischen oder geistigen Fähigkeiten benutzt zu werden.

- Lassen Sie Kinder nicht in der Nähe des Zeltes oder im Zelt spielen und stellen Sie sicher, dass sie bei Verwendung der Leiter vorsichtig sind.
- Reinigung und Pflege dürfen nicht von Kindern ohne Beaufsichtigung durchgeführt werden.
- Beachten Sie stets die Wettervorhersage, bevor Sie das Dachzelt aufstellen und benutzen.
  - Verwenden Sie das Dachzelt nicht, wenn ein Sturm oder ein Gewitter angekündigt ist.
  - Wenn Sie in ein Gewitter geraten, verlassen Sie sofort das Dachzelt und bringen Sie sich in Ihrem Fahrzeug in Sicherheit. Bleiben Sie in Ihrem Fahrzeug, bis das Gewitter vorbei ist, damit Sie nicht vom Blitz getroffen werden.
  - Bei starkem Wind bauen Sie das Dachzelt oder die Leiter nicht auf, benutzen Sie sie nicht und klappen bzw. schieben Sie sie nicht zusammen.
  - Klappen Sie das Dachzelt nicht bei starkem Regen zusammen.
- Verwenden Sie das Dachzelt nicht, wenn ein Teil oder eine Komponente davon sichtbar beschädigt ist. Wenden Sie sich zur Unterstützung an den Hersteller.
- Verwenden Sie nur geprüfte (z. B. GS-geprüfte) Dachträger, die für die Verwendung mit Ihrem Fahrzeug zugelassen sind.
- Vergewissern Sie sich vor der Montage des Dachzelts, dass Ihr Fahrzeug und Ihr Dachträger eine ausreichende Tragfähigkeit für das Dachzelt und die Personen und Gegenstände, die sich im Dachzelt befinden sollen, aufweisen.



### HINWEIS

- Führen Sie die Handbücher des Fahrzeugs und des Dachträgers immer mit sich und befolgen Sie die Anweisungen darin.

## Sicherheit bei Verwendung der Leiter



**VORSICHT! Nichtbeachtung dieser Hinweise kann zu leichten bis mittelschweren Verletzungen führen. Verletzungsgefahr**

- Überprüfen Sie nach der Lieferung und vor jeder Verwendung, ob die Leiter unbeschädigt ist und sicher verwendet werden kann. Verwenden Sie keine beschädigte Leiter.
- Es besteht Sturzgefahr beim Aufsteigen, Herabsteigen und bei der allgemeinen Verwendung der Leiter. Die Verwendung der Leiter muss so erfolgen, dass die Absturzgefahr so gering wie möglich gehalten wird.
  - Halten Sie die Leiter gut fest.
  - Lehnen Sie sich nicht zur Seite.
  - Steigen Sie nur der Leiter zugewandt auf die Leiter auf und davon herab.
- Es darf niemals mehr als eine Person gleichzeitig die Leiter betreten.
- Stellen Sie die Leiter nicht auf unebenem, instabilem oder verschmutztem Untergrund auf.
- Tragen Sie auf der Leiter keine schweren oder unhandlichen Gegenstände.
- Tragen Sie beim Besteigen der Leiter keine ungeeigneten Schuhe.
- Verwenden Sie keine Leiter, die verschmutzt ist, z. B. durch Schlamm oder Schnee.



- Verwenden Sie die Leiter nicht bei physischen Einschränkungen. Bestimmte Gesundheitszustände, die Einnahme von Medikamenten und Alkohol- oder Drogenkonsum können ein Sicherheitsrisiko bei der Verwendung der Leiter darstellen.
- Stellen Sie sicher, dass die Verriegelungsmechanismen für alle ausgezogenen Segmente vor dem Transport, bei jeder Verwendung und bei Lagerung der Leiter verriegelt sind.
- Beachten Sie beim Aufstellen und Verwenden der Leiter die Kollisionsgefahr, z. B. mit Fußgängern, Fahrzeugen oder Türen. Schließen Sie nach Möglichkeit alle Türen (außer Notausgänge) und Fenster im Einsatzbereich.
- Die Leiter oder ihre Komponenten dürfen auf keine Weise verändert werden.



#### **ACHTUNG! Beschädigungsgefahr**

- Beachten Sie die angegebene maximale Gesamttragfähigkeit der Leiter.

### **Sicherheit beim Transport des Dachzelts auf dem Dach eines Fahrzeuges**



#### **WARNUNG! Nichtbeachtung dieser Warnungen kann zum Tod oder schwerer Verletzung führen.**

##### **Verletzungsgefahr**

- Fahren Sie mit dem Dachzelt auf dem Dach Ihres Fahrzeugs nur, wenn das Dachzelt zusammengeklappt und mit der Zeltabdeckung korrekt abgedeckt ist.
- Fahren Sie nicht schneller als 110 km/h (88 mph) mit dem Dachzelt auf dem Dach Ihres Fahrzeugs.
- Prüfen Sie zu Beginn jeder Fahrt und in regelmäßigen Abständen während der Fahrt, ob das Dachzelt fest auf dem Dachgepäckträger angebracht und die Zeltabdeckung sicher befestigt ist. Ein falsch montierter Dachträger oder ein falsch montiertes Dachzelt kann während der Fahrt abfallen und andere Verkehrsteilnehmer verletzen.
- Verstauen Sie die Leiter richtig auf dem zusammengeklappten Dachzelt und unter der Zeltabdeckung, damit die Leiter während der Fahrt nicht herunterfällt und andere Verkehrsteilnehmer verletzt.
- Passen Sie Ihr Fahrverhalten (z. B. Seitenwindempfindlichkeit, Kurvenfahrt und Bremsverhalten) an die veränderte Fahrzeughöhe an.



#### **ACHTUNG! Beschädigungsgefahr**

- Das Dachzelt erhöht die Fahrzeughöhe. Achten Sie auf niedrige Einfahrten, niedrige Brücken, tiefhängende Äste und andere Hindernisse.
- Entfernen Sie das Dachzelt und den Dachgepäckträger, wenn Sie eine automatische Autowaschanlage benutzen.



#### **HINWEIS**

- Beim Fahren mit dem Dachzelt auf dem Fahrzeugdach können Windgeräusche auftreten.

### **Sicherheit beim Betrieb der elektrischen Gale 12-V-Pumpe**



#### **WARNUNG! Nichtbeachtung dieser Warnungen kann zum Tod oder schwerer Verletzung führen.**

##### **Gefahr durch Stromschlag**

- Wenn die Elektropumpe sichtbare Beschädigungen aufweist, dürfen Sie sie nicht in Betrieb nehmen.

- Wenn das Stromversorgungskabel der Elektropumpe beschädigt ist, muss es durch den Hersteller, einen Kundendienstmitarbeiter bzw. eine entsprechend ausgebildete Fachkraft ersetzt werden, um Gefahren zu verhindern.
- Reparaturen an der Elektropumpe dürfen nur von qualifiziertem Personal durchgeführt werden. Durch unsachgemäße Reparaturen können erhebliche Gefahren entstehen.
- Verwenden Sie die Elektroluftpumpe nicht bei Nässe und tauchen Sie sie nicht in Flüssigkeiten ein. Lagern Sie das Gerät an einem trockenen Ort.



#### **VORSICHT! Nichtbeachtung dieser Hinweise kann zu leichten bis mittelschweren Verletzungen führen.**

##### **Gefahr durch Stromschlag**

- Bevor Sie die Elektroluftpumpe in Betrieb nehmen, vergewissern Sie sich, dass das Stromkabel und der Stecker trocken sind und der Stecker frei von Rost oder Fremdkörpern ist.
- Trennen Sie die Elektroluftpumpe von der Stromversorgung
  - vor jeder Reinigung und Pflege
  - Nach jedem Gebrauch

##### **Verletzungsgefahr**

- Dieses Produkt ist nicht für die Benutzung durch Personen (inkl. Kindern) mit eingeschränkten physischen, sensorischen oder mentalen Fähigkeiten oder fehlender Erfahrung und Kenntnis geeignet, es sei denn, diese werden durch eine für ihre Sicherheit verantwortliche Person beaufsichtigt oder wurden hinsichtlich der Benutzung des Produkts eingewiesen.
- Halten Sie Kinder und Haustiere während des Betriebs von der Elektropumpe fern.
- Richten Sie den Luftstrom nicht ins Gesicht oder auf den Körper.
- Beachten Sie den empfohlenen Luftdruck.
- Reinigung und Pflege dürfen nicht von Kindern ohne Beaufsichtigung durchgeführt werden.



#### **ACHTUNG! Beschädigungsgefahr**

- Prüfen Sie, ob die Spannungsangabe auf dem Typenschild mit der vorhandenen Energieversorgung übereinstimmt.
- Schließen Sie die Elektropumpe ausschließlich mit dem Gleichstromkabel an das Gleichstromnetz im Fahrzeug an.
- Stellen Sie das Gerät nicht in der Nähe von offenen Flammen oder anderen Wärmequellen (Heizung, direkte Sonneneinstrahlung Gasöfen usw.) auf.
- Betreiben Sie das Gerät nicht unbeaufsichtigt.
- Ziehen Sie den Stecker nie am Anschlusskabel aus der Steckdose.

### **Lieferumfang**

Komponente	Anzahl
Dachzelt	1
Teleskopleiter	1
PVC-Abdeckung	1
Werkzeugtasche	1
U-förmige Halterung	4
Schraube M8 x 50	8
Schraube M8 x 16	4

Komponente	Anzahl
Unterlegscheibe M8, 1 mm	8
Unterlegscheibe M8 ohne Schraube	12
Unterlegscheibe M8, 1,5 mm	4
Flügelmutter M8	4
Aluminiumprofilplatte	12
Kunststoffradmutter M8	8
Kunststoff-Endkappe	4
Gale 12-V-Elektropumpe	1
Luftschlauch	1
Düsenadapter	6
Aufbewahrungstasche	2
Aufbewahrungsnetz	1
Verlängerungsschlauch (1,4 m)	1

## Zubehör

Als Zubehör erhältlich (nicht im Lieferumfang enthalten):

Komponente	Art.-Nr.
TRT 140 AIR Awning Low	9120002119
TRT 140 AIR Awning Tall	9120002120
Handpumpe	9120000439

## Bestimmungsgemäßer Gebrauch

Dieses Dachzelt ist geeignet für:

- die Montage auf einem geeigneten Dachträger auf dem Dach eines geeigneten Fahrzeugs
- milde bis mäßige Wetterbedingungen
- Reisetouren

Dieses Dachzelt ist **nicht** geeignet für:

- die Nutzung durch Personen mit eingeschränkten körperlichen, sensorischen oder geistigen Fähigkeiten
- sehr starken Wind oder Schneefall
- einen Saisonplatz oder eine kommerzielle Nutzung

Die Leiter ist zur Befestigung an diesem Dachzelt vorgesehen. Die Leiter darf nur in Verbindung mit diesem Dachzelt und **nicht** eigenständig benutzt werden.

Die Leiter ist **nicht** für den professionellen Einsatz vorgesehen.

Dieses Produkt ist nur für den angegebenen Verwendungszweck und die Anwendung gemäß dieser Anleitung geeignet.

Dieses Handbuch enthält Informationen, die für die ordnungsgemäße Installation und/oder den ordnungsgemäßen Betrieb des Produkts erforderlich sind. Installationsfehler und/oder ein nicht ordnungsgemäßer Betrieb oder eine nicht ordnungsgemäße Wartung haben eine unzureichende Leistung und u. U. einen Ausfall des Geräts zur Folge.

Der Hersteller übernimmt keine Haftung für Verletzungen oder Schäden am Produkt, die durch Folgendes entstehen:

- unsachgemäße Montage oder falscher Anschluss, einschließlich Überspannung
- unsachgemäße Wartung oder Verwendung von anderen als den vom Hersteller gelieferten Original-Ersatzteilen
- Veränderungen am Produkt ohne ausdrückliche Genehmigung des Herstellers
- Verwendung für andere als die in der Anleitung beschriebenen Zwecke

Dometic behält sich das Recht vor, das Erscheinungsbild des Produkts und dessen technische Daten zu ändern.

## Technische Beschreibung

Das Dachzelt ist mit aufblasbaren AIR Stangen ausgestattet, die über ein einziges Ventil gefüllt werden können.

Die am Dachzelt befestigte Leiter kann an die Höhe des Fahrzeugs angepasst werden.

Das Dachzelt umfasst eine hochdichte Schaumstoffmatratze.

Für den Transport auf dem Dach eines Fahrzeugs kann das Dachzelt zusammengeklappt und mit der mitgelieferten Zeltplane abgedeckt werden.

Der Dachträger, auf dem das Dachzelt installiert wird, muss die folgenden Anforderungen erfüllen:

- Der Dachträger muss mindestens 75 kg (165 lbs) tragen können, um das Fahren bei installiertem Dachzelt zu ermöglichen.
- Die Breite des Dachträgers muss mindestens 68 cm (27 Zoll) betragen.
- Die beiden Schienen des Dachträgers müssen zwischen 70 cm (28 Zoll) und 125 cm (50 Zoll) voneinander entfernt sein.

## Verwendung des Dachzelts



### WARNUNG! Verletzungsgefahr

- Vergewissern Sie sich, dass das Dachzelt fest mit dem Dachträger verbunden ist, bevor Sie die Leiter besteigen.
- Stellen Sie sicher, dass jede Stufe der Leiter verriegelt ist, bevor Sie die Leiter besteigen.
- Besteigen Sie die Leiter immer mit Vorsicht.
- Schließen Sie die Eingangstür des Dachzelts, bevor Sie schlafen gehen, um ein Herausfallen aus dem Dachzelt während des Schlafens zu verhindern.
- Wenn zwei Personen das Dachzelt benutzen, stellen Sie sicher, dass nicht beide gleichzeitig auf der Vorder- oder der Rückseite bzw. auf einer Seite des Zelts sitzen. Das Zelt kann herunterfallen, wenn sich das Gewicht von zwei Personen auf einer Seite des Zelts befindet (Abb. 33, Seite 11).
- Stellen Sie vor dem Fahren mit montiertem Dachzelt stets sicher, dass die Abdeckung richtig verzurt ist (Abb. 44, Seite 13).



### VORSICHT! Verletzungsgefahr

Öffnen Sie niemals den Reißverschluss der Schutzhülle, während ein AirPole aufgepumpt ist. Dies führt dazu, dass der AirPole platzt.



### ACHTUNG! Materialschaden

- Lassen Sie das Seitenfenster des Dachzelts während des Aufstellens und Zusammenklappens des Dachzelts geöffnet.
- Öffnen oder schließen Sie die Reißverschlüsse nicht mit Gewalt.



### HINWEIS

Nutzen Sie beim Gebrauch des Zelts die integrierten Aufbewahrungsmöglichkeiten, damit beim Zusammenklappen des Zelts nichts herunterfällt oder im Zelt vergessen wird (Abb. 31, Seite 10).

## Vor dem ersten Gebrauch

Machen Sie sich mit dem Produkt vertraut, indem Sie einen Testaufbau durchführen, bevor Sie das Produkt zum ersten Mal verwenden. Prüfen Sie, ob die Lieferung vollständig ist.

### Herstellen der Wetterfestigkeit des Produkts vor der ersten Verwendung

Das Produkt besteht aus Materialien, die vor der Verwendung aufbereitet werden müssen, um die Wetterfestigkeit zu maximieren.

1. Bauen Sie das Produkt im Freien, wenn Regen zu erwarten ist, oder an einem Ort vollständig auf, an dem Sie die Außenseite des Produkts mit einem Schlauch abspritzen können, so dass sie gründlich nass wird.

Dieser Prozess wird auch als „Bewitterung“ bezeichnet. Durch den Bewitterungsprozess wird das Gewebe gestrafft und die Baumwolle in der Naht kann aufquellen und die Löcher füllen, die während des Herstellungsprozesses von der Nähnadel erzeugt wurden.

2. Lassen Sie das Produkt gründlich trocknen, bevor Sie es wieder verstauen.

Das Durchführen dieses Prozesses vor der ersten Verwendung stellt sicher, dass sich die Wetterfestigkeit des Produkts bei einem nachfolgenden Nasswerden verbessert.

## Montage des Dachzelts



### VORSICHT! Verletzungsgefahr

- Heben Sie das Dachzelt immer zusammen mit einer anderen Person auf das Fahrzeug.
- Achten Sie darauf, dass sich keine anderen Personen, insbesondere Kinder, in der Nähe des Fahrzeugs befinden, wenn Sie und Ihr Helfer das Dachzelt auf das Fahrzeugdach heben.



### HINWEIS

Die Seite des Dachzelts, auf der die Leiter montiert wird, ist markiert. Richten Sie das Dachzelt so aus, dass die Fahrertür des Fahrzeugs nicht durch die ausgefahrene Leiter blockiert wird (Abb. 4, Seite 3).

- Gehen Sie wie gezeigt vor, um das Dachzelt zu montieren (Abb. 2, Seite 3 – Abb. 15, Seite 6).

## Aufstellen des Dachzelts



### VORSICHT! Gefahr von Verletzungen und Sachschäden

- Verwenden Sie keine Kompressoren, die zum Aufpumpen von Autoreifen bestimmt sind.
- Pumpen Sie die AIR Stangen nur bis zu einem maximalen Druck von 0,62 bar (9 psi) auf.
- Bringen Sie beim Aufstellen oder Verstellen der Leiter nicht die Finger in den Sprossenbereich.

- Gehen Sie wie gezeigt vor, um das Dachzelt aufzustellen (Abb. 16, Seite 6 – Abb. 36, Seite 11).

## Zusammenklappen des Dachzelts



### VORSICHT! Quetschgefahr

Bringen Sie beim Zusammenschieben der Leiter nicht die Finger in den Sprossenbereich.



### HINWEIS

Mit den blauen Schiebeelementen an der untersten Stufe der Leiter lassen sich alle Segmente gleichzeitig entriegeln, sodass die Leiter zusammengeschoben werden kann (Abb. 41, Seite 13).

- Gehen Sie wie gezeigt vor, um das Dachzelt zusammenzuklappen (Abb. 37, Seite 12 – Abb. 44, Seite 13).

## Verwendung der Gale 12-V-Elektropumpe

Die Gale 12-V-Elektropumpe ist mit einem Druckinduktionssystem ausgestattet und schaltet sich automatisch ab, sobald der voreingestellte Druck erreicht ist. Das Druckinduktionssystem arbeitet mit einer Fehlerspanne von  $\pm 0,5$  psi.



### ACHTUNG! Überhitzungsgefahr

- Stellen Sie sicher, dass die Elektropumpe während des Betriebs ausreichend belüftet wird.
- Setzen Sie die Elektropumpe nicht länger als 15 Minuten am Stück ein, da ihr Motor überhitzen könnte. Lassen Sie die Elektropumpe nach 15 Minuten Dauerbetrieb 30 Minuten lang abkühlen.



### HINWEIS

- Wenn 30 Sekunden lang keine Taste gedrückt wurde, wechselt die LCD-Anzeige in den Bereitschaftszustand. Drücken Sie eine beliebige Taste, um die Anzeige wieder einzuschalten.
- Es wird zunächst einige Zeit dauern, bis sich der auf der LCD-Anzeige angezeigte Druck erhöht. Dies ist normal, da zunächst eine große Luftmenge erforderlich ist, um den AIR Rahmen zu füllen, bevor eine signifikante Druckänderung erkannt wird.

## Verwendung der Leiter



### VORSICHT! Verletzungsgefahr

Stellen Sie sicher, dass die Verriegelungsmechanismen für alle ausgezogenen Segmente verriegelt sind, bevor Sie die Leiter verwenden.



### ACHTUNG! Beschädigungsgefahr

Stellen Sie sicher, dass die maximale Gesamttragfähigkeit der Leiter nicht überschritten wird. Die maximale Gesamttragfähigkeit beträgt 130 kg/287 lbs.



## Aufstellen der Leiter



### VORSICHT! Verletzungsgefahr

Beachten Sie den empfohlenen Einstellwinkel von  $65^\circ - 75^\circ$  (Abb. 22, Seite 8).

Die Schiebeelemente der Verriegelungsmechanismen können in zwei Positionen verschoben werden, um die Segmente zu ver- bzw. entriegeln (Abb. 21, Seite 8):

- Bewegen Sie die Schiebeelemente auf beiden Seiten der Leiter auf , um das Segment zu verriegeln (Abb. 21 A, Seite 8).
- Bewegen Sie die Schiebeelemente auf beiden Seiten der Leiter auf , um das Segment zu entriegeln (Abb. 21 B, Seite 8).

## Verstauen

### Lagerung des Dachzelts und der Leiter



#### VORSICHT! Verletzungsgefahr

- Die Leiter kann zur Lagerung auf dem Dachzelt montiert bleiben. Stellen Sie sicher, dass die Leiter vollständig zusammengeschoben ist und die Verriegelungsmechanismen für alle Segmente der Leiter verriegelt sind.
- Wenn Sie die Leiter zur Lagerung vom Dachzelt abmontieren, stellen Sie sicher, dass sie in einer Position gelagert wird, in der sie gerade bleibt (z. B. auf einer ebenen Fläche).



#### ACHTUNG! Beschädigungsgefahr

Das Schiebeelement und die Endkappen der Leiterfüße bestehen aus Kunststoff. Lagern Sie die Leiter an einem Ort, an dem sie vor UV-Strahlung geschützt ist.

1. Demontieren Sie das Dachzelt vom Dachgepäckträger.
2. Reinigen Sie bei Bedarf das Dachzelt und die Leiter.
3. Stellen Sie vor dem Verstauen sicher, dass das Dachzelt und die Leiter vollständig trocken sind.
4. Lagern Sie es an einem gut belüfteten, trockenen Ort.

### Lagerung der Gale 12-V-Elektropumpe

1. Reinigen Sie bei Bedarf die Gale 12-V-Elektropumpe.
2. Stecken Sie den Stopfen in die dafür vorgesehene Öffnung.
3. Stellen Sie vor dem Verstauen sicher, dass das Netzkabel und der Luftschlauch nicht eingeklemmt oder abgeknickt sind.
4. Lagern Sie es an einem gut belüfteten, trockenen Ort.

## Reinigung und Pflege



#### WARNUNG! Verletzungsgefahr

Reinigen und pflegen Sie das Dachzelt nur auf dem Boden. Reinigen Sie das Dachzelt niemals auf dem Fahrzeug und während das Dachzelt auf dem Dach montiert ist.



#### ACHTUNG! Beschädigungsgefahr

- Verwenden Sie zur Reinigung keine scharfen oder harten Gegenstände oder Reinigungsmittel.
- Verwenden Sie zur Reinigung keine Materialien auf Alkohobasis, Chemikalien, Seife und Reinigungsmittel.
- Entfernen Sie Vogelkot und Baumharz so schnell wie möglich, um dauerhafte Schäden am Material zu vermeiden.
- Stecken Sie keine Gegenstände in den Aufblasanschluss der Gale 12-V-Elektropumpe, da dies den internen Pumpenmechanismus beschädigen könnte.
- Die Reparatur der Leiter darf nur von einer qualifizierten Person durchgeführt werden.



#### HINWEIS

- Bauen Sie das Dachzelt und die Leiter zur Reinigung vollständig auf.
- Wählen Sie einen sonnigen Tag für die Reinigung, um sicherzustellen, dass das Material gründlich trocknet.

- Reinigen Sie bei Bedarf das Dachzelt und die Leiter mit sauberem Wasser und einer weichen Bürste.
- Tragen Sie vor jeder Fahrt eine Imprägnierung gegen Wasser und UV-Strahlung auf das Dachzelt auf.
- Reinigen Sie die Gale Pumpe gelegentlich mit einem feuchten Tuch.

## Überprüfen der Leiter



#### VORSICHT! Verletzungsgefahr

Verwenden Sie die Leiter nicht, wenn eine der Überprüfungen in der folgenden Liste nicht vollständig zufriedenstellend ist.

Führen Sie nach der Lieferung und vor jeder Verwendung folgende Überprüfungen durch:

- Überprüfen Sie, dass die Leiter oder Teile der Leiter nicht verbogen, eingedrückt, übermäßig abgenutzt, korrodiert oder verrostet sind.
- Überprüfen Sie, dass keine Befestigungselemente, Schiebeelemente und Endkappen der Leiterfüße fehlen oder lose sind.
- Überprüfen Sie, ob die Schiebeelemente ordnungsgemäß an den Sprossen einrasten.
- Überprüfen Sie, ob die gesamte Leiter frei von Verunreinigungen (z. B. Schlamm oder Schnee) ist.

## Fehlersuche und Fehlerbehebung



#### HINWEIS

- Beim ersten Kontakt mit Wasser kann sich an den Nähten etwas Feuchtigkeit bilden. Durch diese Feuchtigkeit quellen die Fäden auf und füllen die Löcher, die beim Nähen entstehen.
- Ein vollständig ausgestattetes Ersatzteilset enthält:
  - Imprägniermittel
  - Reparaturband und Reparaturlösung
  - Silikonspray für die Reißverschlüsse

Problem	Lösung
Das Dachzelt lässt sich nur schwer aufpumpen	<ul style="list-style-type: none"><li>➤ Überprüfen Sie, ob das Ventil vollständig in den AirPole eingeschraubt ist.</li><li>➤ Überprüfen Sie, ob der Luftschlauch am Ventil verdreht ist. Ein Geräusch kann darauf hinweisen. Drehen Sie den Luftschlauch in die richtige Position.</li><li>➤ Überprüfen Sie, ob die Elektropumpe funktioniert.</li></ul>
Ein Teil des Dachzelts entleert sich nicht	<ul style="list-style-type: none"><li>➤ Überprüfen Sie, ob alle Absperrventile, die die AirPoles verbinden, geöffnet sind.</li></ul>
Die AirPoles sind geknickt	<ul style="list-style-type: none"><li>➤ Pumpen Sie mehr Luft ein (9 psi/0,62 bar).</li></ul>
Luft entweicht	<ul style="list-style-type: none"><li>➤ Überprüfen Sie, ob das Ventil vollständig in den AirPole eingeschraubt ist und die Ringdichtung richtig sitzt.</li><li>➤ Überprüfen Sie, ob die Ventilkappe fest zuge dreht ist.</li><li>➤ Überprüfen Sie, ob Löcher vorhanden sind, siehe Kapitel „Reparatur eines Lochs im AirPole“ auf Seite 25.</li></ul>
Wasserleck	<ul style="list-style-type: none"><li>➤ Prüfen Sie das Vorzelt auf undichte Nähte, beschädigte Anschlüsse und feuchte Bereiche.</li><li>➤ Wenn Sie keine undichten Stellen finden, siehe Kapitel „Kondenswasserbildung“ auf Seite 25.</li><li>➤ Wenn Sie eine undichte Stelle finden, tragen Sie Nahtdichtungsmittel auf.</li></ul>
Riss im Gewebe	<ul style="list-style-type: none"><li>➤ Reparieren Sie das Loch mit Reparaturband.</li><li>➤ Lassen Sie Reparaturen von autorisiertem Fachpersonal durchführen.</li></ul>

## Kondenswasserbildung

Bei allen Zelten bildet sich Kondenswasser im Innenraum, wenn eine oder mehrere der folgenden Bedingungen zutreffen:

- Hohe Luftfeuchtigkeit
- Ein Abfall der Temperatur

Bei starker Kondenswasserbildung kann dieses an der Innenseite des Daches herunterlaufen und von Schnüren, Bändern und anderen Innenelementen herunter tropfen; dies kann mit einer undichten Stelle verwechselt werden.

- ▶ Sorgen Sie für eine bessere Belüftung durch Öffnen von Türen und/oder Fenstern.

## Reparatur eines Lochs im AirPole

Wenn der AirPole Luft verliert, gehen Sie wie folgt vor:

1. Öffnen Sie den Reißverschluss der Außenhülle und halten Sie den AirPole dabei fest.
  2. Schließen Sie die Absperrventile, falls vorhanden.
  3. Entnehmen Sie den AirPole.
  4. Lassen Sie die Luft aus dem AirPole ab.
  5. Öffnen Sie den Reißverschluss der Schutzhülle, um den Luftschlauch freizulegen.
  6. Pumpen Sie etwas Luft in den Luftschlauch.
  7. Tauchen Sie den Luftschlauch in Wasser ein.
  8. Suchen Sie das Loch.
  9. Dichten Sie das Loch mit Reparaturband und Reparaturlösung ab.
  10. Setzen Sie den Luftschlauch wieder in die Schutzhülle ein und schließen Sie den Reißverschluss.
  11. Setzen Sie den AirPole wieder in die Außenhülle ein und schließen Sie den Reißverschluss.
- ▶ Beachten Sie auch die Informationen in Abb. 45, Seite 14 bis Abb. 46, Seite 14.

## Entsorgung



- ▶ Geben Sie das Verpackungsmaterial möglichst in den entsprechenden Recycling-Müll.
- ▶ Wenden Sie sich an ein örtliches Recyclingzentrum oder einen Fachhändler, um zu erfahren, wie Sie das Produkt gemäß den geltenden Entsorgungsvorschriften entsorgen können.
- ▶ Das Produkt kann kostenlos entsorgt werden.

## Garantie

Es gilt die gesetzliche Gewährleistungsfrist. Sollte das Produkt defekt sein, wenden Sie sich bitte an Ihren Fachhändler oder die Niederlassung des Herstellers in Ihrem Land (siehe [dometic.com/dealer](http://dometic.com/dealer)).

Bitte senden Sie bei einem Reparatur- bzw. Gewährleistungsantrag folgende Unterlagen mit dem Produkt ein:

- eine Kopie der Rechnung mit Kaufdatum
- einen Reklamationsgrund oder eine Fehlerbeschreibung

Bitte beachten Sie, dass eigenständig oder nicht fachgerecht durchgeführte Reparaturen die Sicherheit gefährden und zum Erlöschen der Garantie führen können.

Die Gewährleistung deckt Herstellungsfehler, Materialien und Teile ab. Die Gewährleistung erstreckt sich nicht auf das Ausbleichen des Bezugs und die Abnutzung durch UV-Strahlung, fehlerhafte Verwendung, versehentliche Beschädigung, Sturmschäden, eine Nutzung auf Dauer- und Saisonstellplätzen oder eine kommerzielle Nutzung. Sie deckt keine daraus resultierenden Schäden ab. Bitte wenden Sie sich an Ihren Händler, um Ansprüche geltend zu machen. Dies beeinflusst nicht Ihre gesetzlichen Rechte.

## Technische Daten

	<b>TRT 140 AIR</b>
Tiefe der Schaumstoffmatratze	3,2 cm/1,3 Zoll
Tiefe der Antikondensationsschicht	0,5 cm/0,2 Zoll
Nutzbarer Innenraum (B x H x T)	55 x 43 x 83 Zoll 140 x 110 x 210 cm
Abmessungen Außenzelt (B x H x T)	57 x 47 x 86 Zoll 145 x 120 x 219 cm
Packstückgröße Zelt (B x H x T)	59 x 13 x 32 Zoll 149 x 33 x 82 cm
Packstückgröße Leiter und Zubehör (B x H x T)	31 x 5 x 20 Zoll 79 x 12 x 49,5 cm
Gewicht (inkl. Leiter)	57,65 kg/127,1 lbs

	<b>Gale 12-V-Pumpe</b>
Spannung	12 V=
Förderrate	100 l/26 gal/min ±10%
Betriebsdauer	Maximal 15 Min.
Geräuschemission	32 dB
Abmessungen (B x H x T)	11 x 3,5 x 7,9 Zoll/ 280 x 90 x 200 mm
Gewicht	1,79 kg/ 3,9 lb

Veillez lire et suivre attentivement l'ensemble des instructions, directives et avertissements figurant dans ce manuel afin d'installer, d'utiliser et d'entretenir le produit correctement à tout moment. Ces instructions DOIVENT rester avec le produit.

En utilisant ce produit, vous confirmez expressément avoir lu attentivement l'ensemble des instructions, directives et avertissements et que vous comprenez et acceptez de respecter les modalités et conditions énoncées dans le présent document. Vous acceptez d'utiliser ce produit uniquement pour l'usage et l'application prévus et conformément aux instructions, directives et avertissements figurant dans le présent manuel, ainsi qu'à toutes les lois et réglementations applicables. En cas de non-respect des instructions et avertissements figurant dans ce manuel, vous risquez de vous blesser ou de blesser d'autres personnes, d'endommager votre produit ou d'endommager d'autres biens à proximité. Le présent manuel produit, y compris les instructions, directives et avertissements, ainsi que la documentation associée peuvent faire l'objet de modifications et de mises à jour. Pour obtenir des informations actualisées sur le produit, veuillez consulter le site documents.domestic.com, domestic.com.

## Signification des symboles



### DANGER !

**Consignes de sécurité :** indiquent une situation dangereuse qui, si elle n'est pas évitée, entraînera des blessures graves, voire mortelles.



### AVERTISSEMENT !

**Consignes de sécurité :** indiquent une situation dangereuse qui, si elle n'est pas évitée, est susceptible d'entraîner des blessures graves, voire mortelles.



### ATTENTION !

**Consignes de sécurité :** indiquent une situation dangereuse qui, si elle n'est pas évitée, est susceptible d'entraîner des blessures légères ou de gravité modérée.



### AVIS !

indiquent une situation dangereuse qui, si elle n'est pas évitée, peut entraîner des dommages matériels.



### REMARQUE

Informations complémentaires sur l'utilisation de ce produit.

## Consignes générales de sécurité



**DANGER ! Le non-respect des présentes instructions peut entraîner des blessures graves, voire mortelles.**

**Risque d'empoisonnement au monoxyde de carbone**

- N'utilisez jamais un appareil à combustible comme un barbecue ou un chauffage au gaz à l'intérieur de la tente. Le processus de combustion produit du monoxyde de carbone qui s'accumule à l'intérieur de la tente car il n'y a pas de conduit de fumée.



**AVERTISSEMENT ! Le non-respect de ces mises en garde peut entraîner des blessures graves, voire mortelles.**

**Risque d'incendie**

- Assurez-vous de connaître les consignes de prévention incendie sur le site.
- Ne cuisinez pas dans la tente et n'utilisez pas de flammes nues.
- Tenez ce tissu de tente à l'écart de toute flamme ou source de chaleur.

**Risque d'étouffement**

- Veillez à ce que les ouvertures de ventilation soient ouvertes en permanence pour éviter toute asphyxie.

**Risque de blessure**

- Cet appareil n'est pas destiné à être utilisé par des personnes (y compris des enfants) dont les capacités physiques, sensorielles ou mentales sont réduites.
- Ne laissez pas les enfants jouer autour ou dans la tente et veillez à ce qu'ils soient prudents lors de l'utilisation de l'échelle.

- Le nettoyage et la maintenance ne doivent pas être effectués par des enfants sans surveillance.
- Consultez toujours les prévisions météorologiques avant de monter et d'utiliser la tente de toit.
  - N'utilisez pas la tente de toit si une tempête ou un orage est annoncé.
  - Si vous êtes surpris par un orage, quittez immédiatement la tente de toit et mettez-vous à l'abri dans votre véhicule. Restez dans votre véhicule jusqu'à la fin de l'orage pour éviter d'être frappé par la foudre.
  - Ne montez pas, n'utilisez pas et ne repliez pas la tente de toit ou l'échelle en présence de vents violents.
  - Ne repliez pas la tente de toit en cas de forte pluie.
- N'utilisez pas la tente de toit si une partie de celle-ci ou l'un de ses composants est visiblement endommagé. Contactez le fabricant pour obtenir de l'aide.
- Utilisez uniquement des barres de toit testées (par exemple, dotées du label GS) et homologuées pour votre véhicule.
- Avant de monter la tente de toit, assurez-vous que votre véhicule et votre galerie de toit offrent une capacité de charge suffisante pour la tente de toit et les personnes et objets destinés à se trouver à l'intérieur de la tente de toit.



### REMARQUE

- Gardez toujours avec vous les manuels du véhicule et de la galerie de toit et suivez leurs instructions.

## Utilisation sécurisée de l'échelle



**ATTENTION ! Le non-respect de ces mises en garde peut entraîner des blessures légères ou de gravité modérée.**

**Risque de blessure**

- Après la livraison et avant chaque utilisation, vérifiez que l'échelle n'est pas endommagée et qu'elle peut être utilisée en toute sécurité. N'utilisez pas l'échelle si elle est endommagée.
- Il existe un risque de chute lors de la montée, de la descente et de l'utilisation générale de l'échelle. L'échelle doit être utilisée de manière à réduire au maximum le risque de chute.
  - Maintenez une bonne prise sur l'échelle.
  - Ne vous penchez pas sur le côté.
  - Montez et descendez uniquement face à l'échelle.
- Ne montez pas sur l'échelle à plusieurs.
- Ne montez pas l'échelle sur un sol irrégulier, instable ou couvert d'impuretés.
- Ne portez pas d'équipement lourd ou difficile à manipuler lors de l'utilisation de l'échelle.
- Ne portez pas de chaussures inappropriées lorsque vous montez sur l'échelle.
- N'utilisez pas l'échelle si elle est sale ; par exemple si elle est couverte de boue ou de neige.
- N'utilisez pas l'échelle en cas de déficiences physiques. Certains états de santé, la consommation de médicaments, l'abus d'alcool ou de drogues peuvent entraîner un risque de sécurité lors de l'utilisation de l'échelle.
- Assurez-vous que les mécanismes de verrouillage de tous les segments déployés sont verrouillés avant de transporter, d'utiliser et de ranger l'échelle.
- Lors de l'installation et de l'utilisation de l'échelle, soyez conscient du risque de collision, par exemple avec des piétons, des véhicules ou des portes. Fermez les portes (sauf les issues de secours) et les fenêtres de la zone d'utilisation, si possible.
- Ne modifiez pas l'échelle ou l'un de ses composants de quelque manière que ce soit.



### AVIS ! Risque d'endommagement

- Respectez la charge totale maximale spécifiée pour l'échelle.

## Transport sécurisé de la tente de toit sur le toit d'un véhicule



**AVERTISSEMENT ! Le non-respect de ces mises en garde peut entraîner des blessures graves, voire mortelles.**

### Risque de blessure

- Roulez uniquement avec la tente de toit sur le toit de votre véhicule si elle est repliée et correctement protégée par la couverture de tente.
- Ne roulez pas à plus de 110 km/h (88 mph) lorsque la tente de toit est montée sur le toit du véhicule.
- Au début de chaque voyage et à intervalles réguliers au cours des trajets, vérifiez que la tente de toit est solidement attachée à la galerie de toit et que la toile de tente est bien fixée. Une galerie de toit ou une tente de toit mal montée peut tomber pendant le trajet et blesser d'autres usagers de la route.
- Rangez correctement l'échelle au-dessus de la tente de toit pliée et sous la couverture de tente pour éviter que l'échelle ne tombe et ne blesse d'autres automobilistes pendant le trajet.
- Adaptez votre conduite (par exemple, sensibilité au vent de travers, comportement dans les virages et freinage) pour tenir compte du changement de hauteur du véhicule.



### AVIS ! Risque d'endommagement

- La tente de toit augmente la hauteur du véhicule. Prenez garde aux entrées, ponts, branches d'arbre et autres obstacles bas.
- Retirez la tente de toit et la galerie de toit lorsque vous utilisez un lave-auto automatique.



### REMARQUE

- Un bruit de vent peut se faire entendre lorsque vous conduisez avec la tente de toit sur le toit d'un véhicule.

## Utilisation sécurisée de la pompe électrique Gale 12 V



**AVERTISSEMENT ! Le non-respect de ces mises en garde peut entraîner des blessures graves, voire mortelles.**

### Risque d'électrocution

- N'utilisez pas la pompe électrique si elle présente des dégâts visibles.
- Si le câble d'alimentation de la pompe électrique est endommagé, il doit être remplacé par le fabricant, un agent de service ou une personne de qualification similaire, afin d'éviter tout danger.
- Seul un opérateur qualifié est habilité à effectuer des réparations sur cette pompe électrique. Des réparations inadéquates peuvent engendrer des risques considérables.
- N'utilisez pas la pompe à air électrique dans des conditions humides et ne la plongez pas dans un liquide. Stockez l'appareil dans un endroit sec.



**ATTENTION ! Le non-respect de ces mises en garde peut entraîner des blessures légères ou de gravité modérée.**

### Risque d'électrocution

- Avant d'allumer la pompe à air électrique, assurez-vous que le câble d'alimentation et le connecteur sont secs et que le connecteur est exempt de rouille ou de corps étrangers.
- Débranchez la pompe à air électrique de l'alimentation
  - Avant toute opération de nettoyage et d'entretien
  - Après chaque utilisation

### Risque de blessure

- Cet appareil ne doit pas être utilisé par des personnes (y compris les enfants) souffrant de déficiences physiques, sensorielles ou mentales ou manquant d'expérience ou de connaissances, sauf si une personne garante de leur sécurité les surveille ou leur fournit toutes les instructions adéquates concernant son utilisation.
- Gardez les enfants et les animaux à l'écart de la pompe électrique pendant son fonctionnement.
- Ne dirigez pas le flux d'air vers le visage ou le corps.
- Respectez la pression d'air recommandée.
- Le nettoyage et la maintenance ne doivent pas être effectués par des enfants sans surveillance.



### AVIS ! Risque d'endommagement

- Vérifiez que la tension indiquée sur la plaque signalétique correspond à l'alimentation électrique dont vous disposez.
- Branchez uniquement la pompe électrique à l'alimentation CC du véhicule à l'aide du câble d'alimentation CC.
- Ne montez pas l'appareil près de flammes nues ou d'autres sources de chaleur (chauffage, fours à gaz, etc.).
- Ne laissez pas l'appareil fonctionner sans surveillance.
- Ne tirez jamais sur le câble de raccordement pour sortir la fiche de la prise.

## Contenu de la livraison

Composant	Quantité
Tente de toit	1
Échelle télescopique	1
Couvercle en PVC	1
Sac à outils	1
Support en U	4
Boulon M8 x 50	8
Vis M8 x 16	4
Rondelle M8 x 1 mm	8
Rondelle lisse M8	12
Rondelle M8 x 1,5 mm	4
Écrou papillon M8	4
Tôle d'aluminium	12
Molette filetée M8 en plastique	8
Capuchon en plastique	4
Pompe électrique Gale 12 V	1
Flexible pneumatique	1
Adaptateur de buse	6
Poche du sac de rangement	2

Composant	Quantité
Filet de rangement	1
Tuyau d'extension (1,4 m)	1

## Accessoires

Disponibles comme accessoires (non compris dans la livraison) :

Composant	N° d'article
TRT 140 AIR Awning Low	9120002119
TRT 140 AIR Awning Tall	9120002120
Pompe manuelle	9120000439

## Usage conforme

Cette tente de toit est adaptée à ce qui suit :

- montage sur une galerie adaptée installée sur le toit d'un véhicule
- intempéries légères à modérées
- excursions

Cette tente de toit n'est **pas** adaptée à ce qui suit :

- utilisation par des personnes aux capacités physiques, sensorielles ou mentales réduites
- vents très forts ou chutes de neige
- emplacement saisonnier ou usage commercial

L'échelle est conçue pour être fixée à cette tente de toit. L'échelle peut uniquement être utilisée avec cette tente de toit et ne doit **pas** être utilisée indépendamment.

L'échelle n'est **pas** destinée à un usage professionnel.

Ce produit convient uniquement à l'usage et à l'application prévus, conformément au présent manuel d'instructions.

Ce manuel fournit les informations nécessaires à l'installation et/ou à l'utilisation correcte du produit. Une installation, une utilisation ou un entretien inappropriés entraînera des performances insatisfaisantes et une éventuelle défaillance.

Le fabricant décline toute responsabilité en cas de blessure ou de dommage résultant :

- d'un montage ou d'un raccordement incorrect, y compris d'une surtension
- d'un entretien inadapté ou de l'utilisation de pièces de rechange autres que les pièces de rechange d'origine fournies par le fabricant
- de modifications apportées au produit sans autorisation explicite du fabricant
- d'usages différents de ceux décrits dans ce manuel.

Dometic se réserve le droit de modifier l'apparence et les spécifications produit.

## Description technique

La tente de toit est équipée de poteaux gonflables à l'aide d'une seule valve.

L'échelle fixée à la tente de toit peut être montée à hauteur du véhicule.

La tente de toit comprend un matelas en mousse haute densité.

Pour le transport sur le toit d'un véhicule, la tente de toit peut être repliée et recouverte avec la toile de tente fournie.

La galerie de toit sur laquelle la tente de toit doit être installée doit répondre aux exigences suivantes :

- La galerie de toit doit pouvoir supporter au moins 75 kg (165 lb) pour permettre la conduite avec la tente de toit installée.

- La largeur de la galerie de toit doit être d'au moins 68 cm (27 po.).
- Les deux rails de la galerie de toit doivent être espacés de 70 cm (28 po.) à 125 cm (50 po.).

## Utilisation de la tente de toit



### AVERTISSEMENT ! Risque de blessure

- Assurez-vous que la tente de toit est fermement fixée à la galerie avant de monter sur l'échelle.
- Assurez-vous que chaque marche de l'échelle est verrouillée avant de monter sur l'échelle.
- Montez toujours sur l'échelle avec précaution.
- Fermez la porte d'entrée de la tente de toit avant de vous coucher pour éviter de tomber de la tente de toit pendant votre sommeil.
- Si deux personnes utilisent la tente de toit, assurez-vous qu'elles ne s'assoient pas toutes les deux à l'arrière, à l'avant ou sur un côté de la tente en même temps. La tente peut tomber si le poids de deux personnes se trouve d'un côté de la tente (fig. 33, page 11).
- Avant de conduire avec la tente montée sur le toit, assurez-vous toujours que le couvercle est correctement fixé (fig. 44, page 13).



### ATTENTION ! Risque de blessure

N'ouvrez jamais la fermeture éclair de la housse de protection lorsqu'un tube d'air est gonflé. Cela entraînerait l'éclatement du tube d'air.



### AVIS ! Dommages matériels

- Laissez la fenêtre latérale de la tente de toit ouverte lorsque vous la montez ou que vous la repliez.
- N'ouvrez pas et ne fermez pas les fermetures éclair par la force.



### REMARQUE

Utilisez les rangements intégrés, afin que rien ne tombe ou ne soit oublié dans la tente lorsqu'elle est repliée (fig. 31, page 10).

## Avant la première utilisation

Familiarisez-vous avec le produit en effectuant un test de mise en place avant la première utilisation du produit. Vérifiez si l'étendue de la livraison est complète.

### Exposition de votre produit avant la première utilisation

Le produit est fabriqué avec des matériaux qui nécessitent une préparation avant utilisation afin d'optimiser son étanchéité.

1. Installez complètement le produit à l'extérieur en cas de prévision de pluie ou à un endroit où vous pouvez arroser l'extérieur du produit pour l'imbiber d'eau.

Ce processus est appelé « exposition ». Le processus d'exposition resserre les mailles du tissu et permet aux fils de coton de gonfler afin de combler les trous laissés par l'aiguille lors du processus de fabrication.

2. Laissez le produit sécher complètement avant de le ranger.

Suivre ce processus avant la première utilisation permet de garantir que l'étanchéité du produit s'améliorera au fil des intempéries.



## Montage de la tente de toit



### ATTENTION ! Risque de blessure

- Faites toujours appel à une autre personne pour soulever la tente du toit afin de l'installer sur le véhicule.
- Assurez-vous qu'aucune autre personne, en particulier des enfants, ne se trouve à proximité lorsque vous et votre assistant levez la tente de toit pour l'installer sur le toit du véhicule.



### REMARQUE

Le côté de la tente de toit où l'échelle sera montée est marqué. Veillez à aligner la tente de toit de manière à ce que la porte conducteur du véhicule ne soit pas bloquée par l'échelle déployée (fig. 4, page 3).

- Pour monter la tente de toit, procédez comme indiqué (fig. 2, page 3 – fig. 15, page 6).

## Déploiement de la tente de toit



### ATTENTION ! Risque de blessure et de dommage matériel

- N'utilisez pas de compresseurs conçus pour gonfler les pneus de voiture.
- Gonflez uniquement les poteaux à une pression maximale de 0,62 bar/9 psi.
- Ne mettez pas les doigts à proximité des barreaux lors de l'installation ou du réglage de l'échelle.

- Pour monter la tente de toit, procédez comme indiqué (fig. 16, page 6 – fig. 36, page 11).

## Pliage de la tente de toit



### ATTENTION ! Risque d'écrasement

Ne mettez pas les doigts à proximité des barreaux lorsque vous repliez l'échelle.



### REMARQUE

Les loquets bleus situés sur le barreau inférieur de l'échelle déverrouillent tous les segments en même temps afin que l'échelle puisse être repliée (fig. 41, page 13).

- Pour replier la tente de toit, procédez comme indiqué (fig. 37, page 12 – fig. 44, page 13).

## Utilisation de la pompe électrique Gale 12 V

La pompe électrique Gale 12 V est équipée d'un système d'induction de pression et s'arrête automatiquement dès que la pression prédéfinie est atteinte. Le système d'induction de pression fonctionne avec une marge d'erreur de  $\pm 0,5$  psi.



### AVIS ! Risque de surchauffe

- Assurez-vous que la pompe électrique est suffisamment ventilée pendant son fonctionnement.
- N'utilisez pas la pompe électrique en continu pendant plus de 15 minutes, car le moteur risque de surchauffer. Laissez la pompe électrique refroidir pendant 30 min après 15 min d'utilisation continue.



### REMARQUE

- Si aucun bouton n'a été actionné pendant 30 secondes, l'écran LCD passe en mode Veille. Appuyez sur n'importe quel bouton pour le réactiver.
- Quelques instants seront nécessaires pour que la pression affichée sur l'écran LCD augmente. Ce comportement est normal, car une grande quantité d'air est initialement nécessaire pour remplir le châssis avant qu'un changement important de pression ne soit détecté.

## Utilisation de l'échelle



### ATTENTION ! Risque de blessure

Assurez-vous que les mécanismes de verrouillage de tous les segments déployés sont verrouillés avant d'utiliser l'échelle.



### AVIS ! Risque d'endommagement

Assurez-vous que la charge totale maximale de l'échelle n'est pas dépassée. La charge totale maximale est de 130 kg/287 lb.



## Installation de l'échelle



### ATTENTION ! Risque de blessure

Respectez l'angle d'installation recommandé de 65° à 75° (fig. 22, page 8).

Les loquets des mécanismes de verrouillage peuvent être déplacés dans deux positions pour verrouiller ou déverrouiller les segments (fig. 21, page 8) :

- Placez les loquets situés des deux côtés de l'échelle en position  pour verrouiller le segment (fig. 21 A, page 8).
- Placez les loquets situés des deux côtés de l'échelle en position  pour déverrouiller le segment (fig. 21 B, page 8).

## Stockage

### Stockage de la tente de toit et de l'échelle



### ATTENTION ! Risque de blessure

- L'échelle peut rester fixée sur la tente de toit pour le stockage. Assurez-vous que l'échelle est complètement repliée et que les mécanismes de verrouillage de tous les segments de l'échelle sont verrouillés.
- Lors du démontage de l'échelle de la tente de toit pour le stockage, assurez-vous que l'échelle est rangée dans une position où elle restera droite (c'est-à-dire, placée sur une surface plane).



### AVIS ! Risque d'endommagement

Les loquets et les capuchons des pieds de l'échelle sont en plastique. Stockez l'échelle à l'abri des rayons UV.

1. Démontez la tente de toit de la galerie du véhicule.
2. Si nécessaire, nettoyez la tente de toit et l'échelle.
3. Assurez-vous que la tente de toit et l'échelle sont complètement sèches avant de les ranger.
4. Conservez dans un lieu sec et bien ventilé.

## Stockage de la pompe électrique Gale 12 V

1. Si nécessaire, nettoyez la pompe électrique Gale 12 V.
2. Insérez le capuchon dans l'ouverture prévue à cet effet.
3. Assurez-vous que le cordon d'alimentation et le flexible pneumatique ne sont pas coincés ou pliés avant de les ranger.
4. Conservez dans un lieu sec et bien ventilé.

## Nettoyage et entretien



### AVERTISSEMENT ! Risque de blessure

Nettoyez et entretenez uniquement la tente de toit au sol. Ne montez jamais sur le véhicule pour nettoyer la tente de toit lorsqu'elle est montée sur le toit.



### AVIS ! Risque d'endommagement

- N'utilisez pas d'objets pointus ou durs ni de produits de nettoyage pour le nettoyage.
- N'utilisez pas de matériaux à base d'alcool, de produits chimiques, de savon et de détergents pour le nettoyage.
- Enlevez les fientes d'oiseaux et la résine des arbres dès que possible pour éviter d'endommager le matériau de façon permanente.
- Ne placez aucun objet dans l'orifice de gonflage de la pompe électrique Gale 12 V, car cela pourrait endommager le mécanisme interne de la pompe.
- La réparation de l'échelle doit uniquement être effectuée par une personne compétente.



### REMARQUE

- Installez complètement la tente de toit et l'échelle pour le nettoyage.
- Choisissez une journée ensoleillée pour le nettoyage afin que le matériel sèche complètement.

- Si nécessaire, nettoyez la tente de toit et l'échelle avec de l'eau propre et une brosse douce.
- Appliquez un produit d'étanchéité et anti-UV sur la tente de toit avant chaque trajet.
- Nettoyez la pompe Gale de temps à autre avec un chiffon humide.

## Inspection de l'échelle



### ATTENTION ! Risque de blessure

N'utilisez pas l'échelle si l'une des inspections de la liste suivante ne peut pas être entièrement satisfaite.

Effectuez les inspections suivantes après la livraison et avant chaque utilisation :

- Vérifiez que l'échelle ou ses composants ne sont pas pliés, entaillés, excessivement usés, corrodés ou dégradés.
- Vérifiez que les fixations, les loquets et les capuchons des pieds de l'échelle ne sont pas manquants ou desserrés.
- Vérifiez que les loquets s'engagent correctement sur les barreaux.
- Vérifiez que l'échelle dans son ensemble est exempte d'impuretés (par ex. de la boue ou de la neige).

## Dépannage



### REMARQUE

- Lors de la première exposition à l'eau, il peut y avoir un peu d'humidité au niveau des coutures. Grâce à cette humidité, les fils vont gonfler et remplir les trous créés lors du processus de couture.
- Un kit de pièces de rechange entièrement équipé devrait contenir :
  - Produit d'imperméabilisation
  - Ruban et solution de réparation
  - Spray au silicone pour les fermetures éclair

Problème	Solution
La tente de toit se gonfle difficilement	<ul style="list-style-type: none"><li>➤ Vérifiez que la valve est entièrement vissée dans le tube d'air.</li><li>➤ Vérifiez si le tube de gonflage est tordu au niveau de la valve. Cela se remarque par un bruit. Détendez le tube de gonflage.</li><li>➤ Vérifiez que la pompe électrique fonctionne.</li></ul>
Une partie de la tente de toit ne se dégonfle pas	<ul style="list-style-type: none"><li>➤ Vérifiez que toutes les valves d'isolement qui relient les tubes d'air sont ouvertes.</li></ul>
Des tubes d'air sont tordus	<ul style="list-style-type: none"><li>➤ Ajoutez de l'air (9 psi/0,62 bar).</li></ul>
Fuite d'air	<ul style="list-style-type: none"><li>➤ Vérifiez que la valve est entièrement vissée dans le tube d'air et que le joint d'étanchéité est en place.</li><li>➤ Vérifiez que le capuchon de la valve est bien serré.</li><li>➤ Vérifiez que la tente de toit n'est pas perforée, voir chapitre « Réparation d'une perforation dans le tube d'air », page 30</li></ul>
Fuite d'eau	<ul style="list-style-type: none"><li>➤ Vérifiez si les coutures ne fuient pas, si les rubans ne sont pas endommagés et s'il n'y a pas de zones humides.</li><li>➤ Si vous ne trouvez pas de fuites, consultez le chapitre « Condensation », page 30.</li><li>➤ Si vous trouvez des fuites, appliquez un produit d'étanchéité pour les coutures.</li></ul>
Déchirure dans le tissu	<ul style="list-style-type: none"><li>➤ Utilisez du ruban de réparation pour étancher le tissu.</li><li>➤ Faites effectuer les réparations par un spécialiste autorisé.</li></ul>

## Condensation

Toutes les tentes souffrent de condensation interne si une ou plusieurs des conditions suivantes s'appliquent :

- Humidité de l'air élevée
- Baisse de température

Une forte condensation peut s'écouler à l'intérieur du toit et s'égoutter des attaches, des rubans et autres accessoires internes et peut être confondue avec une fuite.

- Augmentez la ventilation en ouvrant les portes et/ou les fenêtres.

## Réparation d'une perforation dans le tube d'air

Si le tube d'air perd de l'air, procédez comme suit :

1. Ouvrez la fermeture à glissière du manchon extérieur tenant le tube d'air.
2. Le cas échéant, fermez les valves d'isolement.
3. Retirez le tube d'air.
4. Dégonflez le tube d'air.
5. Ouvrez la fermeture éclair du manchon de protection pour dégager le tube gonflable.
6. Soufflez de l'air dans le tube gonflable.
7. Immergez le tube dans de l'eau.
8. Trouvez la perforation.

9. Utilisez du ruban de réparation et une solution de réparation pour sceller le trou.
  10. Refermez le tube gonflable dans le manchon de protection.
  11. Remplacez le tube d'air dans le manchon extérieur.
- Tenez également compte des informations fournies sur les fig. **45**, page 14 à fig. **46**, page 14.

## Mise au rebut



- Dans la mesure du possible, jetez les emballages dans les conteneurs de déchets recyclables prévus à cet effet.
- Pour éliminer définitivement le produit, contactez le centre de recyclage le plus proche ou votre revendeur spécialisé afin de vous informer sur les dispositions relatives au retraitement des déchets.
- Le produit peut être mis au rebut gratuitement.

## Garantie

La période de garantie légale s'applique. Si le produit est défectueux, contactez votre revendeur ou la filiale locale du fabricant (voir [domestic.com/dealer](http://domestic.com/dealer)).

Pour toutes réparations ou autres prestations de garantie, veuillez joindre au produit les documents suivants :

- une copie de la facture avec la date d'achat
- un motif de réclamation ou une description du dysfonctionnement

Notez que toute réparation effectuée par une personne non agréée peut présenter un risque de sécurité et annuler la garantie.

La garantie couvre les défauts de fabrication, les matériaux et les pièces. La garantie ne couvre pas la décoloration de la couverture et l'usure et les déchirures dues aux rayons UV, à une mauvaise utilisation, les dommages accidentels, les dommages dus aux tempêtes ou à une utilisation permanente, semi-permanente ou commerciale. Elle ne couvre pas les dommages qui en résultent. Veuillez contacter votre revendeur pour toute réclamation. Ceci n'affecte pas vos droits statutaires.

## Caractéristiques techniques

	<b>TRT140 AIR</b>
Profondeur du matelas en mousse	3,2 cm (1,3 po.)
Profondeur de la couche anti-condensation	0,5 cm (0,2 po.)
Espace intérieur utilisable (l x H x P)	55 x 43 x 83 po 140 x 110 x 210 cm
Dimensions de la tente extérieure (l x H x P)	57 x 47 x 86 po 145 x 120 x 219 cm
Dimensions de stockage de la tente (l x H x P)	59 x 13 x 32 po 149 x 33 x 82 cm
Dimensions de stockage de l'échelle et des accessoires (l x H x P)	31 x 5 x 20 po 79 x 12 x 49,5 cm
Poids (échelle comprise)	57,65 kg/127,1 lb

	<b>Pompe Gale 12 V</b>
Tension	12 V $\overline{=}$
Débit d'air	100 l (26 gal)/ min $\pm$ 10 %
Durée de fonctionnement	maximum 15 min
Niveau de bruit	32 dB
Dimensions (l x H x P)	11 x 3,5 x 7,9 po/ 280 x 90 x 200 mm
Poids	1,79 kg (3,9 lb)

Lea atentamente estas instrucciones y siga las indicaciones, directrices y advertencias incluidas en este manual para asegurarse de que instala, usa y mantiene correctamente el producto en todo momento. Estas instrucciones DEBEN permanecer con este producto.

Al usar el producto, usted confirma que ha leído cuidadosamente todas las instrucciones, directrices y advertencias, y que entiende y acepta cumplir los términos y condiciones aquí establecidos. Usted se compromete a usar este producto solo para el propósito y la aplicación previstos y de acuerdo con las instrucciones, directrices y advertencias establecidas en este manual del producto, así como de acuerdo con todas las leyes y reglamentos aplicables. La no lectura e incumplimiento de las instrucciones y advertencias aquí expuestas puede causarles lesiones a usted o a terceros, daños en el producto o daños en otras propiedades cercanas. Este manual del producto, incluyendo las instrucciones, directrices y advertencias, y la documentación relacionada, pueden estar sujetos a cambios y actualizaciones. Para obtener información actualizada sobre el producto, visite la página [documents.dometic.com](http://documents.dometic.com), [dometic.com](http://dometic.com).

## Explicación de los símbolos



### ¡PELIGRO!

**Indicación de seguridad:** Indica una situación peligrosa que, de no evitarse, ocasionará la muerte o lesiones graves.



### ¡ADVERTENCIA!

**Indicación de seguridad:** Indica una situación peligrosa que, de no evitarse, puede ocasionar la muerte o lesiones graves.



### ¡ATENCIÓN!

**Indicación de seguridad:** Indica una situación peligrosa que, de no evitarse, puede ocasionar lesiones moderadas o leves.



### ¡AVISO!

Indica una situación peligrosa que, de no evitarse, puede provocar daños materiales.



### NOTA

Información complementaria para el manejo del producto.

## Indicaciones generales de seguridad



**¡PELIGRO! La no observación de estas normas puede causar heridas fatales o severas.**

### Peligro de intoxicación por monóxido de carbono

- No utilice nunca en el interior de la tienda aparatos que quemen combustible, como barbacoas o calentadores de gas. El proceso de combustión produce monóxido de carbono que se acumula en el interior de la tienda, ya que no hay chimenea.



**¡ADVERTENCIA! El incumplimiento de estas advertencias podría acarrear la muerte o lesiones graves.**

### Peligro de incendio

- Infórmese de las medidas locales de precaución contra incendios.
- No cocine ni encienda fuego en el interior de la tienda.
- Mantenga cualquier fuente de calor o llama lejos del tejido de la tienda.

### Peligro de asfixia

- Asegúrese de que las aberturas de ventilación estén abiertas todo el tiempo para evitar asfixias.

### Peligro de lesiones

- Este aparato no está diseñado para ser utilizado por personas (incluidos los niños) con capacidades físicas, sensoriales o mentales reducidas.
- No permita que los niños jueguen alrededor de la tienda o en su interior y asegúrese de que utilizan la escalera con cuidado.
- Los niños solo podrán realizar las tareas de limpieza y mantenimiento bajo vigilancia.

- Consulte siempre la previsión meteorológica antes de montar y utilizar la tienda de techo.
  - No utilice la tienda de techo si hay previsión de tormenta o temporal.
  - Si le sorprende una tormenta eléctrica, abandone inmediatamente la tienda de techo y póngase a salvo en su vehículo. Permanezca en su vehículo hasta que la tormenta eléctrica haya pasado para evitar el impacto de los rayos.
  - No monte, utilice ni despliegue la tienda de techo o la escalera si hace mucho viento.
  - No pliegue la tienda de techo bajo una lluvia intensa.
- No utilice la tienda de techo si alguna parte o alguno de sus componentes están visiblemente dañados. Póngase en contacto con el fabricante para obtener ayuda.
- Utilice únicamente portaequipajes certificados (por ejemplo, con certificación GS) y homologados para su vehículo.
- Antes de montar la tienda de techo, asegúrese de que su vehículo y su portaequipajes ofrecen una capacidad de carga suficiente para la tienda de techo y para las personas y objetos que vayan a estar dentro de ella.



### NOTA

- Lleve siempre consigo los manuales del vehículo y del portaequipajes y siga sus instrucciones.

## Medidas de seguridad para el uso de la escalera



**¡ATENCIÓN! El incumplimiento de estas precauciones podría acarrear lesiones moderadas o leves.**

### Peligro de lesiones

- Después de la entrega y antes de cada uso, compruebe que la escalera no presenta daños y se puede utilizar de manera segura. No utilice una escalera dañada.
- Al subir y bajar por la escalera, y durante su uso general, existe un riesgo de caída. El uso de la escalera debe realizarse minimizando al máximo el riesgo de caída.
  - Agárrese bien a la escalera.
  - No se incline hacia un lado.
  - Suba y baje siempre de cara a la escalera.
- La escalera no debe ser utilizada por más de una persona a la vez.
- No coloque la escalera sobre un terreno irregular, inestable o contaminado.
- No transporte equipos pesados o difíciles de manejar mientras utiliza la escalera.
- No utilice la escalera con calzado inadecuado.
- No utilice una escalera si está sucia (por ejemplo, de barro o nieve).
- No utilice la escalera si sufre alguna limitación física. Determinados estados de salud, el uso de medicamentos y el abuso de alcohol o drogas pueden suponer un riesgo para la seguridad al utilizar la escalera.
- Asegúrese de que los mecanismos de bloqueo de todos los segmentos extendidos estén activados antes transportar, utilizar o guardar la escalera.
- Al montar y utilizar la escalera, tenga en cuenta el riesgo de colisiones, por ejemplo, con peatones, vehículos o puertas. Cierre las puertas (excepto las salidas de emergencia) y las ventanas en la zona de uso, si es posible.
- No modifique la escalera ni ninguno de sus componentes de ninguna manera.



### ¡AVISO! Peligro de daños

- Tenga en cuenta la carga total máxima especificada de la escalera.

## Seguridad al transportar la tienda de techo encima de un vehículo



**¡ADVERTENCIA! El incumplimiento de estas advertencias podría acarrear la muerte o lesiones graves.**

### Peligro de lesiones

- Cuando conduzca con la tienda de techo instalada en su vehículo, hágalo siempre con la tienda plegada y correctamente cubierta con su funda.
- No conduzca a más de 110 km/h (88 mph) con la tienda instalada en el techo de su vehículo.
- Antes de salir de viaje y a intervalos regulares durante cada trayecto, compruebe que la tienda de techo esté firmemente sujeta al portaequipajes y que la funda esté asegurada. Un portaequipajes o una tienda de techo mal instalados pueden desprenderse en pleno trayecto y causar heridas a otros usuarios de la carretera.
- Guarde la escalera correctamente en la parte superior de la tienda de techo plegada y por debajo de la funda para evitar que caiga y dañe a otros usuarios de la carretera durante un trayecto.
- Adapte su comportamiento de conducción (por ejemplo, la sensibilidad al viento cruzado, el comportamiento en las curvas y el frenado) para ajustarse al cambio de altura del vehículo.



### ¡AVISO! Peligro de daños

- La tienda de techo aumenta la altura del vehículo. Tenga cuidado con las entradas, puentes y ramas de poca altura y otros obstáculos.
- Retire la tienda de techo y el portaequipajes cuando utilice una estación de lavado automático.



### NOTA

- Puede generarse un ruido de viento al conducir con la tienda de techo instalada en el vehículo.

## Medidas de seguridad al utilizar la bomba eléctrica Gale de 12 V



**¡ADVERTENCIA! El incumplimiento de estas advertencias podría acarrear la muerte o lesiones graves.**

### Riesgo de electrocución

- No ponga la bomba eléctrica en funcionamiento si presenta desperfectos visibles.
- Si el cable de conexión de la bomba eléctrica está dañado, debe ser reemplazado por el fabricante, un técnico de mantenimiento autorizado o una persona con cualificación similar para evitar posibles peligros.
- Esta bomba eléctrica solo puede ser reparada por personal cualificado. Las reparaciones inadecuadas pueden conllevar peligros considerables.
- No utilice la bomba de aire eléctrica si está húmeda o sumergida en un líquido. Guárdela en un lugar seco.



**¡ATENCIÓN! El incumplimiento de estas precauciones podría acarrear lesiones moderadas o leves.**

### Riesgo de electrocución

- Antes de poner en marcha la bomba de aire eléctrica, asegúrese de que el cable de alimentación y el enchufe estén secos y de que el enchufe no presente óxido ni sustancias extrañas.
- Desconecte la bomba de aire eléctrica de la fuente de alimentación
  - antes de realizar cualquier tarea de limpieza o mantenimiento
  - después de cada uso

## Peligro de lesiones

- Este aparato no está previsto para que lo usen personas (incluidos niños) con sus capacidades físicas, sensitivas o mentales limitadas o sin la experiencia y los conocimientos pertinentes, siempre y cuando no haya una persona responsable de la seguridad que supervise adecuadamente o explique detalladamente su uso.
- Mantenga a los niños y a los animales domésticos alejados de la bomba eléctrica durante su funcionamiento.
- No dirija la corriente de aire a la cara o al cuerpo.
- Respete la presión de aire recomendada.
- Los niños solo podrán realizar las tareas de limpieza y mantenimiento bajo vigilancia.



### ¡AVISO! Peligro de daños

- Compruebe que el valor de tensión indicado en la etiqueta de tipo se corresponde con el del suministro de energía.
- Conecte la bomba eléctrica a una toma de corriente continua del vehículo usando solamente el cable de corriente continua.
- No coloque el aparato cerca de una llama o una fuente de calor (calefacción, luz solar directa, estufas de gas, etc.).
- No deje el aparato en funcionamiento sin vigilancia.
- No desenchufe nunca la clavija de la caja de enchufe tirando del cable.

## Volumen de entrega

Componente	Cantidad
Tienda de techo	1
Escalera telescópica	1
Cubierta de PVC	1
Bolsa de herramientas	1
Soporte en U	4
Tornillo M8 x 50	8
Tornillo M8 x 16	4
Arandela M8 1 mm	8
Arandela M8 desatornillada	12
Arandela M8 1,5 mm	4
Tuerca de mariposa M8	4
Placa de sección de aluminio	12
Tuerca de rueda de plástico M8	8
Tapa de plástico	4
Bomba eléctrica Gale de 12 V	1
Manguera de aire	1
Adaptador de boquilla	6
Bolsillo para bolsa de almacenamiento	2
Red de almacenamiento	1
Ampliación de manguera (1,4 m)	1

## Accesorios

Disponibles como artículos opcionales (no incluidos en el volumen de entrega):

Componente	N.º de art.
TRT 140 AIR Awning Low	9120002119
TRT 140 AIR Awning Tall	9120002120
Bomba manual	9120000439

## Uso previsto

Esta tienda de techo es adecuada para:

- Ser instalada en el portaequipajes del techo de un vehículo apropiado
- Clima suave a moderado
- Uso itinerante

Esta tienda de techo **no** es adecuada para:

- El uso por parte de personas con capacidades físicas, sensoriales o mentales reducidas
- Vientos muy fuertes o nevadas
- Acampada estacional o uso comercial

La escalera está diseñada para ser acoplada a esta tienda de techo. La escalera solo se puede utilizar junto con esta tienda de techo y **no** se puede utilizar de forma independiente.

La escalera **no** está diseñada para un uso profesional.

Este producto solo es apto para el uso previsto y la aplicación de acuerdo con estas instrucciones.

Este manual proporciona la información necesaria para la correcta instalación y/o funcionamiento del producto. Una instalación deficiente y/o un uso y mantenimiento inadecuados conllevan un rendimiento insatisfactorio y posibles fallos.

El fabricante no se hace responsable de ninguna lesión o daño en el producto ocasionados por:

- Un montaje o conexión incorrectos, incluido un exceso de tensión
- Un mantenimiento incorrecto o el uso de piezas de repuesto distintas de las originales proporcionadas por el fabricante
- Modificaciones realizadas en el producto sin el expreso consentimiento del fabricante
- Uso con una finalidad distinta de la descrita en las instrucciones

Dometic se reserva el derecho de cambiar la apariencia y las especificaciones del producto.

## Descripción técnica

La tienda de techo está equipada con postes AIR inflables que se hinchar con una válvula sencilla.

La escalera fijada a la tienda de techo se puede ajustar a la altura del vehículo.

La tienda de techo incluye un colchón de espuma de alta densidad.

La tienda de techo se puede plegar y cubrir con la funda suministrada para su transporte en el techo de un vehículo.

El portaequipajes en el que se vaya a instalar la tienda de techo debe cumplir los siguientes requisitos:

- El portaequipajes debe admitir cargas de al menos 75 kg/165 lbs para permitir la conducción con la tienda de techo instalada.
- El portaequipajes debe tener una anchura mínima de 68 cm/27 in.
- Los dos rieles del portaequipajes deben tener una separación de entre 70 cm/28 in y 125 cm/50 in.

## Utilización de la tienda de techo



### ¡ADVERTENCIA! Peligro de lesiones

- Asegúrese de que la tienda de techo esté firmemente sujeta al portaequipajes antes de utilizar la escalera.
- Asegúrese de que cada peldaño de la escalera esté bloqueado antes de subir por la escalera.
- Utilice siempre la escalera con precaución.
- Cierre la puerta de entrada de la tienda de techo antes de irse a dormir para evitar caídas durante el sueño.
- Si la tienda de techo es utilizada por dos personas a la vez, asegúrese de que no se sienten juntas en la parte delantera, trasera o lateral. La tienda puede caerse si las dos personas apoyan a la vez su peso sobre un lado de misma (fig. 33, página 11).
- Antes de conducir con la tienda de techo instalada, asegúrese siempre de que la cubierta haya quedado correctamente sujeta (fig. 44, página 13).



### ¡ATENCIÓN! Peligro de lesiones

No abra nunca la cremallera de la cubierta protectora mientras infle un poste AIR. Esto hará que el poste AIR estalle.



### ¡AVISO! Peligro de daños materiales

- Cuando monte o pliegue la tienda de techo, deje siempre abierta la ventana lateral de la tienda.
- No abra ni cierre las cremalleras forzándolas.



### NOTA

Haga uso de los complementos de almacenamiento integrados cuando utilice la tienda para que no caiga ni se extraña nada en la tienda al plegarla (fig. 31, página 10).

## Antes del primer uso

Familiarícese con el producto realizando una prueba antes del primer uso. Compruebe si el volumen de entrega está completo.

### Exposición del producto a la intemperie antes del primer uso

El producto está fabricado con materiales que requieren preparación antes de su uso para optimizar al máximo su impermeabilidad.

1. Monte completamente el producto al aire libre cuando haya previsión de lluvia o en un lugar donde pueda rociar la parte exterior con una manguera para que quede totalmente húmedo.

Este proceso se denomina exposición a la intemperie. El proceso de exposición a la intemperie tensa el tejido y hace que el algodón del hilo de las costuras se hinche y cierre los orificios realizados por la aguja de coser durante el proceso de fabricación.

2. Deje que el producto se seque bien antes de guardarlo.

Si lleva a cabo este proceso antes del primer uso, se asegurará de que la impermeabilización del producto mejore cuando se vuelva a mojar.

## Instalación de la tienda de techo



### ¡ATENCIÓN! Peligro de lesiones

- Pida la ayuda de otra persona cuando vaya a colocar la tienda de techo encima del vehículo.
- Asegúrese de que no haya otras personas, especialmente niños, cerca del vehículo cuando usted y su ayudante eleven la tienda de campaña para colocarla en el techo del vehículo.



#### NOTA

El lado de la tienda de techo en el que debe montarse la escalera está marcado. Asegúrese de alinear la tienda de techo de forma que la escalera extendida no obstaculice la puerta del conductor del vehículo (fig. 4, página 3).

- ▶ Para instalar la tienda de techo, proceda como se muestra (fig. 2, página 3 – fig. 15, página 6).

### Montaje de la tienda de techo



#### ¡ATENCIÓN! Riesgo de lesiones y daños materiales

- No utilice compresores diseñados para inflar neumáticos de automóviles.
- Infle los postes AIR siempre hasta una presión máxima de 9 psi/0,62 bar.
- No coloque los dedos en la zona de los peldaños cuando instale o ajuste la escalera.

- ▶ Para montar la tienda de techo, proceda como se muestra (fig. 16, página 6 – fig. 36, página 11).

### Plegado de la tienda de techo



#### ¡ATENCIÓN! Riesgo de aplastamiento

No ponga los dedos en la zona de los peldaños al empujar la escalera para plegarla.



#### NOTA

Los controles deslizantes de color azul situados en el peldaño inferior de la escalera sirven para desbloquear todos los segmentos a la vez para poder plegar la escalera (fig. 41, página 13).

- ▶ Para plegar la tienda de techo, proceda como se muestra (fig. 37, página 12 – fig. 44, página 13).

## Uso de la bomba eléctrica Gale de 12 V

La bomba eléctrica Gale de 12 V está equipada con un sistema de inducción de presión y se apaga automáticamente al alcanzar la presión previamente establecida. El sistema de inducción de presión funciona con un margen de error de  $\pm 0,5$  psi.



#### ¡AVISO! Riesgo de sobrecalentamiento

- Asegúrese de que la bomba eléctrica esté suficientemente ventilada durante su funcionamiento.
- No haga funcionar la bomba eléctrica de forma continua durante más de 15 minutos, ya que el motor podría sobrecalentarse.  
Deje que la bomba eléctrica se enfríe durante 30 minutos después de 15 minutos de uso continuo.



#### NOTA

- Si no se ha pulsado ningún botón durante 30 segundos, la pantalla LCD pasará al modo preparado. Pulse cualquier botón para volver a activarla.
- Al principio, la lectura de presión de la pantalla LCD tarda en aumentar. Esto es normal, ya que inicialmente se necesita una gran cantidad de aire para llenar el AIR frame antes de que se detecte un cambio significativo de presión.

## Uso de la escalera



#### ¡ATENCIÓN! Peligro de lesiones

Asegúrese de que los mecanismos de bloqueo de todos los segmentos extendidos estén activados antes de utilizar la escalera.



#### ¡AVISO! Peligro de daños

Asegúrese de no exceder la carga total máxima autorizada de la escalera. La carga total máxima es de 130 kg/287 lb.



### Montaje de la escalera



#### ¡ATENCIÓN! Peligro de lesiones

Respete el ángulo de montaje recomendado de  $65^\circ - 75^\circ$  (fig. 22, página 8).

Los controles deslizantes de los mecanismos de bloqueo de los segmentos tienen dos posiciones: bloqueo y desbloqueo (fig. 21, página 8):

- ▶ Mueva los controles deslizantes de ambos lados de la escalera hacia  para bloquear el segmento (fig. 21 A, página 8).
- ▶ Mueva los controles deslizantes de ambos lados de la escalera hacia  para desbloquear el segmento (fig. 21 B, página 8).

## Almacenamiento

### Almacenamiento de la tienda de techo y la escalera



#### ¡ATENCIÓN! Peligro de lesiones

- La escalera puede ser dejada montada al almacenar la tienda de techo. Asegúrese de que la escalera quede completamente recogida y que los mecanismos de bloqueo de todos los segmentos estén bloqueados.
- Si desmonta la escalera para almacenar la tienda de techo, asegúrese de que guardarla en una posición en la que permanezca recta (por ejemplo, sobre una superficie plana).



#### ¡AVISO! Peligro de daños

El control deslizante y los remates de las patas de la escalera son de plástico. Guarde la escalera en un lugar protegido de la radiación ultravioleta.

1. Desinstale la tienda de techo del portaequipajes.
2. Si es necesario, limpie la tienda de techo y la escalera.
3. Asegúrese de que la tienda de techo y la escalera estén completamente secas antes de plegar el conjunto.
4. Guárdela en un lugar seco y bien ventilado.

### Almacenamiento de la bomba eléctrica Gale de 12 V

1. Si es necesario, limpie la bomba eléctrica Gale de 12 V.
2. Inserte la clavija en la abertura proporcionada.
3. Asegúrese de que el cable de alimentación y la manguera de aire no hayan quedado atrapados o doblados antes de plegar el conjunto.
4. Guárdela en un lugar seco y bien ventilado.

## Limpieza y cuidado



### ¡ADVERTENCIA! Peligro de lesiones

Limpie y realice el mantenimiento de la tienda de techo solamente en el suelo. No se suba al vehículo para limpiar la tienda de techo cuando esta esté instalada en el techo.



### ¡AVISO! Peligro de daños

- Para limpiar, no utilice objetos afilados o duros ni productos de limpieza.
- No utilice materiales a base de alcohol, productos químicos, jabón y detergentes para la limpieza.
- Retire los excrementos de los pájaros y la resina de los árboles lo antes posible para evitar daños permanentes en el material.
- No intente colocar ningún objeto en la boca de inflado de la bomba eléctrica Gale de 12 V, ya que podría dañar el mecanismo interno de la bomba.
- La reparación de la escalera solo debe ser realizada una persona capacitada para ello.



### NOTA

- Monte completamente la tienda de techo y la escalera para limpiarlos.
- Elija un día soleado para asegurarse de que el material se secará completamente después de limpiarlo.

- ▶ Si es necesario, limpie la tienda de techo y la escalera con agua limpia y un cepillo suave.
- ▶ Antes de cada viaje, aplique en la tienda de techo una impregnación contra el agua y la radiación UV.
- ▶ Limpie de vez en cuando el bomba Gale con un paño húmedo.

## Inspección de la escalera



### ¡ATENCIÓN! Peligro de lesiones

No utilice la escalera si no se supera íntegramente alguna de las inspecciones de la siguiente lista.

Lleve a cabo las siguientes inspecciones después de la entrega y antes de cada uso:

- ▶ Compruebe que la escalera o sus componentes no estén doblados, abollados, excesivamente desgastados, corroídos o podridos.
- ▶ Compruebe que no falta y no está suelta ninguna fijación, control deslizante ni remate de las patas de la escalera.
- ▶ Compruebe que los controles deslizantes encajan correctamente en los peldaños.
- ▶ Compruebe que no hay ninguna sustancia extraña en la escalera (p.ej., nieve o barro).

## Solución de problemas



### NOTA

- Durante la primera exposición al agua puede haber algo de humedad en las costuras. A través de esta humedad, los hilos se hinchan y llenan los agujeros que se crean en el proceso de costura.
- Un kit de repuestos completamente equipado contiene:
  - Impermeabilizante
  - Cinta de reparación y solución de reparación
  - Spray de silicona para las cremalleras

Problema	Solución
La tienda de techo se infla con dificultad	<ul style="list-style-type: none"><li>▶ Compruebe que la válvula esté completamente enroscada en el poste AIR.</li><li>▶ Compruebe si el tubo de inflado está retorcido en la válvula. Puede guiarse por el sonido. Desenrosque el tubo de inflado.</li><li>▶ Compruebe que la bomba eléctrica funciona correctamente.</li></ul>
Una parte de la tienda de techo no se desinfla	<ul style="list-style-type: none"><li>▶ Compruebe que todas las válvulas de aislamiento que conectan los postes AIR están abiertas.</li></ul>
Los postes AIR están doblados	<ul style="list-style-type: none"><li>▶ Añada más aire (9 psi/0,62 bar).</li></ul>
Fuga de aire	<ul style="list-style-type: none"><li>▶ Compruebe que la válvula esté completamente atornillada en el poste AIR y que el anillo de sellado esté en su lugar.</li><li>▶ Compruebe que la tapa de la válvula esté bien ajustada.</li><li>▶ Compruebe si hay pinchazos, vea capítulo "Reparación de un pinchazo en el AIR Pole" en la página 36.</li></ul>
Filtración de agua	<ul style="list-style-type: none"><li>▶ Compruebe si hay costuras con filtraciones, cintas dañadas y zonas húmedas.</li><li>▶ Si no encuentra ninguna filtración, vea capítulo "Condensación" en la página 36.</li><li>▶ Si encuentra alguna filtración, aplique un sellador de costuras.</li></ul>
Rasgadura en la tela	<ul style="list-style-type: none"><li>▶ Utilice cinta reparadora para sellar la tela.</li><li>▶ Las reparaciones deben ser realizadas por un especialista autorizado.</li></ul>

## Condensación

En una tienda puede producirse condensación interna si se dan una o más de las siguientes condiciones:

- alta humedad del aire
- descenso de la temperatura

Si la condensación es severa, el agua puede correr por el interior del techo y gotear desde las uniones, cintas y otros accesorios internos, con lo cual puede ser confundida con una filtración.

- ▶ Aumente la ventilación abriendo puertas y/o ventanas.

## Reparación de un pinchazo en el AIR Pole

Si el AIR Pole pierde aire, proceda de la siguiente manera:

1. Abra la cremallera de la funda exterior que sostiene el AIR Pole.
  2. Si están instaladas, cierre las válvulas de aislamiento.
  3. Retire el AIR Pole.
  4. Desinfe el AIR Pole.
  5. Abra la cremallera de la funda protectora para exponer el tubo inflable.
  6. Bombee un poco de aire en el tubo inflable.
  7. Sumerja el tubo en agua.
  8. Localice el pinchazo.
  9. Utilice cinta adhesiva y solución de reparación para sellar el agujero.
  10. Vuelva a colocar el tubo inflable en la funda protectora.
  11. Vuelva a colocar el AIR Pole en la funda externa.
- ▶ Tenga también en cuenta la información facilitada en fig. 45, página 14 – fig. 46, página 14.



## Eliminación



- ▶ Si es posible, deseche el material de embalaje en el contenedor de reciclaje adecuado.
- ▶ Consultar con un punto limpio o con un distribuidor especializado para obtener más información sobre cómo eliminar el producto de acuerdo con las normativas aplicables de eliminación.
- ▶ El producto podrá desecharse gratuitamente.

## Garantía

Se aplica el período de garantía estipulado por la ley. Si el producto está defectuoso, contacte con el punto de venta o con la sucursal del fabricante en su país (visite [dometic.com/dealer](http://dometic.com/dealer)).

Para tramitar la reparación y la garantía, incluya los siguientes documentos cuando envíe el producto:

- Una copia de la factura con fecha de compra
- El motivo de la reclamación o una descripción de la avería

Tenga en cuenta que una reparación por medios propios o no profesionales puede tener consecuencias de seguridad y suponer la anulación de la garantía.

La garantía cubre los defectos de fabricación, materiales y piezas. La garantía no cubre la decoloración de la lona ni el desgaste causado por la radiación ultravioleta, el mal uso, los daños accidentales, los daños por tormentas o el uso permanente, semipermanente o comercial. No cubre ningún daño resultante. Contacte con su distribuidor para realizar las reclamaciones. Esto no afecta a sus derechos legales.

## Datos técnicos

	<b>TRT140 AIR</b>
Espesor del colchón de espuma	3,2 cm/1,3 in
Espesor de la capa anticondensación	0,5 cm/0,2 in
Espacio útil interior (An x Al x Pr)	55 x 43 x 83 in 140 x 110 x 210 cm
Dimensiones de tienda exterior (An x Al x Pr)	57 x 47 x 86 in 145 x 120 x 219 cm
Dimensiones de embalaje de la tienda (An x Al x Pr)	59 x 13 x 32 in 149 x 33 x 82 cm
Dimensiones del embalaje de la escalera y accesorios (An x Al x Pr)	31 x 5 x 20 in 79 x 12 x 49,5 cm
Peso (incluida la escalera):	57,65 kg/127,1 lb

	<b>Bomba Gale de 12 V</b>
Tensión	12 V $\overline{=}$
Capacidad volumétrica	100 l/26 gal/mín $\pm$ 10 %
Tiempo de funcionamiento	máximo 15 min
Emisión de ruidos	32 dB
Dimensiones (An x Al x Pr)	11 x 3,5 x 7,9 in/ 280 x 90 x 200 mm
Peso	1,79 kg/3,9 lb

Leia atentamente as presentes instruções e siga todas as instruções, orientações e avisos incluídos neste manual, de modo a garantir sempre a correta instalação, utilização e manutenção do produto. É OBRIGATÓRIO manter estas instruções junto com o produto.

Ao utilizar o produto, está a confirmar que leu atentamente todas as instruções, orientações e avisos, e que compreende e aceita cumprir os termos e condições estabelecidos no presente manual. Aceita utilizar este produto exclusivamente para o fim e a aplicação a que se destina e de acordo com as instruções, orientações e avisos estabelecidos neste manual, assim como de acordo com todas as leis e regulamentos aplicáveis. Caso não leia nem siga as instruções e os avisos aqui estabelecidos, poderá sofrer ferimentos pessoais ou causar ferimentos a terceiros e o produto ou outros materiais nas proximidades poderão ficar danificados. Este manual do produto, incluindo as instruções, orientações e avisos, bem como a documentação relacionada, podem estar sujeitos a alterações e atualizações. Para consultar as informações atualizadas do produto, visite [documents.dometic.com](http://documents.dometic.com), [dometic.com](http://dometic.com).

## Explicação dos símbolos



### PERIGO!

**Indicação de segurança:** indica uma situação perigosa que, se não for evitada, resultará em morte ou ferimentos graves.



### AVISO!

**Indicação de segurança:** Indica uma situação perigosa que, se não for evitada, pode causar a morte ou ferimentos graves.



### PRECAUÇÃO!

**Indicação de segurança:** Indica uma situação perigosa que, se não for evitada, pode causar ferimentos ligeiros ou moderados.



### NOTA!

Indica uma situação que, se não for evitada, pode causar danos materiais.



### OBSERVAÇÃO

Informações suplementares para a utilização do produto.

## Indicações de segurança gerais



**PERIGO! O incumprimento destas instruções provocará a morte ou ferimentos graves.**

### Risco de envenenamento por monóxido de carbono

- Nunca utilize aparelhos de queima de combustível, como grelhadores ou aquecedores a gás, dentro da tenda. O processo de queima produz monóxido de carbono que se acumula no interior da tenda, uma vez que não há chaminé.



**AVISO! O incumprimento destes avisos poderá resultar em morte ou ferimentos graves.**

### Perigo de incêndio

- Certifique-se de que conhece as disposições de prevenção de incêndios em vigor no local.
- Não cozinhe nem utilize chamas abertas no interior da tenda.
- Mantenha todas as fontes de chamas e calor afastadas do tecido desta tenda.

### Perigo de asfixia

- Certifique-se de que as aberturas de ventilação estão sempre abertas para evitar a asfixia.

### Perigo de ferimentos

- Este aparelho não se destina a ser utilizado por pessoas (incluindo crianças) com capacidades físicas, sensoriais ou mentais reduzidas.
- Não permita que as crianças brinquem em redor ou dentro da tenda e certifique-se de que as crianças têm cuidado ao utilizar a escada.
- A limpeza e a manutenção por parte do utilizador não podem ser efetuadas por crianças sem supervisão.

- Informe-se sempre das previsões meteorológicas antes de montar e utilizar a tenda de tejadilho.
  - Não utilize a tenda de tejadilho se estiver anunciada uma tempestade ou trovoadas.
  - Se for apanhado numa trovoadas, saia imediatamente da tenda de tejadilho e ponha-se em segurança no seu veículo. Para evitar ser atingido por raios, mantenha-se no seu veículo até a trovoadas passar.
  - Não monte, utilize ou dobre a tenda de tejadilho ou a escada se houver muito vento.
  - Não recolha a tenda de tejadilho com chuva forte.
- Não utilize a tenda de tejadilho se alguma peça ou algum dos componentes da tenda estiverem visivelmente danificados. Contacte o fabricante para receber assistência.
- Utilize apenas barras de tejadilho testadas (p. ex., com certificado GS) e homologadas para utilização no seu veículo.
- Antes de montar a tenda de tejadilho, certifique-se de que o seu veículo e a sua barra de tejadilho têm capacidade de carga suficiente para a tenda e para as pessoas e objetos que pretende ter dentro da tenda.



### OBSERVAÇÃO

- Tenha sempre consigo os manuais do veículo e da barra de tejadilho e siga as respetivas instruções.

## Segurança ao utilizar a escada



**PRECAUÇÃO! O incumprimento destas advertências poderá resultar em ferimentos ligeiros ou moderados. Perigo de ferimentos**

- Depois da entrega e antes de cada utilização, certifique-se de que a escada não apresenta danos e de que pode ser utilizada em segurança. Não utilize uma escada com danos.
- Há risco de queda ao subir, ao descer e, no geral, ao utilizar a escada. A escada deve ser utilizada de tal modo que o risco de queda seja o mínimo possível.
  - Segure-se com firmeza à escada.
  - Não se debruce para o lado.
  - Suba e desça a escada sempre voltado para a escada.
- A escada não deve ser utilizada por mais de uma pessoa ao mesmo tempo.
- Não monte a escada num piso irregular, instável ou contaminado.
- Não carregue equipamento pesado ou difícil de manejar enquanto estiver a utilizar a escada.
- Não utilize sapatos inapropriados para subir a escada.
- Não utilize uma escada suja com lama ou neve, por exemplo.
- Não utilize a escada se tiver limitações físicas. Determinados problemas de saúde, o consumo de medicamentos, o abuso de álcool ou de drogas podem causar um risco de segurança quando utiliza a escada.
- Antes de transportar, de cada utilização e de armazenar a escada, certifique-se de que os bloqueios para todos os segmentos estendidos estão travados.
- Ao montar e utilizar a escada, tenha atenção ao risco de colisões com peões, veículos ou portas, por exemplo. Se possível, feche as portas (exceto saídas de emergência) e as janelas existentes na área de utilização.
- Não altere nem adapte a escada nem nenhum dos seus componentes, seja de que modo for.



### NOTA! Risco de danos

- Respeite a carga total máxima especificada da escada.

## Segurança durante o transporte da tenda de tejadilho no tejadilho de um veículo



**AVISO! O incumprimento destes avisos poderá resultar em morte ou ferimentos graves.**

### Perigo de ferimentos

- Conduza com a tenda de tejadilho no tejadilho do seu veículo apenas se a tenda estiver recolhida e corretamente coberta com a cobertura de tenda.
- Não circule a mais de 110 km/h (88 mph) com a tenda de tejadilho no tejadilho do seu veículo.
- No início de cada viagem e em intervalos regulares durante a viagem, verifique se a tenda de tejadilho está bem fixada à barra de tejadilho e se a cobertura de tenda está presa em segurança. Uma barra de tejadilho ou uma tenda de tejadilho mal montadas podem soltar-se durante a viagem e ferir outros utentes da estrada.
- Armazene corretamente a escada por cima da tenda de tejadilho recolhida e por baixo da cobertura de tenda para evitar que a escada caia e fira outros utentes da estrada durante a viagem.
- Ajuste a sua condução (p. ex., sensibilidade a ventos laterais, comportamento de travagem e em curvas) à mudança de altura do veículo.



### NOTA! Risco de danos

- A tenda de tejadilho aumenta a altura do veículo. Tenha atenção a entradas, pontes e ramos baixos, bem como a outros obstáculos.
- Quando utilizar um sistema de lavagem automático, remova a tenda e a barra de tejadilho.



### OBSERVAÇÃO

- Pode ocorrer ruído de vento ao conduzir com a tenda de tejadilho no tejadilho de um veículo.

## Segurança ao usar a bomba elétrica Gale 12 V



**AVISO! O incumprimento destes avisos poderá resultar em morte ou ferimentos graves.**

### Risco de eletrocussão

- Não coloque a bomba elétrica em funcionamento se esta apresentar danos visíveis.
- Se o cabo de alimentação desta bomba elétrica estiver danificado, terá de ser substituído pelo fabricante, por um agente de assistência técnica ou por uma pessoa com qualificações equivalentes, a fim de evitar riscos de segurança.
- A bomba elétrica só pode ser reparada por técnicos qualificados. Reparações inadequadas podem dar origem a perigos consideráveis.
- Não use a bomba de ar elétrica em condições de humidade nem a submerja em qualquer líquido. Armazene-a num local seco.



**PRECAUÇÃO! O incumprimento destas advertências poderá resultar em ferimentos ligeiros ou moderados.**

### Risco de eletrocussão

- Antes de ligar a bomba de ar elétrica, certifique-se de que o cabo de alimentação e a ficha estão secos e que a ficha não apresenta ferrugem ou matérias estranhas.
- Desconecte a bomba de ar elétrica da fonte de alimentação.
  - Antes de cada limpeza e manutenção
  - Depois de cada utilização

## Perigo de ferimentos

- Este aparelho não foi previsto para ser utilizado por pessoas (incluindo crianças) com capacidades físicas, sensoriais ou mentais reduzidas ou com insuficiente experiência e conhecimento, exceto caso tenham recebido supervisão ou instruções acerca da utilização do aparelho por parte de uma pessoa responsável pela sua segurança.
- Mantenha crianças e animais domésticos afastados da bomba elétrica enquanto esta está em funcionamento.
- Não direcione o jato de ar para o rosto ou corpo.
- Aplique a pressão de ar recomendada.
- A limpeza e a manutenção por parte do utilizador não podem ser efetuadas por crianças sem supervisão.



### NOTA! Risco de danos

- Verifique se a especificação de tensão na placa de dados corresponde à da alimentação de energia.
- Ligue a bomba elétrica apenas à fonte de alimentação de corrente contínua no veículo usando o cabo de corrente contínua.
- Não coloque o aparelho na proximidade de chamas abertas ou de outras fontes de calor (aquecedores, radiação solar direta, fornos a gás, etc.).
- Não deixe o aparelho a funcionar sem supervisão.
- Nunca retire a ficha da tomada puxando pelo cabo.

## Material fornecido

Componente	Quantidade
Tenda de tejadilho	1
Escada telescópica	1
Cobertura em PVC	1
Saco de ferramentas	1
Suporte em U	4
Cavilha M8 x 50	8
Parafuso M8 x 16	4
Arruela M8 1 mm	8
Arruela de pressão M8	12
Arruela M8 1,5 mm	4
Parafuso de orelhas M8	4
Placa de bloqueio em alumínio	12
Porca estrela M8 em plástico	8
Tampa em plástico	4
Bomba elétrica Gale 12 V	1
Mangueira de ar	1
Adaptador do bocal	6
Bolso do saco de armazenamento	2
Rede de armazenamento	1
Mangueira de extensão (1,4 m)	1

## Acessórios

Disponível como acessório (não incluído no material fornecido):

Componente	N.º art.
TRT 140 AIR Awning Low	9120002119
TRT 140 AIR Awning Tall	9120002120
Bomba manual	9120000439

## Utilização adequada

Esta tenda de tejadilho é adequada para:

- montagem numa barra de tejadilho apropriada no tejadilho de um veículo apropriado
- condições atmosféricas boas a moderadas
- viagens de turismo

Esta tenda de tejadilho **não** é adequada para:

- utilização por pessoas com capacidades físicas, sensoriais ou mentais reduzidas
- ventos muito fortes ou queda de neve
- estação alta ou utilização comercial

A escada destina-se a ser fixada a esta tenda de tejadilho. A escada só pode ser utilizada em conjunto com esta tenda de tejadilho e **não** pode ser utilizada de forma independente.

A escada **não** se destina ao uso profissional.

Este produto destina-se exclusivamente à aplicação e aos fins pretendidos com base nestas instruções.

Este manual fornece informações necessárias para proceder a uma instalação e/ou a uma operação adequadas do produto. Uma instalação e/ou uma operação ou manutenção incorretas causarão um desempenho insatisfatório e uma possível avaria.

O fabricante não aceita qualquer responsabilidade por danos ou prejuízos no produto resultantes de:

- montagem ou ligação incorreta, incluindo sobretensões
- manutenção incorreta ou utilização de peças sobressalentes não originais fornecidas pelo fabricante
- alterações ao produto sem autorização expressa do fabricante
- utilização para outras finalidades que não as descritas no presente manual

A Dometic reserva-se o direito de alterar o design e as especificações do produto.

## Descrição técnica

A tenda de tejadilho está equipada com varetas de ar insufláveis que podem ser enchidas utilizando uma única válvula.

A escada fixada à tenda de tejadilho pode ser ajustada à altura do veículo.

A tenda de tejadilho inclui um colchão de espuma de alta densidade.

Para transportar no tejadilho de um veículo, a tenda de tejadilho pode ser recolhida e coberta com a cobertura de tenda fornecida.

A barra de tejadilho onde a tenda de tejadilho será instalada deve cumprir os seguintes requisitos:

- A barra de tejadilho tem de ser capaz de suportar pelo menos 75 kg/165 lbs para permitir conduzir o veículo com a tenda de tejadilho instalada.
- A largura da barra de tejadilho tem de ser, no mínimo, de 68 cm/27 in.
- As duas calhas da barra de tejadilho têm de ter uma distância entre si de 70 cm/28 in a 125 cm/50 in.

## Utilizar a tenda de tejadilho



### AVISO! Perigo de ferimentos

- Antes de subir a escada, certifique-se de que a tenda de tejadilho está firmemente fixada à barra de tejadilho.
- Antes de subir a escada, certifique-se de que cada degrau da escada está bloqueado.
- Utilize a escada sempre com cuidado.
- Feche sempre a porta de entrada da tenda de tejadilho antes de dormir para evitar cair da tenda enquanto dorme.
- Se a tenda de tejadilho for utilizada por duas pessoas, certifique-se de que as pessoas não se sentam as duas ao mesmo tempo na parte de trás, na parte da frente ou no mesmo lado da tenda. Se o peso de duas pessoas estiver só de um lado da tenda, a tenda pode cair (fig. 33, página 11).
- Antes de conduzir o veículo com a tenda de tejadilho montada, certifique-se sempre de que a cobertura está bem amarrada (fig. 44, página 13).



### PRECAUÇÃO! Perigo de ferimentos

Nunca abra o fecho-éclair da manga protetora enquanto uma vareta de ar estiver insuflada, pois isso resultará na explosão da vareta de ar.



### NOTA! Danos materiais

- Deixe a janela lateral da tenda de tejadilho aberta enquanto monta ou recolhe a tenda.
- Não abra nem feche os fechos-éclair à força.



### OBSERVAÇÃO

Ao utilizar a tenda, use os compartimentos de armazenamento integrados para que não caiam objetos nem seja esquecido nenhum objeto dentro da tenda quando a tenda for recolhida (fig. 31, página 10).

## Antes da primeira utilização

Antes da primeira utilização, familiarize-se com o produto testando a montagem. Verifique se o material fornecido está completo.

### Impermeabilizar o seu produto antes da primeira utilização

O produto é fabricado com materiais que exigem preparação antes de utilizar, de modo a maximizar a sua resistência às intempéries.

1. Monte completamente o produto no exterior numa altura em que se preveja chuva ou num local onde possa molhar completamente o exterior do produto com uma mangueira.

Este processo é designado “impermeabilização”. O processo de impermeabilização estica a lona e permite que o algodão existente na linha de costura inche e preencha os orifícios feitos pela agulha de costura durante a fabricação.

2. Deixe o produto secar completamente antes de o guardar.

Ao executar este processo antes da primeira utilização, estará a assegurar que a impermeabilização do produto melhorará com futuras exposições à água.

## Montar a tenda de tejadilho



### PRECAUÇÃO! Perigo de ferimentos

- Ice a tenda de tejadilho para cima do seu veículo apenas com o auxílio de outra pessoa.
- Certifique-se de que não há outras pessoas, sobretudo crianças, nas proximidades do veículo ao içar, com a ajuda de uma segunda pessoa, a tenda de tejadilho para pousar no tejadilho do veículo.



### OBSERVAÇÃO

O lado da tenda de tejadilho onde será montada a escada está identificado. Certifique-se de que a tenda de tejadilho está alinhada de tal modo que a escada estendida não bloqueie a porta do condutor do veículo (fig. 4, página 3).

- ▶ Para montar a tenda de tejadilho, proceda conforme ilustrado (fig. 2, página 3 – fig. 15, página 6).

## Montar a tenda de tejadilho



### PRECAUÇÃO! Perigo de ferimentos e de danos materiais

- Não utilize nenhum tipo de compressor concebido para insuflar pneus de automóveis.
- Insufla as varetas de ar apenas até uma pressão máxima de 9 psi/0,62 bar.
- Não coloque os dedos na área do degrau quando instalar ou ajustar a escada.

- ▶ Para instalar a tenda de tejadilho, proceda conforme ilustrado (fig. 16, página 6 – fig. 36, página 11).

## Recolher a tenda de tejadilho



### PRECAUÇÃO! Risco de esmagamento

Não coloque os dedos na área do degrau quando fechar a escada.



### OBSERVAÇÃO

As patilhas deslizantes azuis no último degrau inferior da escada destravam todos os segmentos de uma vez para que a escada possa ser fechada (fig. 41, página 13).

- ▶ Para recolher a tenda de tejadilho, proceda conforme ilustrado (fig. 37, página 12 – fig. 44, página 13).

## Utilizar a bomba elétrica Gale 12 V

A bomba elétrica Gale 12 V está equipada com um sistema de indução de pressão e desliga-se automaticamente assim que a pressão predefinida é atingida. O sistema de indução de pressão funciona com uma margem de erro de  $\pm 0,5$  psi.



### NOTA! Risco de sobreaquecimento

- Certifique-se de que a bomba elétrica é suficientemente ventilada durante o funcionamento.
- Não opere a bomba elétrica continuamente por mais de 15 minutos, porque o motor pode aquecer demasiado. Deixe a bomba elétrica arrefecer durante 30 minutos após 15 minutos de utilização contínua.



### OBSERVAÇÃO

- Se não for premido nenhum botão durante 30 s, o monitor LCD entra no modo standby. Para reativar, prima um botão qualquer.
- No início, a leitura da pressão no monitor LCD demorará algum tempo a aumentar. Isto é normal, uma vez que, no início, é necessária uma grande quantidade de ar para encher a moldura de ar antes de o sistema conseguir detetar uma alteração significativa na pressão.

## Utilizar a escada



### PRECAUÇÃO! Perigo de ferimentos

Antes de utilizar a escada, certifique-se de que os bloqueios para todos os segmentos estendidos estão travados.



### NOTA! Risco de danos

Certifique-se de que a carga total máxima da escada não é excedida. A carga total máxima é de 130 kg/287 lbs.



## Instalar a escada



### PRECAUÇÃO! Perigo de ferimentos

Respeite o ângulo de instalação recomendado de 65° – 75° (fig. 22, página 8).

As patilhas deslizantes dos bloqueios podem ser movidas para duas posições para travar e destravar os segmentos (fig. 24, página 8):

- ▶ Para travar o segmento, mova as patilhas deslizantes em ambos os lados da escada para  (fig. 24 A, página 8).
- ▶ Para destravar o segmento, mova as patilhas deslizantes em ambos os lados da escada para  (fig. 24 B, página 8).

## Armazenar

### Armazenar a tenda de tejadilho e a escada



### PRECAUÇÃO! Perigo de ferimentos

- A escada pode ficar montada na tenda de tejadilho quando armazenar o produto. Certifique-se de que a escada está completamente fechada e que os bloqueios de todos os segmentos da escada estão travados.
- Ao desmontar a escada da tenda de tejadilho para armazenar, certifique-se de que a escada é guardada de modo a permanecer numa posição reta (por exemplo, pousada numa superfície plana).



### NOTA! Risco de danos

A patilha deslizante e as tampas dos pés da escada são em plástico. Armazene a escada num local onde esteja protegida da radiação UV.

1. Desmonte a tenda de tejadilho da barra de tejadilho.
2. Se for necessário, limpe a tenda de tejadilho e a escada.
3. Certifique-se de que a tenda de tejadilho e a escada estão completamente secas antes de as guardar.
4. Armazene o produto num local seco e bem ventilado.

### Armazenar a bomba elétrica Gale 12 V

1. Se for necessário, limpe a bomba elétrica Gale 12 V.
2. Introduza a ficha na abertura prevista para o efeito.
3. Certifique-se de que o cabo de alimentação e a mangueira de ar não estão presos nem dobrados antes de guardar o aparelho.
4. Armazene o produto num local seco e bem ventilado.

## Limpeza e manutenção



### AVISO! Perigo de ferimentos

Limpe e faça a manutenção da tenda de tejadilho apenas no chão. Nunca suba para o veículo para limpar a tenda de tejadilho enquanto a tenda está montada no tejadilho.



### NOTA! Risco de danos

- Não utilize objetos afiados ou duros, nem produtos de limpeza.
- Não utilize materiais à base de álcool, químicos, sabão e detergentes de limpeza.
- Elimine excrementos de pássaros e resina de árvores o mais rapidamente possível para evitar danos permanentes no material.
- Não tente inserir nenhum objeto na entrada de insuflação da bomba elétrica Gale 12 V, pois isso pode danificar o mecanismo interno da bomba.
- A escada só deve ser reparada por uma pessoa com competências para o efeito.



### OBSERVAÇÃO

- Monte completamente a tenda de tejadilho e a escada para limpar.
- Escolha um dia ensolarado para limpar, de modo a garantir que o material secará completamente.

- ▶ Se for necessário, limpe a tenda de tejadilho e a escada com água limpa e uma escova suave.
- ▶ Antes de cada viagem, impregne a tenda de tejadilho contra água e radiação UV.
- ▶ De vez em quando, limpe a bomba gale com um pano húmido.

## Inspecionar a escada



### PRECAUÇÃO! Perigo de ferimentos

Não utilize a escada se não for possível realizar satisfatoriamente qualquer uma das inspeções da lista seguinte.

Realize as seguintes inspeções depois da entrega e antes de cada utilização:

- ▶ Certifique-se de que a escada ou componentes da escada não apresentam dobras, amolgadelas, desgaste excessivo, corrosão ou pontos apodrecidos.
- ▶ Certifique-se de que os meios de fixação, as patilhas deslizantes e as tampas dos pés da escada estão completos e bem fixados.
- ▶ Certifique-se de que as patilhas deslizantes engatam bem nos degraus.
- ▶ Certifique-se de que a escada está completamente livre de contaminantes (por exemplo, lama ou neve).

## Resolução de falhas



### OBSERVAÇÃO

- Durante a primeira exposição à água, poderá verificar-se a existência de alguma humidade nas costuras. Esta humidade faz inchar os fios e preencher os orifícios criados durante o processo de costura.
- Um kit de peças sobressalentes completamente equipado deve incluir:
  - Impermeabilizante
  - Fita de reparação e solução de reparação
  - Spray de silicone para os fechos-éclair

Problema	Solução
Dificuldades em insuflar a tenda de tejadilho	<ul style="list-style-type: none"><li>▶ Verifique se a válvula está completamente aparafusada na vareta de ar.</li><li>▶ Verifique se o tubo de insuflação está torcido na válvula. Isto pode ser indicado por um ruído. Destorça o tubo de insuflação.</li><li>▶ Verifique se a bomba elétrica está a funcionar.</li></ul>
Parte da tenda de tejadilho não esvazia	<ul style="list-style-type: none"><li>▶ Verifique se todas as válvulas de isolamento que ligam as varetas de ar estão abertas.</li></ul>
Varetas de ar dobradas	<ul style="list-style-type: none"><li>▶ Acrescente mais ar (9 psi/0,62 bar).</li></ul>
Fuga de ar	<ul style="list-style-type: none"><li>▶ Verifique se a válvula está completamente aparafusada na vareta de ar e se o anel de vedação está na posição correta.</li><li>▶ Verifique se a tampa da válvula está bem apertada.</li><li>▶ Verifique se existem furos, ver capítulo "Reparar um furo na vareta de ar" na página 42</li></ul>
Fuga de água	<ul style="list-style-type: none"><li>▶ Verifique se existem costuras com fugas, fitas danificadas e áreas húmidas.</li><li>▶ Se não conseguir detetar fugas, ver capítulo "Condensação" na página 42.</li><li>▶ Se detetar fugas, aplique uma massa de vedação de costuras.</li></ul>
Rasgo na lona	<ul style="list-style-type: none"><li>▶ Utilize a fita de reparação para vedar a lona.</li><li>▶ As reparações devem ser realizadas por um técnico qualificado autorizado.</li></ul>

## Condensação

Todas as tendas sofrem de condensação interior, se se verificarem uma ou várias das condições seguintes:

- Elevada humidade do ar
- Uma queda da temperatura

A condensação acentuada pode escorrer pelo interior do teto e pingar de cordas, fitas e outros acessórios internos, podendo ser confundida com infiltrações.

- ▶ Aumente a ventilação abrindo as portas e/ou as janelas.

## Reparar um furo na vareta de ar

Se a vareta de ar perder ar, proceda da seguinte forma:

1. Abra o fecho-éclair da manga exterior que suporta a vareta de ar.
  2. Feche as válvulas de isolamento, se estiverem instaladas.
  3. Retire a vareta de ar.
  4. Elimine o ar da vareta de ar.
  5. Abra o fecho-éclair da manga protetora para expor o tubo insuflável.
  6. Encha o tubo insuflável com um pouco de ar.
  7. Submerja o tubo em água.
  8. Localize o furo.
  9. Utilize a fita de reparação e a solução de reparação para vedar o orifício.
  10. Feche novamente o fecho-éclair do tubo insuflável na manga protetora.
  11. Feche novamente o fecho-éclair da vareta de ar na manga exterior.
- ▶ Tenha também em atenção as informações que constam em fig. 45, página 14 – fig. 46, página 14.

## Eliminação



- ▶ Sempre que possível, coloque o material de embalagem no respetivo contentor de reciclagem.
- ▶ Informe-se junto do centro de reciclagem ou revendedor mais próximo sobre como eliminar este produto de acordo com as disposições de eliminação aplicáveis.
- ▶ O produto pode ser eliminado gratuitamente.

## Garantia

Aplica-se o prazo de garantia legal. Se o produto apresentar defeitos, contacte o seu revendedor ou a filial do fabricante no seu país (ver [dometic.com/dealer](http://dometic.com/dealer)).

Para fins de reparação e do processamento da garantia, envie também os seguintes documentos quando devolver o produto:

- Uma cópia da fatura com a data de aquisição
- Um motivo de reclamação ou uma descrição da falha

Tenha em atenção que as reparações feitas por si ou por não profissionais podem ter consequências sobre a segurança e anular a garantia.

A garantia cobre defeitos de fabrico, materiais e peças. A garantia não cobre a descoloração do revestimento nem a deterioração causada por radiação UV, uso indevido, danos acidentais, danos causados por tempestade, nem danos devidos à utilização permanente, semipermanente ou comercial. A presente garantia não cobre danos subsequentes. Em caso de reclamação, contacte o seu revendedor. Estas disposições não afetam os seus direitos legais.

## Dados técnicos

	<b>TRT140 AIR</b>
Altura do colchão de espuma	3,2 cm/1,3 in
Altura da camada anticondensação	0,5 cm/0,2 in
Espaço interior útil (L x A x P)	55 x 43 x 83 in 140 x 110 x máx 210 cm
Dimensões da tenda exterior (L x A x P)	57 x 47 x 86 in 145 x 120 x máx 219 cm
Dimensões da embalagem da tenda (L x A x P)	59 x 13 x 32 in 149 x 33 x máx 82 cm
Dimensões da embalagem da escada e acessórios (L x A x P)	31 x 5 x 20 in 79 x 12 x máx 49,5 cm
Peso (inclusive escada)	57,65 kg/127,1 lbs

	<b>Bomba Gale 12 V</b>
Tensão	12 V=
Débito	100 l/26 gal/min ± 10%
Tempo de operação	máximo 15 min
Emissão de ruído	32 dB
Dimensões (L x A x P)	11 x 3,5 x 7,9 in/ 280 x 90 x 200 mm
Peso	1,79 kg/3,9 lb

Si prega di leggere attentamente e di seguire tutte le istruzioni, le linee guida e le avvertenze incluse in questo manuale del prodotto, al fine di garantire che il prodotto venga sempre installato, utilizzato e mantenuto nel modo corretto. Queste istruzioni DEVONO essere conservate insieme al prodotto.

Utilizzando il prodotto, l'utente conferma di aver letto attentamente tutte le istruzioni, le linee guida e le avvertenze e di aver compreso e accettato di rispettare i termini e le condizioni qui espressamente indicati. L'utente accetta di utilizzare questo prodotto solo per lo scopo e l'applicazione previsti e in conformità con le istruzioni, le linee guida e le avvertenze indicate nel presente manuale del prodotto, nonché in conformità con tutte le leggi e i regolamenti applicabili. La mancata lettura e osservanza delle istruzioni e delle avvertenze qui espressamente indicate può causare lesioni personali e a terzi, danni al prodotto o ad altre proprietà nelle vicinanze. Il presente manuale del prodotto, comprese le istruzioni, le linee guida e le avvertenze e la relativa documentazione possono essere soggetti a modifiche e aggiornamenti. Per informazioni aggiornate sul prodotto, si prega di visitare il sito [documents.dometic.com](http://documents.dometic.com), [dometic.com](http://dometic.com).

## Spiegazione dei simboli



### PERICOLO!

**Istruzione per la sicurezza:** indica una situazione di pericolo che, se non evitata, provoca lesioni gravi o mortali.



### AVVERTENZA!

**Istruzione per la sicurezza:** indica una situazione di pericolo che, se non evitata, potrebbe provocare lesioni gravi o mortali.



### ATTENZIONE!

**Istruzione per la sicurezza:** indica una situazione di pericolo che, se non evitata, potrebbe provocare lesioni di entità lieve o moderata.



### AVVISO!

Indica una situazione di pericolo che, se non evitata, può provocare danni alle cose.



### NOTA

Informazioni supplementari relative all'impiego del prodotto.

## Istruzioni generali per la sicurezza



**PERICOLO! La mancata osservanza di questa istruzione causerà lesioni gravi o mortali.**

### Pericolo di avvelenamento da monossido di carbonio

- Non utilizzare mai un apparecchio a combustibile come barbecue o riscaldatori a gas all'interno della tenda. Il processo di combustione produce monossido di carbonio che si accumula all'interno della tenda per l'assenza di una canna fumaria.



**AVVERTENZA! La mancata osservanza di queste avvertenze potrebbe causare la morte o lesioni gravi.**

### Pericolo di incendio

- Assicurarsi di essere a conoscenza delle misure antincendio valide sul posto.
- Non cucinare nella tenda e non utilizzare fiamme libere.
- Tenere tutte le fiamme e le fonti di calore lontano dal tessuto della tenda.

### Pericolo di asfissia

- Assicurarsi che le aperture di ventilazione siano sempre aperte per evitare il soffocamento.

### Rischio di lesioni

- Questo dispositivo non è destinato all'uso da parte di persone (compresi i bambini) con ridotte capacità fisiche, sensoriali o mentali.
- Non permettere ai bambini di giocare intorno alla tenda o al suo interno e assicurarsi che stiano attenti quando utilizzano la scala.
- La pulizia e la manutenzione da parte dell'utente non possono essere eseguite da bambini lasciati soli.

- Controllare sempre le previsioni del tempo prima di montare e utilizzare la tenda da tetto.
  - Non usare la tenda da tetto se è prevista una tempesta o un temporale.
  - Se si viene sorpresi da un temporale, abbandonare immediatamente la tenda da tetto e mettersi al sicuro all'interno del veicolo. Rimanere all'interno del veicolo fino alla fine del temporale per evitare di essere colpiti da un fulmine.
  - Non montare, usare o richiudere la tenda da tetto in presenza di forte vento.
  - Non richiudere la tenda da tetto in caso di forte pioggia.
- Non utilizzare la tenda da tetto se una parte o uno dei suoi componenti è visibilmente danneggiato. Contattare il produttore per richiedere assistenza.
- Utilizzare solo portapacchi collaudati (ad es. omologazione GS) e approvati per essere utilizzati sul proprio veicolo.
- Prima di montare la tenda da tetto, assicurarsi che il veicolo e il portapacchi dispongano di una capacità di carico sufficiente per la tenda da tetto e le persone e gli oggetti che troveranno posto al suo interno.



### NOTA

- Tenere sempre a portata di mano i manuali del veicolo e del portapacchi e seguire le istruzioni ivi contenute.

## Sicurezza durante l'uso della scala



**ATTENZIONE! La mancata osservanza di queste precauzioni potrebbe causare lesioni lievi o moderate. Rischio di lesioni**

- Dopo la consegna e prima di ogni utilizzo, verificare che la scala non sia danneggiata e sia sicura da utilizzare. Non utilizzare una scala danneggiata.
  - Esiste il rischio di caduta durante la salita, la discesa e l'uso generale della scala. La scala deve essere usata in modo da tenere il rischio di caduta più basso possibile.
    - Mantenere una presa salda sulla scala.
    - Non sporgersi lateralmente.
    - Salire e scendere solo stando di fronte alla scala.
  - Solo una persona per volta può salire sulla scala.
  - Non appoggiare la scala su un terreno irregolare, instabile o contaminato.
  - Non trasportare attrezzature pesanti o difficili da maneggiare durante l'uso della scala.
  - Non indossare calzature non idonee quando si sale la scala.
  - Non utilizzare la scala se è sporca, ad esempio di fango o neve.
  - Non utilizzare la scala in caso di limitazioni fisiche. Alcune condizioni di salute, l'uso di farmaci, l'abuso di alcol o droghe possono comportare rischi per la sicurezza quando si utilizza la scala.
  - Assicurarsi che i meccanismi di bloccaggio di tutti i segmenti estesi siano bloccati prima di trasportare, usare e riporre la scala.
  - Durante il montaggio e l'uso della scala, prestare attenzione al rischio di collisioni, ad esempio con pedoni, veicoli o porte. Chiudere le porte (tranne le uscite di emergenza) e le finestre nell'area di utilizzo, se possibile.
  - Non modificare in alcun modo la scala o i suoi componenti.
- AVVISO! Rischio di danni**
- Rispettare il carico totale massimo specificato della scala.





## Sicurezza durante il trasporto della tenda da tetto sul tetto del veicolo



**AVVERTENZA! La mancata osservanza di queste avvertenze potrebbe causare la morte o lesioni gravi. Rischio di lesioni**

- Viaggiare con la tenda da tetto posizionata sul tetto del veicolo solo dopo averla ripiegata e coperta correttamente con l'apposito telo.
- Non superare una velocità di 110 km/h (88 mph) con la tenda da tetto installata sul tetto del veicolo.
- All'inizio di ogni viaggio e a intervalli regolari nel corso di ogni viaggio, controllare che la tenda da tetto sia saldamente fissata al portapacchi e che il telo di protezione sia fissato in modo sicuro. Un portapacchi o una tenda da tetto montati in modo errato possono cadere durante il viaggio e causare lesioni agli altri utenti della strada.
- Riporre correttamente la scala sopra la tenda da tetto ripiegata e sotto il telo di protezione della tenda per evitare che la scala cada e ferisca altri utenti della strada durante il viaggio.
- Adattare il proprio comportamento di guida (ad esempio la sensibilità al vento trasversale, il comportamento in curva e durante la frenata) in modo da compensare la variazione di altezza del veicolo.



**AVVISO! Rischio di danni**

- La tenda da tetto aumenta l'altezza del veicolo. Fare attenzione ad accessi, ponti o rami bassi e ad altri ostacoli.
- Rimuovere la tenda da tetto e il portapacchi quando si accede a un autolavaggio automatico.



**NOTA**

- Il rumore del vento può verificarsi quando si guida con la tenda da tetto posizionata sul tetto del veicolo.

## Sicurezza durante l'uso della pompa elettrica Gale 12 V



**AVVERTENZA! La mancata osservanza di queste avvertenze potrebbe causare la morte o lesioni gravi. Pericolo di scosse elettriche**

- Se la pompa elettrica presenta danni visibili, non metterla in funzione.
- Per evitare possibili pericoli legati alla sicurezza, se il cavo di alimentazione della pompa elettrica è danneggiato deve essere sostituito dal produttore, da un addetto del servizio di assistenza oppure da personale ugualmente qualificato.
- Questa pompa elettrica può essere riparata solo da personale qualificato. Riparazioni eseguite non correttamente possono creare considerevoli rischi.
- Non utilizzare la pompa ad aria elettrica in ambienti bagnati né immergerla in sostanze liquide. Conservare in un luogo asciutto.



**ATTENZIONE! La mancata osservanza di queste precauzioni potrebbe causare lesioni lievi o moderate. Pericolo di scosse elettriche**

- Prima di avviare la pompa ad aria elettrica, assicurarsi che il cavo di alimentazione e la spina siano asciutti e che la spina sia priva di ruggine o corpi estranei.
- Scollegare la pompa ad aria elettrica dall'alimentazione
  - prima di effettuare operazioni di pulizia e manutenzione
  - dopo ogni utilizzo

## Rischio di lesioni

- Questo dispositivo non è adatto per essere impiegato da persone (bambini inclusi) con ridotte capacità fisiche, sensoriali o psichiche o prive di esperienza e di conoscenze specifiche, a meno che non siano sorvegliate da una persona competente o non siano state adeguatamente istruite sull'impiego dell'apparecchio da parte di una persona addeba alla sicurezza.
- Tenere bambini e animali domestici lontano dalla pompa elettrica durante il funzionamento.
- Non dirigere il flusso d'aria sul viso o sul corpo.
- Rispettare la pressione dell'aria consigliata.
- La pulizia e la manutenzione da parte dell'utente non possono essere eseguite da bambini lasciati soli.



**AVVISO! Rischio di danni**

- Verificare che i dati della tensione riportati sulla targhetta dei dati corrispondano a quelli relativi all'alimentazione elettrica.
- Collegare la pompa elettrica a un'alimentazione elettrica CC nel veicolo solo con il cavo di corrente continua.
- Non posizionare l'apparecchio in prossimità di fiamme libere o di altre fonti di calore (radiatori, diretta esposizione ai raggi solari, forni a gas ecc.).
- Non lasciare l'apparecchio in funzione senza sorveglianza.
- Non estrarre mai la spina dalla presa tirando il cavo.

## Dotazione

Componente	Quantità
Tenda da tetto	1
Scala telescopica	1
Copertura in PVC	1
Borsa per gli attrezzi	1
Staffa a U	4
Bullone M8 x 50	8
Vite M8 x 16	4
Rondella M8 da 1 mm	8
Rondella svitata M8	12
Rondella M8 da 1,5 mm	4
Dado ad alette M8	4
Piastra sezione in alluminio	12
Dado ruota in plastica M8	8
Tappo terminale in plastica	4
Pompa elettrica Gale da 12 V	1
Tubo flessibile dell'aria	1
Adattatore ugello	6
Tasca per la custodia	2
Rete portaoggetti	1
Tubo flessibile di estensione (1,4 m)	1

## Accessori

Disponibili come accessori (non in dotazione):

Componente	N. art.
TRT 140 AIR Awning Low	9120002119
TRT 140 AIR Awning Tall	9120002120
Pompa manuale	9120000439

## Destinazione d'uso

Questa tenda da tetto è adatta per:

- montaggio su un apposito portapacchi sul tetto di un veicolo consono
- tempo da buono a moderato
- viaggi itineranti.

Questa tenda da tetto **non** è adatta per:

- uso da parte di persone con ridotte capacità fisiche, sensoriali o mentali
- venti molto forti o nevicate
- uso stagionale o commerciale.

La scala è destinata al fissaggio a questa tenda da tetto. La scala può essere utilizzata solo in combinazione con questa tenda da tetto; **non** può essere utilizzata da sola.

La scala **non** è destinata all'uso professionale.

Questo prodotto è adatto solo per l'uso e l'applicazione previsti in conformità con le presenti istruzioni.

Il presente manuale fornisce le informazioni necessarie per la corretta installazione e/o il funzionamento del prodotto. Un'installazione errata e/o un utilizzo o una manutenzione impropri comporteranno prestazioni insoddisfacenti e un possibile guasto.

Il produttore non si assume alcuna responsabilità per eventuali lesioni o danni al prodotto che derivino da:

- montaggio o collegamento non corretti, compresa la sovratensione
- manutenzione non corretta o uso di ricambi diversi da quelli originali forniti dal produttore
- modifiche al prodotto senza esplicita autorizzazione del produttore
- impiego per scopi diversi da quelli descritti nel presente manuale.

Dometic si riserva il diritto di modificare l'aspetto e le specifiche del prodotto.

## Descrizione delle caratteristiche tecniche

La tenda da tetto è dotata di airpole che possono essere riempiti con una singola valvola.

La scala fissata alla tenda da tetto può essere adattata all'altezza del veicolo.

La tenda da tetto include un materasso in schiuma ad alta densità.

Per il trasporto sul tetto di un veicolo, la tenda da tetto può essere richiusa e coperta con l'apposito telo in dotazione.

Il portapacchi su cui deve essere installata la tenda da tetto deve soddisfare i seguenti requisiti:

- Il portapacchi deve avere una portata di almeno 75 kg/165 lb per consentire la marcia con la tenda da tetto installata.
- La larghezza del portapacchi deve essere di almeno 68 cm/27 in.
- Le due guide del portapacchi devono trovarsi a una distanza compresa tra 70 cm/28 in e 125 cm/50 in.

## Uso della tenda da tetto



### AVVERTENZA! Rischio di lesioni

- Assicurarsi che la tenda da tetto sia fissata saldamente al portapacchi prima di salire sulla scala.
- Assicurarsi che ogni gradino della scala sia bloccato prima di salire sulla scala.
- Salire sempre sulla scala con cautela.
- Chiudere la porta d'ingresso della tenda da tetto prima di andare a dormire per evitare di cadere dalla tenda nel sonno.
- Se due persone utilizzano la tenda da tetto, assicurarsi che non si siedano contemporaneamente nella parte posteriore o anteriore o su un lato della tenda. La tenda può cadere se il peso di due persone è concentrato su un lato della tenda (fig. 33, pagina 11).
- Prima di guidare con la tenda da tetto montata, assicurarsi sempre che la copertura sia fissata correttamente (fig. 44, pagina 13).



### ATTENZIONE! Rischio di lesioni

Non aprire mai la cerniera della guaina di protezione mentre si gonfia un AirPole. Questo provocherà lo scoppio dell'AirPole.



### AVVISO! Danni materiali

- Tenere aperta la finestra laterale della tenda da tetto mentre si monta o si ripiega la tenda da tetto.
- Non aprire o chiudere le cerniere con la forza.



### NOTA

Durante l'uso della tenda utilizzare i vani portaoggetti integrati, in modo che non cadano oggetti e per evitare di dimenticarli nella tenda quando viene chiusa (fig. 31, pagina 10).

## Prima del primo uso

Familiarizzare con il prodotto eseguendo un test di prova prima di utilizzarlo per la prima volta. Controllare se la forniture è completa.

### Bagnare il prodotto oppure esporlo alla pioggia prima del primo utilizzo

Il prodotto è realizzato con materiali che richiedono la preparazione prima dell'uso per ottimizzare la resistenza alle intemperie.

1. Installare completamente il prodotto all'esterno quando è prevista pioggia o dove è possibile bagnarli completamente con un tubo flessibile.

Questo processo di bagnatura è chiamato "weathering". La bagnatura stringe il tessuto e permette al cotone del filo da cucito di gonfiarsi, riempiendo i fori fatti dall'ago durante la produzione.

2. Lasciare asciugare completamente il prodotto prima di riporlo.

Seguendo questo processo prima del primo utilizzo si garantisce che la resistenza agli agenti atmosferici del prodotto migliorerà con le successive bagnature.

## Montaggio della tenda da tetto



### ATTENZIONE! Rischio di lesioni

- Sollevare la tenda da tetto sul veicolo solo insieme a un'altra persona.
- Assicurarsi che nessun'altra persona, in particolare i bambini, si trovi nelle vicinanze del veicolo quando si è intenti a sollevare la tenda sul tetto del veicolo assieme a una seconda persona.



### NOTA

Il lato della tenda da tetto in cui verrà montata la scala è contrassegnato. Allineare la tenda da tetto in modo che la portiera del conducente del veicolo non sia bloccata dalla scala estesa (fig. 4, pagina 3).

- Per montare la tenda da tetto, procedere come indicato in figura (fig. 2, pagina 3 – fig. 15, pagina 6).

## Sollevamento della tenda da tetto



### ATTENZIONE! Pericolo di lesioni e danni materiali

- Non utilizzare compressori progettati per gonfiare le gomme dell'auto.
- Gonfiare gli AirPole solo fino a una pressione massima di 9psi/0,62bar.
- Non mettere le dita nell'area di scorrimento durante il montaggio o la regolazione della scala.

- Per montare la tenda da tetto, procedere come indicato in figura (fig. 16, pagina 6 – fig. 36, pagina 11).

## Chiusura della tenda da tetto



### ATTENZIONE! Pericolo di schiacciamento

Non mettere le dita nell'area di scorrimento quando si chiude la scala.



### NOTA

I cursori blu sul gradino inferiore della scala sbloccano tutti i segmenti contemporaneamente in modo da poter chiudere la scala (fig. 41, pagina 13).

- Per montare la tenda da tetto, procedere come indicato in figura (fig. 37, pagina 12 – fig. 44, pagina 13).

## Utilizzo della pompa elettrica Gale da 12 V

La pompa elettrica Gale da 12 V è dotata di un sistema di induzione della pressione e si spegne automaticamente non appena viene raggiunta la pressione preimpostata. Il sistema di induzione della pressione funziona con un margine di errore di  $\pm 0,5$  psi.



### AVVISO! Rischio di surriscaldamento

- Assicurarsi che la pompa elettrica sia sufficientemente ventilata durante il funzionamento.
- Non far funzionare la pompa elettrica in modo continuo per più di 15 minuti poiché il motore potrebbe surriscaldarsi.  
Lasciare raffreddare la pompa elettrica per 30 minuti dopo 15 minuti di uso continuo.



### NOTA

- Se non viene premuto alcun pulsante per 30 secondi, il display LCD passa al modo stand-by. Premere un pulsante qualsiasi per riattivarlo.
- Inizialmente la lettura della pressione sul display LCD richiede un po' di tempo per aumentare. Si tratta di un fenomeno normale, poiché inizialmente è necessaria una grande quantità di aria per riempire l'airframe prima che venga rilevata una variazione significativa della pressione.

## Utilizzo della scala



### ATTENZIONE! Rischio di lesioni

Assicurarsi che i meccanismi di bloccaggio di tutti i segmenti estesi siano bloccati prima di utilizzare la scala.



### AVVISO! Rischio di danni

Assicurarsi di non superare il carico totale massimo della scala. Il carico totale massimo è di 130 kg/ 287 lb.



## Montaggio della scala



### ATTENZIONE! Rischio di lesioni

Rispettare l'angolo di montaggio consigliato di 65° – 75° (fig. 22, pagina 8).

I cursori dei meccanismi di bloccaggio possono essere spostati in due posizioni per bloccare o sbloccare i segmenti (fig. 21, pagina 8):

- Spostare i cursori su entrambi i lati della scala su  per bloccare il segmento (fig. 21 A, pagina 8).
- Spostare i cursori su entrambi i lati della scala su  per sbloccare il segmento (fig. 21 B, pagina 8).

## Immagazzinamento

### Riporre la tenda da tetto e la scala



### ATTENZIONE! Rischio di lesioni

- La scala può rimanere montata sulla tenda da tetto per essere riposta. Assicurarsi che la scala sia completamente chiusa e che i meccanismi di bloccaggio di tutti i segmenti della scala siano bloccati.
- Dopo aver smontato la scala dalla tenda da tetto, riporla in una posizione in cui rimarrà diritta (ad esempio, posizionata su una superficie piana).



### AVVISO! Rischio di danni

Il cursore e i cappucci terminali dei piedini della scala sono realizzati in plastica. Riporre la scala in un luogo protetto dalle radiazioni UV.

1. Smontare la tenda da tetto dal portapacchi.
2. Se necessario, pulire la tenda del tetto e la scala.
3. Assicurarsi che la tenda da tetto e la scala siano completamente asciutte prima di riporre.
4. Conservare in un luogo asciutto e ben ventilato.

### Riporre la pompa elettrica Gale da 12 V.

1. Se necessario, pulire la pompa elettrica Gale da 12 V.
2. Inserire la spina nell'apertura presente.
3. Assicurarsi che il cavo di alimentazione e il tubo flessibile dell'aria non siano incastrati o attorcigliati prima di riporre la pompa.
4. Conservare in un luogo asciutto e ben ventilato.

## Pulizia e manutenzione



### AVVERTENZA! Rischio di lesioni

Eseguire la pulizia e la manutenzione della tenda da tetto esclusivamente a terra. Non salire mai sul veicolo per eseguire la pulizia della tenda da tetto quando quest'ultima è montata sul tetto.



### AVVISO! Rischio di danni

- Non utilizzare oggetti appuntiti o duri o detergenti per la pulizia.
- Non utilizzare per la pulizia materiali a base di alcol, prodotti chimici, sapone e detergenti.
- Rimuovere gli escrementi di uccelli e la resina degli alberi il più presto possibile per evitare danni permanenti al materiale.
- Non tentare di introdurre alcun oggetto nella porta di gonfiaggio della pompa elettrica Gale da 12 V poiché ciò potrebbe danneggiare il meccanismo interno della pompa.
- Le riparazioni della scala devono essere eseguite solo da una persona competente.



### NOTA

- Montare completamente la tenda da tetto e la scala per la pulizia.
- Scegliere una giornata soleggiata per eseguire la pulizia in modo da garantire che il materiale si asciughi completamente.

- ▶ Se necessario, pulire la tenda da tetto e la scala con acqua pulita e una spazzola morbida.
- ▶ Eseguire un trattamento impregnante contro l'acqua e i raggi UV sulla tenda da tetto prima di ogni viaggio.
- ▶ Pulire di tanto in tanto la pompa Gale con un panno umido.

## Ispezione della scala



### ATTENZIONE! Rischio di lesioni

Non utilizzare la scala se non è possibile soddisfare completamente le ispezioni riportate nella lista seguente.

Eseguire le seguenti ispezioni dopo la consegna e prima di ogni utilizzo:

- ▶ Controllare che la scala o i componenti della scala non siano piegati, ammaccati, eccessivamente usurati, corrosi o danneggiati.
- ▶ Controllare che i dispositivi di fissaggio, i cursori e i cappucci terminali dei piedini della scala non siano mancanti o allentati.
- ▶ Controllare che i cursori si innestino correttamente sui pioli.
- ▶ Controllare che l'intera scala sia priva di contaminanti (ad esempio fango o neve).

## Risoluzione dei problemi



### NOTA

- Durante la prima esposizione all'acqua può essere presente un po' di umidità sulle cuciture. A causa dell'umidità i fili si gonfiano e riempiono i fori che si creano durante il processo di cucitura.
- Un kit di ricambi completo deve includere:
  - impermeabilizzante
  - nastro di riparazione e soluzione di riparazione
  - spray al silicone per cerniere

Problema	Soluzione
La tenda da tetto si gonfia solo con difficoltà	<ul style="list-style-type: none"><li>▶ Controllare che la valvola sia completamente avvitata nell'AirPole.</li><li>▶ Controllare se il tubo di gonfiaggio è attorcigliato in corrispondenza della valvola. In tal caso si dovrebbero sentire dei rumori. Disticare il tubo di gonfiaggio.</li><li>▶ Controllare che la pompa elettrica funzioni.</li></ul>
Una parte della tenda da tetto non si sgonfia	<ul style="list-style-type: none"><li>▶ Controllare che tutte le valvole di isolamento che collegano gli AirPole siano aperte.</li></ul>
Gli AirPole sono piegati	<ul style="list-style-type: none"><li>▶ Aggiungere più aria (9 psi/0,62 bar).</li></ul>
Perdita d'aria	<ul style="list-style-type: none"><li>▶ Controllare che la valvola sia completamente avvitata nell'AirPole e che la guarnizione ad anello sia in posizione.</li><li>▶ Controllare che il tappo della valvola sia serrato saldamente.</li><li>▶ Controllare che non vi siano forature, vedi capitolo "Riparazione di una foratura nell'AirPole" a pagina 48.</li></ul>
Perdita d'acqua	<ul style="list-style-type: none"><li>▶ Controllare che non vi siano cuciture che perdono, nastri danneggiati e zone umide.</li><li>▶ Se non si riscontrano perdite, consultare il capitolo "Condensa" a pagina 48.</li><li>▶ Se si riscontrano perdite, applicare il sigillante per cuciture.</li></ul>
Strappo nel tessuto	<ul style="list-style-type: none"><li>▶ Riparare la perforazione utilizzando nastro adesivo.</li><li>▶ Far eseguire le riparazioni da uno specialista autorizzato.</li></ul>

## Condensa

Tutte le tende sono affette da condensa interna se si verificano una o più delle seguenti condizioni:

- elevata umidità dell'aria
- un calo di temperatura

Una forte condensa può colare dall'interno del tetto e gocciolare da fascette, nastri e altri raccordi interni ed essere scambiata per una perdita.

- ▶ Aumentare la ventilazione aprendo porte e/o finestre.

## Riparazione di una foratura nell'AirPole

Se l'AirPole perde aria, procedere nel seguente modo:

1. Aprire la cerniera del manicotto esterno che sostiene l'AirPole.
  2. Se installate, chiudere le valvole di isolamento.
  3. Rimuovere l'AirPole.
  4. Sgonfiare l'AirPole.
  5. Aprire la cerniera del manicotto di protezione per esporre il tubo gonfiabile.
  6. Soffiare un po' d'aria nel tubo gonfiabile.
  7. Immergere il tubo in acqua.
  8. Localizzare la foratura.
  9. Usare il nastro adesivo e la soluzione di riparazione per sigillare il foro.
  10. Chiudere la cerniera del manicotto di protezione in cui è inserito il tubo gonfiabile.
  11. Chiudere la cerniera del manicotto esterno in cui è inserito l'AirPole.
- ▶ Attenersi anche alle informazioni fornite nella fig. 45, pagina 14 – fig. 46, pagina 14.

## Smaltimento



- Raccogliere il materiale di imballaggio possibilmente negli appositi contenitori di riciclaggio.
- Consultare il centro locale di riciclaggio o il rivenditore specializzato per informazioni su come smaltire il prodotto secondo le norme sullo smaltimento applicabili.
- È possibile smaltire il prodotto gratuitamente.

## Garanzia

Vale il termine di garanzia previsto dalla legge. Se il prodotto è difettoso, contattare il rivenditore di fiducia o la filiale del fabbricante nel proprio Paese (vedi [dometic.com/dealer](http://dometic.com/dealer)).

Per la gestione della riparazione e della garanzia è necessario inviare la seguente documentazione insieme al prodotto:

- una copia della ricevuta con la data di acquisto,
- il motivo della richiesta o la descrizione del guasto.

Tenere presente che le riparazioni eseguite in autonomia o da personale non professionista possono avere conseguenze sulla sicurezza e invalidare la garanzia.

La garanzia copre difetti di fabbricazione, materiali e componenti. La garanzia non copre lo scolorimento del telo di protezione né l'usura derivanti da raggi UV, uso improprio, danni accidentali, danni da intemperie o uso permanente, semipermanente o commerciale. Non copre i danni risultanti. Si prega di contattare il proprio distributore per eventuali reclami. Questo non influisce sui diritti statutari dell'utente.

## Specifiche tecniche

	<b>TRT140 AIR</b>
Profondità del materasso in schiuma	3,2 cm/1,3 in
Profondità dello strato anticondensa	0,5 cm/0,2 in
Spazio interno utile (L x A x P)	55 x 43 x 83 in 140 x 110 x 210 cm
Dimensioni tenda esterna (L x A x P)	57 x 47 x 86 in 145 x 120 x 219 cm
Dimensioni d'ingombro della tenda (L x A x P)	59 x 13 x 32 in 149 x 33 x 82 cm
Dimensioni d'ingombro della scala e degli accessori (L x A x P)	31 x 5 x 20 in 79 x 12 x 49,5 cm
Peso (scala compresa)	57,65 kg/127,1 lbs

	<b>Pompa Gale da 12 V</b>
Tensione	12 V $\overline{=}$
Portata	100 l/26 gal\min $\pm$ 10%
Durata di funzionamento	massimo 15 min
Emissioni acustiche	32 dB
Dimensioni (L x A x P)	11 x 3,5 x 7,9 pollici/ 280 x 90 x 200 mm
Peso	1,79 kg\3,9 lb

Lees deze gebruiksaanwijzing zorgvuldig door en volg alle instructies, richtlijnen en waarschuwingen in deze handleiding op om ervoor te zorgen dat u het product te allen tijde op de juiste manier installeert, gebruikt en onderhoudt. Deze gebruiksaanwijzing MOET bij dit product bewaard worden.

Door het product te gebruiken, bevestigt u hierbij dat u alle instructies, richtlijnen en waarschuwingen zorgvuldig hebt gelezen en dat u de voorwaarden zoals hierin beschreven begrijpt en accepteert. U gaat ermee akkoord dit product alleen te gebruiken voor het beoogde doel en de beoogde toepassing en in overeenstemming met de instructies, richtlijnen en waarschuwingen zoals beschreven in deze gebruiksaanwijzing en in overeenstemming met de geldende wet- en regelgeving. Het niet lezen en opvolgen van de hierin beschreven instructies en waarschuwingen kan leiden tot letsel voor uzelf en anderen, schade aan uw product of schade aan andere eigendommen in de omgeving. Deze gebruiksaanwijzing, met inbegrip van de instructies, richtlijnen en waarschuwingen, en de bijbehorende documentatie kan onderhevig zijn aan wijzigingen en updates. Actuele productinformatie vindt u op [documents.dometic.com](http://documents.dometic.com), [dometic.com](http://dometic.com).

## Verklaring van de symbolen



### GEVAAR!

**Veiligheidsaanwijzing:** duidt op een gevaarlijke situatie die, indien deze niet wordt voorkomen, leidt tot ernstig letsel of de dood.



### WAARSCHUWING!

**Veiligheidsaanwijzing:** duidt op een gevaarlijke situatie die, indien deze niet wordt voorkomen, kan leiden tot ernstig letsel of de dood.



### VOORZICHTIG!

**Veiligheidsaanwijzing:** duidt op een gevaarlijke situatie die, indien deze niet wordt voorkomen, kan leiden tot licht of matig letsel.



### LET OP!

Duidt op een situatie die, indien deze niet wordt voorkomen, kan leiden tot materiële schade.



### INSTRUCTIE

Aanvullende informatie voor het gebruik van het product.

## Algemene veiligheidsaanwijzingen



**GEVAAR! Niet-inachtneming van deze instructie leidt tot ernstig letsel of de dood.**

### Gevaar voor koolmonoxidevergiftiging

- Gebruik nooit apparatuur op brandstof in de tent, bijvoorbeeld barbecues of gasbranders. Door het verbrandingsproces komt koolmonoxide vrij die zich in de tent verzamelt, omdat deze geen rookkanaal heeft.



**WAARSCHUWING! Het niet in acht nemen van deze waarschuwingen kan leiden tot ernstig letsel of de dood.**

### Brandgevaar

- Zorg ervoor dat u bekend bent met de brandpreventie-maatregelen ter plaatse.
- Gebruik de tent niet om in te koken en gebruik er geen open vuur.
- Houd alle vlammen en hittebronnen uit de buurt van het tentdoek.

### Gevaar voor verstikking

- Zorg ervoor dat alle ventilatieopeningen te allen tijde open zijn om verstikking te voorkomen.

### Gevaar voor letsel

- Dit toestel is niet bestemd voor gebruik door personen (inclusief kinderen) met lichamelijke, zintuiglijke of geestelijke beperkingen.
- Laat kinderen niet rond of in de tent spelen en zorg ervoor dat ze voorzichtig zijn bij het gebruik van de ladder.
- Reiniging en onderhoud mogen niet worden uitgevoerd door kinderen zonder toezicht.

- Controleer altijd het weerbericht voor opzetten en gebruiken van de daktent.
  - Gebruik de daktent niet als er een storm of onweer wordt voorspeld.
  - Als u in onweer terechtkomt, verlaat de daktent dan onmiddellijk en ga voor uw eigen veiligheid in uw voertuig zitten. Blijf in het voertuig tot het onweer voorbij is om te voorkomen door een bliksem geraakt te worden.
  - Zet de daktent of de ladder niet op en gebruik deze niet als het hard waait.
  - Vouw de daktent niet in als het hard regent.
- Gebruik de daktent niet als er een onderdeel of een van de componenten zichtbaar is beschadigd. Neem contact op met de fabrikant voor assistentie.
- Gebruik alleen geteste (bijv. GS-test) dakdragers die zijn goedgekeurd voor het gebruik met uw voertuig.
- Controleer voor het bevestigen van de daktent of het voertuig en de dakdrager voldoende draagvermogen hebben voor de daktent en de personen en voorwerpen in de tent.



### INSTRUCTIE

- Houd de handleidingen van het voertuig en de dakdrager altijd bij u en volg de instructies.

## Veiligheid bij het gebruik van de ladder



**VOORZICHTIG! Het niet in acht nemen van deze waarschuwingen kan leiden tot licht of matig letsel.**

### Gevaar voor letsel

- Controleer na de levering en vóór elk gebruik of de ladder niet beschadigd is en veilig kan worden gebruikt. Gebruik de ladder niet als deze beschadigd is.
  - Er bestaat valgevaar vallen tijdens het gebruik van de ladder. Gebruik de ladder zodanig dat valgevaar zo laag mogelijk wordt gehouden.
    - Houd de ladder stevig vast.
    - Leun niet opzij.
    - Ga alleen omhoog en omlaag op de ladder met het gezicht naar de ladder.
  - Betreed de ladder niet met meer dan één persoon tegelijk.
  - Zet de ladder niet op een oneffen, onstabiele of vervuilde ondergrond.
  - Draag tijdens het gebruik van de ladder geen zware of moeilijk te hanteren spullen.
  - Draag geen ongeschikt schoeisel wanneer u op de ladder klimt.
  - Gebruik de ladder niet als deze vuil is, bijvoorbeeld door modder of sneeuw.
  - Gebruik de ladder niet in geval van fysieke beperkingen. Bepaalde aandoeningen, het gebruik van medicijnen, alcohol- of drugsmisbruik kunnen een veiligheidsrisico vormen bij het gebruik van de ladder.
  - Zorg ervoor dat de vergrendelingsmechanismen voor alle uitgeschoven segmenten zijn vergrendeld voor transport, elk gebruik en opslag van de ladder.
  - Let bij het opstellen en gebruik van de ladder op botsingsgevaar, bijvoorbeeld met voetgangers, voertuigen of deuren. Sluit indien mogelijk deuren (behalve nooduitgangen) en ramen in de gebruikszone.
  - Modificeer de ladder of onderdelen ervan op geen enkele wijze.
- LET OP! Gevaar voor schade**
- Neem de gespecificeerde maximale totale belasting van de ladder in acht.



## Veiligheid bij het transporteren van de daktent op een voertuig



**WAARSCHUWING! Het niet in acht nemen van deze waarschuwingen kan leiden tot ernstig letsel of de dood.**

### Gevaar voor letsel

- Rijd alleen met de daktent op het dak van het voertuig als de daktent is ingevouwen en correct is afgedekt met de tentafdekking.
- Rijd niet harder dan 110 km/h (88 mph) met de daktent op het dak van het voertuig.
- Controleer voor elke reis en regelmatig gedurende de reis of de daktent goed aan de dakdrager is bevestigd en of de tentafdekking veilig is vastgemaakt. Een onjuist gemonteerde dakdrager of daktent kan tijdens het rijden van het dak vallen en andere weggebruikers verwonden.
- Berg de ladder correct op bovenop de neergeklapte daktent en onder de tentafdekking, om te voorkomen dat de ladder eraf valt en een gevaar vormt voor andere weggebruikers.
- Pas uw rijstijl aan (bijv. bij zijwind, het nemen van bochten en afremmen) aan de nieuwe hoogte van uw voertuig.



### LET OP! Gevaar voor schade

- De daktent verhoogt het gewicht van het voertuig. Let op lage ingangen, lage bruggen, lage takken en andere obstakels.
- Demonteer de daktent en de dakdrager voor gebruik van een automatische wasstraat.



### INSTRUCTIE

- Er kunnen windgeluiden ontstaan tijdens het rijden met een daktent op het dak van het voertuig.

## Veiligheid bij het gebruik van de elektrische 12V-pomp Gale



**WAARSCHUWING! Het niet in acht nemen van deze waarschuwingen kan leiden tot ernstig letsel of de dood.**

### Gevaar voor elektrische schokken

- Gebruik de elektrische pomp niet als deze zichtbaar beschadigd is.
- Als de stroomkabel van de elektrische pomp beschadigd is, moet deze, om gevaren te voorkomen, worden vervangen door de fabrikant, een klantenservice of gelijkwaardig bevoegd personeel.
- Reparaties aan deze elektrische pomp mogen uitsluitend worden uitgevoerd door bevoegd personeel. Ondeskundige reparaties kunnen leiden tot aanzienlijke gevaren.
- Gebruik de elektrische luchtpomp niet onder vochtige omstandigheden en dompel deze niet onder in een vloeistof. Berg het toestel op op een droge plaats.



**VOORZICHTIG! Het niet in acht nemen van deze waarschuwingen kan leiden tot licht of matig letsel.**

### Gevaar voor elektrische schokken

- Voordat u de elektrische luchtpomp start, moet u ervoor zorgen dat het netsnoer en de stekker droog zijn en de stekker vrij is van roest of vuil.
- Ontkoppel de elektrische luchtpomp van de stroomvoorziening
  - Voor elke reiniging en elk onderhoud
  - Na elk gebruik

## Gevaar voor letsel

- Dit toestel mag niet worden gebruikt door personen (inclusief kinderen) met een lichamelijke, zintuiglijke of geestelijke beperking of gebrek aan ervaring of kennis, tenzij zij onder toezicht staan of zijn geïnstrueerd in het gebruik van het toestel door een volwassene die verantwoordelijk is voor hun veiligheid.
- Houd kinderen en huisdieren buiten bereik van de elektrische pomp wanneer deze in werking is.
- Richt de luchtstroom niet op iemands gezicht of lichaam.
- Houd de aanbevolen luchtdruk aan.
- Reiniging en onderhoud mogen niet worden uitgevoerd door kinderen zonder toezicht.



### LET OP! Gevaar voor schade

- Vergelijk de spanningsgegevens op het typeplaatje met de beschikbare energievoorziening.
- Sluit de elektrische pomp alleen met de gelijkstroomkabel aan op de gelijkstroomvoeding van het voertuig.
- Plaats het toestel niet in de buurt van open vuur of andere warmtebronnen (verwarming, direct zonlicht, gasovens etc.).
- Laat het toestel niet onbeheerd achter als het in werking is.
- Trek de stekker nooit aan de kabel uit het stopcontact.

## Omvang van de levering

Onderdeel	Aantal
Daktent	1
Telescopische ladder	1
PVC-afdekking	1
Gereedschapstas	1
U-vormige beugel	4
Bout M8 x 50	8
Schroef M8 x 16	4
Sluitring M8 1 mm	8
Veerring M8	12
Sluitring M8 1,5 mm	4
Vleugelmoer M8	4
Aluminium borgplaat	12
Kunststof gripmoer M8	8
Kunststof einddop	4
Elektrische pomp Gale, 12 V	1
Lucht slang	1
Mondstukadapter	6
Opbergzakje	2
Opbergnet	1
Verlengslang (1,4 m)	1

## Accessoires

Verkrijgbaar als accessoire (niet bij de levering inbegrepen):

Onderdeel	Artikelnr.
TRT 140 AIR Awning Low	9120002119
TRT 140 AIR Awning Tall	9120002120
Handpomp	9120000439

## Beoogd gebruik

Deze daktent is geschikt voor:

- Bevestiging op een geschikte dakdrager op het dak van een geschikt voertuig
- Goed tot matig weer
- Rondreizen

Deze daktent is **niet** geschikt voor:

- Gebruik door personen met lichamelijke, zintuiglijke of geestelijke beperkingen
- Harde wind of sneeuw
- Seizoensplaatsen of commercieel gebruik

De ladder is bedoeld voor bevestiging aan deze daktent. De ladder mag alleen worden gebruikt in combinatie met deze daktent en mag **niet** onafhankelijk worden gebruikt.

De ladder is **niet** bedoeld voor professioneel gebruik.

Dit product is alleen geschikt voor het beoogde gebruik en de toepassing in overeenstemming met deze gebruiksaanwijzing.

Deze handleiding geeft informatie die nodig is voor een correcte installatie en/of correct gebruik van het product. Een slechte installatie en/of onjuist gebruik of onderhoud leidt tot onbevredigende prestaties en mogelijke storingen.

De fabrikant aanvaardt geen aansprakelijkheid voor letsel of schade aan het product die het gevolg is van:

- Onjuiste montage of aansluiting, inclusief te hoge spanning
- Onjuist onderhoud of gebruik van andere dan door de fabrikant geleverde originele reserveonderdelen
- Wijzigingen aan het product zonder uitdrukkelijke toestemming van de fabrikant
- Gebruik voor andere doeleinden dan beschreven in deze handleiding

Dometic behoudt zich het recht voor om het uiterlijk en de specificaties van het product te wijzigen.

## Technische beschrijving

De daktent is uitgerust met opblaasbare AIR-palen die kunnen worden gevuld met één klep.

De ladder die is bevestigd aan de daktent kan worden aangepast aan de hoogte van het voertuig.

De daktent heeft ook een koudschuimmatras.

Voor transport op het dak van een voertuig kan de daktent worden ingevouwen en afgedekt met de bijgeleverde tentafdekking.

De dakdrager waarop de daktent moet worden geïnstalleerd moet aan de volgende vereisten voldoen:

- De dakdrager moet ten minste 75 kg/165 lbs kunnen dragen om te mogen rijden met gemonteerde daktent.
- De breedte van de dakdrager moet ten minste 68 cm/27 in bedragen.
- De twee rails van de dakdrager moeten tussen 70 cm/28 in en 125 cm/50 in uit elkaar liggen.

## De daktent gebruiken



### WAARSCHUWING! Gevaar voor letsel

- Zorg ervoor dat de daktent stevig aan de dakdrager is bevestigd alvorens de ladder op te klimmen.
- Zorg ervoor dat elke trede van de ladder is vergrendeld voordat u de ladder opklimt.
- Klim altijd voorzichtig op de ladder.
- Sluit de ingang van de daktent voor het slapen om te voorkomen dat u tijdens het slapen naar beneden valt.
- Als twee mensen de daktent gebruiken, zorg er dan voor dat ze niet allebei achteraan, vooraan of aan één zijde van de tent zitten. De tent kan naar beneden vallen als het gewicht van twee personen zich aan één kant van de tent bevindt (afb. 33, pagina 11).
- Voordat u met de gemonteerde daktent gaat rijden, dient u er altijd voor te zorgen dat de afdekking goed is vastgezet (afb. 44, pagina 13).



### VOORZICHTIG! Gevaar voor letsel

Open de ritssluiting van de beschermhoes nooit als een AIR-paal is opgeblazen. Hierdoor zal de AIR-paal uiteenspatten.



### LET OP! Materiële schade

- Houd het zijraam van de daktent open tijdens het opzetten of invouwen van de daktent.
- Open of sluit de ritssluitingen niet met grote kracht.



### INSTRUCTIE

Gebruik de geïntegreerde opbergruimten tijdens het gebruik van de tent, zodat er niets naar beneden valt of in de tent wordt vergeten wanneer deze wordt neergeklapt (afb. 31, pagina 10).

## Voor het eerste gebruik

Maak uzelf vertrouwd met het product door de tent bij wijze van proef op te zetten, alvorens het product voor het eerst te gebruiken. Controleer of de levering compleet is.

### Het product voor het eerste gebruik verwerken

Het product is vervaardigd van materialen die voor gebruik moeten worden voorbereid om de weerbestendigheid te maximaliseren.

1. Zet het product volledig buiten op wanneer er regen wordt verwacht of op een plek waar u de buitenkant van het product kunt afspreken, zodat deze goed nat wordt.

Dit proces wordt verwerking genoemd. Het verwerkingsproces maakt de stof strakker en zorgt ervoor dat het katoen in het naaigaren opzwellt en de gaatjes opvult die tijdens het productieproces door de naaiaald zijn gemaakt.

2. Laat het product goed drogen voordat u het opbergt.

Door dit proces voor het eerste gebruik uit te voeren, zorgt u ervoor dat de weerbestendigheid van het product tijdens later gebruik steeds verder wordt verbeterd.

## De daktent bevestigen



### VOORZICHTIG! Gevaar voor letsel

- Til de daktent uitsluitend samen met een andere persoon op uw voertuig.
- Zorg ervoor dat er zich geen andere personen, met name kinderen, in de buurt van het voertuig bevinden wanneer u en de tweede persoon de daktent op het dak van het voertuig tillen.





### INSTRUCTIE

De zijde van de daktent waar de ladder wordt gemonteerd is gemarkeerd. Zorg ervoor dat de daktent zodanig is uitgelijnd, dat de bestuurdersportier van het voertuig niet wordt geblokkeerd door de uitgeschoven ladder (afb. 4, pagina 3).

- ▶ Ga te werk zoals afgebeeld om de daktent te monteren (afb. 2, pagina 3 – afb. 15, pagina 6).

### De daktent opzetten



#### VOORZICHTIG! Gevaar voor letsel en materiële schade

- Gebruik geen compressoren die bestemd zijn om autobanden op te pompen.
- Blaas de AIR-palen slechts op tot een maximale druk van 9 psi/0,62 bar.
- Houd vingers buiten het bereik van de sporten bij het opstellen of instellen van de ladder.

- ▶ Ga te werk zoals afgebeeld om de daktent op te zetten (afb. 16, pagina 6 – afb. 36, pagina 11).

### De daktent neerklappen



#### VOORZICHTIG! Gevaar voor beknelling

Houd vingers buiten het bereik van de sporten bij het in elkaar schuiven van de ladder.



### INSTRUCTIE

De blauwe schuiven op de onderste sport van de ladder ontgrendelen alle segmenten tegelijk, zodat de ladder in elkaar kan worden geschoven (afb. 41, pagina 13).

- ▶ Ga te werk zoals afgebeeld om daktent neer te klappen (afb. 37, pagina 12 – afb. 44, pagina 13).

## De elektrische 12V-pomp Gale gebruiken

De elektrische 12V-pomp Gale is voorzien van een drukinductiesysteem en schakelt automatisch uit zodra de vooraf ingestelde druk is bereikt. Het drukinductiesysteem werkt met een foutmarge van  $\pm 0,5$  psi.



#### LET OP! Gevaar voor oververhitting

- Zorg ervoor dat de elektrische pomp tijdens het gebruik voldoende wordt geventileerd.
- Gebruik de elektrische pomp niet langer dan 15 minuten achter elkaar, omdat anders de motor oververhit kan raken. Laat de elektrische pomp na 15 minuten continu gebruik 30 minuten afkoelen.



### INSTRUCTIE

- Als er gedurende 30 seconden geen knoppen zijn ingedrukt, schakelt het lcd-display naar de stand-bystand. Druk op een willekeurige knop om het weer te activeren.
- In het begin duurt het even voordat de drukmeting op het lcd-display toeneemt. Dit is normaal omdat er in eerste instantie een grote hoeveelheid lucht nodig is om het AIR-frame te vullen voordat er een duidelijke verandering in druk wordt gedetecteerd.

## De ladder gebruiken



#### VOORZICHTIG! Gevaar voor letsel

Zorg ervoor dat de vergrendelingsmechanismen voor alle uitgeschoven segmenten zijn vergrendeld voor gebruik van de ladder.



#### LET OP! Gevaar voor schade

Zorg ervoor dat de maximale totale belasting van de ladder niet wordt overschreden. De maximale totale belasting bedraagt 130 kg/287 lbs.

### De ladder opstellen



#### VOORZICHTIG! Gevaar voor letsel

Neem de aanbevolen opstelhoek van  $65^\circ - 75^\circ$  (afb. 22, pagina 8) in acht.

De schuiven van de vergrendelingsmechanismen kunnen in twee standen worden gezet om de segmenten te vergrendelen of ontgrendelen (afb. 21, pagina 8):

- ▶ Zet de schuiven aan beide zijden van de ladder op om het segment (afb. 21 A, pagina 8) te vergrendelen.
- ▶ Zet de schuiven aan beide zijden van de ladder op om het segment (afb. 21 B, pagina 8) te ontgrendelen.

## Opslag

### Opslag van de daktent en de ladder



#### VOORZICHTIG! Gevaar voor letsel

- De ladder kan voor opslag op de daktent gemonteerd blijven. Zorg ervoor dat de ladder volledig in elkaar is geschoven en dat de vergrendelmechanismen voor alle segmenten van de ladder zijn vergrendeld.
- Zorg er bij het demonteren van de ladder van de daktent voor opslag voor dat de ladder wordt opgeborgen op een plaats waar deze recht blijft (bijv. op een vlakke ondergrond).



#### LET OP! Gevaar voor schade

De schuif en de einddoppen van de ladderpoten zijn gemaakt van kunststof. Bewaar de ladder op een plaats waar deze beschermd is tegen UV-straling.

1. Demonteer de daktent van de dakdrager.
2. Reinig de daktent en de ladder indien nodig.
3. Zorg ervoor dat de daktent en de ladder volledig droog zijn voordat u deze opbergt.
4. Berg de tent op op een goed geventileerde, droge plek.

### De elektrische 12V-pomp Gale opslaan

1. Reinig de elektrische 12V-pomp Gale indien nodig.
2. Steek de stekker in de daarvoor bestemde opening.
3. Zorg ervoor dat het stroomkabel en de luchtslang niet bekneld of geknikt zijn voordat u deze wegpakt.
4. Berg de tent op op een goed geventileerde, droge plek.

## Reiniging en onderhoud



### WAARSCHUWING! Gevaar voor letsel

Reinig en onderhoud de daktent alleen op de grond. Klim nooit op het voertuig om de daktent te reinigen als deze op het dak is bevestigd.



### LET OP! Gevaar voor schade

- Gebruik geen scherpe of harde voorwerpen of bijtende schoonmaakmiddelen voor de reiniging.
- Gebruik geen middelen op alcoholbasis, chemicaliën, zeep en reinigingsmiddelen voor de reiniging.
- Verwijder vogelpoep en boomhars zo snel mogelijk om te voorkomen dat het materiaal permanent beschadigd raakt.
- Probeer geen voorwerpen in de opblaasaansluiting van de elektrische 12V-pomp Gale te steken, omdat deze het interne pompmechanisme kunnen beschadigen.
- Reparatie van de ladder mag alleen worden uitgevoerd door een bevoegde persoon.



### INSTRUCTIE

- Stel de daktent en de ladder volledig op voor reiniging.
- Kies een zonnige dag voor de reiniging om er zeker van te zijn dat het materiaal goed droogt.

- Reinig indien nodig de daktent en de ladder met schoon water en een zachte borstel.
- Breng voor elke rit impregnatie aan tegen water en UV-straling op de daktent.
- Reinig het de Gale pomp af en toe met een vochtige doek.

## De ladder inspecteren



### VOORZICHTIG! Gevaar voor letsel

Gebruik de ladder niet als niet volledig kan worden voldaan aan een van de inspecties in de volgende lijst.

Voer de volgende inspecties uit na aflevering en vóór elk gebruik:

- Controleer of de ladder of onderdelen van de ladder niet verbogen, gedeukt, overmatig versleten, gecorrodeerd of verrot zijn.
- Controleer of de bevestigingen, schuiven en einddoppen van de ladderpoten niet ontbreken of loszitten.
- Controleer of de schuiven goed op de sporten grijpen.
- Controleer of de gehele ladder vrij is van verontreinigingen (bijv. modder of sneeuw).

## Problemen oplossen



### INSTRUCTIE

- Tijdens de eerste blootstelling aan water kunnen de naden wat vochtig zijn. Door dit vocht zal de draad zwellen en de gaatjes opvullen die ontstaan zijn in het naai-proces.
- Een volledige set reserveonderdelen bevat:
  - Vochtwerend middel
  - Reparatietape en reparatieoplossing
  - Siliconenspray voor de ritssluitingen

Probleem	Oplossing
Daktent blaast moeilijk op	<ul style="list-style-type: none"><li>➤ Zorg ervoor dat de klep volledig in de AIR-paal is geschroefd.</li><li>➤ Controleer of de opblaaslang bij de klep is gedraaid. Dit kan worden gemerkt aan geluiden. Draai de opblaasbare buis recht.</li><li>➤ Controleer of de elektrische pomp werkt.</li></ul>
Een deel van de daktent loopt niet leeg	<ul style="list-style-type: none"><li>➤ Controleer of alle isolatiekleppen die de AIR-palen verbinden open zijn.</li></ul>
AIR-palen zijn geknikt	<ul style="list-style-type: none"><li>➤ Voeg meer lucht toe (9 psi/0,62 bar).</li></ul>
Luchtlek	<ul style="list-style-type: none"><li>➤ Zorg ervoor dat de klep volledig in de AIR-paal is geschroefd en dat de ringafdichting op haar plek zit.</li><li>➤ Controleer of de dop van de klep goed vastzit.</li><li>➤ Controleer op gaatjes, zie hoofdstuk „Een gaatje in de Air-Pole repareren” op pagina 54</li></ul>
Waterlek	<ul style="list-style-type: none"><li>➤ Controleer op lekkende naden, beschadigde tape en vochtige plekken.</li><li>➤ Als u geen lekkages kunt vinden, zie hoofdstuk „Condensatie” op pagina 54.</li><li>➤ Als u lekkages vindt, brengt u naadafdichtingsmiddel aan.</li></ul>
Scheur in het doek	<ul style="list-style-type: none"><li>➤ Gebruik reparatietape om het doek te dichteren.</li><li>➤ Laat reparaties uitvoeren door een geautoriseerd vakbedrijf.</li></ul>

## Condensatie

Alle tenten ondervinden condensvorming indien één of meerdere van de volgende omstandigheden van toepassing zijn:

- Hoge luchtvochtigheid
- Temperatuurval

Sterke condensvorming kan langs de binnenzijde van het dak stromen en van koorden, tapes en andere bevestigingen druppelen en worden verward met lekkage.

- Zorg voor meer ventilatie door deuren en/of ramen te openen.

## Een gaatje in de AirPole repareren

Als de AirPole lucht verliest, gaat u als volgt te werk:

1. Rits de buitenste hoes los waar de AirPole in zit.
  2. Sluit de isolatieventielen, indien geïnstalleerd.
  3. Verwijder de AirPole.
  4. Laat de AirPole leeglopen.
  5. Rits de beschermhoes open om de opblaasbare buis bloot te leggen.
  6. Pomp wat lucht in de opblaasbare buis.
  7. Dompel de buis onder in water.
  8. Zoek het gaatje.
  9. Gebruik reparatietape en reparatieoplossing om het gaatje te dichteren.
  10. Rits de opblaasbare buis weer in de beschermhoes.
  11. Rits de AirPole weer in de buitenste hoes.
- Lees ook de informatie in afb. 45, pagina 14 – afb. 46, pagina 14.

## Verwijdering



- ▶ Gooi het verpakkingsmateriaal indien mogelijk altijd in recyclingafvalbakken.
- ▶ Vraag het dichtstbijzijnde recyclingcentrum of uw dealer naar informatie over hoe het product kan worden weggegooid in overeenstemming met alle van toepassing zijnde nationale en lokale regelgeving.
- ▶ Het product kan gratis worden afgevoerd.

## Garantie

De wettelijke garantietermijn is van toepassing. Als het product defect is, neem dan contact op met de detailhandel of met het filiaal van de fabrikant in uw land (zie [dometic.com/dealer](http://dometic.com/dealer)).

Stuur voor de afhandeling van reparaties of garantie de volgende documenten mee:

- Een kopie van de factuur met datum van aankoop
- De reden voor de claim of een beschrijving van de fout

Houd er rekening mee dat eigenmachtige of niet-professionele reparatie gevolgen voor de veiligheid kan hebben en dat de garantie hierdoor kan komen te vervallen.

De garantie dekt productiefouten, materialen en onderdelen. De garantie dekt geen verbleking van het tentdoek en slijtage en schade als gevolg van uv-straling, onjuist gebruik, onopzettelijke schade, stormschade en permanent, semipermanent of commercieel gebruik. De garantie dekt geen enkele vorm van gevolgschade. Neem voor claims contact op met uw handelaar. Dit heeft geen invloed op uw wettelijke rechten.

## Technische gegevens

	<b>TRT140 AIR</b>
Dikte schuimmatras	3,2 cm/1,3 in
Diepte anticondensaag	0,5 cm/0,2 in
Bruikbare binnenruimte (b x h x d)	55 x 43 x 83 in 140 x 110 x 210 cm
Afmetingen buitentent (b x h x d)	57 x 47 x 86 in 145 x 120 x 219 cm
Verpakkingsafmetingen tent (b x h x d)	59 x 13 x 32 in 149 x 33 x 82 cm
Verpakkingsafmetingen ladder en accessoires (b x h x d)	31 x 5 x 20 in 79 x 12 x 49,5 cm
Gewicht (inclusief ladder)	57,65 kg/127,1 lbs

	<b>Elektrische 12V-pomp Gale</b>
Spanning	12 V==
Pompsnelheid	100 l/26 gal/min ± 10%
Gebruiksduur	maximaal 15 minuten
Geluidsemissie	32 dB
Afmetingen (b x h x d)	11 x 3,5 x 7,9 in/280 x 90 x 200 mm
Gewicht	1,79 kg/3,9 lb

Læs og følg alle disse anvisninger, retningslinjer og advarsler i denne produktvejledning grundigt for at sikre, at du altid installerer, bruger og vedligeholder produktet korrekt. Disse anvisninger SKAL opbevares sammen med dette produkt.

Ved at benytte produktet bekræfter du hermed, at du har læst alle anvisninger, retningslinjer og advarsler grundigt, og at du forstår og er indforstået med de vilkår og betingelser, der er fastlagt heri. Du er indforstået med kun at bruge dette produkt til det beregnede formål og anvendelse i overensstemmelse med anvisningerne, retningslinjerne og advarslerne i denne produktvejledning samt i overensstemmelse med alle de gældende love og forskrifter. Manglende læsning og ignorering af disse anvisninger og advarsler kan medføre kvæstelser på dig selv og andre, skade på dit produkt eller skade på anden ejendom i nærheden. Der tages forbehold for eventuelle ændringer og opdateringer af denne produktvejledning samt anvisningerne, retningslinjerne og advarslerne samt den tilhørende dokumentation. Se [documents.dometic.com](http://documents.dometic.com), [dometic.com](http://dometic.com) for de nyeste produktinformationer.

## Forklaring af symboler



### FARE!

**Sikkerhedshenvisning:** Angiver en farlig situation, som medfører dødsfald eller alvorlig kvæstelse, såfremt den ikke undgås.



### ADVARSEL!

**Sikkerhedshenvisning:** Angiver en farlig situation, som kan medføre dødsfald eller alvorlig kvæstelse, såfremt den ikke undgås.



### FORSIGTIG!

**Sikkerhedshenvisning:** Angiver en farlig situation, som kan medføre mindre eller lette kvæstelser, såfremt den ikke undgås.



### VIGTIGT!

Angiver en situation, som kan medføre materielle skader, såfremt den ikke undgås.



### BEMÆRK

Supplerende oplysninger om betjening af produktet.

## Generelle sikkerhedshenvisninger



**FARE! Hvis dette ikke overholdes, vil det medføre dødelige eller alvorlige kvæstelser.**

### Fare for kulilteforgiftning

- Brug aldrig et apparat, der forbrænder brændstof som en grill eller gasvarmere, i teltet. Forbrændingsprocessen danner kulilte, som ophobes inde i teltet, da der ikke er noget træk.



**ADVARSEL! Manglende overholdelse af disse advarsler kan medføre dødelige eller alvorlige kvæstelser.**

### Brandfare

- Sørg for at kende brandbeskyttelsesforanstaltningerne på stedet.
- Undgå madlavning i teltet eller brug af åben ild.
- Hold alle flamme- og varmekilder væk fra stoffet til dette telt.

### Fare for kvælning

- Sørg for, at ventilationsåbningerne hele tiden er åbne for at undgå kvælning.

### Fare for kvæstelser

- Produktet er ikke beregnet til at blive brugt af personer (inklusive børn), som har nedsatte fysiske, sansemæssige eller mentale evner.
- Lad ikke børn lege omkring teltet, og sørg for at de er forsigtige, når de benytter stigen.
- Rengøring og brugerens vedligeholdelse må ikke udføres af børn uden opsyn.

- Tjek altid vejrudsigten, før du sætter tagteltet op og benytter det.
  - Du må ikke bruge tagteltet, hvis der er varslet stormvejr eller torden.
  - Hvis du bliver overrasket af et tordenvejr, skal du med det samme forlade tagteltet og begive dig selv i sikkerhed i dit køretøj. Bliv i køretøjet, indtil tordenvejret er forbi, så du ikke bliver ramt af lyn.
  - Du må ikke sætte tagteltet eller stigen op, benytte dem eller folde dem ned, hvis der er meget kraftig vind.
  - Du må ikke folde tagteltet ned i kraftigt regnvejr.
- Brug ikke tagteltet, hvis nogle af dets komponenter har synlige skader. Kontakt producenten for at få hjælp.
- Brug kun (f.eks. GS-testede) tagbagagebærere, som er godkendt til brug med dit køretøj.
- Før du monterer tagteltet, skal du kontrollere, at dit køretøj og din tagbagagebærer har en tilstrækkelig bæreevne til tagteltet og personer samt de genstande, der skal være inde i tagteltet.



### BEMÆRK

- Opbevar altid instruktionsbøgerne til køretøjet og tagbagagebærerne, og følg anvisningerne i dem.

## Sikkerhed ved brug af stigen



**FORSIGTIG! Manglende overholdelse af disse forsigtighedshenvisninger kan medføre mindre eller moderate kvæstelser.**

### Fare for kvæstelser

- Efter leveringen og før hver brug skal du kontrollere, at stigen ikke er beskadiget, og at den er sikker at bruge. Du må ikke bruge en beskadiget stige.
- Der er risiko for at falde ned under op- og nedstigning og almindelig brug af stigen. Stigen skal bruges på en sådan måde, at risikoen for at falde holdes så lav som muligt.
  - Sørg for at have et fast greb om stigen.
  - Læn dig ikke til en af siderne.
  - Gå kun op og ned med ansigtet vendt mod stigen.
- Stig ikke op på stigen flere end en person ad gangen.
- Stil ikke stigen op på en ujævn, ustabil eller forurennet undergrund.
- Bær ikke udstyr, som er tungt eller vanskeligt at håndtere, mens du benytter stigen.
- Bær ikke uegnet fodtøj, når du stiger op på stigen.
- Brug ikke stigen, hvis den er tilsmudset, f.eks. af mudder eller sne.
- Brug ikke stigen i tilfælde af fysiske begrænsninger. Bestemte sundhedstilstande, brug af medicin, alkohol og narkotikamisbrug kan medføre en sikkerhedsrisiko, når stigen er i brug.
- Kontrollér, at låsemekanismerne til alle forlængersegmenter er låst før transport, hver brug og opbevaring af stigen.
- Under opsætningen og brugen af stigen skal du være opmærksom på faren for kollisioner, f.eks. med fodgængere, køretøjer eller døre. Luk om muligt døre (bortset fra nødudgange) og vinduer i brugsområdet.
- Du må ikke ændre stigen eller nogen af dens komponenter på nogen måde.



### VIGTIGT! Fare for beskadigelse

- Overhold den oplyste maksimale samlede belastning for stigen.

## Sikkerhed under transport af tagteltet på taget af køretøjet



**ADVARSEL! Manglende overholdelse af disse advarsler kan medføre dødelige eller alvorlige kvæstelser.**

### Fare for kvæstelser

- Kør kun med tagteltet på taget af dit køretøj, hvis tagteltet er foldet ned og dækket korrekt med teltafdækningen.
- Du må ikke køre hurtigere end 110 km/t (88 mph) med tagteltet på taget af dit køretøj.
- Kontrollér før hver tur og regelmæssigt under hver tur, om tagteltet sidder fast på tagbagagebærerne, og at teltafdækningen sidder sikkert fast. En ukorrekt monteret tagbagagebærer eller tagtelt falde ned under turen og kvæster andre trafikanter.
- Opbevar stigen korrekt øverst på det nedfoldede tagtelt og under tagafdækningen for at undgå, at stigen falder af og kvæster andre medtrafikanter under turen.
- Tilpas din køreadfærd (f.eks. sidevindsfølsomhed, kørsel i sving og bremsninger), så der tages hensyn til køretøjets ændrede højde.



### VIGTIGT! Fare for beskadigelse

- Tagteltet forøger køretøjets højde. Vær opmærksom på lave gennemkørselshøjder, lave broer, lavt hængende grene og andre hindringer.
- Fjern tagteltet og tagbagagebærerne, når du vasker bilen i en automatisk vaskehal.



### BEMÆRK

- Der kan opstå vindstøj under kørslen med tagteltet på taget af et køretøj.

## Sikkerhed ved brug af den elektriske Gale-pumpe på 12 V



**ADVARSEL! Manglende overholdelse af disse advarsler kan medføre dødelige eller alvorlige kvæstelser.**

### Fare for elektrisk stød

- Hvis den elektriske pumpe har synlige beskadigelser, må du ikke tage den i brug.
- Hvis den elektriske pumpestrømkabel er beskadiget, skal det udskiftes af producenten eller dennes servicerepræsentant eller en tilsvarende uddannet person for at forhindre sikkerhedsfarer.
- Reparationer på den elektriske pumpe må kun foretages af kvalificeret personale. Ukorrekte reparationer kan medføre betydelige farer.
- Den elektriske luftpumpe må ikke bruges under våde forhold eller nedsænkes i væske. Skal opbevares et tørt sted.



**FORSIGTIG! Manglende overholdelse af disse forsigtighedshenvisninger kan medføre mindre eller moderate kvæstelser.**

### Fare for elektrisk stød

- Inden du starter den elektriske luftpumpe, skal du kontrollere, at strømkablet og stikket er tørre, og at stikket er fri for rust eller fremmedlegemer.
- Afbryd den elektriske luftpumpe fra strømforsyningen.
  - Før hver rengøring og vedligeholdelse
  - Efter hver brug

### Fare for kvæstelser

- Dette apparat er ikke beregnet til at blive anvendt af personer (inkl. børn), som har begrænsede fysiske, sanselige eller mentale evner eller er uerfarne eller uvidende, med mindre der er sørget for et passende opsyn eller udførlig vejledning i brugen af apparatet fra en person, der er ansvarlig for deres sikkerhed.

- Hold børn og kæledyr væk fra den elektriske pumpe under drift.
- Ret ikke luftstrømmen mod ansigt eller krop.
- Overhold det anbefalede lufttryk.
- Rengøring og brugerens vedligeholdelse må ikke udføres af børn uden opsyn.



### VIGTIGT! Fare for beskadigelse

- Kontrollér, at spændingsangivelsen på mærkepladen svarer til den fra energiforsyningen.
- Tilslut kun den elektriske pumpe til en jævnstrømsforsyning i køretøjet med jævnstrømskablet.
- Stil ikke apparatet i nærheden af åben ild eller andre varmekilder (varmeapparater, stærk sol, gasovne osv.).
- Du må ikke anvende apparatet uden opsyn.
- Træk aldrig stikket ud af stikdåsen med kablet.

## Leveringsomfang

Komponent	Antal
Tagtelt	1
Teleskopstige	1
PVC-afdækning	1
Værktøjspose	1
U-formet beslag	4
M8 x 50 bolt	8
M8 x 16 skrue	4
M8 1 mm skive	8
M8 uskruet skive	12
M8 1,5 mm skive	4
M8 vingemøtrik	4
Pladedel af aluminium	12
M8 hjulmøtrik af plast	8
Endekappe af plast	4
Elektrisk Gale-pumpe på 12 V	1
Luftslange	1
Dyseadapter	6
Lomme, opbevaringspose	2
Opbevaringsnet	1
Forlængerslange (1,4 m)	1

## Tilbehør

Kan fås som tilbehør (ikke indeholdt i leveringsomfanget):

Komponent	Art.nr.
TRT 140 AIR Awning Low	9120002119
TRT 140 AIR Awning Tall	9120002120
Håndpumpe	9120000439

## Korrekt brug

Dette tagtelt er beregnet til:

- montering på en egnet tagbagagebærer på et egnet køretøjs tag
- lette til moderate vejrforhold
- touring.

Dette tagtelt er **ikke** beregnet til:

- at blive brugt af personer med nedsatte fysiske sansemæssige eller mentale evner
- meget kraftige vindstyrker eller snefald
- fastligere eller erhvervmæssig brug.

Stigen er beregnet til at blive sat på dette tagtelt. Stigen må kun anvendes sammen med dette tagtelt og må **ikke** anvendes uafhængigt.

Stigen er **ikke** beregnet til erhvervmæssig anvendelse.

Dette produkt er kun egnet til dets beregnede formål og anvendelse i overensstemmelse med disse anvisninger.

Denne vejledning giver dig oplysninger om, hvad der er nødvendigt med henblik på en korrekt montering og/eller drift af produktet. Dårlig montering og/eller ukorrekt drift eller vedligeholdelse medfører utilstrækkelig ydeevne og mulige fejl.

Producenten påtager sig intet ansvar for kvæstelser eller skader i forbindelse med produktet, der skyldes:

- ukorrekt samling eller forbindelse inklusive for høj spænding
- ukorrekt vedligeholdelse eller brug af uoriginale reservedele, der ikke stammer fra producenten
- ændringer på produktet uden udtrykkelig tilladelse fra producenten
- brug til andre formål end dem, der er beskrevet i vejledningen.

Dometic forbeholder sig ret til at ændre produktets udseende og produktspecifikationer.

## Teknisk beskrivelse

Tagteltet er udstyret med AIR-stænger, som er pumpes op via én ventil.

Stigen, der er anbragt på tagteltet, kan monteres efter køretøjets højde.

Tagteltet leveres med en skummadras med høj tæthed.

I forbindelse med transport på taget af et køretøj kan tagteltet foldes ned og dækkes med den medfølgende teltafdækning.

Tagbagagebæreren, som tagteltet skal monteres på, skal opfylde følgende krav:

- Tagbagagebæreren skal kunne bære mindst 75 kg/165 lbs, så det er muligt at køre med det monterede tagtelt.
- Tagbagagebærerens bredde skal mindst være 68 cm/27 in.
- Tagbagagebærerens to skinner skal være mellem 70 cm/28 in og 125 cm/50 in fra hinanden.

## Brug af tagteltet



### ADVARSEL! Fare for kvæstelser

- Kontrollér, at tagteltet er anbragt fast på tagbagagebæreren, før du kravler op på stigen.
- Kontrollér, at hver trin på stigen er låst, før du kravler op på stigen.
- Vær altid forsigtig, når du kravler op og ned af stigen.
- Luk tagteltets indgangsdør, før du lægger dig til at sove, så du ikke falder ud af tagteltet, når du sover.
- Hvis to personer benytter tagteltet, skal du kontrollere, at de ikke begge sidder bagi, foran eller i samme side af teltet samtidigt. Teltet kan falde ned, hvis de to persons vægt befinder sig i én af teltets sider (fig. 33, side 11).
- Før der køres med det monterede tagtelt, skal du altid kontrollere, at afdækningen er spændt korrekt fast (fig. 44, side 13).



### FORSIGTIG! Fare for kvæstelser

Du må aldrig åbne lynlåsen til beskyttelseskraven, mens en AIR-stang pumpes op. Dette vil medføre, at AIR-stangen bryder.



### VIGTIGT! Materielle skader

- Hold tagteltets sideruder åbne, mens du sætter tagteltet op eller folder det ned.
- Du må ikke åbne eller lukke lynlåsen med brug af vold.



### BEMÆRK

Benyt de integrerede opbevaringsmuligheder, mens du bruger teltet, så der ikke er noget, der falder ned eller bliver gemt i teltet, når det foldes ned (fig. 31, side 10).

## Før første brug

Lær produktet at kende ved at foretage en prøveopsætning, før produktet anvendes første gang. Kontrollér, om leveringsomfanget er komplet.

### Sørg for at gøre dit produkt vejrbestandigt før den første brug

Produktet er fremstillet med materialer, der kræver forberedelse før brug for at optimere dets vejrbestandighed.

1. Sæt produktet op udenfor, når der forventes regn, eller hvor du kan sprøjte produktet grundigt med en vandslange, så det bliver helt vådt.

Dette kaldes også at gøre noget vejrbestandigt. Vejrbestandighedsprocessen sørger for, at stoffet strammes, så bomulden i den syede søm svulmer op og udfylder de huller, der er lavet af synålen under fremstillingsprocessen.

2. Lad produktet tørre grundigt, før det pakkes væk.

Ved at følge denne proces før den første brug sikres det, at produktet bliver mere vind- og vandtæt, når det efterfølgende bliver vådt.

## Montering af tagteltet



### FORSIGTIG! Fare for kvæstelser

- Løft kun tagteltet op på køretøjet med hjælp fra en assisterende person.
- Kontrollér, at ingen andre personer, især børn, er i nærheden af køretøjet, når du og din hjælper løfter tagteltet op på køretøjets tag.



### BEMÆRK

Tagteltets side, hvor stigen skal monteres, er markeret. Sørg for at justere tagteltet, så køretøjets førerør ikke blokeres af den udtrukne stige (fig. 4, side 3).

- Fortsæt som vist for at montere tagteltet (fig. 2, side 3 – fig. 15, side 6).

## Opsætning af tagteltet



### FORSIGTIG! Fare for kvæstelser og materielle skader

- Brug ikke nogen former for kompressorer, der er beregnet til oppumpning af bildæk.
- Pust kun AIR-stænger op indtil et maks. tryk på 9 psi/0,62 bar.
- Anbring ikke dine fingre i trinområdet, når du sætter stigen op eller justerer den.

- Fortsæt som vist for at sætte tagteltet op (fig. 16, side 6 – fig. 36, side 11).

## Nedfoldning af tagteltet



### **FORSIGTIG! Risiko for at komme i klemme**

Anbring ikke dine fingre i trinområdet, når du skubber stigen sammen.



### **BEMÆRK**

De blå glidere på stigens sidste trin låser alle segmenter op samtidigt, så stigen kan skubbes sammen (fig. 41, side 13).

- Fortsæt som vist for at folde tagteltet ned (fig. 37, side 12 – fig. 44, side 13).

## Brug af den elektriske Gale-pumpe på 12 V

Den elektriske Gale-pumpe på 12 V er udstyret med et trykinduktionssystem og slukker automatisk, når det forindstillede tryk er nået. Trykinduktionssystemet fungerer med en fejlmargen på  $\pm 0,5$  psi.



### **VIGTIGT! Risiko for overophedning**

- Kontrollér, at den elektriske pumpe er tilstrækkeligt ventileret under driften.
- Du må ikke benytte den elektriske pumpe i kontinuerlig drift i over 15 minutter, da motoren kan overophede. Lad den elektriske pumpe køle af i 30 minutter efter 15 minutters kontinuerlig brug.



### **BEMÆRK**

- Hvis der ikke er blevet trykket på nogen knapper i 30 sek., går LCD-displayet på standbytilstand. Tryk på en vilkårlig knap for at aktivere det igen.
- Det tager tid, før trykaflesningen på LCD-displayet øges. Dette er normalt, idet der indledningsvist er behov for en stor mængde luft til at fylde AIR-stellet, før der registreres nogen betydelig ændring i trykket.

## Brug af stigen



### **FORSIGTIG! Fare for kvæstelser**

Kontrollér, at låsemekanismerne til alle forlængersegmenter er låst før brug af stigen.



### **VIGTIGT! Fare for beskadigelse**

Kontrollér, at stigens maksimale belastning ikke overskrides. Den samlede maksimale belastning er 130 kg/ 287 lbs.



## Opsætning af stigen



### **FORSIGTIG! Fare for kvæstelser**

Overhold den anbefalede opsætningsvinkel på  $65^\circ - 75^\circ$  (fig. 22, side 8).

Gliderne til låsemekanismerne kan flyttes til to positioner for at låse eller oplåse segmenterne (fig. 21, side 8):

- Flyt gliderne på begge sider af stigen hen på  for at låse segmentet (fig. 21 A, side 8).
- Flyt gliderne på begge sider af stigen hen på  for at oplåse segmentet op (fig. 21 B, side 8).

## Opbevaring

### Opbevaring af tagteltet og stigen



#### **FORSIGTIG! Fare for kvæstelser**

- Stigen kan monteres på tagteltet med henblik på opbevaring. Kontrollér, at stigen er skubbet helt sammen, og at låsemekanismerne i alle af stigens segmenter er låste.
- Når stigen afmonteres fra tagteltet med henblik på opbevaring, skal du kontrollere, at stigen opbevares i en position, den fortsat vil være lige (f.eks. anbragt på en flad overflade).



#### **VIGTIGT! Fare for beskadigelse**

Stigens glider og endekapper på stigefødderne er fremstillet af plast. Opbevar stigen et sted, hvor den er beskyttet mod UV-stråling.

1. Afmonter tagteltet fra tagmagasinet.
2. Rengør om nødvendigt tagteltet og stigen.
3. Kontrollér, at tagteltet og stigen er helt tørre, før de pakkes væk.
4. Skal opbevares et tørt sted med god udluftning.

### Opbevaring af den elektriske Gale-pumpe på 12 V

1. Rengør om nødvendigt den elektriske Gale-pumpe på 12 V.
2. Sæt stikket i den pågældende åbning.
3. Sørg for, at strømledningen og luftslangen ikke sidder fast eller har knæk, før de pakkes væk.
4. Skal opbevares et tørt sted med god udluftning.

## Rengøring og vedligeholdelse



#### **ADVARSEL! Fare for kvæstelser**

Du må kun rengøre og vedligeholde tagteltet på jorden. Du må aldrig kravle op på køretøjet for at rengøre tagteltet, mens tagteltet er monteret på taget.



#### **VIGTIGT! Fare for beskadigelse**

- Du må ikke bruge skarpe eller hårde genstande eller rengøringsmidler under rengøringen.
- Brug ikke spritbaserede materialer, kemikalier, sæbe og rengøringsmidler under rengøringen.
- Fjern fugleklatte og træharpiks så hurtigt som muligt for at undgå, at materialet tager permanent skade.
- Prøv ikke på at sætte nogen genstand ind i oppustning-såbningen til den elektriske Gale-pumpe på 12 V, da disse kan beskadige den indvendige pumpeåbning.
- Stigen må kun repareres af en kompetent person.



#### **BEMÆRK**

- Sæt tagteltet og stigen helt op med henblik på rengøring.
- Vælg at gøre rent på en dag, hvor solen skinner, så du er sikker på, at materialet tørrer helt.

- Rengør tagteltet og stigen om nødvendigt med rent vand og en blød børste.
- Påfør imprægnering på tagteltet mod vand og UV-stråling før hver tur.
- Rengør af og til Gale-pumpen med en fugtig klud.

## Inspektion af stigen



#### **FORSIGTIG! Fare for kvæstelser**

Du må ikke bruge stigen, hvis nogen af inspektionerne i den følgende liste ikke kan opfyldes tilfredsstillende.

Foretag følgende inspektioner efter leveringen og før hver brug:

- ▶ Kontrollér, at stigen eller stigens komponenter ikke er bøjedede, har buler, er slidt kraftigt, er rustne eller tærede.
- ▶ Kontrollér, at fikseringerne, gliderne og endekapperne på stigens fødder ikke mangler eller sidder løst.
- ▶ Kontrollér, at gliderne går korrekt i indgreb på trinene.
- ▶ Kontrollér, at hele stigen er fri for urenheder (f.eks. mudder eller sne).

## Udbedring af fejl



### BEMÆRK

- Under den første udsættelse for vand kan der være lidt fugt på sømmene. Som følge af denne fugt svulmer trådene op og fylder de huller, der opstår under syningsprocessen.
- Et komplet udstyret reservedelssæt indeholder:
  - Vandtætningsmiddel
  - Reparationstape og reparationsmiddel
  - Silikonespray til lynlåsene

Problem	Løsning
Det er vanskeligt at pumpe tagteltet op	<ul style="list-style-type: none"> <li>▶ Kontrollér, at ventilen er skruet helt i luftstangen.</li> <li>▶ Kontrollér, om luftslangen er snoet ved ventilen. Dette kan indikeres med støj. Sørg for, at luftslangen ikke er snoet.</li> <li>▶ Kontrollér, at den elektriske pumpe fungerer.</li> </ul>
En del af tagteltet kan ikke tømme for luft	▶ Kontrollér, at alle isoleringsventiler, der forbinder luftstængerne, er åbne.
Luftstængerne har knæk	▶ Pump mere luft i (9 psi/0,62 bar).
Luftudslip	<ul style="list-style-type: none"> <li>▶ Kontrollér, at ventilen er skruet helt i luftstangen, og at ringtætningen sidder korrekt.</li> <li>▶ Kontrollér, at ventilhætten sidder spændt stramt på.</li> <li>▶ Kontrollér, om der er huller, se kapitlet „Reparation af et hul i luftstangen“ på side 60.</li> </ul>
Vandlækage	<ul style="list-style-type: none"> <li>▶ Kontrollér, om der er søm, der lækker, beskadigede bånd og fugtige områder.</li> <li>▶ Hvis du ikke kan finde lækager, se kapitlet „Dannelse af kondensat“ på side 60.</li> <li>▶ Påfør sømtætningsmiddel, hvis du finder lækager.</li> </ul>
Revne i stoffet	<ul style="list-style-type: none"> <li>▶ Brug reparationstape til at tætte stoffet.</li> <li>▶ Få reparationer udført hos en autoriseret specialist.</li> </ul>

## Dannelse af kondensat

Alle telte kan dugge indvendigt, hvis et eller flere af de følgende forhold gør sig gældende:

- Høj luftfugtighed
- Et temperaturfald

Kraftig kondensering kan løbe ned ad taget og dryppe ned på bindere, bånd og andre indvendige fittings, og man kunne forveksle det med lækage.

- ▶ Sørg for kraftigere udluftningen ved at åbne døre og/eller vinduer.

## Reparation af et hul i luftstangen

Gør følgende, hvis der mangler luft i luftstængerne:

1. Lyn yderkraven af luftstangen op.
2. Luk isoleringsventilerne, hvis de findes.
3. Fjern luftstangen.
4. Luk luften ud af luftstangen.
5. Lyn beskyttelseskraven af for at blotlægge luftslangen.
6. Pust luft i luftslangen.

7. Neddyk slangen i vand.
  8. Find hullet.
  9. Brug reparationstape og en reparationsopløsning for at tætte hullet.
  10. Lyn luftslangen tilbage på beskyttelseskraven.
  11. Lyn luftstangen tilbage på yderkraven.
- ▶ Se også oplysningerne i fig. 45, side 14 – fig. 46, side 14.

## Bortskaffelse



- ▶ Bortskaf så vidt muligt emballagen i affaldscontainerne til den pågældende type genbrugsaffald.
- ▶ Kontakt en lokal genbrugsstation eller din faghandel for at få de pågældende forskrifter om, hvordan du bortskaffer produktet i overensstemmelse med disse gældende forskrifter for bortskaffelse.
- ▶ Produktet kan bortskaffes uden gebyr.

## Garanti

Den lovbestemte garantiperiode gælder. Hvis produktet er defekt, bedes du kontakte din forhandler eller producentens afdeling i dit land (se [domestic.com/dealer](http://domestic.com/dealer)).

Ved reparation eller krav om garanti skal du medsende følgende bilag:

- En kopi af regningen med købsdato
- En reklameringsgrund eller en fejlbeskrivelse.

Vær opmærksom på, at egne eller uprofessionelle reparationer kan have sikkerhedsmæssige konsekvenser og kan gøre garantien ugyldig.

Garantien dækker produktionsfejl, materialer og dele. Garantien dækker ikke falmning af afdækningen og slitage samt UV-nedbrydning, misbrug, utilsigtet beskadigelse, stormskader, permanent eller halvpermanent brug eller brug i kommercielt øjemed. Den dækker ikke følgeskader. Kontakt din forhandler i forbindelse med krav. Dette påvirker ikke dine lov-mæssige krav.

## Tekniske data

	TRT140 AIR
Dybde for skummadras	3,2 cm/1,3 in
Lagdybde for antikondensering	0,5 cm/0,2 in
Anvendelig indendørs plads (B x H x D)	55 x 43 x 83 in 140 x 110 x 210 cm
Mål ydertelt (B x H x D)	57 x 47 x 86 in 145 x 120 x 219 cm
Emballagemål for telt (B x H x D)	59 x 13 x 32 in 149 x 33 x 82 cm
Emballagemål for stige og tilbehør (B x H x D)	31 x 5 x 20 in 79 x 12 x 49,5 cm
Vægt (inklusive stige)	57,65 kg/127,1 lbs

	Gale 12 V-pumpe
Spænding	12 V===
Leveringshastighed	100 l/26 gal/min ± 10%
Driftstid	Maks. 15 min.
Lydemission	32 dB
Mål (W x H x D)	11 x 3,5 x 7,9 in/ 280 x 90 x 200 mm
Vægt	1,79 kg/3,9 lb



Läs och följ noggrant alla instruktioner, direktiv och varningar i den här produkthandboken för att säkerställa att du alltid installerar, använder och underhåller produkten på rätt sätt. Dessa instruktioner MÅSTE förvaras tillsammans med produkten.

Genom att använda produkten bekräftar du härmed att du noggrant har läst alla instruktioner, direktiv och varningar och att du förstår och är införstådd med att följa de villkor som anges här. Du är införstådd med att endast använda denna produkt i avsett syfte och i enlighet med instruktionerna, direktiven och varningarna som anges i denna produkthandbok samt i enlighet med alla gällande lagar och bestämmelser. Om du inte läser och följer instruktionerna och varningarna som anges här kan det leda till personskador på dig eller andra, på produkten eller annan egendom i närheten. Denna produkthandbok, inklusive instruktionerna, direktiven och varningarna samt relaterad information, kan ändras och uppdateras. För uppdaterad produktinformation, besök [documents.dometic.com](http://documents.dometic.com), [dometic.com](http://dometic.com).

## Symbolförklaring



### FARA!

**Säkerhetsanvisning:** Anger en farlig situation som, om den inte kan undvikas, leder till döden eller allvarlig personskada.



### VARNING!

**Säkerhetsanvisning:** Anger en farlig situation som, om den inte kan undvikas, kan leda till döden eller allvarlig personskada.



### AKTA!

**Säkerhetsanvisning:** Anger en farlig situation som, om den inte kan undvikas, leder till lindrig eller måttlig personskada.



### OBSERVERA!

Anger en situation som, om den inte kan undvikas, kan leda till materiell skada.



### ANVISNING

Kompletterande information om användning av produkten.

## Allmänna säkerhetsanvisningar



**FARA! Om inte denna anvisning följs leder det till dödsfall eller allvarliga personskador.**

### Fara för kolmonoxidförgiftning

- Använd aldrig en förbränningsapparat som grill eller gasolkök inuti tältet. Förbränningen bildar kolmonoxid som samlas inuti tältet eftersom det inte finns någon ventilation.



**VARNING! Om man underlåter att följa de här varningarna kan följden bli dödsfall eller allvarlig personskada.**

### Brandrisk

- Observera brandskyddsanordningarna på platsen.
- Laga inte mat i tältet och använd inte öppen låga.
- Håll eldflammar och värmekällor borta från tältduken.

### Kvävningsrisk

- Kontrollera att ventilationsöppningarna alltid är öppna för att undvika kvävningsrisk.

### Risk för personskada

- Denna produkt är inte avsedd för att användas av personer (inklusive barn) med nedsatt fysisk, sensorisk eller mental förmåga.
- Låt inte barn leka i närheten av eller i tältet och se till att de är försiktiga när de använder stegen.
- Rengöring och användarunderhåll får inte genomföras av barn utan uppsikt.



### ANVISNING

- Ha alltid fordonets och taktältets bruksanvisningar med dig och följ anvisningarna i dem.

## Säkerhet vid användning av stegen



**AKTA! Om man underlåter att följa de här försiktighetsåtgärderna kan följden bli lindrig eller måttlig personskada.**

### Risk för personskada

- Efter leverans och före varje användning, kontrollera att stegen inte är skadad och säkert att använda. Använd inte en skadad steg.
- Det finns risk för olyckor när du klättrar upp och ned på stegen och vid allmän användning. Stegen måste användas så att risken för olyckor minimeras.
  - Håll ett stadigt tag om stegen.
  - Luta dig inte ut mot sidorna.
  - Klättra bara upp och ned med ansiktet vänt mot stegen.
- Bara en person åt gången får använda stegen.
- Placera inte stegen på ojämn, instabil eller kontaminerad mark.
- Bär inte på tung eller svårhanterlig utrustning när du använder stegen.
- Använd inte olämpliga skor när du klättrar på stegen.
- Använd inte stegen om den är smutsig, t.ex. med gyttja eller snö.
- Använd inte stegen om du har fysiska begränsningar. Vissa hälsotillstånd, mediciner, alkohol eller droger kan leda till säkerhetsrisker vid användning av stegen.
- Säkerställ att låsanordningarna på alla utdragna/inskjutna segment är låsta före varje användning, före transport och förvaring.
- Vid montering och användning av stegen, observera riskerna för kollisioner, t.ex. med gående, fordon eller dörrar. Stäng dörrar (förutom nödutgångar) och fönster i användningsområdet, om detta är möjligt.
- Ändra inte stegen eller dess komponenter på något sätt.



### OBSERVERA! Risk för skada

- Observera den specificerade maximala belastningen av stegen.

## Säkerhetsanvisningar när taktältet transporteras på fordonets tak



**WARNING! Om man underlåter att följa de här varningarna kan följden bli dödsfall eller allvarlig personskada.**

### Risk för personskada

- Kör bara med taktältet på fordonets tak när taktältet är nedfällt och övertäckt med tälthöljet på rätt sätt.
- Kör inte fortare än 110 km/h (88 mph) med taktältet på fordonets tak.
- Kontrollera innan färden börjar och därefter med jämna mellanrum under färden att taktältet sitter fast ordentligt i taktäcket och att tälthöljet sitter fast på ett säkert sätt. En felaktigt monterat taktäcke eller taktält kan falla ned under färden och orsaka olyckor för andra trafikanter.
- Förvara stegen korrekt ovanpå det nedfällna taktältet och under tältskyddet för att förhindra att stegen ramlar av under färden och skadar medtrafikanter.
- Anpassa ditt körsätt (t.ex. vid sidovind, kurvkörning och inbromsning) efter den ändrade fordonshöjden.



### OBSERVERA! Risk för skada

- Taktältet ökar fordonets vikt. Var uppmärksam på låga infarter, låga broar, lågt hängande grenar och andra hinder.
- Ta bort taktältet och taktäcket om du ska använda en biltvätt.



### ANVISNING

- Det kan uppstå ljud av vinden när du kör med taktältet på fordonets tak.

## Säkerhet vid användning av Gale 12 V elektrisk pump



**WARNING! Om man underlåter att följa de här varningarna kan följden bli dödsfall eller allvarlig personskada.**

### Risk för dödsfall på grund av elektricitet

- Använd inte den elektriska pumpen om den uppvisar synliga skador.
- Om den elektriska pumpens anslutningskabel skadas måste den, av säkerhetsskäl, bytas ut av tillverkaren, en servicerepresentant eller någon person med motsvarande behörighet.
- Den elektriska pumpen får endast repareras av kvalificerad personal. Om man utför reparationer på fel sätt kan man utsättas för avsevärda risker.
- Använd inte den elektriska luftpumpen i våta miljöer och sänk inte ned den i någon vätska. Förvaras torrt.



**AKTA! Om man underlåter att följa de här försiktighetsåtgärderna kan följden bli lindrig eller måttlig personskada.**

### Risk för dödsfall på grund av elektricitet

- Innan den elektriska luftpumpen startas måste du se till att elkabeln och kontakten är torra och att kontakten är fri från rost eller främmande material.
- Koppla bort den elektriska luftpumpen från strömförsörjningen
  - före varje rengörings- och underhållstillfälle
  - efter varje användning

## Risk för personskada

- Denna apparat får inte användas av personer (inklusive barn) med nedsatt fysisk, sensorisk eller mental förmåga, eller som inte har erfarenhet eller tillräckliga kunskaper, såvida inte apparaten används under uppsikt eller med tillräcklig vägledning av en person som ansvarar för säkerheten.
- Håll barn och husdjur borta från den elektriska pumpen medan den är igång.
- Rikta inte luftflödet direkt mot ansikte eller kropp.
- Följ rekommendationen om lufttryck.
- Rengöring och användarunderhåll får inte genomföras av barn utan uppsikt.



## OBSERVERA! Risk för skada

- Jämför spänningsuppgifterna på typskylten med elförsörjningen på plats.
- Den elektriska pumpen måste anslutas med likströmskabeln till likströmsuttaget i fordonet.
- Ställ inte upp apparaten i närheten av öppen eld eller andra värmekällor (värmeelement, starkt solljus, gasspisar osv.).
- Lämna inte apparaten utan uppsikt då den är igång.
- Dra aldrig ut stickkontakten ur uttaget genom att dra i kabeln.

## Leveransomfattning

Komponent	Mängd
Taktält	1
Teleskopstege	1
PVC-skydd	1
Verktygsväska	1
U-fäste	4
Bult M8 x 50	8
Skruv M8 x 16	4
Bricka M8 1 mm	8
Låsbricka M8	12
Bricka M8 1,5 mm	4
M8 vingmutter	4
Aluminiumplatta	12
Mutter med plastvred M8	8
Ändlock av plast	4
Gale 12 V elektrisk pump	1
Luftssläng	1
Munstycksadapter	6
Förvaringsväska	2
Förvaringsnät	1
Förlängningssläng (1,4 m)	1

## Tillbehör

Tillgänglig som tillbehör (ingår inte i leveransen):

Komponent	Art.nr
TRT 140 AIR Awning Low	9120002119
TRT 140 AIR Awning Tall	9120002120
Handpump	9120000439

## Avsedd användning

Det här taktältet passar för:

- Montering på ett passande takräcke på ett lämpligt fordonstak.
- Fint till måttligt dåligt väder
- Resor

Detta taktält passar **inte** för:

- Att användas av personer med nedsatt fysisk, sensorisk eller mental förmåga.
- Mycket hårda vindar eller snöfall
- Säsongscamping eller kommersiellt bruk

Stegen är avsedd för montering till detta taktält. Stegen får endast användas tillsammans med detta taktält och får **inte** användas separat.

Stegen är **inte** avsedd för professionellt bruk.

Den här produkten lämpar sig endast för avsedd användning i enlighet med denna bruksanvisning.

Den här manualen informerar om vad som krävs för att installera och/eller använda produkten på rätt sätt. Felaktig installation och/eller användning eller felaktigt underhåll kommer leda till att produkten inte fungerar optimalt och riskerar gå sönder.

Tillverkaren åtar sig inget ansvar för personskador eller materiella skador på produkten som uppstår till följd av:

- Felaktig montering eller anslutning, inklusive för hög spänning
- Felaktigt underhåll eller användning av reservdelar som inte är originaldelar från tillverkaren
- Ändringar som utförts utan uttryckligt medgivande från tillverkaren
- Användning för andra ändamål än de som beskrivs i denna bruksanvisning

Dometic förbehåller sig rätten att ändra produktens utseende och specifikationer.

## Teknisk beskrivning

Taktältet är utrustat med uppblåsbara AIR-stänger som kan fyllas med hjälp av en enda ventil.

Stegen till taktältet kan anpassas till fordonets höjd.

I taktältet ingår en madrass av högdensitetsskum.

Vid transport på fordonets tak kan taktältet fällas ner och täckas över med det medföljande tälthöljet.

Takräcket, på vilken taktältet ska installeras, måste motsvara följande krav:

- Takräcket måste klara av en last på minst 75 kg/165 lbs för att det ska vara tillåtet att köra med monterat taktält.
- Takräckets vidd måste vara minst 68 cm/27 in.
- Avståndet mellan de två skenorna på takräcket måste vara mellan 70 cm/28 in och 125 cm/50 in.

## Använda taktältet



### VARNING! Risk för personskada

- Säkerställ att taktältet sitter fast ordentligt på takräcket innan du klättrar upp på stegen.
- Säkerställ att varje steg på stegen är låst innan du klättrar upp på stegen.
- Var alltid försiktig när du klättrar på stegen.
- Stäng taktältets ingångsdörr innan du går och lägger dig så att du inte ramlar ut ur taktältet när du sover.
- Om två personer använder taktältet, se till att båda två inte sitter på samma sida (bak, fram eller en sida) i tältet samtidigt. Tältet kan falla ned om två personer sitter på en sida samtidigt (bild **33**, sida 11).
- Innan du kör med ett monterat taktält, se till att skyddet är ordentligt fastspänt (bild **44**, sida 13).



### AKTA! Risk för personskada

Öppna aldrig dragkedjan på skyddshöljet medan en AIR-stång är uppumpad. Detta leder till att AIR-stången spricker.



### OBSERVERA! Materiell skada

- Låt sidofönstret på taktältet vara öppet medan du sätter upp eller fäller ner taktältet.
- Öppna eller stäng inte dragkedjorna med våld.



### ANVISNING

Använd den integrerade förvaringen när du använder tältet, så att inget faller ned eller blir kvar i tältet när det fälls ned (bild **31**, sida 10).

## Före den första användningen

Bekanta dig med produkten genom att göra en testuppsättning innan produkten används på riktigt första gången. Kontrollera att allt finns som ska ingå i leveransen.

### Prova produktens väderbeständighet före första användningen

Produkten är tillverkad av material som behöver förberedas före användningen för att maxa väderbeständigheten.

1. Sätt upp produkten fullständigt utomhus om det väntas regn eller i de fall du kan blöta ner produkten med en slang.

Detta kallas för väderbeständighetsprovning. Under väderbeständighetsprovningen stramas tyget åt så att sytrådarna i bomullen kan svälla och fylla igen de hål som skapats av synålen vid tillverkningen.

2. Låt produkten torka ordentligt innan den packas undan.

Utför den här proceduren före den första användningen för att säkerställa att produktens väderbeständighet kommer att förbättras för varje blöt-läggning.

## Montera taktältet



### AKTA! Risk för personskada

- Lyft bara upp taktältet på ditt fordon tillsammans med en andra person.
- Se till att inga andra personer, särskilt inte barn, befinner sig nära fordonet när du och din medhjälpare lyfter upp taktältet på fordonets tak.



### ANVISNING

Den sida av taktältet där stegen ska monteras är markerad. Se till att sätta upp taktältet så att förardörren inte blockeras av den utdragna stegen (bild **4**, sida 3).

- För att montera taktältet, fortsätt enligt beskrivningen (bild **2**, sida 3 – bild **15**, sida 6).

## Sätta upp taktältet



### AKTA! Risk för personskador och materialskador

- Använd inte några kompressorer som är avsedda att pumpa bildäck.
- Blås bara upp AIR-stängerna till max. 0,62 bar/9 psi.
- Håll fingrarna borta från stegpinnarnas områden när du monterar eller justerar stegen.

- För att fälla upp taktältet, fortsätt enligt beskrivningen (bild **16**, sida 6 – bild **36**, sida 11).

## Fälla ner taktältet



### AKTA! Krossrisk

Håll fingrarna borta från stegpinnarnas områden när du skjuter ihop stegen.



### ANVISNING

De blå glidstyckena på stegens bottensteg låser upp alla segment så att stegen kan skjutas ihop (bild **41**, sida 13).

- För att fälla ned taktältet, fortsätt enligt beskrivningen (bild **37**, sida 12 – bild **44**, sida 13).

## Använda Gale 12 V elektrisk pump

Gale 12V elektrisk pump är utrustad med ett tryckinduktionssystem och stängs av automatiskt när det förinställda trycket är uppnått. Tryckinduktionssystemet har en felmarginal på  $\pm 0,5$  psi.



### OBSERVERA! Risk för överhettning

- Se till att den elektriska pumpen är tillräckligt ventilerad under hela användningen.
- Låt inte pumpen gå mer än 15 minuter eftersom motorn kan överhettas. Låt den elektriska pumpen svalna i 30 min. efter 15 min. användning.



### ANVISNING

- Om inga knappar trycks in under 30 sek. övergår LCD-displayen till standbyläge. Tryck på valfri knapp för återaktivering.
- Till att börja med tar det lite tid för tryckavläsningen att öka på LCD-displayen. Detta är normalt eftersom en stor mängd luft först måste pumpas in för att fylla AIR-frame innan ett tillräckligt tryck kan läsas av.

## Använda stegen



### AKTA! Risk för personskada

Säkerställ att låsanordningarna på alla utdragna segment är låsta före användningen av stegen.



### OBSERVERA! Risk för skada

Säkerställ att maximal belastning av stegen inte överskrids. Maximal belastning är 130 kg/287 lbs.

## Montera stegen



### AKTA! Risk för personskada

Observera den rekommenderade monteringsvinkeln på 65° – 75° (bild **22**, sida 8).

Skjutstyckena på låsanordningen kan flyttas till två lägen för låsning eller upplåsning av segmenten (bild **21**, sida 8):

- Skjut skjutstyckena på båda sidor av stegen till  för att låsa segmentet (bild **21 A**, sida 8).

- Skjut skjutstyckena på båda sidor av stegen till  för att låsa upp segmentet (bild **21 B**, sida 8).

## Förvaring

### Förvara taktältet och stegen



#### AKTA! Risk för personskada

- Stegen kan förvaras tillsammans med taktältet. Säkerställ att stegen är helt inskjuten och att låsanordningarna på alla segment på stegen är låsta.
- Om du demonterar stegen från taktältet för förvaring, säkerställ att stegen förvaras på en plats där den ligger rak (t.ex. placerad på en rak yta).



#### OBSERVERA! Risk för skada

Glidstyckena och ändlocken på stegens fötter är tillverkade av plast. Förvara stegen på en plats där den är skyddad mot UV-strålning.

1. Demontera taktältet från takracket.
2. Vid behov, rengör taktältet och stegen.
3. Säkerställ att taktältet och stegen är helt torra innan du stuvar undan dem.
4. Förvara på en torr och välventilerad plats.

### Förvara Gale 12 V elektrisk pump

1. Vid behov, rengör Gale 12 V elektrisk pump.
2. Sätt in kontakten i öppningen.
3. Säkerställ att kabeln och luftslangen inte fastnar eller knäcks innan de packas ned.
4. Förvara på en torr och välventilerad plats.

## Rengöring och skötsel



### VARNING! Risk för personskada

Var på marken när du rengör och underhåller taktältet. Klättra aldrig upp på fordonet för att rengöra taktältet medan taktältet är monterat på taket.



### OBSERVERA! Risk för skada

- Använd inte vassa eller hårda föremål eller rengöringsmedel för rengöringen.
- Använd inte alkoholbaserade material, kemikalier, såpa eller rengöringsmedel vid rengöring.
- Ta bort fågelspilling och tråkåda så snabbt som möjligt för att förhindra att materialet skadas permanent.
- Sätt inte in något föremål i uppblåsningsmunstycket till Gale 12 V elektriska pumpen eftersom detta kan skada den interna pumpmekanism.
- Reparation av stegen får endast utföras av en kvalificerad person.



### ANVISNING

- Sätt upp taktältet och stegen helt för rengöring.
- Välj en solig dag så att materialet kan torka ordentligt.

- Rengör vid behov taktältet och stegen med rent vatten och en mjuk borste.
- Impregnera taktältet mot vatten och UV-strålning regelbundet inför varje resa.
- Rengör Gale-pumpen då och då med en fuktig trasa.

## Kontrollera stegen



### AKTA! Risk för personskada

Använd inte stegen om någon av följande kontrollpunkter inte uppfylls.

Genomför följande kontroller efter leverans och före varje användning:

- Kontrollera att stegen eller andra komponenter inte är böjda, har bulor, har för mycket slitage, är oxiderade eller ruttna.
- Kontrollera att fästen, glidstycken och ändlocken på stegens fötter inte saknas eller sitter löst.
- Kontrollera att glidstyckena kopplar fast ordentligt vid stegpinnarna.
- Kontrollera att hela stegen är fria från smuts (t.ex. gytta eller snö).

## Felsökning



### ANVISNING

- Vid första exponeringen för vatten kan det finnas lite fukt vid sömmarna. Denna fukt gör att trådarna sväller och täpper igen hålen som bildades när tältet syddes.
- En fullutrustad reservdelssats ska innehålla:
  - Impregneringsmedel
  - Reparationstejp och -lösning
  - Silikonspray för dragkedjor

Problem	Åtgärd
Taktältet kan bara pumpas upp med svårigheter.	<ul style="list-style-type: none"><li>➤ Kontrollera att ventilen är helt inskruvad i AIR-stången.</li><li>➤ Kontrollera om uppblåsningsröret är vridet vid ventilen. Detta kan avge ljud. Råta till uppblåsningsröret.</li><li>➤ Kontrollera att den elektriska pumpen fungerar.</li></ul>
En del av taktältet töms inte på luft.	<ul style="list-style-type: none"><li>➤ Kontrollera att alla isoleringsventiler som förbinder luftstolparna är öppna.</li></ul>
AIR-stängerna är knäckta	<ul style="list-style-type: none"><li>➤ Tillför mer luft (9 psi/0,62 bar).</li></ul>
Luftläckage	<ul style="list-style-type: none"><li>➤ Kontrollera att ventilen är helt inskruvad i AIR-stången och att o-ringstättningen sitter på plats.</li><li>➤ Kontrollera att locket på ventilen är ordentligt åtdraget.</li><li>➤ Kontrollera om det finns punkteringar, se kapitel "Reparera en punktering i luftstolpen" på sidan 65.</li></ul>
Vattenläckage	<ul style="list-style-type: none"><li>➤ Se efter om det finns sömmar som läcker, skadad tejp eller fuktiga områden.</li><li>➤ Om du inte hittar några läckage, se kapitel "Kondens" på sidan 65.</li><li>➤ Applicera sömtättningsmedel om du hittar några läckage.</li></ul>
Reva i tyget	<ul style="list-style-type: none"><li>➤ Använd reparasjonstejp för att försluta tyget.</li><li>➤ Låt en auktoriserad specialist utföra reparationer.</li></ul>

## Kondens

Alla tält utsätts för intern kondens om ett eller flera villkor gäller:

- Hög luftfuktighet
- Temperaturfall

Kraftig kondens kan rinna nedför insidan av taket och droppa från band och andra interna beslag och av misstag ses som läckage.

- Öka ventilationen genom att öppna dörrar och/eller fönster.

## Reparera en punktering i luftstolpen

Om en luftstolpe tappar luft, gör så här:

1. Öppna dragkedjan från det yttre höljet som håller luftstolpen.
  2. Stäng isoleringsventilerna om sådana finns.
  3. Ta bort luftstolpen.
  4. Töm ut luften ur luftstolpen.
  5. Öppna dragkedjan på skyddshöljet för att frilägga det uppblåsbara röret.
  6. Blås in lite luft i det uppblåsbara röret.
  7. Sänk ner röret i vatten.
  8. Leta reda på punkteringen.
  9. Använd reparasjonstejp och solution för att tätat hålet.
  10. Dra igen skyddshöljets dragkedja runt det uppblåsbara röret.
  11. Dra igen det yttre höljets dragkedja runt luftstolpen.
- Beakta även informationen i bild 45, sida 14 – bild 46, sida 14.

## Avfallshantering



- Lämna om möjligt förpackningsmaterialet till återvinning.
- Konsultera ett lokalt återvinningscenter eller en specialiserad återförsäljare för information om hur man bortkaffar produkten i enlighet med tillämpliga bortskaffningsförfordningar.
- Produkten kan kasseras utan avgift.

## Garanti

Den lagstadgade garantitiden gäller. Kontakta din återförsäljare eller tillverkarens avdelningskontor i ditt land (se [dometic.com/dealer](http://dometic.com/dealer)) om produkten är defekt.

Vid reparations- och garantiärenden ska följande dokument skickas med när du returnerar produkten:

- En kopia på fakturan med inköpsdatum
- En reklambeskrivning eller felbeskrivning

Observera att självständiga eller icke professionella reparationer kan påverka säkerheten och leda till att garantin blir ogiltig.

Garantin täcker tillverkningsfel, material och delar. Garantin täcker inte blekning av skyddet och slitage på grund av UV-strålning, felaktig användning, skador som beror på olyckor, stormskador eller permanent, halvpermanent eller kommersiell användning. Den täcker inga skador som resultat av detta. Kontakta din återförsäljare vid reklamationer. Detta påverkar inte dina lagstadgade rättigheter.

## Tekniska data

	<b>TRT 140 AIR</b>
Skummadrassens tjocklek	3,2 cm/1,3 in
Anti-kondenslagrets tjocklek	0,5 cm/0,2 in
Användbart innerutrymme (B x H x D)	55 x 43 x 83 tum 140 x 110 x 210 cm
Mått yttertält (B x H x D)	57 x 47 x 86 tum 145 x 120 x 219 cm
Förpackningsmått tält (B x H x D)	59 x 13 x 32 tum 149 x 33 x 82 cm
Förpackningsmått stege och tillbehör (B x H x D)	31 x 5 x 20 tum 79 x 12 x 49,5 cm
Vikt (inklusive stege)	57,65 kg/127,1 lbs

	<b>Gale 12 V pump</b>
Spänning	12 V---
Kapacitet	100 l/26 gal/min ± 10 %
Drifttid	Max. 15 min.
Bulleremission	32 dB
Mått (B x H x D)	11 x 3,5 x 7,9 in/280 x 90 x 200 mm
Vikt	1,79 kg/3,9 lb

Vennligst les disse instruksjonene nøye og følg alle anvisninger, retningslinjer og advarsler i denne produktveiledningen for å sikre at du installerer, bruker og vedlikeholder produktet ordentlig til enhver tid. Disse instruksjonene MÅ alltid følge med produktet.

Ved å bruke dette produktet bekrefter du at du har lest alle anvisninger, retningslinjer og advarsler grundig, og at du forstår og samtykker i å overholde vilkårene slik de er presentert her. Du godtar å bruke dette produktet kun til tiltenkt formål og bruksområder, og i samsvar med anvisningene, retningslinjene og advarslene slik de er presentert i denne produktveiledningen, så vel som i samsvar med alle gjeldende lovbestemmelser og forskrifter. Hvis anvisningene og advarslene som er presentert her, ikke blir lest og fulgt, kan det føre til personskader hos deg selv eller andre, skader på produktet eller skader på annen eiendom i nærheten. Denne produktveiledningen med sine anvisninger, retningslinjer og advarsler, samt relatert dokumentasjon, kan være underlagt endringer og oppdateringer. For oppdatert produktinformasjon, se [documents.dometic.com](http://documents.dometic.com), [dometic.com](http://dometic.com).

## Symbolforklaring



### FARE!

**Sikkerhetsregel:** Kjennetegner en farlig situasjon som - dersom den ikke unngås - resulterer i alvorlige personskader, eventuelt med døden til følge.



### ADVARSEL!

**Sikkerhetsregel:** Kjennetegner en farlig situasjon som - dersom den ikke unngås - kan resultere i alvorlige personskader, eventuelt med døden til følge.



### FORSIKTIG!

**Sikkerhetsregel:** Kjennetegner en farlig situasjon som - dersom den ikke unngås - kan resultere i mindre til moderate personskader.



### PASS PÅ!

Kjennetegner en situasjon som - dersom den ikke unngås - kan resultere i materielle skader.



### MERK

Ytterligere informasjon om betjening av produktet.

## Generelle sikkerhetsinstruksjoner



**FARE!** Hvis disse instruksjonene ikke overholdes, kan det oppstå alvorlige personskader, eventuelt med døden til følge.

### Fare for karbonmonoksidforgiftning

- Bruk aldri et drivstoffbrennende apparat som grill eller gassvarmere inne i teltet. Forbrenningsprosessen produserer karbonmonoksid som akkumulerer inne i teltet, da det ikke er noen avtrekkskanal.



**ADVARSEL!** Manglende overholdelse av disse advarslene kan resultere i alvorlige personskader, eventuelt med døden til følge.

### Brannfare

- Sørg for at du kjenner til tiltakene for brannsikkerhet på stedet.
- Du må ikke tilberede mat i teltet eller bruke åpen ild.
- Hold all ild og varmekilder borte fra denne teltduken.

### Kvelningsfare

- Sørg for at ventilasjonsåpninger er åpne hele tiden for å unngå kvelning.

### Fare for personskader

- Apparatet er ikke ment for bruk av personer (inkludert barn) med reduserte fysiske, sensoriske eller mentale evner.
- Ikke la barn leke rundt eller inne i teltet, og påse at de er forsiktige når de bruker stigen.
- Rengjøring og vedlikehold må ikke utføres av barn uten at de er under oppsikt.

- Undersøk alltid værmeldingen før du setter opp og benytter deg av takteltet.
  - Ikke bruk takteltet hvis det forventes storm eller tordenvær.
  - Hvis tordenvær inntreffer, må du forlate takteltet umiddelbart og søke sikkerhet inne i kjøretøyet ditt. Bli værende i kjøretøyet til tordenværet er over for å unngå å bli rammet av lynnedslag.
  - Ikke sett opp, bruk eller fold sammen takteltet eller stigen i sterk vind.
  - Ikke fold sammen takteltet ved kraftig regn.
- Ikke bruk takteltet hvis deler eller komponenter har synlige skader. Ta kontakt med produsenten for råd.
- Bruk bare testede (f.eks. GS-sertifiserte) takstativer som er godkjent for bruk med kjøretøyet.
- Før montering av takteltet må du forsikre deg om at kjøretøyet og takstativet har tilstrekkelig bæreevne for takteltet og personene og gjenstandene inne i det.



### MERK

- Ha alltid håndbøkene for kjøretøyet og takstativet tilgjengelige, og følg anvisningene i disse.

## Sikkerhet ved bruk av stigen



**FORSIKTIG!** Manglende overholdelse av disse forsiktighetsvarslene kan resultere i mindre til moderate personskader.

### Fare for personskader

- Etter levering og før hver bruk, kontrollerer du at stigen ikke er ødelagt og at det er trygt å bruke den. Ikke bruk en ødelagt stige.
- Det er fare for fall under oppstigning, nedstigning og generell bruk av stigen. Bruk av stigen skal utføres på en slik måte at faren for fall holdes så lav som mulig.
  - Hold et sikkert grep om stigen.
  - Ikke len deg ut til siden.
  - Gå bare opp og ned med ansiktet vendt mot stigen.
- Ikke vær mer enn én person på stigen om gangen.
- Ikke sett opp stigen på en ujevn, ustabil eller tilsmusset grunn.
- Ikke bær på tungt utstyr som er vanskelig å håndtere mens du bruker stigen.
- Ikke bruk uegnet fottøy når du klatrer opp stigen.
- Ikke bruk en stige som er skitten, f.eks. av gjørme eller snø.
- Ikke bruk stigen ved fysiske begrensninger. Visse helsetilstander, medisinbruk, alkohol- eller narkotikamisbruk kan forårsake en sikkerhetsrisiko ved bruk av stigen.
- Sørg for at låsemekanismene for de forlengede leddene er låst før transport, hver bruk og ved lagring av stigen.
- Ved oppstilling og bruk av stigen, må du være oppmerksom på faren for kollisjoner, f.eks. med fotgjengere, kjøretøy eller dører. Lukk dører (unntatt nødutganger) og vinduer i bruksområdet, hvis det er mulig.
- Ikke modifier stigen eller komponentene dens på noen måte.



### PASS PÅ! Fare for skader

- Overhold den angitte maksimale totallasten på stigen.

## Sikkerhet ved transport av takteltet på kjøretøytaket



**ADVARSEL!** Manglende overholdelse av disse advarslene kan resultere i alvorlige personskader, eventuelt med døden til følge.

### Fare for personskader

- Kjør bare med takteltet på taket av kjøretøyet når takteltet er foldet sammen og dekket til med teltdekslet.

- Ikke kjør raskere enn 110 km/t (88 mph) med takteltet på taket av kjøretøyet.
- Ved starten på hver reise og med regelmessige mellomrom på turen må du kontrollere at takteltet er godt festet på takstativet og at teltdekslet sitter godt fast. En ukorrekt festet takgrind eller et taktelt kan falle av under turen og skade folk på veien.
- Oppbevar stigen korrekt på toppen av det sammenfoldede takteltet og under teltdekslet for å forhindre at stigen faller av og skader andre trafikanter under reisen.
- Tilpass kjøringen for å kompensere for høydeendringen på kjøretøyet (f.eks. ved sidevind, svinging og bremsing).



#### **PASS PÅ! Fare for skader**

- Takteltet øker høyden på kjøretøyet. Vær oppmerksom på lave passasjer, broer, lavhengende grener og andre hindringer.
- Fjern takteltet og takstativet ved bruk av automatiske bilvaskeanlegg.



#### **MERK**

- Når man kjører med takteltet på kjøretøytaket, kan det oppstå vindstøy.

### **Sikkerhet ved bruk av Gale 12 V elektrisk pumpe**



**ADVARSEL! Manglende overholdelse av disse advarselene kan resultere i alvorlige personskader, eventuelt med døden til følge.**

#### **Fare for elektrisk støt**

- Den elektriske pumpen må ikke benyttes hvis den har synlige skader.
- Hvis strømkabelen til den elektriske pumpen er skadet, må den skiftes ut av produsenten, et serviceverksted eller en annen kvalifisert person for å forhindre sikkerhetsfarer.
- Reparasjoner på pumpen må kun utføres av kvalifiserte fagfolk. Utilstrekkelige reparasjoner kan medføre betydelige farer.
- Ikke bruk den elektriske luftpumpen under våte forhold eller senk den ned i væske. Må oppbevares på en tørr plass.



**FORSIKTIG! Manglende overholdelse av disse forsiktighetsvarslene kan resultere i mindre til moderate personskader.**

#### **Fare for elektrisk støt**

- Før du starter opp den elektriske luftpumpen, må du kontrollere at strømkabelen og pluggen er tørre, og at pluggen er fri for rust eller fremmedlegemer.
- Koble den elektriske luftpumpen fra strømforsyningen
  - Før rengjøring og vedlikehold
  - Etter hver bruk

#### **Fare for personskader**

- Dette apparatet skal ikke brukes av personer (inkludert barn) med reduserte fysiske, sensoriske eller psykiske evner, eller også manglende erfaring eller kunnskap, med mindre de er under egnet oppsyn eller har fått anvisninger om bruk av apparatet av en person som er ansvarlig for deres sikkerhet.
- Hold barn og kjæledyr unna den elektriske pumpen mens den er i drift.
- Ikke rett luftstrømmen mot ansiktet eller kroppen.
- Følg anbefalt lufttrykk.
- Rengjøring og vedlikehold må ikke utføres av barn uten at de er under oppsikt.



#### **PASS PÅ! Fare for skader**

- Kontroller at spenningsspesifikasjonene på merkeskiltet tilsvarer den tilgjengelige strømtilførselen.

- Koble bare den elektriske pumpen til en likestrømforsyning i kjøretøyet via likestrømtilkoblingskabelen.
- Ikke plasser apparatet i nærheten av åpen ild eller andre varmekilder (radiatorer, direkte sollys, gassovner osv.).
- Bruk enheten kun under oppsikt.
- Trekk aldri ut støpselet fra stikkkontakten etter kabelen.

## **Leveringsomfang**

<b>Komponent</b>	<b>Antall</b>
Taktelt	1
Teleskopstige	1
PVC-deksel	1
Verktøyveske	1
U-brakett	4
M8 x 50 skrue	8
M8 x 16 skrue	4
M8 1 mm skive	8
M8 uskrudde skive	12
M8 1,5 mm skive	4
M8 vingmutter	4
Seksjonsplate av aluminium	12
M8 hjulmutter av plast	8
Endelokk av plast	4
Gale 12 V elektrisk pumpe	1
Luftslange	1
Munnstykkeadapter	6
Lomme i oppbevaringsbag	2
Oppbevaringsnett	1
Forlengingsslange (1,4 m)	1

## **Tilbehør**

Tilgjengelig som tilbehør (ikke inkludert i leveransen):

<b>Komponent</b>	<b>Art.nr.</b>
TRT 140 AIR Awning Low	9120002119
TRT 140 AIR Awning Tall	9120002120
Håndpumpe	9120000439

## **Forskriftsmessig bruk**

Dette takteltet er egnet for:

- Montering på et egnet takstativ på taket av et egnet kjøretøy
- Lett til moderat vær
- Rundreiser

Dette takteltet er **ikke** egnet for:

- Bruk av personer med nedsatte fysiske, sensoriske eller mentale evner
- Svært sterk vind eller snøfall
- Sesongparkering eller kommersiell bruk

Det er beregnet at denne stigen skal festes til dette takteltet. Stigen kan kun brukes sammen med dette takteltet og kan **ikke** brukes uavhengig.

Stigen er **ikke** beregnet for profesjonell bruk.

Dette produktet er kun egnet for det tiltenkte formålet og bruksområdet i samsvar med disse instruksjonene.



Denne veiledningen gir informasjon som er nødvendig for korrekt installasjon og/eller bruk av produktet. Feilaktig installasjon og/eller ukorrekt bruk eller vedlikehold vil resultere i en utilfredsstillende ytelse og mulig svikt.

Produsenten fraskriver seg ethvert ansvar for personskader eller materielle skader på produktet som følge av:

- Ukorrekt montering eller tilkobling, inkludert for høy spenning
- Ukorrekt vedlikehold eller bruk av andre reservedeler enn originale reservedeler levert av produsenten
- Modifisering av produktet uten at det er gitt uttrykkelig godkjenning av produsenten
- Bruk til andre formål enn beskrevet i denne veiledningen

Dometic forbeholder seg rettigheten til å endre produktet ytre og produktspesifikasjoner.

## Teknisk beskrivelse

Takteltet er utstyrt med AIR-stenger som kan fylles via en enkelt ventil.

Stigen som er festet til takteltet, kan tilpasses til høyden på kjøretøyet.

Takteltet har en skummadrass med høy tetthet.

For transport av takteltet på kjøretøytaket, kan takteltet foldes sammen og dekkes til med det medfølgende teltdekslet.

Takgrinden hvor takteltet skal monteres, må innfri følgende krav:

- Takgrinden må kunne bære minst 75 kg (165 lbs) for å kunne kjøre med takteltet montert.
- Bredden på takgrinden må være minst 68 cm (27 in).
- De to skinnene på takgrinden må være 70 cm – 125 cm (28–50 in) fra hverandre.

## Bruke takteltet



### ADVARSEL! Fare for personskader

- Forsikre deg om at takteltet er godt festet til takgrinden før du klatrer opp på stigen.
- Forsikre deg om at hvert trinn på stigen er låst før du klatrer på stigen.
- Vær alltid forsiktig når du klatrer i stigen.
- Lukk inngangen til takteltet før du legger deg til å sove, slik at du ikke faller ut av takteltet i søvne.
- Hvis to personer bruker takteltet, må det sørges for at de begge ikke sitter bak eller foran eller på én side av teltet på samme tid. Teltet kan falle ned dersom vekten av to personer befinner seg på en side av teltet (fig. 33, side 11).
- Før du kjører med montert taktelt, må du alltid forsikre deg om at overtrekket er bundet fast korrekt (fig. 44, side 13).



### FORSIKTIG! Fare for personskader

Åpne aldri glidelåsen på beskyttelseshylsen så lenge en luftstang er fylt med luft. Dette vil resultere i at luftstangen sprennes.



### PASS PÅ! Materielle skader

- Hold sidevinduet på takteltet åpent under oppsetting eller sammenfolding av teltet.
- Ikke åpne eller lukk glidelåsene med makt.



### MERK

Bruk de integrerte oppbevaringsmulighetene under bruk av teltet, slik at ingenting faller ned eller blir glemt igjen i teltet når det foldes sammen (fig. 31, side 10).

## Før første bruk

Gjør deg kjent med produktet ved å utføre et testoppsett før produktet brukes for første gang. Sjekk at leveransen er komplett.

## Herding av produktet før første gangs bruk

Produktet er produsert med materialer som krever forberedelser før bruk for å gjøre det best mulig beskyttet mot værpåvirkning.

1. Sett opp produktet komplett utendørs når det forventes regn, eller et sted du kan benytte en hageslange for å gjennomfukte produktet.

Denne prosessen er kjent som herding. Herdeprosessen strammer stoffet og sørger for at bomullstrådene i sømmene svulmer opp og fyller hullene fra synålene under produksjonsprosessen.

2. La produktet tørke fullstendig før du pakker det vekk.

Ved å følge denne prosedyren før første gangs bruk, sikrer du at produktet får bedre væregenskaper før det blir vått senere.

## Montere takteltet



### FORSIKTIG! Fare for personskader

- Takteltet må bare løftes opp på kjøretøyet når du har hjelp av en annen person.
- Forsikre deg om at ingen andre personer, og særlig barn, befinner seg i nærheten av kjøretøyet når du og en hjelper løfter takteltet opp på taket av kjøretøyet.



### MERK

Siden av takteltet hvor stigen skal festes er merket. Sørg for å justere takteltet slik at førerdøren til kjøretøyet ikke blokkeres av den forlengede stigen (fig. 4, side 3).

- For å montere takteltet går du frem som vist (fig. 2, side 3 – fig. 15, side 6).

## Sette opp takteltet



### FORSIKTIG! Risiko for personskade og skade på materiale

- Ikke bruk kompressorer av noe slag som er ment for å fylle luft på bildekk.
- AIR-stengene må bare blåses opp til et trykk på maksimalt 9 psi / 0,62 bar.
- Ikke plasser fingrene i trinnområdet når du setter opp eller justerer stigen.

- For å sette opp takteltet går du frem som vist (fig. 16, side 6 – fig. 36, side 11).

## Folde sammen takteltet



### FORSIKTIG! Klemfare

Ikke plasser fingrene i trinnområdet når du skyver stigen sammen.



### MERK

De blå skyvedelene på nederste trinn av stigen låser opp alle leddene, slik at stigen kan skyves sammen (fig. 41, side 13).

- For å folde sammen takteltet går du frem som vist (fig. 37, side 12 – fig. 44, side 13).

## Bruke Gale 12 V elektrisk pumpe

Gale 12 V elektrisk pumpe er utstyrt med et trykkinduksjonssystem og slår seg av automatisk så snart det forhåndsinnstilte trykket er oppnådd. Trykkinduksjonssystemet fungerer med en feilmargin på  $\pm 0,5$  psi.



### PASS PÅ! Fare for overopphetning

- Sørg for at den elektriske pumpen er tilstrekkelig ventilert under drift.
- Ikke bruk den elektriske pumpen kontinuerlig i mer enn 15 min., da motoren eller kan overopphetes. La den elektriske pumpen kjøles ned i 30 min. etter 15 min. kontinuerlig drift.



### MERK

- Hvis ingen knapper har blitt trykket på i løpet av 30 sekunder, går LCD-displayet over i standby-modus. Trykk på en knapp for å aktivere igjen.
- I starten vil det ta litt tid før trykkavlesingen på LCD-displayet øker. Dette er vanlig, da det innledningsvis kreves en stor mengde luft for å fylle AIR-rammen før en signifikant endring i trykket registreres.

## Bruk av stigen



### FORSIKTIG! Fare for personskader

Sørg for at låsemekanismene for de forlengede leddene er låst før hver gang du bruker stigen.



### PASS PÅ! Fare for skader

Sørg for at stigens maksimale totalast ikke overskrides. Den maksimale totallasten er 130 kg/ 287 lbs.



## Sette opp stigen



### FORSIKTIG! Fare for personskader

Overhold den anbefalte oppstillingsvinkelen på  $65^\circ - 75^\circ$  (fig. 22, side 8).

Skyverne til låsemekanismene kan flyttes til to posisjoner. De kan låse eller låse opp leddene (fig. 21, side 8):

- ▶ Flytt skyverne på begge sider av stigen inn på  for å låse leddet (fig. 21 A, side 8).
- ▶ Flytt skyverne på begge sider av stigen inn på  for å låse opp leddet (fig. 21 A, side 8).

## Lagring

### Oppbevaring av takteltet og stigen



### FORSIKTIG! Fare for personskader

- Stigen kan forbli festet på takteltet for oppbevaring. Sørg for at stigen er skjøvet helt sammen og at låsemekanismene for alle leddene av stigen er låst fast.
- Når du demonterer stigen fra takteltet for oppbevaring, må du sørge for at stigen oppbevares i en posisjon hvor den forblir strak (f.eks. plassert på en flat overflate).



### PASS PÅ! Fare for skader

Skyveren og endehettene til stigeføttene er laget av plast. Oppbevar stigen på et sted hvor den er beskyttet mot UV-stråling.

1. Demonter takteltet fra takstativet.
2. Rengjør takteltet og stigen ved behov.
3. Sørg for at takteltet og stigen er helt tørre før du pakker dem bort.
4. Oppbevar på et godt ventilert, tørt sted.

## Oppbevare Gale 12 V elektrisk pumpe

1. Rengjør Gale 12 V elektrisk pumpe ved behov.
2. Sett pluggen inn i åpningen som følger med.
3. Sørg for at tilførselsledningen og luftslangen ikke sitter fast eller er klemt før du pakker dem bort.
4. Oppbevar på et godt ventilert, tørt sted.

## Rengjøring og vedlikehold



### ADVARSEL! Fare for personskader

Takteltet både rengjøres og vedlikeholdes mens det befinner seg på bakken. Klatre aldri opp på kjøretøyet for å rengjøre takteltet mens takteltet er festet på taket.



### PASS PÅ! Fare for skader

- Ikke bruk skarpe eller harde gjenstander eller rengjøringsmidler til rengjøring.
- Ikke benytt alkoholbaserte materialer, kjemikalier, såper og rengjøringsmidler til rengjøring.
- Fjern fuglemøkk og kvae så snart som mulig, for å unngå permanent skade på materialet.
- Ikke forsøk å putte gjenstander inn i oppblåsingsporten til Gale 12 V elektrisk pumpe, da disse kan skade den indre pumpemekanismen.
- Reparasjon av stigen skal kun utføres av en sakkyndig.



### MERK

- Sett opp takteltet og stigen helt for rengjøring.
- Velg en dag med sol for rengjøring for å være sikker på at materialet vil tørke godt.

- ▶ Ved behov kan takteltet og stigen rengjøres med rent vann og en myk børste.
- ▶ Påfør impregnering mot vann og UV-stråling på takteltet før hver reise.
- ▶ Rengjør Gale-pumpen regelmessig med en fuktig klut.

## Inspeksjon av stigen



### FORSIKTIG! Fare for personskader

Ikke bruk stigen hvis noe fra den følgende listen ikke er oppfylt.

Utfør følgende inspeksjoner etter levering og før hver bruk:

- ▶ Kontroller at stigen og komponentene dens ikke er bøyd, har bulker, er svært slitte, korroderte eller råtne.
- ▶ Kontroller at festene, skyverne og endehettene på stigeføttene ikke mangler eller er løse.
- ▶ Kontroller at skyverne er satt ordentlig på plass på trinnene.
- ▶ Sjekk at hele stigen er fri for tilsmussing (f.eks. gjørme eller snø).

## Feilretting



### MERK

- Under første eksponering for vann, kan det forekomme fuktighet i sømmene. På grunn av denne fuktigheten vil trådene svulme opp og fylle hullene som har oppstått i syprosesssen.
- Et fullt utstyrt reservedelsett skal inneholde:
  - impregnering
  - reparasjonsteip og reparasjonsløsning
  - silikonspray for glidelåsene

Problem	Løsning
Det oppstår alltid vanskeligheter med å fylle luft i takteltet	<ul style="list-style-type: none"> <li>➤ Sjekk at ventilen er skrudd helt inn i luftstangen.</li> <li>➤ Sjekk om inflasjonsslangen er vridd ved ventilen. Dette kan indikeres med lyd. Vri opp inflasjonsslangen.</li> <li>➤ Sjekk at den elektriske pumpen fungerer.</li> </ul>
En del av takteltet tømmes ikke for luft	<ul style="list-style-type: none"> <li>➤ Sjekk at alle stengeventiler som kobler til luftstengene, er åpne.</li> </ul>
Luftstengene har en knekk	<ul style="list-style-type: none"> <li>➤ Tilfør mer luft (9 psi / 0,62 bar).</li> </ul>
Luftlekkasje	<ul style="list-style-type: none"> <li>➤ Sjekk at ventilen er skrudd helt inn i luftslangen og at ringpakningen er på plass.</li> <li>➤ Kontroller at toppheten på ventilen er festet godt.</li> <li>➤ Kontroller for punkteringer, se kapittel «Reparere en punktering i luftstangen» på side 71</li> </ul>
Vannlekkasje	<ul style="list-style-type: none"> <li>➤ Kontroller for sømmer som lekker, skadd teip og fuktige områder.</li> <li>➤ Hvis ikke du finner noen lekkasjer, se kapittel «Kondens» på side 71.</li> <li>➤ Hvis du finner lekkasjer, påføres sømforsegling.</li> </ul>
Rift i teksten	<ul style="list-style-type: none"> <li>➤ Bruk reparasjonsteip for å forsegle teksten.</li> <li>➤ Få reparasjoner utført av en autorisert spesialist.</li> </ul>

## Kondens

Alle telt får innvendig kondens ved ett eller flere av følgende forhold:

- Høy luftfuktighet
- Fall i temperatur

Sterk kondens kan renne ned innsiden av taket og dryppe fra bindinger, tape og andre innvendige beslag og kan forveksles med lekkasje.

- Øk ventilering ved å åpne dører og/eller vinduer.

## Reparere en punktering i luftstangen

Gjør følgende hvis luftstangen mister luft:

1. Åpne opp det ytre hylsteret som holder luftstangen.
  2. Lukk stengeventiler hvis de er installert.
  3. Fjern luftstangen.
  4. Slipp ut luften fra luftstangen.
  5. Åpne den beskyttende hylsen for at den oppblåsbare slangen skal bli synlig.
  6. Fyll litt luft inn i den oppblåsbare slangen.
  7. Senk slangen i vann.
  8. Finn punkteringen.
  9. Bruk reparasjonsteipen og reparer løsningen for å gjøre hullet tett.
  10. Lukk den oppblåsbare slangen inn i den beskyttende hylsen igjen.
  11. Lukk luftstangen tilbake i den utvendige hylsen.
- Følg også informasjonen gitt i fig. **45**, side 14 – fig. **46**, side 14.

## Avfallshåndtering



- Lever emballasje til resirkulering så langt det er mulig.
- For å kaste produktet endelig ta kontakt med det lokale resirkuleringssenteret eller faghandler om hvordan du kan gjøre dette i overensstemmelse med gjeldende avfallshåndteringsforskrifter.
- Produktet kan avhendes gratis.

## Garanti

Lovmessig garantitid gjelder. Hvis produktet er defekt, ta kontakt med forhandleren eller produsentens filial i landet (se [dometic.com/dealer](http://dometic.com/dealer)).

Ved henvendelser vedrørende reparasjon eller garanti, må du sende med følgende dokumentasjon:

- Kopi av kvitteringen med kjøpsdato
- Årsak til reklamasjonen eller beskrivelse av feilen

Vær oppmerksom på at reparasjoner som utføres selv, eller som ikke utføres på en profesjonell måte, kan gå ut over sikkerheten og føre til at garantien blir ugyldig.

Garantien dekker produksjonsfeil, materialer og deler. Garantien dekker ikke falming av duken og slitasje på grunn av UV-stråling, feil bruk, skader som skyldes uhell, skader som skyldes sterk vind, permanent eller delvis permanent eller kommersiell bruk. Den dekker heller ingen skader som følge av dette. Vennligst ta kontakt med forhandleren ved eventuelle krav. Dette påvirker ikke dine lovfestede rettigheter.

## Tekniske spesifikasjoner

	TRT140 AIR
Dybde på skummadrass	3,2 cm / 1,3 in
Dybde på antikondenslag	0,5 cm / 0,2 in
Brukbart innvendig rom (B x H x D)	55 x 43 x 83 in 140 x 110 x 210 cm
Mål på ytre telt (B x H x D)	57 x 47 x 86 in 145 x 120 x 219 cm
Pakkemål for telt (B x H x D)	59 x 13 x 32 in 149 x 33 x 82 cm
Pakkemål for stige og tilbehør (B x H x D)	31 x 5 x 20 in 79 x 12 x 49,5 cm
Vekt (inkludert stige)	57,65 kg / 127,1 lbs

	Gale 12 V pumpe
Spenning	12 V===
Forsyningshastighet	100 l / 26 gal / min ± 10 %
Driftsvarighet	Maks. 15 min
Støyutslipp	32 dB
Mål (B x H x D)	280 x 90 x 200 mm / 11 x 3,5 x 7,9 in
Vekt	1,79 kg / 3,9 lb

Lue nämä ohjeet huolellisesti ja noudata kaikkia tämän tuotteen käyttöohjeissa annettuja ohjeita, määräyksiä ja varoituksia. Näin varmistat, että tuotteen asennus, käyttö ja huolto sujuu aina oikein. Näiden ohjeiden TÄYTYÄ jäädä tuotteen yhteyteen.

Käyttämällä tuotetta vahvistat lukeneesi kaikki ohjeet, määräykset ja varoitukset huolellisesti ja että ymmärrät ja hyväksyt tässä annetut ehdot. Sitoudut käyttämään tuotetta ainoastaan sen käyttötarkoitukseen ja ilmoitetuissa käyttökohteissa ja noudattaen tässä tuotteen käyttöohjeissa annettuja ohjeita, määräyksiä ja varoituksia sekä voimassa olevia lakeja ja määräyksiä. Tässä annettujen ohjeiden ja varoitusten lukematta ja noudattamatta jättäminen voi johtaa omaan tai muiden loukkaantumiseen, tuotteen vaurioitumiseen tai muun ympärillä olevan omaisuuden vaurioitumiseen. Tähän tuotteen käyttöohjeeseen, ohjeisiin, määräyksiin ja varoituksiin sekä ohjeis-dokumenteihin voidaan tehdä muutoksia ja niitä voidaan päivittää. Katso ajantasaiset tuotetiedot osoitteesta documents.dometic.com, dometic.com.

## Symbolien selitykset



### VAARA!

**Turvallisuusohje:** Viittaa vaaralliseen tilanteeseen, joka johtaa kuolemaan tai vakavaan loukkaantumiseen, jos sitä ei vältetä.



### VAROITUS!

**Turvallisuusohje:** viittaa vaaralliseen tilanteeseen, joka voi johtaa kuolemaan tai vakavaan loukkaantumiseen, jos ohjetta ei noudateta.



### HUOMIO!

**Turvallisuusohje:** viittaa vaaralliseen tilanteeseen, joka voi johtaa lievään tai kohtalaiseen loukkaantumiseen, jos ohjetta ei noudateta.



### HUOMAUTUS!

viittaa tilanteeseen, joka voi johtaa esinevahinkoon, jos ohjetta ei noudateta.



### OHJE

Tuotteen käyttöä koskevia lisätietoja.

## Yleisiä turvallisuusohjeita



### VAARA! Näiden ohjeiden noudattamatta jättäminen johtaa kuolemaan tai vakavaan loukkaantumiseen.

#### Häkämyrkytysvaara

- Älä milloinkaan käytä teltan sisällä polttoaineella toimivia laitteita kuten grillejä tai kaasulämmittimiä. Palaminen synnyttää häkää, joka kerääntyy teltan sisään, koska savuhormia ei ole.



### VAROITUS! Näiden varoitusten noudattamatta jättäminen voi johtaa kuolemaan tai vakavaan vammaan.

#### Palovaara

- Varmista, että tunnet käyttöpaikan palontorjuntajärjestelyt.
- Teltassa ei saa laittaa ruokaa eikä käyttää avotulta.
- Pidä liekki- ja lämpölähteet loitolla tästä telttakankaasta.

#### Tukehtumisvaara

- Varmista, että ilmanvaihtoaukot ovat aina auki ja esteettömät, jotta tukehtuminen voidaan välttää.

#### Loukkaantumiskaava

- Laitetta ei ole tarkoitettu fyysisiltä, aistinvaraisilta tai henkisesti kyvyiltään rajoittuneiden henkilöiden (myöskään lasten) käytettäväksi.
- Älä anna lasten leikkiä teltan ympärillä tai teltassa sisällä, ja varmista, että he ovat varovaisia kiivetessään tikkaita.
- Lapset eivät saa puhdistaa laitetta eivätkä ryhtyä käyttäjän suoritettavaksi tarkoitettuihin huoltotoihin ilman valvontaa.

- Tarkista aina sääennuste ennen kattoteltan pystytystä ja käyttöä.
  - Älä käytä kattotelttaa, jos sääennusteessa varoitetaan myrskystä tai ukonilmasta.
  - Jos ukonilma pääsee yllättämään, poistu kattoteltasta viipymättä ja mene turvaan ajoneuvon sisään. Pysy ajoneuvon sisällä, kunnes ukonilma on ohi, jotta et altistu salaman iskulle.
  - Älä pystytä tai käytä kattotelttaa ja tikkaita äläkä taita niitä kokoon kovalla tuulella.
  - Älä taita kattotelttaa kokoon rankkasateella.
- Älä käytä kattotelttaa, jos siinä on missään kohtaa näkyviä vaurioita. Ota yhteyttä valmistajaan ja pyydä apua.
- Käytä vain testattuja (esim. GS-testattuja) kattotelineitä, jotka on hyväksytty käytettäväksi omassa ajoneuvossasi.
- Varmista ennen kattoteltan asennusta, että ajoneuvosi ja kattotelineesi kantokyky riittää kattoteltalle sekä ihmisille ja esineille, joiden on määrä olla kattoteltan sisällä.



### OHJE

- Pidä ajoneuvon ja kattotelineen käyttöohjeet aina mukana ja noudata ohjeita.

## Tikkaiden käyttöturvallisuus



### HUOMIO! Näiden varoitusten noudattamatta jättäminen voi johtaa vähäiseen tai kohtalaiseen vammaan.

#### Loukkaantumiskaava

- Tarkasta tikkaat toimituksen jälkeen ja ennen jokaista käyttökertaa vaurioiden varalta ja varmista, että niitä on turvallista käyttää. Älä käytä tikkaita, jos ne ovat vaurioituneet.
- Tikkailla voi pudota, kun niitä kiivetään ylös- tai alaspäin tai käytetään yleisesti. Tikkaita täytyy käyttää niin, että putoamisvaara on mahdollisimman vähäinen.
  - Pidä tikkaista tukevasti kiinni.
  - Älä kurotu sivulle.
  - Nouse ja laskeudu tikkaita aina kasvot tikkaisiin päin.
- Tikkailla ei saa olla enempää kuin yksi henkilö kerrallaan.
- Älä pystytä tikkaita epätasaiselle, myöten antavalle tai liikaantuneelle pinnalle.
- Älä kanna raskaita tai hankalasti käsiteltäviä varusteita, kun kuljet tikkaita.
- Älä käytä tarkoitukseen sopimattomia jalkineita tikkaita kiivetessäsi.
- Älä käytä tikkaita, jos ne ovat liikaantuneet, esim. jos niissä on rapaa tai lunta.
- Älä käytä tikkaita, jos sinulla on fyysisiä rajoitteita. Tietyt terveydentilat, lääkkeiden käyttö ja alkoholin tai huumaiden väärinkäyttö voivat muodostaa turvallisuusriskin tikkaita käytettäessä.
- Varmista aina ennen kuljetusta, käyttöä ja varastoimista, että tikkaiden kaikkien avattujen osioiden lukitusmekanismi on lukittu.
- Kun pystytät ja käytät tikkaita, varo osumasta niillä esimerkiksi jalankulkijoihin, ajoneuvoihin tai oviin. Jos mahdollista, sulje käyttöalueella olevat ovet (varaueloskäyntejä lukuun ottamatta) ja ikkunat.
- Älä tee tikkaisiin tai mihinkään niiden osaan minkäänlaisia muutoksia.



### HUOMAUTUS! Vahingonvaara

- Huomaa tikkaiden enimmäiskokonaiskuormitus.

## Turvallisuus kuljettaessa kattoteltaa ajoneuvon katolla



**VAROITUS! Näiden varoitusten noudattamatta jättäminen voi johtaa kuolemaan tai vakavaan vammaan. Loukkaantumisvaara**

- Kattoteltaa täytyy olla kokoon taitettuna ja suojattuna oikein teltan suojuksella aina, kun ajoneuvolla ajetaan kattoteltaa ollessa ajoneuvon katolla.
- Älä ylitä ajonopeutta 110 km/h (88 mph) kattoteltaa ollessa ajoneuvosi katolla.
- Tarkasta aina matkan aluksi ja säännöllisin väliajoin matkan aikana, että kattoteltaa on kiinnitetty tukevasti kattotelineeseen ja että teltan suojuus on kiinnitetty turvallisesti. Jos kattotelina tai kattoteltaa on asennettu väärin, ne voivat pudota matkalla ja loukata muita tielläliikkuja.
- Sijoita tikkaat oikein kokoonlaitetun kattoteltaa päälle ja teltan suojuksen alle, jotta tikkaat eivät pääse putoamaan ja loukkaamaan muita tielläliikkuja matkan aikana.
- Sovita ajotapasi (esim. sivutuulen huomioon ottaminen, kääntymiset ja jarrutusikäytyminen) ajoneuvon muuttuneeseen korkeuteen.



### HUOMAUTUS! Vahingonvaara

- Kattoteltaa kasvattaa ajoneuvon korkeutta. Ole varovainen ajaessasi matalien sisäänajoreittien kautta ja matalien siltojen, alhaalla roikkuvien oksien ja muiden esineiden ali.
- Ota kattoteltaa ja kattotelina pois automaattisen autonpeun ajaksi.



### OHJE

- Viima voi aiheuttaa ääniä, kun ajetaan kattoteltaa ollessa ajoneuvon katolla.

## Turvallisuus 12 V:n sähkötoimista Gale-ilmapumpua käytettäessä



**VAROITUS! Näiden varoitusten noudattamatta jättäminen voi johtaa kuolemaan tai vakavaan vammaan. Sähköiskun vaara**

- Sähkötoimista ilmapumppua ei saa käyttää, jos siinä on näkyviä vaurioita.
- Jos tämän sähkötoimisen ilmapumpun virtajohto on vaurioitunut, valmistajan, huoltopalvelun tai vastaavasti koulutetun ammattilaisen täytyy vaihtaa se vaaratilanteiden välttämiseksi.
- Tätä sähkötoimista ilmapumppua saavat korjata ainoastaan tehtävään pätevät ammattilaiset. Väärin tehdyistä korjauksista voi aiheutua vakavia vaaroja.
- Älä käytä sähkötoimista ilmapumppua märissä olosuhteissa äläkä upota sitä mihinkään nesteeseen. Säilytä sitä kuivassa paikassa.



**HUOMIO! Näiden varoitusten noudattamatta jättäminen voi johtaa vähäiseen tai kohtalaiseen vammaan. Sähköiskun vaara**

- Ennen sähkötoimisen ilmapumpun käynnistämistä on varmistettava, että virtajohto ja pistoke ovat kuivat ja ettei pistokkeessa ole ruostetta tai vieraita aineita.
- Irrota sähkötoiminen ilmapumppu virtalähteestä
  - Aina ennen puhdistusta tai huoltoa
  - Aina käytön jälkeen

## Loukkaantumisvaara

- Tätä laitetta ei ole tarkoitettu sellaisten henkilöiden (mukaan lukien lapset) käyttöön, joiden fyysiset, aistinvaraiset tai henkiset kyvyt ovat rajoittuneita tai joilta puuttuu laitteen käytön vaatima kokemus tai tietämys. Poikkeuksena tästä on tilanne, jossa edellä mainittujen henkilöiden turvallisuudesta vastaava henkilö on antanut opastuksen laitteen käyttöön tai laitteen käyttö tapahtuu turvallisuudesta vastaavan henkilön valvonnassa.
- Pidä lapset ja lemmikkieläimet loitolla sähkötoimisesta ilmapumpusta sen ollessa käynnissä.
- Älä suuntaa ilmvirtaa kasvoihin tai vartaloon.
- Huomaa suositeltu ilmanpaine.
- Lapset eivät saa puhdistaa laitetta eivätkä ryhtyä käyttäjän suoritettavaksi tarkoitettuihin huoltotoihin ilman valvontaa.



### HUOMAUTUS! Vahingonvaara

- Varmista, että tyyppietiketin jännitetiedot vastaavat käytettävissä olevaa energiansyöttöä.
- Sähkötoimisen ilmapumpun saa liittää ajoneuvon tasavirtaverkkoon ainoastaan tasavirtaliitäntäjohtodolla.
- Älä altista laitetta avotulelle tai muille lämpölähteille (lämmitys, suora auringonpaiste, kaasuuuni jne.).
- Älä jätä laitetta toimintaan ilman valvontaa.
- Älä koskaan irrota pistoketta pistorasiasta johdosta vetämällä.

## Toimituskokonaisuus

Osa	Määrä
Kattoteltaa	1
Teleskooppitikkaat	1
PVC-suojuus	1
Työkalulaukku	1
U-kiinnike	4
Ruuvi M8 x 50	8
Ruuvi M8 x 16	4
Aluslevy M8 1 mm	8
Kierteetön aluslevy M8	12
Aluslevy M8 1,5 mm	4
Siipimutteri M8	4
Alumiinilevy	12
Muovinen tähtimutteri M8	8
Muovinen päätytulppa	4
12V:n sähkötoiminen Gale-ilmapumppu	1
Ilmaletku	1
Suutinadapteri	6
Säilytyspussitasku	2
Säilytysverkko	1
Jatkoletku (1,4 m)	1

## Lisävarusteet

Saatavilla lisävarusteena (ei sisälly toimituskokonaisuuteen):

Osa	Tuotenumero
TRT 140 AIR Awning Low	9120002119
TRT 140 AIR Awning Tall	9120002120
Käsipumppu	9120000439

## Käyttötarkoitus

Tämä kattotelta sopii seuraaviin:

- Asennus tarkoitukseen sopivaan kattotelineeseen tarkoitukseen sopivan ajoneuvon katolle
- Hyvä – kohtalainen sää
- Retkeily

Tämä kattotelta **ei** sovi seuraaviin:

- Fyysisiltä, aistinvaraisilta tai henkisiltä kyvyiltään rajoittuneiden henkilöiden käytettäväksi
- Hyvin voimakas tuuli tai lumisade
- Koko sesongin kestävä pystytys tai kaupallinen käyttö

Tikkaat on tarkoitettu kiinnitettäväksi tähän kattoteltaan. Tikkaita saa käyttää vain tämän kattotelan kanssa, **eikä** niitä saa käyttää erikseen.

Tikkaita **ei** ole tarkoitettu ammattikäyttöön.

Tämä tuote soveltuu ainoastaan näissä ohjeissa ilmoitettuun käyttötarkoitukseen ja käyttökohteeseen.

Näistä ohjeista saat tuotteen asianmukaiseen asennukseen ja/tai käyttöön tarvittavat tiedot. Väärin tehdyn asennuksen ja/tai väärän käyttötavan tai vääränlaisen huollon seurauksena laite ei toimi tyydyttävästi, ja se saattaa mennä epäkuuntoon.

Valmistaja ei ota vastuuta tapaturmista tai tuotevaurioista, jotka johtuvat seuraavista:

- Väärin tehty asennus tai liitäntä, ylijännite mukaan lukien
- Väärin tehty huolto tai muiden kuin valmistajalta saatavien alkuperäisten varaosien käyttö
- Tuotteeseen ilman valmistajan nimenomaista lupaa tehdyt muutokset
- Käyttö muuhun kuin tässä ohjeessa ilmoitettuun tarkoitukseen

Dometic pidättää itsellään oikeuden muutoksiin tuotteen ulkonäössä ja spesifikaatioissa.

## Tekninen kuvaus

Kattotellassa on AIR-tangot, jotka saa täytettyä yhdellä venttiilillä.

Kattoteltaan kiinnitettyjen tikkaiden pituutta voidaan säätää ajoneuvon korkeuden mukaan.

Kattoteltaan kuuluu tiheä vaahtomuovipatja.

Kattoteltaa voidaan kuljettaa ajoneuvon katolla kokoon taitettuna ja mukana toimitetulla telan suojuksella suojattuna.

Kattotelineen, johon kattotelta kiinnitetään, täytyy täyttää seuraavat vaatimukset:

- Kattotelineen täytyy kestää vähintään 75 kg:n/165 lbs:n paino, jotta ajoneuvolla voidaan ajaa kattotelta kiinnitettynä.
- Kattotelineen leveyden täytyy olla vähintään 68 cm/27 in.
- Kattotelineen kiskojen välisen etäisyyden täytyy olla 70 cm/28 in – 125 cm/50 in.

## Kattotelan käyttö



### VAROITUS! Loukkaantumisvaara

- Varmista, että kattotelta on kiinnitetty kattotelineeseen tukevasti ennen kuin kiipeät tikkaille.
- Ennen kuin kiipeät tikkaille, varmista, että tikkaiden jokainen puola on lukkiutunut.
- Ole aina varovainen, kun kiipeät tikkaita.
- Sulje kattotelan sisäänkäynti ennen nukkumaan menoa, jotta et nukkuessasi pääse putoamaan kattotelasta.
- Jos kattotellassa ollaan kahdestaan, molemmat eivät saa istua edessä tai takana tai jommallakummalla puolella. Telta voi pudota, jos kahden henkilön paino on samalla puolella teltaa (kuva 33, sivulla 11).
- Ennen kuin lähdet ajamaan kattotelta kiinnitettynä, varmista, että suojuks on kiinnitetty oikein. (kuva 44, sivulla 13).



### HUOMIO! Loukkaantumisvaara

Älä missään tapauksessa avaa suojuksen vetoketjua, kun AIR-tanko on täytetty. Muutoin AIR-tanko halkeaa.



### HUOMAUTUS! Materiaalivaurio

- Kattotelan sivuikkunan pitää olla auki, kun kattoteltaa pystytetään tai taitellaan kokoon.
- Älä avaa tai sulje vetoketjuja väkisin.



### OHJE

Käytä teltaillasi integroituja säilytystaskuja, jotta mitään ei pääse putoamaan alas tai unohtumaan telan sisään, kun teltaa taitellaan kokoon (kuva 31, sivulla 10).

## Ennen ensimmäistä käyttökertaa

Tutustu tuotteeseen pystyttämällä se kokeeksi ennen kuin käytät tuotetta ensimmäisen kerran. Tarkasta, että toimituskokonaisuus on täydellinen.

### Säänkestävyyksäsittely ennen ensimmäistä käyttökertaa

Tuote on valmistettu materiaaleista, jotka täytyy käsitellä ennen käyttöä, jotta ne kestävät säälle altistuimista mahdollisimman hyvin.

- Pystytä tuote ulos, kun tiedossa on sadetta, tai paikkaan, jossa voit kastella tuotteen letkulla kokonaan märäksi.

Tätä kutsutaan säänkestävyyksäsittelyksi. Säänkestävyyksäsittely tiivistää kankaan, ja ompelulangan sisältämät puuvillakuidut pystyvät turpoamaan ja täyttämään reiät, jotka ompeluneula on tehnyt tuotteeseen tuotannon aikana.

- Anna tuotteen kuivua kokonaan, ennen kuin pakkaat sen.

Kun tämä käsittely tehdään ennen ensimmäistä käyttökertaa, tuote pitää paremmin vettä kastuessaan myöhemmässä käytössä.

## Kattotelan asennus



### HUOMIO! Loukkaantumisvaara

- Pyydä aina toista henkilöä auttamaan, kun kattotelta täytyy nostaa ajoneuvon katolle.
- Varmista, että ajoneuvon lähellä ei ole muita, etenkin lapsia, kun nostatte kattotelan yhdessä avustajan kanssa ajoneuvon katolle.



### OHJE

Kattotellassa on merkintä sillä puolella, jolle tikkaat kiinnitetään. Varmista, että kattotelta suunnataan siten, että avatut tikkaat eivät haittaa ajoneuvon kuljettajan ovea (kuva 4, sivulla 3).

- Kattoteltaa kiinnitetään kuvien osoittamalla tavalla (kuva **2**, sivulla 3 – kuva **15**, sivulla 6).

## Kattotelan pystytys



### HUOMIO! Loukkaantumis- ja materiaalivahinkovaara

- Älä käytä minkäänlaista auton renkaiden täyttämiseen tarkoitettua kompressoria.
- AIR-tankoihin saa täyttää ilmaa enintään 0,62 bar/9 psi.
- Älä työnnä sormia puolien alueelle, kun pystytät tai säädät tikkaita.

- Kattoteltaa pystytetään kuvien osoittamalla tavalla (kuva **16**, sivulla 6 – kuva **36**, sivulla 11).

## Kattotelan taottaminen kokoon



### HUOMIO! Rusentumisvaara

Älä työnnä sormia puolien alueelle, kun työnnät tikkaita kokoon.



### OHJE

Tikkaiden alapuolassa olevilla sinisillä liukukappaleilla avataan samalla kertaa kaikkien osioiden lukitus, jolloin tikkaat voidaan työntää kokoon (kuva **41**, sivulla 13).

- Kattoteltaa taitellaan kokoon kuvien osoittamalla tavalla (kuva **37**, sivulla 12 – kuva **44**, sivulla 13).

## 12 V:n sähkötoimisen Gale-ilmapumpun käyttö

12 V:n sähkötoimisessa Gale-ilmapumpussa on paineinduktiojärjestelmä, ja se kytkeytyy automaattisesti pois heti kun paine on esiasetuksen mukainen. Paineinduktiojärjestelmän virhemarginaali on  $\pm 0,5$  psi.



### HUOMAUTUS! Ylikuumentumisvaara

- Varmista riittävän hyvä ilmanvaihto sähkötoimisen ilmapumpun käytön aikana.
- Älä käytä sähkötoimista ilmapumppua yli 15 min kerralla, jotta pumpun moottori ei ylikuumentu. Anna sähkötoimisen ilmapumpun jäähtyä 15 minuutin yhtäjaksoisen käytön jälkeen 30 min.



### OHJE

- Jos mitään painiketta ei paineta 30 sekuntiin, LCD-näyttö siirtyy valmiustilaan. Aktivoi se uudelleen painamalla mitä tahansa painiketta.
- Alkuun kestää jonkin aikaa ennen kuin painelukema alkaa kasvaa LCD-näytössä. Se on aivan normaalia, sillä AIR-kehysten täyttämiseen tarvitaan aluksi paljon ilmaa, ennen kuin merkittävää paineenmuutosta voidaan havaita.

## Tikkaiden käyttö



### HUOMIO! Loukkaantumisvaara

Varmista ennen tikkaiden käyttöä, että kaikkien avattujen osioiden lukitusmekanismit on lukittu.



### HUOMAUTUS! Vahingonvaara

Varmista, että tikkaiden suurin sallittu kokonaiskuormitus ei ylitä. Suurin sallittu kokonaiskuormitus on 130 kg/ 287 lbs.

## Tikkaiden pystyttäminen



### HUOMIO! Loukkaantumisvaara

Huomaa suositeltu pystytuskulma 65° – 75° (kuva **22**, sivulla 8).

Lukitusmekanismien liukukappaleet voidaan siirtää kahteen eri asentoon, jolloin osiot lukittuvat tai lukitus avautuu (kuva **21**, sivulla 8):

- Lukitse osio siirtämällä liukukappaleet kummaltakin puolelta tikkaita asentoon **(B)** (kuva **21 A**, sivulla 8).
- Avaa osion lukitus siirtämällä liukukappaleet kummaltakin puolelta tikkaita asentoon **(B)** (kuva **21 B**, sivulla 8).

## Varastointi

### Kattotelan ja tikkaiden säilytys



### HUOMIO! Loukkaantumisvaara

- Tikkaat voi jättää kiinni kattoteltaan säilytyksen ajaksi. Varmista, että tikkaat on työnnetty täysin kokoon ja että tikkaiden kaikkien osioiden lukitusmekanismit ovat lukkiutuneet.
- Jos irrotat tikkaat kattotelasta säilytystä varten, varmista, että tikkaita säilytetään sellaisessa asennossa, että ne pysyvät suorassa (esim. sijoitettuna tasaiselle alustalle).



### HUOMAUTUS! Vahingonvaara

Tikkaiden liukukappaleet ja jalkojen päädyt ovat muovia. Säilytä tikkaita paikassa, jossa se on suojassa UV-säteilyltä.

1. Irrota kattotelta kattotelineestä.
2. Puhdista kattotelta ja tikkaat tarvittaessa.
3. Varmista, että kattotelta ja tikkaat ovat kuivuneet kokonaan, ennen kuin pakkaat ne säilytystä varten.
4. Säilytä kuivassa tuuletetussa paikassa.

### 12 V:n sähkötoimisen Gale-ilmapumpun varastointi

1. Jos 12 V:n sähkötoiminen Gale-ilmapumppu on likaantunut, puhdista se.
2. Työnnä tulppa sitä varten olevaan aukkoon.
3. Ennen kuin pakkaat pumpun pois, varmista, etteivät sähköjohto ja ilmaletku ole tarttuneet mihinkään ja etteivät ne ole taitteella.
4. Säilytä kuivassa tuuletetussa paikassa.

## Puhdistus ja hoito



### VAROITUS! Loukkaantumisvaara

Kattoteltaa saa puhdistaa ja huoltaa vain maassa. Älä missään tapauksessa kiipeä ajoneuvon päälle puhdistamaan kattoteltaa kattotelan ollessa asennettuna katolle.



### HUOMAUTUS! Vahingonvaara

- Älä käytä puhdistukseen teräviä tai kovia esineitä tai puhdistusaineita.
- Älä käytä puhdistamiseen alkoholipohjaisia aineita, kemikaaleja, saippuaa äläkä puhdistusaineita.
- Poista lintujen jätökset ja pihka mahdollisimman pian, jotta materiaaliin ei tule pysyvää vauriota.
- Älä yritä työntää mitään 12 V:n sähkötoimisen Gale-ilmapumpun täyttöliittymään, sillä muuten pumpun sisäinen mekanismi voisi vaurioitua.
- Tikkaat saa korjata vain asian osaava henkilö.



### OHJE

- Pystytä kattotelletta ja tikkaat kokonaan puhdistusta varten.
- Valitse puhdistamiseen aurinkoinen päivä, jotta materiaali kuivuu perusteellisesti.

- Puhdista kattotelletta ja tikkaat tarvittaessa puhtaalla vedellä ja pehmeällä harjalla.
- Käsittele kattotelletta vedeltä ja UV-säteilyltä suojaavalla kyllästeaineella ennen jokaista matkaa.
- Puhdista Gale-ilmapumppu ajoittain kostealla liinalla.

### Tikkaiden tarkastus



#### HUOMIO! Loukkaantumisvaara

Älä käytä tikkaita, jos jokin seuraavassa luetelluista tarkastuksista ei tuota tyydyttävää tulosta.

Tee seuraavat tarkastukset toimituksen saatua ja ennen jokaista käyttökertaa:

- Tarkasta, että tikkaat ja tikkaiden osat eivät ole vääntyneet, lommolla, pahasti kuluneet, ruostuneet tai lahonneet.
- Tarkasta, että kiinnikkeitä, liukukappaleita ja tikkaiden jalkojen päätyjä ei puutu ja etteivät ne ole löysällä.
- Tarkasta, että liukukappaleet kiinnittyvät tukevasti puoliin.
- Tarkasta, että tikkaissa ei ole missään kohtaa likaa (esim. rapaa tai lunta).

### Vianetsintä



#### OHJE

- Vesikosketuksen aikana saumoihin voi ilmestyä kosteutta. Tämän kosteuden ansiosta langat turpoavat ja täyttävät ompeluprosessin aikana syntyneet reiät.
- Täydelliseen varaosasarjaan tulisi sisältyä:
  - Kyllästysaine
  - Korjausteippi ja korjausliuos
  - Vetoketjujen silikonisuihke

Ongelma	Ratkaisu
Kattotelan täyttämisen ilmalla on työläästä	<ul style="list-style-type: none"> <li>➤ Tarkasta, että venttiili on ruuvattu kokonaan AIR-tankoon.</li> <li>➤ Tarkasta, onko täyttöputki kierteellä venttiilissä. Tämä voi ilmetä äänestä. Kierrä täyttöputki suoraksi.</li> <li>➤ Tarkista, että sähkötoiminen pumppu toimii.</li> </ul>
Jokin kattotelan osa ei tyhjene ilmasta	<ul style="list-style-type: none"> <li>➤ Tarkasta, että kaikki ilmatäytteisiä kaaria yhdistävät eristysventtiilit ovat auki.</li> </ul>
AIR-tangot ovat taitteella	<ul style="list-style-type: none"> <li>➤ Lisää ilmaa (9 psi/0,62 baaria).</li> </ul>
Ilmavuoto	<ul style="list-style-type: none"> <li>➤ Tarkasta, että venttiili on ruuvattu kokonaan AIR-tankoon ja rengastiiviste on paikallaan.</li> <li>➤ Tarkasta, että venttiilin korkki on tiukasti kiinni.</li> <li>➤ Etsi reikiä, katso kap. "Ilmatäytteisen kaaren reiän korjaaminen" sivulla 76</li> </ul>
Vesivuoto	<ul style="list-style-type: none"> <li>➤ Tarkasta, vuotavatko saumat, onko teippauksissa vaurioita ja löytyykö märkiä kohtia.</li> <li>➤ Jos et löydä vuotoja, katso kap. "Veden tiivistyminen" sivulla 76.</li> <li>➤ Jos löydät vuotoja, käytä saumatiivistettä.</li> </ul>
Kankaassa on repeämä	<ul style="list-style-type: none"> <li>➤ Korjaa kangas paikkausteipillä.</li> <li>➤ Anna valtuutetun ammattilaisen tehdä korjaukset.</li> </ul>

### Veden tiivistyminen

Kaikkiin teltoihin tiivistyy kosteutta, jos yksi tai useampi seuraavista oloista ilmenee:

- Suuri ilmankosteus
- Lämpötilan putoaminen

Voimakas tiivistyminen voi johtaa veden valumiseen katon sisäpuolella ja tippumiseen solmuista, teipeistä ja muista sisäkiinnityksistä. Tätä voi luulla vuoksi.

- Lisää tuuletusta avaamalla ovet ja/tai ikkunat.

### Ilmatäytteisen kaaren reiän korjaaminen

Jos ilmatäyteinen kaari veltostuu, toimi seuraavasti:

1. Avaa ilmatäytteistä kaarta pitävän ulomman suojuksen vetoketju.
  2. Sulje eristysventtiilit, jos sellaiset on.
  3. Ota ilmatäyteinen kaari pois.
  4. Tyhjennä ilmatäyteinen kaari.
  5. Avaa suojus ilmatäytteisen putken paljastamiseksi.
  6. Puhalla ilmatäytteiseen putkeen hieman ilmaa.
  7. Upota putki veteen.
  8. Paikallista reikä.
  9. Käytä reiän paikkaamiseen korjausteippiä ja korjaussarjaa.
  10. Sulje ilmatäyteinen putki takaisin suojuksen vetoketjun avulla.
  11. Sulje ilmatäyteinen kaari takaisin ulompaan suojukseen.
- Noudata myös kohdassa kuva **45**, sivulla 14 – kuva **46**, sivulla 14 annettuja ohjeita.

### Hävittäminen



- Vie pakkausmateriaalit mahdollisuuksien mukaan niille tarkoitettuihin kierrätysjäteastioihin.
- Tiedustele lähimmästä kierrätyskeskuksesta tai erikoisliikkeestä tuotetta koskevia yksityiskohtaisia hävittämistä koskevia ohjeita.
- Tuotteen voi hävittää veloituksetta.

### Takuu

Tuotetta koskee lakisääteinen tuotevastuu-aika. Jos tuote on viallinen, ota yhteyttä jälleenmyyjään tai valmistajan toimipisteeseen omassa maassasi (ks. [dometic.com/dealer](http://dometic.com/dealer)).

Jos lähetät tuotteen korjattavaksi, liitä korjaus- ja takuukäsittelyä varten mukaan seuraavat asiakirjat:

- Kopio kuitista, jossa näkyy ostopäivä
- Valitusperuste tai vikakuvaus

Huomaa, että itse tai väärin tehty korjaus voi vaarantaa turvallisuuden ja johtaa takuun raukeamiseen.

Takuu kattaa valmistusvirheet, materiaalit ja osat. Takuu ei kata suojuksen haalistumista eikä UV-säteilystä johtuvaa kulumista, väärinkäyttöä, vahingoista syntyneitä vaurioita, myrskyvaurioita eikä jatkuvaa, osittain jatkuvaa eikä kaupallista käyttöä. Se ei kata seurannaisvaurioita. Jos sinulla on aihetta valitukseen, ota yhteyttä jälleenmyyjään. Tämä ei rajoita lakisääteisiä oikeuksiasi.



## Tekniset tiedot

	<b>TRT140 AIR</b>
Vaahtomuovipatjan paksuus	3,2 cm/1,3 in
Kondenssinerroksen paksuus	0,5 cm/0,2 in
Hyötytila sisällä (L x K x S)	55 x 43 x 83 in/ 140 x 110 x 210 cm
Ulkoteltan mitat (L x K x S)	57 x 47 x 86 in/ 145 x 120 x 219 cm
Telttapakkauksen mitat (L x K x S)	59 x 13 x 32 in 149 x 33 x 82 cm
Tikkaiden ja varusteiden pakkauksen mitat (L x K x S)	31 x 5 x 20 in 79 x 12 x 49,5 cm
Paino (tikkaat mukaan lukien)	57,65 kg/ 127,1 lbs

	<b>12 V:n Gale-pumppu</b>
Jännite	12 V---
Syöttöteho	100 l/26 gal/min ± 10%
Käyttöaika	Enintään 15 min
Melupäästöt	32 dB
Mitat (L x K x S)	280 x 90 x 200 mm/11 x 3,5 x 7,9 in
Paino	1,79 kg/3,9 lb

Prosimy o uważne przeczytanie niniejszej instrukcji i przestrzeganie wszystkich zawartych w niej instrukcji postępowania, wskazówek i ostrzeżeń. Pozwoli to zapewnić, że produkt będzie zawsze prawidłowo instalowany, wykorzystywany i konserwowany. Niniejsza instrukcja MUSI przez cały czas pozostawać przy produkcie.

Korzystając z produktu, użytkownik potwierdza uważne przeczytanie wszelkich instrukcji, wskazówek i ostrzeżeń, ich zrozumienie oraz zobowiązuje się przestrzegać zawartych w nich warunków. Użytkownik zobowiązuje się wykorzystywać niniejszy produkt wyłącznie zgodnie z jego przeznaczeniem i zamierzonym zastosowaniem oraz z instrukcjami, wskazówkami i ostrzeżeniami wyszczególnionymi w niniejszej instrukcji produktu, jak również ze wszystkimi mającymi zastosowanie przepisami i regulacjami prawnymi. Nieprzestrzeganie zawartych tu instrukcji i ostrzeżeń może skutkować obrażeniami u użytkownika oraz osób trzecich, uszkodzeniem produktu lub też uszkodzeniem mienia w sąsiedztwie produktu. Zastrzega się możliwość wprowadzania zmian i aktualizacji niniejszej instrukcji produktu, wraz z instrukcjami, wskazówkami i ostrzeżeniami oraz powiązaną dokumentacją. Aktualne informacje dotyczące produktu można zawsze znaleźć na stronie [documents.dometic.com](http://documents.dometic.com), [dometic.com](http://dometic.com).

## Objaśnienie symboli



### **NIEBEZPIECZEŃSTWO!**

**Wskazówka bezpieczeństwa:** Wskazuje niebezpieczną sytuację, która – jeśli się jej nie uniknie – prowadzi do śmierci lub poważnych obrażeń.



### **OSTRZEŻENIE!**

**Wskazówka bezpieczeństwa:** Wskazuje niebezpieczną sytuację, która – jeśli się jej nie uniknie – może prowadzić do śmierci lub poważnych obrażeń.



### **OSTROŻNIE!**

**Wskazówka bezpieczeństwa:** Wskazuje niebezpieczną sytuację, która – jeśli się jej nie uniknie – może prowadzić do lekkich lub umiarkowanych obrażeń.



### **UWAGA!**

Wskazuje sytuację, która – jeśli się jej nie uniknie – może prowadzić do powstania szkód materialnych.



### **WSKAZÓWKA**

Dodatkowe informacje dotyczące obsługi produktu.

## Ogólne wskazówki bezpieczeństwa



**NIEBEZPIECZEŃSTWO! Nieprzestrzeganie tych instrukcji może prowadzić do śmierci lub ciężkich obrażeń.**

### **Ryzyko zatrucia tlenkiem węgla**

- Nigdy nie używać wewnątrz namiotu urządzeń spalających paliwo, takich jak grille lub gazowe urządzenia grzewcze. W procesie spalania powstaje tlenek węgla, który gromadzi się wewnątrz namiotu ze względu na brak przewodu do odprowadzania spalin.



**OSTRZEŻENIE! Nieprzestrzeganie tych ostrzeżeń może prowadzić do śmierci lub ciężkich obrażeń.**

### **Ryzyko pożaru**

- Zapoznać się z lokalnymi zasadami ochrony przeciwpożarowej.
- Nie gotować wewnątrz namiotu ani nie używać otwartego płomienia.
- Nie dopuszczać do kontaktu tkaniny namiotu z jakimikolwiek źródłami płomieni lub wysokich temperatur.

### **Ryzyko uduszenia**

- Uważać, aby otwory wentylacyjne były przez cały czas otwarte, aby uniknąć uduszenia.

### **Ryzyko obrażeń**

- Urządzenie nie jest przeznaczone do użytku przez osoby (w tym dzieci) o ograniczonych zdolnościach fizycznych, sensorycznych lub umysłowych.
- Dzieci nie mogą bawić się w pobliżu ani we wnętrzu namiotu. Należy dopilnować, aby dzieci zachowywały ostrożność podczas korzystania z drabiny.

- Dzieci nie mogą czyścić ani konserwować produktu bez nadzoru.
- Przed rozkładaniem i użytkowaniem namiotu dachowego zawsze sprawdzać prognozę pogody.
  - Nie używać namiotu dachowego, jeśli zapowiadane są silny wiatr lub burza.
  - Jeśli rozpęta się burza, natychmiast opuścić namiot dachowy i udać się pojazdem w bezpieczne miejsce. Pozostać w samochodzie do ustania burzy, aby uniknąć porażenia piorunem.
  - Nie rozkładać, nie używać i nie składać namiotu dachowego lub drabiny podczas silnego wiatru.
  - Nie składać namiotu dachowego podczas silnego deszczu.
- Nie używać namiotu dachowego, jeśli jakkolwiek jego część lub którykolwiek z jego elementów wykazują widoczne uszkodzenia. Skontaktować się z producentem w celu uzyskania pomocy.
- Stosować tylko atestowane (np. opatrzone znakiem GS) bagażniki dachowe, dopuszczone do użytku z danym pojazdem.
- Przed montażem namiotu dachowego upewnić się, że pojazd i bagażnik dachowy posiadają wystarczającą nośność dla namiotu dachowego oraz osób i przedmiotów, które mają się w nim znajdować.



### **WSKAZÓWKA**

- Zawsze mieć przy sobie instrukcję obsługi pojazdu i bagażnika dachowego oraz przestrzegać ich treści.

## Bezpieczeństwo podczas korzystania z drabiny



**OSTROŻNIE! Nieprzestrzeganie tych uwag może prowadzić do lekkich lub umiarkowanych obrażeń. Ryzyko obrażeń**

- Po otrzymaniu dostawy oraz przed każdym zastosowaniem należy sprawdzać, czy drabina jest nieuszkodzona i umożliwi bezpieczne użytkowanie. Nie używać uszkodzonej drabiny.
- Podczas wchodzenia po drabinie, schodzenia z niej oraz ogólnie podczas korzystania z drabiny występuje ryzyko upadku. Z drabiny należy korzystać w taki sposób, aby w maksymalnym stopniu zminimalizować ryzyko upadku.
  - Mocno trzymać się drabiny.
  - Nie wychylać się na bok.
  - Po drabinie chodzić tylko twarzą zwróconą w jej kierunku.
- Na drabinie jednocześnie znajdować się może tylko jedna osoba.
- Nie ustawiać drabiny na nierównym, niestabilnym lub zanieczyszczonym podłożu.
- Podczas korzystania z drabiny nie nosić ze sobą ciężkiego lub nieporęcznego wyposażenia.
- Podczas korzystania z drabiny nie nosić nieodpowiedniego obuwia.
- Nie korzystać z drabiny, jeżeli jest ona zanieczyszczona, np. błotem lub śniegiem.
- Nie korzystać z drabiny w przypadku ograniczeń fizycznych. Niektóre schorzenia, leki, alkohol lub narkotyki mogą powodować zagrożenie podczas korzystania z drabiny.
- Przed transportem, przed każdym zastosowaniem oraz przed odłożeniem drabiny do przechowywania upewnić się, że mechanizmy blokujące wszystkich rozłożonych segmentów są zablokowane.

- Podczas rozkładania drabiny oraz korzystania z niej należy mieć na uwadze ryzyko zderzenia, np. z pieszymi, pojazdami lub drzwiami. W miarę możliwości zamknąć drzwi (za wyjątkiem wyjść ewakuacyjnych) oraz okna w obszarze zastosowania.
- Nie dokonywać jakichkolwiek modyfikacji drabiny ani żadnych jej elementów.



#### **UWAGA! Ryzyko uszkodzenia**

- Przestrzegać podanego maksymalnego łącznego obciążenia drabiny.

### **Bezpieczeństwo podczas transportowania namiotu dachowego na dachu pojazdu**



#### **OSTRZEŻENIE! Nieprzestrzeganie tych ostrzeżeń może prowadzić do śmierci lub ciężkich obrażeń.**

##### **Ryzyko obrażeń**

- Jazda z namiotem dachowym na dachu pojazdu dopuszczalna jest tylko wtedy, gdy namiot jest złożony i prawidłowo przykryty pokrowcem.
- Nie przekraczać prędkości jazdy 110 km/h (88 mph) z namiotem dachowym na dachu pojazdu.
- Na początku każdej podróży oraz w regularnych odstępach czasu podczas każdej podróży sprawdzać, czy namiot dachowy jest stabilnie zamocowany na bagażniku dachowym, a jego pokrowiec jest zabezpieczony. Nieprawidłowo zamontowany bagażnik dachowy lub namiot dachowy mogą spaść podczas jazdy i spowodować obrażenia u innych uczestników ruchu drogowego.
- Prawidłowo przechowywać drabinę na złożonym namiocie dachowym – pod pokrowcem na namiot, aby zapobiec jej spadnięciu podczas jazdy i spowodowaniu przez nią obrażeń u innych uczestników ruchu drogowego.
- Dostosować styl jazdy (np. uważać na wiatr boczny, podczas pokonywania zakrętów i hamowania) do zmienionej wysokości pojazdu.



#### **UWAGA! Ryzyko uszkodzenia**

- Namiot dachowy zwiększa wysokość pojazdu. Uważać na niskie przejazdy, niskie mosty, nisko wiszące gałęzie i inne przeszkody.
- Przed korzystaniem z myjni automatycznej zdjąć namiot dachowy i bagażnik dachowy.



#### **WSKAZÓWKA**

- Podczas jazdy z namiotem dachowym na dachu pojazdu może występować szum spowodowany przez powietrze.

### **Bezpieczne korzystanie z pompy elektrycznej Gale 12V**



#### **OSTRZEŻENIE! Nieprzestrzeganie tych ostrzeżeń może prowadzić do śmierci lub ciężkich obrażeń.**

##### **Ryzyko porażenia prądem**

- Nie używać pompy elektrycznej, jeśli posiada ona widoczne uszkodzenia.
- Jeśli przewód pompy elektrycznej ulegnie uszkodzeniu, aby uniknąć zagrożenia, musi zostać on wymieniony przez producenta, centrum serwisowe lub odpowiednio wykwalifikowaną osobę.
- Napraw pompy elektrycznej może dokonywać tylko odpowiednio wykwalifikowany personel. Nieodpowiednio wykonane naprawy mogą być przyczyną znacznych zagrożeń.
- Nie używać elektrycznej pompy powietrza w wilgotnych warunkach ani nie zanurzać jej w jakiegokolwiek cieczy. Przechowywać w suchym miejscu.



#### **OSTROŻNIE! Nieprzestrzeganie tych uwag może prowadzić do lekkich lub umiarkowanych obrażeń.**

##### **Ryzyko porażenia prądem**

- Przed uruchomieniem elektrycznej pompy powietrza upewnić się, że przewód zasilający i wtyczka są suche, a na wtyczce nie ma rdzy ani ciał obcych.
- Elektryczną pompę powietrza odłączać od zasilania:
  - za każdym razem przed czyszczeniem i konserwacją
  - po każdym użyciu

##### **Ryzyko obrażeń**

- To urządzenie nie może być używane przez osoby (w tym dzieci) o ograniczonych zdolnościach fizycznych, sensorycznych lub umysłowych, albo przez osoby bez doświadczenia i wiedzy w przypadku braku odpowiedniego nadzoru lub gdy osoba odpowiedzialna za bezpieczeństwo nie poinstruowała użytkowników w zakresie bezpiecznego korzystania z danego urządzenia.
- Trzymać dzieci i zwierzęta domowe z dala od pompy elektrycznej podczas jej pracy.
- Nie kierować strumienia powietrza na twarz lub ciało.
- Przestrzegać zalecanego ciśnienia powietrza.
- Dzieci nie mogą czyścić ani konserwować produktu bez nadzoru.



#### **UWAGA! Ryzyko uszkodzenia**

- Należy porównać dane dotyczące napięcia na tabliczce znamionowej z dostępnym źródłem zasilania.
- Pompę elektryczną podłączać tylko przewodem prądu stałego do zasilania prądem stałym w pojeździe.
- Nie ustawiać urządzenia w pobliżu otwartego ognia ani innych źródeł ciepła (ogrzewanie, bezpośrednie promieniowanie słoneczne, piece gazowe itp.).
- Nie pozostawiać pracującego urządzenia bez nadzoru.
- Wtyczki nie wolno nigdy wyciągać z gniazda, ciągnąc za kabel.

### **W zestawie**

Element	Ilość
Namiot dachowy	1
Drabina teleskopowa	1
Pokrowiec z PVC	1
Torba z narzędziami	1
Wspornik w kształcie litery U	4
Śruba M8 x 50	8
Wkręt M8 x 16	4
Podkładka M8 1 mm	8
Podkładka sprężysta M8	12
Podkładka M8 1,5 mm	4
Nakrętka motylkowa M8	4
Aluminiowa płytką mocująca	12
Plastikowe pokrętło gwiazdowe z nakrętką M8	8
Plastikowe zaślepki	4
Pompa elektryczna Gale 12V	1
Wąż do powietrza	1
Adapter dyszy	6
Kieszka torby do przechowywania	2

Element	Ilość
Siatka do przechowywania	1
Przedłużenie węża (1,4 m)	1

## Akcesoria

Elementy dostępne jako akcesoria (niedostarczane w zestawie):

Element	Nr katalogowy
TRT 140 AIR Awning Low	9120002119
TRT 140 AIR Awning Tall	9120002120
Pompka ręczna	9120000439

## Użytkowanie zgodne z przeznaczeniem

Namiot dachowy nadaje się do:

- Montażu na odpowiednim bagażniku dachowym na dachu odpowiedniego pojazdu
- Użytkowania przy dobrej lub umiarkowanej pogodzie
- Rozbijania na krótki okres

Namiot dachowy **nie** nadaje się do:

- Użytkowania przez osoby o ograniczonych możliwościach fizycznych, sensorycznych lub umysłowych
- Użytkowania przy bardzo silnym wietrze lub opadach śniegu
- Rozbijania na cały sezon lub zastosowań komercyjnych

Drabina przeznaczona jest do mocowania do opisywanego namiotu dachowego. Drabinę wykorzystywać można wyłącznie w połączeniu z tym namiotem dachowym i **nie** jest ona przeznaczona do niezależnego zastosowania.

Drabina **nie** jest przeznaczona do użytku profesjonalnego.

Niniejszy produkt jest przystosowany wyłącznie do wykorzystywania zgodnie z jego przeznaczeniem oraz zamierzonym zastosowaniem według niniejszej instrukcji.

Niniejsza instrukcja zawiera informacje, które są niezbędne do prawidłowego montażu i/lub obsługi produktu. Nieprawidłowy montaż i/lub niewłaściwa obsługa lub konserwacja powodują niezadowolające działanie i mogą prowadzić do uszkodzeń.

Producent nie ponosi żadnej odpowiedzialności za ewentualne obrażenia lub uszkodzenia produktu wynikłe z następujących przyczyn:

- Nieprawidłowy montaż lub podłączenie, w tym zbyt wysokie napięcie
- Niewłaściwa konserwacja lub użycie innych części zamiennych niż oryginalne części zamienne dostarczone przez producenta
- Wprowadzanie zmian w produkcie bez wyraźnej zgody producenta
- Użytkowanie w celach innych niż opisane w niniejszej instrukcji obsługi

Firma Dometic zastrzega sobie prawo do zmiany wyglądu i specyfikacji produktu.

## Opis techniczny

Namiot dachowy jest wyposażony w nadmuchiwane słupki, które można wypełniać powietrzem za pomocą pojedynczego zaworu.

Długość drabiny przyłączonej do namiotu dachowego można dostosować do wysokości pojazdu.

W namiocie dachowym znajduje się materac z pianki o wysokiej gęstości.

Do transportu na dachu pojazdu namiot dachowy można złożyć i przykryć dołączonym do zestawu pokrowcem na namiot.

Bagażnik dachowy, na którym zainstalowany ma zostać namiot dachowy, musi spełniać następujące wymagania:

- Aby umożliwić jazdę z zainstalowanym namiotem dachowym, bagażnik dachowy musi być w stanie utrzymać masę co najmniej 75 kg/165 lb.
- Szerokość bagażnika dachowego musi wynosić co najmniej 68 cm/27 in.
- Odległość między dwoma szynami bagażnika dachowego musi wynosić pomiędzy 70 cm/28 in a 125 cm/50 in.

## Korzystanie z namiotu dachowego



### OSTRZEŻENIE! Ryzyko obrażeń

- Przed wejściem na drabinę upewnić się, że namiot dachowy jest stabilnie przymocowany do bagażnika dachowego.
- Przed wejściem na drabinę upewnić się, że każdy z jej szczebli jest zablokowany.
- Podczas chodzenia po drabinie zawsze zachowywać ostrożność.
- Przed snem zamykać drzwi wejściowe do namiotu dachowego, aby zapobiec wypadnięciu z namiotu podczas snu.
- Jeżeli z namiotu dachowego korzystają dwie osoby, należy uważać, aby nie siedziały one jednocześnie z przodu lub z tyłu albo też po jednej stronie namiotu dachowego. Rozmieszczenie masy dwóch osób po jednej stronie namiotu może spowodować jego upadek (rys. 33, strona 11).
- Przed jazdą z zamontowanym namiotem dachowym zawsze upewniać się, czy pokrowiec jest prawidłowo zamocowany (rys. 44, strona 13).



### OSTROŻNIE! Ryzyko obrażeń

Nigdy nie otwierać zamka błyskawicznego na rękawie ochronnym, gdy nadmuchiwany słupek jest napompowany. Powoduje to bowiem rozerwanie nadmuchiwanego słupka.



### UWAGA! Ryzyko szkód materialnych

- Podczas rozkładania i składania namiotu dachowego pozostawiać otwarte jego boczne okno.
- Nie otwierać ani nie zamykać zamków błyskawicznych na siłę.



### WSKAZÓWKA

Podczas korzystania z namiotu używać zintegrowanych miejsc do przechowywania, tak aby nic nie mogło spaść ani zostać zapomniane w namiocie podczas jego składania (rys. 31, strona 10).

## Przed pierwszym użyciem

Przed pierwszym użyciem produktu zapoznać się z nim poprzez jego próbne rozłożenie. Sprawdzić, czy w zestawie znajdują się wszystkie elementy.

### Przygotowanie produktu przed pierwszym użyciem

Produkt wykonany jest z materiałów wymagających odpowiedniego przygotowania przed jego pierwszym użyciem w celu zapewnienia maksymalnej wodoszczelności.

1. Całkowicie rozłożyć produkt na zewnątrz w momencie, w którym można spodziewać się deszczu, lub w miejscu, gdzie można polać go wodą z węża i całkowicie go zmoczyć.

Ten proces pozwala przygotować namiot do użytku. Podczas takiego przygotowywania tkanina napręża się, a bawełna, z której wykonywane są nici, pęcznieje i wypełnia otwory powstałe podczas szycia.

2. Przed spakowaniem pozostawić produkt do całkowitego wyschnięcia.

Wykonanie tych czynności przed pierwszym zastosowaniem produktu zapewnia, że będzie on lepiej chronić przed wodą, gdy po raz kolejny wejdzie w kontakt z wilgocią.

## Montaż namiotu dachowego



### OSTROŻNIE! Ryzyko obrażeń

- Namiot dachowy montować na pojeździe zawsze w dwie osoby.
- Przed umieszczeniem namiotu dachowego na dachu pojazdu upewnić się, że w pobliżu pojazdu nie znajdują się inne osoby, a w szczególności dzieci.



### WSKAZÓWKA

Strona namiotu dachowego, po której montuje się drabinę, jest odpowiednio oznakowana. Namiot dachowy należy umieszczać w takim położeniu, aby rozłożona drabina nie blokowała drzwi kierowcy pojazdu (rys. 4, strona 3).

- W celu zamontowania namiotu dachowego postępować w zilustrowany sposób (rys. 2, strona 3 – rys. 15, strona 6).

## Rozkładanie namiotu dachowego



### OSTROŻNIE! Ryzyko obrażeń i szkód materialnych

- Nie używać żadnych typów sprzężarek przeznaczonych do pompowania opon samochodowych.
- Nie przekraczać maksymalnego ciśnienia pompowania nadmuchiwanym słupków wnoszącego 9 psi/0,62 bar.
- Nie wkładać palców do obszaru szczelbi podczas rozkładania lub regulacji drabiny.

- W celu rozłożenia namiotu dachowego postępować w zilustrowany sposób (rys. 16, strona 6 – rys. 36, strona 11).

## Składanie namiotu dachowego



### OSTROŻNIE! Ryzyko zmiążdżenia

Nie wkładać palców do obszaru szczelbi podczas składania drabiny.



### WSKAZÓWKA

Niebieskie suwaki na dolnym szczelblu drabiny powodują równoczesne odblokowanie wszystkich segmentów, co umożliwia złożenie drabiny (rys. 41, strona 13).

- W celu złożenia namiotu dachowego postępować w zilustrowany sposób (rys. 37, strona 12 – rys. 44, strona 13).

## Korzystanie z pompy elektrycznej Gale 12 V

Pompa elektryczna Gale 12 V wyposażona jest w system indukcyjnego ciśnienia i wyłącza się automatycznie po osiągnięciu zadanej wartości ciśnienia. System indukcyjnego ciśnienia działa z marginesem błędów wynoszącym  $\pm 0,5$  psi.



### UWAGA! Ryzyko przegrzania

- Dbać o wystarczającą wentylację pompy elektrycznej podczas jej pracy.
- Pompa elektryczna nie może pracować ciągle przed dłużej niż 15 min, ponieważ może to spowodować przegrzanie jej silnika.  
Po 15 min ciągłego stosowania pozostawić pompę elektryczną na 30 min do ostygnięcia.



### WSKAZÓWKA

- Jeśli w ciągu 30 sekund nie zostanie naciśnięty żaden przycisk, wyświetlacz LCD przełączy się w tryb czuwania. W celu jego wybudzenia należy nacisnąć dowolny przycisk.
- Na początku wskazanie ciśnienia na wyświetlaczu pozostaje przez dłuższy czas niezmiennie, a dopiero później zaczyna wzrastać. Jest to normalne zjawisko spowodowane dużą ilością powietrza wymaganą na początku do wypełnienia nadmuchiwanej ramy, zanim możliwe będzie wykrycie wyraźnej zmiany ciśnienia.

## Korzystanie z drabiny



### OSTROŻNIE! Ryzyko obrażeń

Przed skorzystaniem z drabiny upewnić się, że mechanizmy blokujące wszystkich rozłożonych segmentów są zablokowane.



### UWAGA! Ryzyko uszkodzenia

Uważać, aby nie doszło do przekroczenia maksymalnego łącznego obciążenia drabiny. Maksymalne łączne obciążenie wynosi 130 kg / 287 lbs.

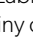
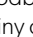
## Rozkładanie drabiny



### OSTROŻNIE! Ryzyko obrażeń

Przestrzegać zalecanego kąta rozkładania 65° – 75° (rys. 22, strona 8).

Suwaki mechanizmów blokujących można ustawiać w dwóch położeniach, w celu zablokowania lub odblokowania segmentów (rys. 21, strona 8):

- Aby zablokować segmenty, przesunąć suwaki po obydwu stronach drabiny do położenia  (rys. 21 A, strona 8).
- Aby odblokować segmenty, przesunąć suwaki po obydwu stronach drabiny do położenia  (rys. 21 B, strona 8).

## Przechowywanie

### Przechowywanie namiotu dachowego i drabiny



### OSTROŻNIE! Ryzyko obrażeń

- Drabinę można przechowywać zamontowaną do namiotu dachowego. Należy upewnić się, że drabina jest całkowicie złożona, a mechanizmy blokujące wszystkich jej segmentów są zablokowane.
- W przypadku przechowywania drabiny po jej odłączeniu od namiotu dachowego należy uważać, aby przechowywać ją w pozycji, w której nie może się ona odkształcić (np. na płaskiej powierzchni).



### UWAGA! Ryzyko uszkodzenia

Suwaki i zaślepki nóg drabiny wykonane są z plastiku. Drabinę należy przechowywać w miejscu, w którym będzie ona chroniona przed promieniowaniem UV.

- Zdemontować namiot dachowy z bagażnika dachowego.
- W razie potrzeby wyczyścić namiot dachowy i drabinę.
- Przed spakowaniem namiotu dachowego i drabiny upewnić się, że są one całkowicie suche.
- Przechowywać w dobrze wentylowanym, suchym miejscu.

## Przechowywanie pompy elektrycznej Gale 12 V

1. W razie potrzeby wyczyścić pompę elektryczną Gale 12 V.
2. Umieścić wtyczkę w przewidzianym do tego celu otworze.
3. Przed spakowaniem upewnić się, że przewód zasilający ani wąż do powietrza nie są przytrażnięte ani załamane.
4. Przechowywać w dobrze wentylowanym, suchym miejscu.

## Czyszczenie i konserwacja



### OSTRZEŻENIE! Ryzyko obrażeń

Namiet dachowy czyścić i konserwować wyłącznie na ziemi. Nigdy nie wchodzić na pojazd w celu czyszczenia zamontowanego na dachu namiotu dachowego.



### UWAGA! Ryzyko uszkodzenia

- Do czyszczenia nie używać ostrych ani twardych przedmiotów lub środków czyszczących.
- Do czyszczenia nie używać środków na bazie alkoholu, chemikaliów, mydła ani detergentów.
- Jak najszybciej usuwać ptasie odchody i żywicę, aby uniknąć trwałego uszkodzenia materiału.
- Nie próbować umieszczać żadnych przedmiotów w przyłączy do pompowania pompy elektrycznej Gale 12 V, ponieważ mogłoby to spowodować uszkodzenie wewnętrznego mechanizmu pompy.
- Napraw drabiny dokonywać mogą wyłącznie kompetentne osoby.



### WSKAZÓWKA

- Całkowicie rozkładać namiot dachowy i drabinę do czyszczenia.
- Czyszczenie przeprowadzać w słoneczny dzień, aby materiał mógł całkowicie wyschnąć.

- ▶ W razie potrzeby wyczyścić namiot dachowy i drabinę czystą wodą i miękką szczotką.
- ▶ Przed każdą podróżą nakładać na namiot dachowy środek impregnujący w celu zabezpieczenia go przed wodą i promieniowaniem UV.
- ▶ Od czasu do czasu czyścić pompę Gale wilgotną ściereczką.

## Kontrola drabiny



### OSTROŻNIE! Ryzyko obrażeń

Nie używać drabiny, jeżeli wynik którejkolwiek z wyszczególnionych poniżej kontroli nie jest w pełni zadowalający.

Po odebraniu dostawy oraz po każdym użyciu należy przeprowadzać poniższe kontrole:

- ▶ Skontrolować drabinę oraz jej poszczególne elementy pod kątem wygięć, wgnieceń, nadmiernego zużycia, korozji lub degradacji materiału.
- ▶ Skontrolować, czy nie ma brakujących lub poluzowanych mocowań, suwaków oraz zaślepek nóżek drabiny.
- ▶ Skontrolować, czy suwaki prawidłowo blokują się na szczeblach.
- ▶ Sprawdzić, czy cała drabina jest wolna od zanieczyszczeń (np. błota lub śniegu).

## Usuwanie usterek



### WSKAZÓWKA

- Podczas pierwszego kontaktu z wodą na szwach może pojawić się wilgoć. Spowoduje ona spęcznienie nici, które uszczelniały otwory powstałe w trakcie szycia.
- W pełni wyposażony zestaw części zamiennych powinien zawierać następujące elementy:
  - Impregnat
  - Taśma naprawcza i roztwór naprawczy
  - Silikon w sprayu do zamków błyskawicznych

Problem	Rozwiązanie
Namiet dachowy trudno nadmuchiwa się	<ul style="list-style-type: none"><li>▶ Sprawdzić, czy zawór jest całkowicie wkręcony w nadmuchiwany słupek.</li><li>▶ Sprawdzić, czy rurka do pompowania nie jest skręcona przy zaworze. Może wskazywać na to charakterystyczny odgłos. Wyprostować rurkę do pompowania.</li><li>▶ Sprawdzić, czy pompa elektryczna działa.</li></ul>
Z części namiotu dachowego nie uchodzi powietrze	<ul style="list-style-type: none"><li>▶ Sprawdzić, czy wszystkie zawory odcinające łączące ze sobą nadmuchiwane słupki są otwarte.</li></ul>
Nadmuchiwane słupki są załamane	<ul style="list-style-type: none"><li>▶ Wpompować więcej powietrza (9 psi/0,62 bara).</li></ul>
Wyciek powietrza	<ul style="list-style-type: none"><li>▶ Sprawdzić, czy zawór jest całkowicie wkręcony w nadmuchiwany słupek i czy uszczelka pierścieniowa jest na swoim miejscu.</li><li>▶ Sprawdzić, czy korek zaworu jest mocno osadzony.</li><li>▶ Sprawdzić, czy nie doszło do przebicia, patrz rozdz. „Naprawianie przebitego nadmuchiwanego słupka” na stronie 82.</li></ul>
Przeciekanie wody	<ul style="list-style-type: none"><li>▶ Sprawdzić, czy nie ma przeciekających szwów, uszkodzonych uszczelnień taśmą lub wilgotnych obszarów.</li><li>▶ Jeśli nie można znaleźć nieszczelności, patrz rozdz. „Skropliny” na stronie 82.</li><li>▶ W przypadku zlokalizowania nieszczelności zastosować uszczelniacz do szwów.</li></ul>
Rozdarcie tkaniny	<ul style="list-style-type: none"><li>▶ Uszczelnić tkaninę taśmą naprawczą.</li><li>▶ Zlecić naprawę autoryzowanemu specjalście.</li></ul>

## Skropliny

We wszystkich namiotach osadzają się skropliny, gdy występuje co najmniej jeden z poniższych warunków:

- Wysoka wilgotność powietrza
- Spadek temperatury

Duże ilości skropliny mogą spływać po wewnętrznej stronie dachu i po linach, taśmach oraz innych wewnętrznych elementach, co może zostać błędnie zinterpretowane jako przeciekanie.

- ▶ Zapewnić dodatkową wentylację poprzez otwarcie drzwi i/lub okien.

## Naprawianie przebitego nadmuchiwanego słupka

Jeżeli z nadmuchiwanego słupka uchodzi powietrze, postępować w następujący sposób:

1. Otworzyć zamek błyskawiczny zewnętrznego rękawa, w którym znajduje się nadmuchiwany słupek.
2. Jeśli zainstalowane są zawory odcinające, zamknąć je.
3. Wyjąć nadmuchiwany słupek.
4. Wypuścić powietrze z nadmuchiwanego słupka.
5. Otworzyć zamek rękawa ochronnego i odsłonić nadmuchiwaną rurkę.
6. Wpompować nieco powietrza do nadmuchiwanej rurki.
7. Zanurzyć rurkę w wodzie.

8. Zlokalizować przebicie.
  9. Uszczelnić otwór za pomocą taśmy naprawczej i roztworu do naprawiania.
  10. Z powrotem umieścić nadmuchiwaną rurkę w rękawie ochronnym i zamknąć zamek błyskawiczny.
  11. Z powrotem umieścić nadmuchiwany słupek w zewnętrznym rękawie i zamknąć zamek błyskawiczny.
- Przestrzegać również informacji zawartych na rys. 45, strona 14 – rys. 46, strona 14.

## Utylizacja



- Opakowanie należy wyrzucić do odpowiedniego pojemnika na odpady do recyklingu.
- Szczegółowe informacje na temat utylizacji produktu zgodnie z obowiązującymi przepisami można uzyskać w lokalnym zakładzie recyklingu lub u specjalistycznego dystrybutora.
- Produkt można zutylizować nieodpłatnie.

## Gwarancja

Obowiązuje ustawowy okres gwarancji. W przypadku stwierdzenia uszkodzenia produktu należy skontaktować się z jego sprzedawcą lub z oddziałem producenta w danym kraju (patrz [dometic.com/dealer](http://dometic.com/dealer)).

W celu naprawy lub realizacji gwarancji konieczne jest przesłanie wraz z produktem następujących dokumentów:

- Kopii rachunku z datą zakupu
- Informacji o przyczynie reklamacji lub opisu wady

Uwaga: Samodzielne lub nieprofesjonalne wykonywanie napraw może powodować zagrożenia oraz doprowadzić do utraty gwarancji.

Gwarancja obejmuje wady produkcyjne, materiałowe oraz części. Gwarancja nie obejmuje wyblaknięcia zewnętrznej powłoki oraz zużycia w wyniku działania promieniowania ultrafioletowego, nieprawidłowego zastosowania, przypadkowego uszkodzenia, uszkodzeń spowodowanych przez burze lub też ciągłe, częściowo ciągłe lub komercyjne wykorzystywanie. Nie obejmuje ona również szkód następczych. Roszczenia należy zgłaszać do dystrybutora. Powyższe zapisy nie ograniczają uprawnień ustawowych.

## Dane techniczne

	TRT140 AIR
Głębokość materaca piankowego	3,2 cm/1,3 in
Głębokość warstwy zapobiegającej skraplaniu się wilgoci	0,5 cm/0,2 in
Użyteczna przestrzeń wewnętrzna (szer. x wys. x gł.)	55 x 43 x 83 in 140 x 110 x maks. 210 cm
Wymiary namiotu zewnętrznego (szer. x wys. x gł.)	57 x 47 x 86 in 145 x 120 x maks. 219 cm
Wymiary namiotu po spakowaniu (szer. x wys. x gł.)	59 x 13 x 32 in 149 x 33 x maks. 82 cm
Wymiary drabiny i akcesoriów po spakowaniu (szer. x wys. x gł.)	31 x 5 x 20 in 79 x 12 x maks. 49,5 cm
Masa (wraz z drabiną)	57,65 kg/127,1 lbs

	Pompa Gale 12 V
Napięcie	12 V=
Wydajność	100 l/26 gal/min ± 10%
Czas pracy	maks. 15 min
Emisja szumów	32 dB
Wymiary (szer. x wys. x gł.)	11 x 3,5 x 7,9 in / 280 x 90 x 200 mm
Masa	1,79 kg/3,9 lb

Dôkladne si prečítajte tento návod a dodržiavajte všetky pokyny, usmernenia a varovania uvedené v tomto návode k výrobku, aby sa zaručilo, že výrobok sa vždy bude správne inštalovať, používať a udržiavať. Tento návod MUSÍ zostať priložený k výrobku.

Používaním tohto výrobku týmto potvrdzujete, že ste si dôkladne prečítali všetky pokyny, usmernenia a varovania a že rozumiete a súhlasíte s dodržiavaním všetkých uvedených podmienok. Súhlasíte, že tento výrobok budete používať len v súlade so zamýšľaným použitím a v súlade s pokynmi, usmerneniami a varovaniami uvedenými v tomto návode k výrobku, ako aj v súlade so všetkými platnými zákonmi a nariadeniami. V prípade, že si neprečítate a nebudete sa riadiť pokynmi a varovaniami uvedenými v tomto návode, môže mať za následok vaše poranenie alebo poranenie iných osôb, poškodenie vášho výrobku alebo poškodenie majetku v jeho blízkosti. Tento návod k výrobku vrátane pokynov, usmernení a varovaní, a súvisiaca dokumentácia môže podliehať zmenám a aktualizáciám. Najaktuálnejšie informácie o výrobku nájdete na adrese [documents.dometic.com](http://documents.dometic.com), [dometic.com](http://dometic.com).

## Vysvetlenie symbolov



### NEBEZPEČENSTVO!

**Bezpečnostný pokyn:** Označuje nebezpečnú situáciu, ktorej následkom je smrť alebo vážne zranenie, ak sa jej nezabráni.



### VÝSTRAHA!

**Bezpečnostný pokyn:** Označuje nebezpečnú situáciu, ktorej následkom môže byť smrť alebo vážne zranenie, ak sa jej nezabráni.



### UPOZORNENIE!

**Bezpečnostný pokyn:** Označuje nebezpečnú situáciu, ktorej následkom môže byť malé alebo stredne ťažké zranenie, ak sa jej nezabráni.



### POZOR!

Označuje situáciu, ktorej následkom môže byť poškodenie majetku, ak sa jej nezabráni.



### POZNÁMKA

Doplňkové informácie týkajúce sa obsluhy produktu.

## Základné bezpečnostné pokyny



**NEBEZPEČENSTVO! Nedodržanie tohto upozornenia bude mať za následok smrť alebo vážne poranenie.**

### Nebezpečenstvo otravy oxidom uhoľnatým

- Nikdy nepoužívajte spotrebič na plynne alebo kvapalné palivá, ako napríklad BBQ grily či plynové ohrievače vnútri stanu. Pri procese spaľovania vzniká oxid uhlíčitý, ktorý sa akumuluje vnútri stanu, keďže tento nemá žiadny vetrací otvor.



**VÝSTRAHA! Nedodržanie týchto varovaní môže mať za následok smrť alebo vážne poranenie.**

### Nebezpečenstvo požiaru

- Uistite sa, že poznáte protipožiarne opatrenia na mieste.
- Nevarte ani nepoužívajte otvorený plameň vnútri stanu.
- Všetky zdroje plameňa a tepla držte ďalej od tkaniny tohto stanu.

### Nebezpečenstvo udusenía

- Zaistite, aby boli vetracie otvory stále otvorené, aby nedošlo k zaduseniu.

### Nebezpečenstvo poranenia

- Toto zariadenie nie je určené na používanie osobami (vrátane detí) so zníženými fyzickými, zmyslovými alebo mentálnymi schopnosťami.
- Nedovoľte deťom, aby sa hrali v blízkosti stanu a postarajte sa, aby boli opatrní pri používaní rebríka.
- Čistenie a bežnú údržbu nesmú deti vykonávať bez dozoru.

- Pred postavením a použitím strešného stanu vždy sledujte predpoveď počasia.

- Nepoužívajte strešný stan, ak sa očakáva búrka.
- V prípade, že príde búrka, okamžite opustte strešný stan a uchýľte sa do bezpečia svojho vozidla. Zostaňte vo vozidle, kým búrka neskončí, aby ste predišli zásahu bleskom.
- Ak je veľmi veterné počasie, strešný stan alebo rebrík nestavajte, nepoužívajte alebo neskladajte.
- Neskladajte strešný stan počas silného dažďa.

- Nepoužívajte strešný stan, ak je akákoľvek jeho časť alebo niektorý z jeho komponentov viditeľne poškodený. Kontaktujte výrobcu ohľadne poradenstva.

- Používajte iba otestované (napr. značka GS) strešné nosiče, ktoré sú schválené na použitie s vaším vozidlom.
- Pred montážou strešného stanu sa ubezpečte, že vaše vozidlo a strešný nosič majú dostatočnú nosnosť pre strešný stan a osoby a predmety, ktoré majú byť v strešnom stane.



### POZNÁMKA

- Návody na obsluhu vozidla a používanie strešného nosiča majte vždy pri sebe a riadte sa ich pokynmi.

## Bezpečnosť pri používaní rebríka



**UPOZORNENIE! Nedodržanie týchto upozornení môže mať za následok drobné alebo stredne ťažké poranenie.**

### Nebezpečenstvo poranenia

- Po dodaní a pred každým použitím skontrolujte, či rebrík nie je poškodený a je bezpečný pre použitie. Nepoužívajte poškodený rebrík.
- Hrozí riziko pádu počas vystupovania, zostupovania a pri všeobecnom používaní rebríka. Rebrík sa musí používať takým spôsobom, aby riziko pádu bolo čo najmenšie.
  - Vždy sa pevne držte rebríka.
  - Nevykláňajte sa do strany.
  - Vystupujte a zostupujte iba tvárou k rebríku.
- Na rebríku sa nesmie súčasne nachádzať viac ako jedna osoba.
- Nepostavte rebrík na nerovnom, nestabilnom alebo znečistenom povrchu.
- Pri používaní rebríka neprenášajte vybavenie, ktoré je ťažké a náročné na manipuláciu.
- Pri lezení po rebríku noste vhodnú obuv.
- Nepoužívajte znečistený rebrík, napr. blatom alebo snehom.
- Nepoužívajte rebrík v prípade fyzických obmedzení. Konkrétny zdravotný stav, užívanie liekov, požitie alkoholu alebo užívanie drog môže predstavovať bezpečnostné riziko pri použití rebríka.
- Pred prepravou, každým použitím a skladovaním rebríka sa ubezpečte, že poistné mechanizmy pre všetky rozťahnuté segmenty sú zaistené.
- Pri postavení a použití rebríka dávajte pozor na nebezpečenstvo kolízie, napr. s chodcami, vozidlami alebo dverami. V oblasti použitia zatvorte dvere (okrem núdzových východov) a okná, ak je to možné.
- Žiadnym spôsobom neupravujte ani neprispôbujte rebrík ani žiadne jeho komponenty.



### POZOR! Nebezpečenstvo poškodenia

- Dodržte špecifikovanú celkovú maximálnu nosnosť rebríka.



## Bezpečnosť pri preprave strešného stanu na streche vozidla



**VÝSTRAHA! Nedodržanie týchto varovaní môže mať za následok smrť alebo vážne poranenie.**

### Nebezpečenstvo poranenia

- So strešným stanom na streche vozidla jazdíte iba vtedy, keď je strešný stan zložený a kryt na stan je správne zakrytý krytom na stan.
- So strešným stanom na streche vozidla nejazdíte vyššou rýchlosťou než 110 km/h (88 mph).
- Pred každým výletom a v pravidelných intervaloch počas výletu skontrolujte, či je strešný stan pevne uchytený k strešnému nosiču a kryt na stan je bezpečne zaistený. Nesprávne namontovaný strešný nosič alebo strešný stan môže počas jazdy odletieť a pri páde môžu zraniť ostatných účastníkov cestnej premávky.
- Rebrík správne uložte na vrchu zloženého strešného stanu a pod krytom stanu, aby sa zabránilo pádu rebríka a zraneniu ostatných účastníkov cestnej premávky počas jazdy.
- Prispôsobte jazdu (napr. citlivosť na bočný vietor, jazda do zákrut a brzdenie) zmenenej výške vozidla.



### POZOR! Nebezpečenstvo poškodenia

- Strešný stav zväčší výšku vozidla. Dávajte pozor na nízke vjazdy, nízke mosty, nízko visiace vetvy a iné prekážky.
- Pri vjazde do automatickej autoumyvárne demontujte strešný stan a strešný nosič.



### POZNÁMKA

- Pri jazde so strešným stanom na streche vozidla sa môže prejavovať šum vetra.

## Bezpečnosť pri prevádzke 12 V elektrickej pumpy Gale



**VÝSTRAHA! Nedodržanie týchto varovaní môže mať za následok smrť alebo vážne poranenie.**

### Nebezpečenstvo úrazu elektrickým prúdom

- Nepoužívajte elektrickú pumpu, ak je viditeľné poškodená.
- Ak je pripájací kábel elektrickej pumpy poškodený, musí jeho výmenu vykonať výrobca alebo jeho servisný technik alebo podobne kvalifikovaná osoba, aby sa zabránilo bezpečnostným rizikám.
- Túto elektrickú pumpu smie opravovať iba kvalifikovaný personál. Nesprávne opravy môžu zapríčiniť vážne riziká.
- Elektrickú vzduchovú pumpu nepoužívajte vo vlhkých podmienkach ani ju neponárajte do žiadnych kvapalín. Skladujte ho na suchom mieste.



**UPOZORNENIE! Nedodržanie týchto upozornení môže mať za následok drobné alebo stredne ťažké poranenie.**

### Nebezpečenstvo úrazu elektrickým prúdom

- Pred spustením elektrickej vzduchovej pumpy sa uistite, že napájací kábel a zástrčka sú suché a na zástrčke nie sú viditeľné známky korózie alebo cudzie látky.
- Elektrickú vzduchovú pumpu odpojte od zdroja napätia
  - Pred každým čistením a údržbou
  - Po každom použití

### Nebezpečenstvo poranenia

- Toto zariadenie nie je určené na používanie osobami (vrátane detí) s obmedzenými fyzickými, zmyslovými alebo duševnými schopnosťami alebo nedostatkom skúsenosti a znalostí, pokiaľ nie sú pod primeraným dohľadom alebo ich osoba, ktorá je zodpovedná za ich bezpečnosť, dôkladne nepoučí o používaní zariadenia.

- Počas prevádzky nedovoľte deťom a domácim zvieratám, aby sa priblížili k elektrickej pumpe.
- Nesmerujte prúd vzduchu na tvár alebo telo.
- Dodržiavajte odporúčaný tlak vzduchu.
- Čistenie a bežnú údržbu nesmú deti vykonávať bez dozoru.



### POZOR! Nebezpečenstvo poškodenia

- Skontrolujte, či údaj o napätí na typovom štítku súhlasí s údajom na zdroji napájania.
- Elektrickú pumpu pripájajte iba k zdroju jednosmerného prúdu vo vozidle pomocou kábla na jednosmerný prúd.
- Neumiestňujte zariadenie do blízkosti otvoreného plameňa alebo iných zdrojov tepla (ohrievače, priame slnečné žiarenie, plynové rúry atď.).
- Zariadenie v prevádzke nenechávajte bez dozoru.
- Konektor nikdy nevyťahujte zo zásuvky za kábel.

## Rozsah dodávky

Dielec	Počet
Strešný stan	1
Teleskopický rebrík	1
PVC kryt	1
Taška na náradie	1
Konzola v tvare U	4
Skrutka M8 × 50	8
Skrutka M8 × 16	4
Podložka M8 1 mm	8
Voľná podložka M8	12
Podložka M8 1,5 mm	4
Krídlová matica M8	4
Hliníková deliaca doska	12
Plastová kolesová matica M8	8
Plastová koncovka	4
12 V elektrická pumpa Gale	1
Vzduchová hadica	1
Dýzový adaptér	6
Úložná taška	2
Úložná sieť	1
Predlžovacia hadica (1,4 m)	1

## Príslušenstvo

K dispozícii ako príslušenstvo (nie je súčasťou dodávky):

Dielec	Č. výr.
TRT 140 AIR Awning Low	9120002119
TRT 140 AIR Awning Tall	9120002120
Ručná pumpa	9120000439

## Používanie v súlade s určením

Tento strešný stan je vhodný pre:

- montáž na vhodný strešný nosič na strechu vhodného vozidla
- mierne až stredne mierne počasie
- výlety, zájazdy

Tento strešný stan **nie je** vhodný pre:

- používanie osobami so zníženými fyzickými, zmyslovými alebo mentálnymi schopnosťami
- veľmi silný vietor alebo sneženie
- vrchol sezóny alebo komerčné použitie

Rebrík je určený na pripavenie k tomuto strešnému stanu. Rebrík sa smie používať iba spolu s týmto strešným stanom a **nesmie** sa používať samostatne.

Rebrík **nie je** určený na profesionálne použitie.

Tento výrobok je vhodný iba na zamýšľané použitie a použitie v súlade s týmto návodom.

Tento návod obsahuje informácie, ktoré sú nevyhnutné pre správnu inštaláciu a/alebo obsluhu výrobku. Chybná inštalácia a/alebo nesprávna obsluha či údržba bude mať za následok neuspokojivý výkon a možnú poruchu.

Výrobca nenesie žiadnu zodpovednosť za akékoľvek poranenia či škody na výrobku spôsobené:

- nesprávnou montážou alebo pripojením vrátane nadmerného napätia
- nesprávnou údržbou alebo použitím iných ako originálnych náhradných dielov poskytnutých výrobcom
- zmeny produktu bez výslovného povolenia výrobcu
- použitie na iné účely než na účely opísané v návode

Firma Dometic si vyhradzuje právo na zmenu vzhľadu a technických parametrov výrobku.

## Technický opis

Strešný stan je vybavený s nafukovateľnými vzduchovými tyčami AIR, ktoré sa môžu nafúknuť s použitím jediného ventilu.

Rebrík pripavený k strešnému stanu je možné prispôbiť výške vozidla.

Súčasťou strešného stanu je penový matrac s vysokou hustotou.

Kvôli preprave na streche vozidla je strešný stan možné zložiť a zakryť dodaným krytom na stanu.

Strešný nosič, na ktorý sa strešný stan namontujete, musí spĺňať nasledujúce požiadavky:

- Strešný nosič musí mať nosnosť minimálne 75 kg/165 lbs, aby bola možná jazda s namontovaným strešným stanom.
- Šírka strešného nosiča musí byť minimálne 68 cm/27 in.
- Dve lišty strešného nosiča musia byť od seba vzdialené 70 cm/28 in až 125 cm/50 in.

## Používanie strešného stanu



### VÝSTRAHA! Nebezpečenstvo poranenia

- Skôr než vyleziete po rebríku sa ubezpečte, že strešný stan je pevne uchytý k strešnému nosiču.
- Skôr než vyleziete po rebríku sa ubezpečte, že každý schodík rebríka je zaistený.
- Po rebríku vždy stúpte opatrne.
- Skôr než sa uložíte k spánku, zatvorte vstupné dvere strešného stanu, aby ste predišli vypadnutiu zo strešného stanu počas spánku.
- Ak strešný stan využívajú dve osoby, postarajte sa, aby obe súčasne nesedeli na zadnej alebo prednej strane alebo na bočnej strane stanu. Stan sa môže prevrátiť, ak je hmotnosť dvoch ľudí iba na jednej strane stanu (obr. 33, strane 11).
- Pred jazdou s namontovaným strešným stanom sa vždy ubezpečte, že kryt je správne uviazaný (obr. 44, strane 13).



### UPOZORNENIE! Nebezpečenstvo poranenia

Nikdy nerozpínajte zips na ochrannom puzdre, kým je vzduchová tyčka nafúknutá. Spôsobiloby to roztrhnutie vzduchovej tyčky.



### POZOR! Poškodenie materiálu

- Počas postavenia alebo zloženia strešného stanu nechajte bočné okno strešného stanu otvorené.
- Zipsy nezapínajte ani nerozpínajte hrubou silou.



### POZNÁMKA

Počas používania strešného stanu využívajte integrované úložné priestory, aby nič nespadlo dole alebo sa nezabudlo pri zložení stanu (obr. 31, strane 10).

## Pred prvým použitím

Oboznámte sa s výrobkom tak, že pred prvým použitím ho na skúšku postavíte. Skontrolujte, či je obsah dodávky úplný.

### Pred prvým použitím vystavte váš produkt poveternostnému vplyvu

Produkt je vyrobený z materiálov, ktoré si vyžadujú prípravu pred použitím, aby sa maximalizovala jeho odolnosť proti poveternostným podmienkam.

1. Produkt úplne rozložte vonku, keď sa očakáva dážď alebo na mieste, kde ho môžete vonku postriekať hadicou, aby bol úplne premočený.

Tento proces je známy ako vystavenie poveternostnému vplyvu. Procesom vystavenia poveternostnému vplyvu sa textília stane pevnejšou a bavlna vo švoch môže napučať a vyplniť tak diery, ktoré vytvorili ihly počas výrobného procesu.

2. Pred zbalením nechajte produkt dôkladne uschnúť.

Vykonanie tohto procesu pred prvým použitím zaručí, že odolnosť produktu pred poveternostnými podmienkami sa zlepší pri ďalších premočeniach.

## Montáž strešného stanu



### UPOZORNENIE! Nebezpečenstvo poranenia

- Strešný stan zdvíhajte na vozidlo iba spolu s ďalšou osobou.
- Ubezpečte sa, že v blízkosti vozidla sa nezdržiavajú žiadne iné osoby, najmä deti, keď spolu s pomocníkom zdvíhate strešný stan na strechu vozidla.



### POZNÁMKA

Bočná strana strešného stanu, kde bude namontovaný rebrík, je označená. Postarajte sa, aby strešný stav bol vyrovnaný tak, že dvere vozidla na strane vodiča nebudú blokované vysunutým rebríkom (obr. 4, strane 3).

- ▶ Pri montáži strešného stanu postupujte podľa obrázkov (obr. 2, strane 3 – obr. 15, strane 6).

## Postavenie strešného stanu



### UPOZORNENIE! Nebezpečenstvo poranenia a poškodenia materiálu

- Nepoužívajte kompresory určené na hustenie pneumatík.
- Vzduchové tyče AIR nafukujte iba na maximálne 0,62 baru/9 psi.
- Pri postavení alebo nastavovaní rebríka nedávajte prsty do oblasti schodíkov.

- ▶ Pri postavení strešného stanu postupujte podľa obrázkov (obr. 16, strane 6 – obr. 36, strane 11).

## Zloženie strešného stanu



### UPOZORNENIE! Nebezpečenstvo pomliaždenia

Pri zložení rebríka nedávajte prsty do oblasti schodíkov.



### POZNÁMKA

Modré tlačidlá na dolnom schodíku rebríka odistia všetky segmenty naraz, takže rebrík je možné zložiť (obr. 41, strane 13).

- ▶ Pri zložení strešného stanu postupujte podľa obrázkov (obr. 37, strane 12 – obr. 44, strane 13).

## Použitie 12 V elektrickej pumpy Gale

12 V elektrická pumpa Gale je vybavená systémom snímania tlaku a automaticky sa vypne ihneď po dosiahnutí prednastaveného tlaku. Systém snímania tlaku pracuje s odchýlkou  $\pm 0,5$  psi.



### POZOR! Riziko prehriatia

- Postarajte sa, aby elektrická pumpa mala počas prevádzky dostatočné vetranie.
- Elektrickú pumpu nenechajte nepretržite bežať dlhšie ako 15 minút, pretože motor sa môže prehriať. Po 15 minútach nepretržitej prevádzky nechajte elektrickú pumpu vychladnúť na 30 minút.



### POZNÁMKA

- Ak sa po dobu 30 sekúnd nestlačí žiadne tlačidlo, LCD displej sa prepne do režimu pohotovosti. Stlačte ľubovoľné tlačidlo na jeho opätovné zapnutie.
- Zo začiatku bude chvíľu trvať, kým sa hodnota tlaku na LCD displeji zvýši. Ide o normálny jav, keďže spočiatku je potrebné veľké množstvo vzduchu na plnenie rámu AIR, než bude detegovaná výrazná zmena v náraste tlaku.

## Používanie rebríka



### UPOZORNENIE! Nebezpečenstvo poranenia

Pred použitím rebríka sa ubezpečte, že poistné mechanizmy pre všetky rozťahnuté segmenty sú zaistené.



### POZOR! Nebezpečenstvo poškodenia

Postarajte sa, aby nebola prekročená celková maximálna nosnosť rebríka. Celková maximálna nosnosť je 130 kg/287 lbs.



## Postavenie rebríka



### UPOZORNENIE! Nebezpečenstvo poranenia

Dodržte odporúčaný uhol nastavenia  $65^\circ - 75^\circ$  (obr. 22, strane 8).

Posúvače poistných mechanizmov je možné posunúť do dvoch polôh pre zaistenie alebo odistenie segmentov (obr. 21, strane 8):

- ▶ Posuňte posúvače na oboch stranách rebríka do polohy  pre zaistenie segmentu (obr. 21 A, strane 8).
- ▶ Posuňte posúvače na oboch stranách rebríka do polohy  pre odistenie segmentu (obr. 21 B, strane 8).

## Skladovanie

### Skladovanie strešného stanu a rebríka



### UPOZORNENIE! Nebezpečenstvo poranenia

- Rebrík môže zostať namontovaný na strešnom stave kvôli uskladneniu. Postarajte sa, aby rebrík bol úplne zložený a aby poistné mechanizmy pre všetky segmenty rebríka boli zaistené.
- Pri demontáži rebríka zo strešného stanu pre uskladnenie zabezpečte, aby rebrík bol uskladnený v polohe, kde zostane rovno (napr. umiestnený na plochom podkladke).



### POZOR! Nebezpečenstvo poškodenia

Posúvače a koncovky nôh rebríka sú vyrobené z plastu. Rebrík skladujte na mieste, kde je chránený pred UV žiarením.

1. Demontujte strešný stan zo strešného nosiča.
2. Ak je to potrebné, vyčistite strešný stan a rebrík.
3. Ubezpečte sa, že strešný stan a rebrík sú úplne suché, skôr než ich zbalíte.
4. Uskladnite ho na dobre vetranom, suchom mieste.

### Skladovanie 12 V elektrickej pumpy Gale

1. Ak je to potrebné, vyčistite 12 V elektrickú pumpu Gale.
2. Pripojte zástrčku do pripraveného otvoru.
3. Pre zabalenie sa ubezpečte, že prírodný kábel a vzduchová hadica nie sú zachytené alebo zalomené.
4. Uskladnite ho na dobre vetranom, suchom mieste.

## Čistenie a údržba



### VÝSTRAHA! Nebezpečenstvo poranenia

Čistenie a údržbu strešného stanu vykonávajte iba na zemi. Nikdy nelezte na vozidlo, aby ste očistili strešný stan, kým je tento namontovaný na streche vozidla.



### POZOR! Nebezpečenstvo poškodenia

- Na čistenie nepoužívajte ostré ani tvrdé predmety alebo čistiace prostriedky.
- Na čistenie nepoužívajte materiály na báze alkoholu, chemické prípravky, mydlo a čistiace prostriedky.
- Okamžite odstráňte vtáčí trus a živicu, aby ste predišli trvalému poškodeniu materiálu.
- Nepokúšajte sa vkladať žiadne predmety do nafukovacieho portu 12 V elektrickej pumpy Gale, pretože tým môžete poškodiť vnútorný mechanizmus pumpy.
- Opravu rebríka smie vykonať iba kompetentná osoba.



### POZNÁMKA

- Strešný stan a rebrík úplne rozložte kvôli čisteniu.
- Na čistenie si vyberte slnečný deň, aby sa materiál dôkladne vysušil.

- ▶ Ak je to nutné, strešný stan a rebrík očistite s čistou vodou a mäkkou kefkou.
- ▶ Pred každým výletom ošetríte strešný stan impregnáciou na ochranu pred vodou a proti UV žiareniu.
- ▶ Pumpu Gale príležitostne vyčistíte navlhčenou handričkou.

## Kontrola rebríka



### UPOZORNENIE! Nebezpečenstvo poranenia

Nepoužívajte rebrík, ak niektorá kontrola v nasledujúcom zozname nie je plne uspokojivá.

Po dodaní a pred každým použitím vykonajte nasledujúce kontroly:

- ▶ Skontrolujte, či rebrík alebo súčasti rebríka nie sú deformované, vyduté, pretlačené, nadmerne opotrebované, skorodované alebo prehnité.
- ▶ Skontrolujte, či fixačné prvky, posúvače a koncovky nôh rebríka nechýbajú alebo nie sú uvoľnené.
- ▶ Skontrolujte, či posúvače riadne zapadajú na schodíkoch.
- ▶ Skontrolujte, či je celý rebrík zbavený nečistôt (napr. blato alebo sneh).

## Odstraňovanie porúch



### POZNÁMKA

- Pri prvom kontakte s vodou môžu byť švy trochu navlhnuté. Vplyvom tejto vlhkosti vlákna zväčšia svoj objem a vyplnia otvory vytvorené pri šití.
- Kompletná súprava náhradných dielov musí obsahovať:
  - Impregnačný prostriedok
  - Pásku a roztok na opravu
  - Silikónový sprej na zipsy

Problém	Riešenie
Strešný stan sa nafúkne iba sťažka	<ul style="list-style-type: none"><li>▶ Skontrolujte, či je ventil úplne zakrútený do vzduchovej tyčky.</li><li>▶ Skontrolujte, či je nafukovacia trubica skrútená na ventil. To môže byť signalizované zvukom. Rozkrúťte nafukovaciu trubicu.</li><li>▶ Skontrolujte, či elektrická pumpa funguje.</li></ul>
Časť strešného stanu sa nesfúkne	<ul style="list-style-type: none"><li>▶ Skontrolujte, či všetky poistné ventily, ktoré spájajú vzduchové tyčky, sú otvorené.</li></ul>
Vzduchové tyčky sú zalomené	<ul style="list-style-type: none"><li>▶ Pridajte viac vzduchu (9 psi/0,62 baru).</li></ul>
Unikanie vzduchu	<ul style="list-style-type: none"><li>▶ Skontrolujte, či je ventil úplne zakrútený do vzduchovej tyčky a tesniaci krúžok je na svojom mieste.</li><li>▶ Skontrolujte, či je uzáver ventilu tesne zatvorený.</li><li>▶ Skontrolujte, či nedošlo k prepichnutiu, pozrite si kap. „Oprava prepichnutej vzduchovej tyčky“ na strane 88</li></ul>
Presakovanie vody	<ul style="list-style-type: none"><li>▶ Skontrolujte na netesné švy, poškodené pripojenia a vlhké miesta.</li><li>▶ Ak nedokáže nájsť žiadne netesné body, pozrite si kap. „Kondenzácia“ na strane 88.</li><li>▶ Ak nájdete netesné body, aplikujte tesniacu hmotu na švy.</li></ul>
Trhlina v textílii	<ul style="list-style-type: none"><li>▶ Použite opravnú pásku na utesnenie textílie.</li><li>▶ Opravy prenechajte kvalifikovanému odborníkovi.</li></ul>

## Kondenzácia

Pri všetkých stanoch dochádza k vnútornej tvorbe kondenzácie, ak sa vyskytne jedna alebo viacero nasledujúcich podmienok:

- vysoká vlhkosť vzduchu
- pokles teploty

Pri výraznej tvorbe kondenzácie môže táto stekať po vnútornej strane strechy a odkvapkávať zo šnúr, pásiek a iných vnútorných prvkov a chybné sa považovať za netesnosť.

- ▶ Zlepšite vetranie otvorením dverí a/alebo okien.

## Oprava prepichnutej vzduchovej tyčky

Ak zo vzduchovej tyčky uniká vzduch, postupujte nasledujúcim spôsobom:

1. Odzipsujte vonkajšie puzdro, ktoré drží vzduchovú tyčku.
2. Zatvorte poistné ventily, ak sú namontované.
3. Odoberte vzduchovú tyčku.
4. Vyfúknite vzduchovú tyčku.
5. Odzipsujte ochranné puzdro pre odkrytie nafukovacej trubice.
6. Nafukovaciu trubicu trochu nafúknite.
7. Ponorte trubicu do vody.
8. Nájdite miesto prepichnutia.
9. Použite pásku a roztok na opravu na utesnenie prepichnutia.
10. Nafukovaciu trubicu zazipsujte späť do ochranného puzdra.
11. Vzduchovú tyčku zazipsujte späť do vonkajšieho puzdra.

- ▶ Tiež sa riadte informáciami uvedenými v obr. 45, strane 14 – obr. 46, strane 14.

## Likvidácia



- Obalový materiál dávajte podľa možnosti do príslušného recyklovateľného odpadu.
- Informujte sa v najbližšom recyklačnom stredisku alebo u vášho špecializovaného predajcu o likvidácii výrobku v súlade s príslušnými predpismi týkajúcimi sa likvidácie.
- Výrobok je možné bezplatne zlikvidovať.

## Záruka

Platí zákonom stanovená záručná lehota. Ak je výrobok poškodený, obráťte sa na svojho predajcu alebo pobočku výrobcu vo svojej krajine (pozri [dometic.com/dealer](http://dometic.com/dealer)).

Ak žiadate o vybavenie opravy alebo nárokov vyplývajúcich zo záruky, k zaslanému produktu musíte priložiť nasledujúce dokumenty:

- Kópiu faktúry s dátumom kúpy,
- Dôvod reklamácie alebo opis chyby.

Upozorňujeme Vás, že samooprava alebo neodborná oprava môže mať za následok ohrozenie bezpečnosti a zánik záruky.

Záruka sa vzťahuje na výrobné chyby, materiály a diely. Záruka sa nevzťahuje na blednutie krytu a opotrebenie spôsobené UV žiarením, nesprávne použitie, náhodné poškodenie, poškodenie pri búrke, alebo trvalé, polotrvalé alebo komerčné použitie. Nevzťahuje na žiadne škody z toho vyplývajúce. V prípade nárokov sa obráťte na svojho predajcu. Toto nemá vplyv na vaše zákonné práva.

## Technické údaje

	<b>TRT140 AIR</b>
Výška penového matraca	3,2 cm/1,3 in
Výška antikondenzačnej vrstvy	0,5 cm/0,2 in
Využitelný vnútorný priestor (Š × V × H)	55 × 43 × 83 in 140 × 110 × 210 cm
Rozmery vonkajšieho stanu (Š × V × H)	57 × 47 × 86 in 145 × 120 × 219 cm
Rozmery zbaleného stanu (Š × V × H)	59 × 13 × 32 in 149 × 33 × 82 cm
Rozmery zbaleného rebríka a príslušenstva (Š × V × H)	31 × 5 × 20 in 79 × 12 × 49,5 cm
Hmotnosť (vrátane rebríka)	57,65 kg/127,1 lbs

	<b>12 V pumpa Gale</b>
Napätie	12 V---
Plniaci výkon	100 l/26 gal/min ± 10 %
Doba prevádzky	maximálne 15 minút
Emisie hluku	32 dB
Rozmery (Š × V × H)	11 × 3,5 × 7,9 in/ 280 × 90 × 200 mm
Hmotnosť	1,79 kg/3,9 lb

Pečlivě si prosím přečtete a dodržujte všechny pokyny, směrnice a varování obsažené v tomto návodu k výrobku, abyste měli jistotu, že výrobek budete vždy správně instalovat, používat a udržívat. Tyto pokyny MUSÍ být uchovávány v blízkosti výrobku.

Používáním výrobku tímto potvrzujete, že jste si pečlivě přečetli všechny pokyny, směrnice a varování a že rozumíte podmínkám uvedeným v tomto dokumentu a souhlasíte s nimi. Souhlasíte s používáním tohoto výrobku pouze k určenému účelu a použití a v souladu s pokyny, směrnice a varováními uvedenými v tomto návodu k výrobku a v souladu se všemi příslušnými zákony a předpisy. Pokud si nepřečtete a nebudete dodržovat zde uvedené pokyny a varování, může to vést ke zranění vás i ostatních, poškození vašeho výrobku nebo poškození jiného majetku v okolí. Tento návod k výrobku, včetně pokynů, směrnic a varování a související dokumentace může být předmětem změn a aktualizací. Aktuální informace o výrobku naleznete na [documents.dometic.com](http://documents.dometic.com), [dometic.com](http://dometic.com).

## Vysvětlení symbolů



### NEBEZPEČÍ!

**Bezpečnostní pokyn:** Označuje nebezpečnou situaci, která, pokud se jí nezabrání, bude mít za následek smrt nebo vážné zranění.



### VÝSTRAHA!

**Bezpečnostní pokyn:** Označuje nebezpečnou situaci, která, pokud se jí nezabrání, může mít za následek smrt nebo vážné zranění.



### UPOZORNĚNÍ!

**Bezpečnostní pokyn:** Označuje nebezpečnou situaci, která, pokud se jí nezabrání, může mít za následek lehké nebo středně těžké zranění.



### POZOR!

Označuje nebezpečnou situaci, která, pokud se jí nezabrání, může mít za následek majetkové škody.



### POZNÁMKA

Doplňující informace týkající se obsluhy výrobku.

## Všeobecné bezpečnostní pokyny



**NEBEZPEČÍ! Nedodržení tohoto pokynu bude mít za následek smrt nebo vážné zranění.**

### Nebezpečí otravy oxidem uhelnatým

- Uvnitř stanu nikdy nepoužívejte přístroje na spalování paliva, jako jsou grily nebo plynové ohřívače. Při spalování vzniká oxid uhelnatý, který se hromadí uvnitř stanu, protože v něm není komín.



**VÝSTRAHA! Nedodržení těchto varování by mohlo mít za následek smrt nebo vážné zranění.**

### Nebezpečí požáru

- Ujistěte se, že znáte protipožární opatření na daném místě.
- Uvnitř stanu nevařte ani nepoužívejte otevřené plameny.
- Udržujte všechny zdroje plamene a tepla mimo tuto stanovou tkaninu.

### Nebezpečí udušení

- Zajistěte, aby byly větrací otvory stále otevřené, aby nedošlo k udušení.

### Riziko zranění

- Toto zařízení není určeno k použití osobami (včetně dětí) se sníženými fyzickými, smyslovými nebo duševními schopnostmi.
- Nedovolte dětem, aby si hrály kolem stanu nebo ve stanu, a dbejte na to, aby byly při používání žebříku opatrné.
- Čištění a běžnou údržbu nesmějí provádět děti bez dozoru.

- Před postavením a používáním střešního stanu se vždy podívejte na předpověď počasí.
  - Nepoužívejte střešní stan, pokud jsou hlášeny bouřky nebo hromobití.
  - Pokud vás zastihne bouřka, okamžitě opusťte střešní stan a dostaňte se do bezpečí ve svém vozidle. Zůstaňte ve vozidle, dokud bouřka neskončí, abyste se vyhnuli zasažení bleskem.
  - Střešní stan nebo žebřík nestavte, nepoužívejte ani neskládejte, pokud je velmi větrno.
  - Střešní stan neskládejte za silného deště.
- Nepoužívejte střešní stan, pokud je některá jeho část nebo kterákoliv z jeho součástí viditelně poškozená. Obratě se na výrobce a požádejte o pomoc.
- Používejte pouze testované (např. GS zkouška) střešní nosiče, které jsou schváleny pro použití s vaším vozidlem.
- Před montáží střešního stanu se ujistěte, že vaše vozidlo a střešní nosič poskytují dostatečnou nosnost pro střešní stan a osoby a předměty, které mají být uvnitř střešního stanu.



### POZNÁMKA

- Vždy mějte u sebe návod k používání vozidla a střešního nosiče a dodržujte pokyny v nich obsažené.

## Bezpečnost při používání žebříku



**UPOZORNĚNÍ! Nedodržení těchto upozornění by mohlo mít za následek lehké nebo střední zranění. Riziko zranění**

- Po dodání a před každým použitím zkontrolujte, zda žebřík není poškozený a zda je jeho používání bezpečné. Poškozený žebřík nepoužívejte.
- Při výstupu, sestupu a při používání žebříku obecně hrozí nebezpečí pádu. Žebřík je třeba používat takovým způsobem, aby se minimalizovalo riziko pádu.
  - Pevně se držte žebříku.
  - Nevyklánějte se do strany.
  - Při výstupu i sestupu buďte otočení k žebříku.
- Na žebřík nevstupujte s více než jednou osobou najednou.
- Nestavte žebřík na nerovném, nestabilním nebo znečištěném podkladu.
- Při používání žebříku nenoste vybavení, které je těžké nebo se s ním obtížně manipuluje.
- Při výstupu po žebříku nenoste nevhodnou obuv.
- Nepoužívejte žebřík, který je znečištěný, např. pokrytý blátem nebo sněhem.
- V případě fyzického omezení žebřík nepoužívejte. Některé zdravotní potíže, užívání léků, alkohol nebo drogy mohou při používání žebříku představovat bezpečnostní riziko.
- Před přepravou, každým použitím a uskladněním žebříku se ujistěte, že jsou zablokovány uzamykací mechanismy všech vysunutých segmentů.
- Při sestavování a používání žebříku dbejte na to, aby nedošlo ke kolizím, například s chodci, vozidly nebo dveřmi. Pokud je to možné, zavřete na místě použití dveře (s výjimkou nouzových východů) a okna.
- Žebřík ani žádnou jeho součást nijak neupravujte.



### POZOR! Nebezpečí poškození

- Nepřekračujte nejvyšší celkové zatížení žebříku.

## Bezpečnost při přepravě střešního stanu na střeše vozidla



**VÝSTRAHA! Nedodržení těchto varování by mohlo mít za následek smrt nebo vážné zranění.**

### Riziko zranění

- Se střešním stanem na střeše vozidla jezděte pouze v případě, že je střešní stan složený a řádně zakrytý krytem stanu.
- Se střešním stanem na střeše vozidla nejezděte rychleji než 110 km/h (88 mph).
- Na začátku každé jízdy a v pravidelných intervalech během každé jízdy zkontrolujte, zda je střešní stan pevně připevněn ke střešnímu nosiči a zda je kryt stanu bezpečně zajištěn. Nesprávně namontovaný střešní nosič nebo střešní stan může během jízdy spadnout a zranit ostatní účastníky silničního provozu.
- Žebřík uložte správně na vrchol složeného střešního stanu a pod kryt stanu, abyste zabránili pádu žebříku a zranění ostatních účastníků silničního provozu během jízdy.
- Přizpůsobte své chování při jízdě změně výšky vozidla (citlivost na boční vítr, chování při zatáčení a brzdění).



### POZOR! Nebezpečí poškození

- Střešní stan zvyšuje výšku vozidla. Dávejte pozor na nízké vjezdy, nízké mosty, nízko visící větve a jiné překážky.
- Při použití automatické myčky sejměte střešní stan a střešní nosič.



### POZNÁMKA

- Při jízdě se střešním stanem na střeše vozidla může docházet k hluku způsobenému větrem.

## Bezpečnost při provozu elektrického čerpadla Gale 12 V



**VÝSTRAHA! Nedodržení těchto varování by mohlo mít za následek smrt nebo vážné zranění.**

### Nebezpečí usmrcení elektrickým proudem

- Nepoužívejte elektrické čerpadlo, pokud je viditelně poškozené.
- Pokud je napájecí kabel tohoto elektrického čerpadla poškozen, musí být vyměněn výrobcem, zástupcem servisu nebo podobně kvalifikovanou osobou, aby se předešlo bezpečnostním rizikům.
- Toto elektrické čerpadlo smí opravovat pouze kvalifikovaný personál. Nesprávné opravy mohou způsobit značné nebezpečí.
- Elektrické vzduchové čerpadlo nepoužívejte ve vlhkém prostředí ani jej neponožujte do žádné kapaliny. Uchovávejte na suchém místě.



**UPOZORNĚNÍ! Nedodržení těchto upozornění by mohlo mít za následek lehké nebo střední zranění.**

### Nebezpečí usmrcení elektrickým proudem

- Před spuštěním elektrického vzduchového čerpadla se ujistěte, že napájecí kabel a zástrčka jsou suché a zástrčka je prostá rzi nebo cizích těles.
- Elektrické vzduchové čerpadlo odpojte od napájení.
  - Před každým čištěním a údržbou
  - Po každém použití

### Riziko zranění

- Tento přístroj není určen k používání osobami (včetně dětí) s omezenými fyzickými, sensorickými nebo duševními schopnostmi, nebo osobami s nedostatkem zkušeností a vědomostí, pokud není zajištěn přiměřený dozor nebo návod k použití přístroje osobou, která je odpovědná za bezpečnost těchto osob.

- Během provozu zajistěte, aby děti a domácí zvířata byly mimo dosah elektrického čerpadla.
- Nesměřujte proud vzduchu na obličej nebo na tělo.
- Dodržujte doporučený tlak vzduchu.
- Čištění a běžnou údržbu nesmějí provádět děti bez dozoru.



### POZOR! Nebezpečí poškození

- Zkontrolujte, zda údaj o napětí na typovém štítku odpovídá údajům pro zdroje napájení.
- Elektrické čerpadlo připojujte ke stejnosměrnému napájení ve vozidle pouze pomocí stejnosměrného kabelu.
- Přístroj neinstalujte v blízkosti otevřeného ohně nebo jiných tepelných zdrojů (topení, přímé sluneční záření, plynová kamna apod.).
- Nenechávejte přístroj pracovat bez dozoru.
- Nikdy nevytahujte zástrčku ze zásuvky tahem za kabel.

## Obsah dodávky

Součást	Množství
Střešní stan	1
Teleskopický žebřík	1
Kryt z PVC	1
Taška na nářadí	1
Držák ve tvaru U	4
Šroub M8 x 50	8
Šroub M8 x 16	4
Podložka 1 mm M8	8
Vyšroubovaná podložka M8	12
Podložka 1,5 mm M8	4
Křídlová matice M8	4
Hliníkový profilový plech	12
Plastová matice kola M8	8
Plastová koncovka	4
Elektrické čerpadlo Gale 12 V	1
Vzduchová hadice	1
Adaptér trysky	6
Kapsa na úložnou tašku	2
Úložná síť	1
Prodlužovací hadice (1,4 m)	1

## Příslušenství

Dostupné jako příslušenství (není součástí dodávky):

Součást	Č. výr.
Nízká markýza „TRT 140 AIR Awning Low“	9120002119
Vysoká markýza „TRT 140 AIR Awning Tall“	9120002120
Ruční pumpa	9120000439

## Použití v souladu s účelem

Tento střešní stan je vhodný pro:

- Montáž na vhodný střešní nosič, instalovaný na střeše vhodného vozidla.
- Jasně až mírně oblačné počasí,
- Turistiku.

Tento střešní stan **není** vhodný pro:

- Používání osobami se sníženými fyzickými, smyslovými nebo duševními schopnostmi.
- Velmi silný vítr nebo sněžení,
- Sezónní kempování nebo komerční použití.

Žebřík je určen k připevnění k tomuto střešnímu stanu. Žebřík lze používat pouze ve spojení s tímto střešním stanem a **nesmí** se využívat samostatně.

Žebřík **není** určen k profesionálnímu využití.

Tento výrobek je vhodný pouze k určenému účelu a použití v souladu s tímto návodem.

Tento návod poskytuje informace, které jsou nezbytné pro řádnou instalaci a/nebo provoz výrobku. Nedostatečná instalace a/nebo nesprávný provoz či údržba povedou k neuspokojivému výkonu a možné závadě.

Výrobce nepřijímá žádnou odpovědnost za jakékoli zranění nebo poškození výrobku vyplývající z následujícího:

- Nesprávné sestavení nebo připojení včetně nadměrného napětí
- Nesprávná údržba nebo použití jiných náhradních dílů než původních dílů dodaných výrobcem
- Změna výrobku bez výslovného souhlasu výrobce
- Použití k jiným účelům, než jsou popsány v tomto návodu

Společnost Dometic si vyhrazuje právo změnit vzhled a specifikace výrobku.

## Technický popis

Střešní stan je vybaven nafukovacími tyčemi AIR, které lze naplnit pomocí jediného ventilu.

Žebřík připevněný ke střešnímu stanu lze přizpůsobit výšce vozidla.

Součástí střešního stanu je pěnová matrace s vysokou hustotou.

Pro přepravu na střeše vozidla lze střešní stan složit a zakrýt dodaným krytem stanu.

Střešní nosič, na který má být střešní stan instalován, musí splňovat následující požadavky:

- Střešní nosič musí být unést alespoň 75 kg/165 lbs, aby umožnil jízdu s nainstalovaným střešním stanem.
- Šířka střešního nosiče musí být nejméně 68 cm/27 in.
- Dvě kolejničky střešního nosiče musí být od sebe vzdáleny od 70 cm/28 in do 125 cm/50 in.

## Používání střešního stanu



### VÝSTRAHA! Riziko zranění

- Před výstupem po žebříku se ujistěte, že je střešní stan pevně připevněn k střešnímu nosiči.
- Před výstupem na žebřík se ujistěte, že jsou všechny schůdky žebříku zajištěny.
- Na žebřík vždy lezte opatrně.
- Před spaním zavřete vstupní dveře střešního stanu, abyste zabránili vypadnutí ze střešního stanu během spánku.
- Pokud střešní stan používají dvě osoby, ujistěte se, že nesedí současně v zadní nebo přední části nebo na jedné straně stanu. Stan může spadnout, pokud se hmotnost dvou osob soustředí na jedné straně stanu (obr. 33, strana 11).
- Před jízdou s namontovaným střešním stanem se vždy ujistěte, že je kryt správně přivázán (obr. 44, strana 13).



### UPOZORNĚNÍ! Riziko zranění

Zip na ochranném pouzdru nikdy neotevírejte při nafukování nafukovací tyče. To bude mít za následek prasknutí nafukovací tyče.



### POZOR! Hmotná škoda

- Při stavění nebo skládání střešního stanu nechte boční okno střešního stanu otevřené.
- Zip neotevírejte ani nezavírejte nadměrnou silou.



### POZNÁMKA

Při používání stanu používejte integrované úložné prostory, aby vám při skládání stanu nic nespadlo nebo abyste ve stanu něco nezapomněli (obr. 31, strana 10).

## Před prvním použitím

Před prvním použitím se s výrobkem obeznamte tak, že provedete jeho první zkušební stavění. Zkontrolujte, zda je dodávka kompletní.

## Vystavení výrobku povětrnostním vlivům před prvním použitím

Výrobek je vyroben z materiálů, které vyžadují před použitím přípravu, aby se maximalizovala jejich odolnost vůči povětrnostním vlivům.

1. Výrobek plně postavte venku v době před očekávaným deštěm nebo na místě, kde je možné výrobek zvenku důkladně namočit hadicí.

Tento proces se nazývá weathering. Po procesu weatheringu se tkanina napne, což umožní bavlně v místě šitého švu nabobtnat a vyplní otvory vytvořené šicí jehlou během výrobního procesu.

2. Před zabalením nechte výrobek důkladně vyschnout.

Dodržením tohoto postupu před prvním použitím zajistíte, že se odolnost výrobku proti povětrnostním vlivům bude s dalšími namočeními zlepšovat.

## Montáž střešního stanu



### UPOZORNĚNÍ! Riziko zranění

- Střešní stan zvedejte na vozidlo pouze společně s další osobou.
- Při zvedání střešního stanu ve dvou na střechu vozidla se ujistěte, že se v blízkosti vozidla nenachází žádné další osoby, zejména děti.





### POZNÁMKA

Strana střešního stanu, k níž se připevní žebřík, je označena. Zajistěte, aby byl střešní stan postaven tak, aby vysunutý žebřík neblokoval dveře řidiče vozidla (obr. 4, strana 3).

- ▶ Při montáži střešního stanu postupujte podle obrázku (obr. 2, strana 3 – obr. 15, strana 6).

### Stavění střešního stanu



#### UPOZORNĚNÍ! Riziko zranění a hmotné škody

- Nepoužívejte žádné kompresory určené k huštění pneumatik automobilů.
- Vzduchové tyče nafukujte pouze do maximálního tlaku 9 psi / 0,62 barů.
- Při instalování nebo nastavování žebříku nevkládejte prsty do oblasti příček.

- ▶ Při sestavování střešního stanu postupujte podle obrázku (obr. 16, strana 6 – obr. 36, strana 11).

### Skládání střešního stanu



#### UPOZORNĚNÍ! Riziko stlačení

Při zasouvání žebříku do sebe nevkládejte prsty do oblasti příček.



### POZNÁMKA

Modré posuvníky na spodním schůdku žebříku odemknou všechny segmenty najednou, aby bylo možné žebřík zasunout do sebe (obr. 41, strana 13).

- ▶ Při skládání střešního stanu postupujte podle obrázku (obr. 37, strana 12 – obr. 44, strana 13).

## Používání elektrického čerpadla Gale 12 V

Elektrické čerpadlo Gale 12 V je vybaveno systémem indukce tlaku a automaticky se vypne, jakmile je dosaženo nastaveného tlaku. Tlakový indukční systém pracuje s chybou ± 0,5 psi.



#### POZOR! Riziko přehřátí

- Dbejte na dostatečnou ventilaci elektrického čerpadla během provozu.
- Elektrické čerpadlo neprovozujte nepřetržitě déle než 15 minut, protože by mohlo dojít k přehřátí motoru. Po 15 minutách nepřetržitého používání nechte elektrické čerpadlo 30 minut vychladnout.



### POZNÁMKA

- Pokud po dobu 30 sekund nestisknete žádné tlačítko, přejde LCD displej do pohotovostního režimu. Stisknutím libovolného tlačítka jej znovu aktivujete.
- Zpočátku bude chvíli trvat, než se hodnota tlaku na LCD displeji zvýší. To je normální, protože k naplnění rámu AIR je zpočátku zapotřebí velké množství vzduchu, než se projeví výrazná změna tlaku.

## Používání žebříku



#### UPOZORNĚNÍ! Riziko zranění

Před použitím žebříku se ujistěte, že jsou zajištěny uzamykací mechanismy všech vysunutých segmentů.



#### POZOR! Nebezpečí poškození

Dbejte na to, aby nedošlo k překročení nejvyššího celkového zatížení žebříku. Maximální celkové zatížení je 130 kg.

## Postavení žebříku



#### UPOZORNĚNÍ! Riziko zranění

Dodržujte doporučený úhel opření 65°–75° (obr. 22, strana 8).

Posuvníky uzamykacích mechanismů lze přesouvat do dvou poloh pro uzamčení nebo odemčení segmentů (obr. 21, strana 8):

- ▶ Chcete-li segment uzamknout, přesuňte posuvníky na obou stranách žebříku do polohy (obr. 21 A, strana 8).
- ▶ Pro odemknutí segmentu přesuňte posuvníky na obou stranách žebříku do polohy (obr. 21 A, strana 8).

## Skladování

### Uložení střešního stanu a žebříku



#### UPOZORNĚNÍ! Riziko zranění

- Žebřík může při uložení zůstat namontovaný na střešním stanu. Ujistěte se, že je žebřík zcela zasunutý do sebe a že jsou zajištěny uzamykací mechanismy všech segmentů žebříku.
- Při demontáži žebříku ze střešního stanu za účelem uskladnění zajistěte, aby byl žebřík uložen v takové poloze, ve které zůstane rovný (např. položený na rovném povrchu).



#### POZOR! Nebezpečí poškození

Posuvníky a koncovky patek žebříku jsou vyrobeny z plastu. Žebřík skladujte na místě chráněném před UV zářením.

1. Střešní stan demontujte ze střešního nosiče.
2. V případě potřeby střešní stan i žebřík očistěte.
3. Před zabalením se ujistěte, že je střešní stan i žebřík zcela suchý.
4. Skladujte na dobře větraném a suchém místě.

### Skladování elektrického čerpadla Gale 12 V

1. Elektrické čerpadlo Gale 12 V podle potřeby očistěte.
2. Zástrčku vložte do vyhrazeného otvoru.
3. Před zabalením se ujistěte, že nedošlo k zachycení nebo zalomení přívodního kabelu a vzduchové hadice.
4. Skladujte na dobře větraném a suchém místě.

## Čištění a péče



#### VÝSTRAHA! Riziko zranění

Střešní stan čistěte a udržujte pouze na zemi. Nikdy nestoupejte na vozidlo za účelem čištění střešního stanu, když je namontován na střeše.



#### POZOR! Nebezpečí poškození

- K čištění nepoužívejte žádné ostré nebo tvrdé předměty ani čisticí prostředky.
- K čištění nepoužívejte materiály na bázi alkoholu, chemikálie, mýdlo a mycí prostředky.
- Co nejdříve odstraňte ptačí trus a stromovou pryskyřici, aby nedošlo k trvalému poškození materiálu.
- Do nafukovacího otvoru elektrického čerpadla Gale 12 V nevkládejte žádné předměty, protože by mohly poškodit vnitřní mechanismus čerpadla.
- Opravy žebříku smí provádět pouze odborně způsobilá osoba.



#### POZNÁMKA

- Střešní stan a žebřík kvůli čištění zcela postavte.
- Pro čištění si vyberte slunečný den, abyste zajistili důkladné vyschnutí materiálu.

- V případě potřeby střešní stan a žebřík očistěte čistou vodou a měkkým kartáčem.
- Před každou cestou na střešní stan naneste impregnaci proti vodě a UV záření.
- Čerpadlo Gale občas očistěte vlhkou utěrkou.

### Kontrola žebříku



#### UPOZORNĚNÍ! Riziko zranění

Žebřík nepoužívejte, pokud zcela nesplní požadavky při kterékoli z kontrol v následujícím seznamu.

Po dodání a před každým použitím proveďte tyto kontroly:

- Zkontrolujte, zda žebřík nebo jeho součásti nejsou ohnuté, promáčknuté, nadměrně opotřebované, zkorodované nebo jinak narušené.
- Zkontrolujte, zda nechybí nebo nejsou uvolněné upevňovací prvky, posuvníky a koncovky patek žebříku.
- Zkontrolujte, zda posuvníky správně zapadají do příček.
- Zkontrolujte, zda je celý žebřík zbaven nečistot (např. bláta nebo sněhu).

### Odstraňování poruch a závad



#### POZNÁMKA

- Při prvním vystavení vodě může být ve švech určitá vlhkost. Z důvodu této vlhkosti budou vlákna bobtnat a vyplní otvory, které byly vytvořeny při šití.
- Plně vybavená sada náhradních dílů by měla obsahovat:
  - Vodoodpudivý sprej
  - Záplatovou pásku a opravný roztok
  - Silikonový sprej na zipy

Problém	Náprava
Střešní stan se nafukuje jen s obtížemi	<ul style="list-style-type: none"> <li>➤ Zkontrolujte, zda je ventil zcela zašroubován do nafukovací tyče.</li> <li>➤ Zkontrolujte, zda je nafukovací trubka u ventilu zkroucená. To může být signalizováno hlukem. Vyrovnajte nafukovací trubku.</li> <li>➤ Zkontrolujte, zda elektrické čerpadlo funguje.</li> </ul>
Část střešního stanu se nevyfoukne	<ul style="list-style-type: none"> <li>➤ Zkontrolujte, zda jsou otevřené všechny uzavírací ventily, které spojují nafukovací tyče.</li> </ul>
Nafukovací tyče jsou zalomené	<ul style="list-style-type: none"> <li>➤ Přidejte více vzduchu (9 psi/0,62 bar).</li> </ul>
Únik vzduchu	<ul style="list-style-type: none"> <li>➤ Zkontrolujte, zda je ventil zcela zašroubován do nafukovací tyče a těsnicí kroužek je nasazen.</li> <li>➤ Zkontrolujte, zda je krytka ventilu pevně utažená.</li> <li>➤ Zkontrolujte případné propíchnutí, viz kap. „Oprava díry v nafukovací tyči“ na straně 95.</li> </ul>
Únik vody	<ul style="list-style-type: none"> <li>➤ Zkontrolujte těsnost švů, poškození pásek a vlhká místa.</li> <li>➤ Pokud nelze žádné úniky najít, viz kap. „Kondenzát“ na straně 94.</li> <li>➤ Pokud zjistíte nějaké úniky, naneste těsnicí hmotu.</li> </ul>
Trhlina v plachtě	<ul style="list-style-type: none"> <li>➤ K utěsnění plachty použijte záplatovou pásku.</li> <li>➤ Opravy světe autorizovanému odborníkovi.</li> </ul>

### Kondenzát

Všechny stany jsou vystaveny vnitřnímu kondenzátu, pokud platí jedna nebo více následujících podmínek:

- Vysoká vlhkost vzduchu
- Pokles teploty

Silný kondenzát může stékat po vnitřní straně střechy a odkapávat z pásků, pásek a jiných vnitřních prvků a být zaměněn za únik.

- Zvyšte větrání otevřením dveří a/nebo oken.

### Oprava díry v nafukovací tyči

Pokud z nafukovací tyče uniká vzduch, postupujte takto:

1. Odepněte vnější pouzdro, které nafukovací tyč přidržuje.
  2. Zavřete uzavírací ventily, jsou-li namontovány.
  3. Sejměte nafukovací tyč.
  4. Vypusťte nafukovací tyč.
  5. Odepněte ochranné pouzdro, abyste měli přístup k nafukovací trubce.
  6. Do nafukovací trubky foukněte trochu vzduchu.
  7. Ponořte trubku do vody.
  8. Vyhledejte díru.
  9. Díru uzavřete pomocí záplatové pásky a opravného roztoku.
  10. Nafukovací trubku zapněte na zip zpět do ochranného pouzdra.
  11. Nafukovací tyč zapněte na zip zpět do vnějšího pouzdra.
- Řiďte se také informacemi uvedenými na obr. 45, strana 14 – obr. 46, strana 14.

### Likvidace



- Obalový materiál likvidujte v odpadu určeném k recyklaci.
- Informace o likvidaci výrobku v souladu s platnými předpisy pro likvidaci vám sdělí místní recyklační středisko nebo specializovaný prodejce.
- Výrobek lze bezplatně zlikvidovat.

### Záruka

Na výrobek je poskytována záruka v souladu s platnými zákony. Pokud je výrobek vadný, obraťte se na svého prodejce nebo na pobočku výrobce ve vaší zemi (viz [dometic.com/dealer](http://dometic.com/dealer)).

K vyřízení opravy a záruky nezapomeňte spolu s výrobkem odeslat následující dokumenty:

- Kopii účtenky s datem zakoupení,
- Uvedení důvodu reklamace nebo popis vady.

Upozornujeme, že oprava svépomocí nebo neodborná oprava může ohrozit bezpečnost a vést ke ztrátě záruky.

Záruka se vztahuje na výrobní vady, materiály a díly. Záruka se nevztahuje na vyblednutí krytu a opotřeбенí způsobené UV zářením, nesprávným použitím, náhodným poškozením, poškozením bouří nebo trvalým, polo-trvalým nebo komerčním použitím. Nevztahuje se na žádné následné škody. Pro reklamaci se prosím obraťte na svého prodejce. Tím nejsou dotčena vaše zákonná práva.

## Technické údaje

	<b>TRT 140 AIR</b>
Hloubka pěnové matrace	3,2 cm/1,3 in
Hloubka protikondenzační vrstvy	0,5 cm/0,2 in
Využitelný vnitřní prostor (Š x V x H)	55 x 43 x 83 in 140 x 110 x 210 cm
Rozměry vnějšího stanu (Š x V x H)	57 x 47 x 86 in 145 x 120 x 219 cm
Rozměry balení stanu (Š x V x H)	59 x 13 x 32 in 149 x 33 x 82 cm
Rozměry balení žebříku a příslušenství (Š x V x H)	31 x 5 x 20 in 79 x 12 x 49,5 cm
Hmotnost (včetně žebříku)	57,65 kg/127,1 lbs

	<b>Čerpadlo Gale 12 V</b>
Napětí	12 V===
Rychlost plnění	100 l/26 gal/min ± 10 %
Provozní doba	maximálně 15 minut
Hlukové emise	32 dB
Rozměry (Š x V x H)	280 x 90 x 200 mm (11 x 3,5 x 7,9 in)
Hmotnost	1,79 kg/3,9 lb

A termék mindenkor szakszerű telepítése, használata és karbantartása érdekében kérjük figyelmesen olvassa el az ebben a termék kézikönyvben található utasításokat, irányelveket és figyelmeztetéseket, valamint mindig tartsa be ezeket. Ezt az útmutatót a termék közelében KELL tartani.

A termék használatba vételével Ön kijelenti hogy figyelmesen elolvasta az összes utasítást, irányelvet és figyelmeztetést, valamint megértette és elfogadja az itt leírt szerződési feltételeket. Ön elfogadja, hogy kizárólag a rendeltetésének megfelelő célra és a jelen termék kézikönyvben leírt útmutatásoknak, irányelveknek és figyelmeztetéseknek, valamint a hatályos törvényeknek és szabályozásoknak megfelelően használja ezt a terméket. Az itt leírt utasítások és figyelmeztetések elolvasásának és betartásának elmulasztása saját és mások sérüléséhez, a termék vagy a közelben található más anyagi javak károsodásához vezethet. Ez a termék kézikönyv és a benne található utasítások, irányelvek és figyelmeztetések, valamint a kapcsolódó dokumentációk módosulhatnak és frissülhetnek. Naprakész termékinformációk érdekében kérjük látogasson el a következő honlapra: [documents.dometic.com](http://documents.dometic.com), [dometic.com](http://dometic.com).

## Szimbólumok magyarázata



### VESZÉLY!

**Biztonsági útmutatás:** Veszélyes helyzetet jelöl, amely súlyos sérülést vagy halált okoz, ha nem kerülik el.



### FIGYELMEZTETÉS!

**Biztonsági útmutatás:** Veszélyes helyzetet jelöl, amely súlyos sérülést vagy halált okozhat, ha nem kerülik el.



### VIGYÁZAT!

**Biztonsági útmutatás:** Veszélyes helyzetet jelöl, amely könnyű vagy mérsékelt sérülést okozhat, ha nem kerülik el.



### FIGYELEM!

Olyan helyzetet jelöl, amely vagyoni kárt okozhat, ha nem kerülik el.



### MEGJEGYZÉS

A termék kezelésére vonatkozó kiegészítő információk.

## Általános biztonsági útmutatások



**VESZÉLY! Ennek az útmutatásnak a figyelmen kívül hagyása súlyos vagy halálos sérüléshez vezet.**

### Szénmonoxid mérgezés veszélye

- A sátor közelében tilos üzemanyagot égető készülékeket, például grillezőket, vagy gázmelegítőket alkalmazni. Az égés szénmonoxidot termel, amely mivel nincs légmozgás, felhalmozódik a sátorban.



**FIGYELMEZTETÉS! Ezeknek a figyelmeztetéseknek a figyelmen kívül hagyása súlyos, vagy halálos sérüléshez vezethet.**

### Tűzveszély

- Ismerje meg a helyszíni tűzvédelmi intézkedéseket.
- A sátorban tilos főzni, vagy nyílt lángot használni.
- Tartson távol minden lángot és hőforrást a sátoranyagtól.

### Fulladásveszély

- A fulladás elkerülése érdekében biztosítsa, hogy a szellőzőnyílások mindig nyitva legyenek.

### Sérülés kockázata

- Ez a készülék nem alkalmas csökkent fizikai, érzékszervi vagy szellemi képességekkel rendelkező személyek (ideértve a gyermekeket is) általi használatra.
- Ne engedje, hogy a gyerekek a sátor körül vagy a sátorban játsszanak, és gondoskodjon arról, hogy a létra használatakor óvatosak legyenek.
- A tisztítást és a felhasználói karbantartást gyermekek felügyelete nélkül nem végezhetik.

- Mielőtt felállítja és használja a tetősátort, mindig ellenőrizze az időjárás-előrejelzést.
  - Ha vihart vagy zivartart jeleznek, ne használja a tetősátort.
  - Ha zivatarba kerül, azonnal hagyja el a tetősátort, és helyezze magát biztonságba a járművében. A villámcsapás elkerülése érdekében maradjon a járművében, amíg a zivatar el nem múlik.
  - Ha nagyon szeles az idő, ne állítsa fel, ne használja és ne hajtsa le a tetősátort vagy a létrát.
  - Intenzív esőben ne hajtja le a tetősátort.
- Ne használja a tetősátort, ha annak bármelyik része vagy bármelyik komponense láthatóan megsérült. Forduljon a gyártóhoz segítségért.
- Csak olyan bevizsgált (pl. GS teszten megfelelt) tetőcsomagtartókat használjon, amelyek engedélyezettek a járművéhez történő használatra.
- A tetősátor felszerelése előtt győződjön meg arról, hogy a járműve és a tetőcsomagtartója elegendő teherbírást biztosít a tetősátor és a tetősátorban elhelyezni kívánt személyek és tárgyak számára.



### MEGJEGYZÉS

- Mindig tartsa magánál a jármű és a tetőcsomagtartó kézikönyvét, és kövesse az abban található útmutatásokat.

## Biztonság a létra használatakor



**VIGYÁZAT! Ezeknek a felhívásoknak a figyelmen kívül hagyása könnyű vagy mérsékelt sérüléshez vezethet. Sérülés kockázata**

- Szállítás után és minden használat előtt ellenőrizze, hogy a létra nem sérült-e meg és biztonságosan használható-e. Láthatóan sérült létrát ne használjon.
- A létrára történő fel- és leszálláskor, valamint általános használatkor fennáll a leesés veszélye. A létrát úgy kell használni, hogy a leesés veszélye a lehető legkisebb legyen.
  - Biztonságosan fogja meg a létrát.
  - Ne hajoljon ki oldalra.
  - Csak a létrával szembefordulva mászson fel és le.
- Egynél több személy egyszerre ne mászson fel a létrára.
- Ne állítsa fel a létrát egyenetlen, instabil vagy szennyezett talajon.
- Ne hordozzon nehéz vagy nehezen kezelhető felszerelést a létra használata közben.
- Ne viseljen nem megfelelő lábbelit a létrára történő felmászáskor.
- Ne használja a létrát, ha az szennyezett, pl. sárral vagy hóval.
- Ne használja a létrát fizikai korlátok esetén. Bizonyos egészségügyi állapotok, gyógyszerhasználat, az alkohol- vagy kábítószer-használat biztonsági kockázatot jelenthet a létra alkalmazása során.
- A létra szállítása, minden egyes használata és tárolása előtt győződjön meg arról, hogy minden kihúzott szegmens reteszelő mechanizmusa reteszelve van.
- A létra felállításakor és használatakor ügyeljen az ütközés veszélyére, pl. gyalogosokkal, járművekkel vagy ajtókkal való ütközés. Lehetőség szerint zárja be az ajtókat (kivéve a vészkijáratokat) és az ablakokat a használati területen.
- Semmilyen módon nem módosítsa a létrát és egyik komponensét sem.



### FIGYELEM! Károsodás veszélye

- Tartsa be a létra megadott maximális teljes terhelését.

## Biztonság a tetősátor a jármű tetején történő szállítá- sakor



**FIGYELMEZTETÉS!** Ezeknek a figyelmeztetéseknek a figyelmen kívül hagyása súlyos, vagy halálos sérüléshez vezethet.

### Sérülés kockázata

- Csak akkor közlekedjen a jármű tetején elhelyezett tetősátorral, ha a tetősátor le van hajtva és a sátorborítással megfelelően le van takarva.
- Ha a tetősátor a jármű tetején van, ne haladjon 110 km/óránál (88 mph) gyorsabban.
- Minden utazás kezdetén és az utazás során rendszeres időközönként ellenőrizze, hogy a tetősátor stabilan rögzítve van-e a tetőcsomagtartón, és hogy a sátorborítás biztonságosan rögzítve van-e. A helytelenül felszerelt tetőrács vagy tetősátor az utazás közben leeshet, és más közlekedők megsérülhetnek.
- A létra leesésének és más közlekedők megsebesítésének elkerülése érdekében ügyeljen arra, hogy a létrát az összehajtogatott tetősátor tetején és a sátorborítás alatt megfelelően tárolja.
- Igazítsa vezetési magatartását a járműmagasság változásához (pl. oldalszél-érzékenység, kanyarodási és fékezési viselkedés).



### FIGYELEM! Károsodás veszélye

- A tetősátor növeli a jármű magasságát. Ügyeljen az alacsony bejáratokra, alacsony hidakra, alacsony ágakra és egyéb akadályokra.
- Automatika autómósás előtt távolítsa el a tetősátrat és a tetőcsomagtartót.



### MEGJEGYZÉS

- Ha a tetősátorral a jármű tetején közlekedik növekedhet a szélzaj.

## Biztonság a Gale 12V elektromos szivattyú üzemeltetése során



**FIGYELMEZTETÉS!** Ezeknek a figyelmeztetéseknek a figyelmen kívül hagyása súlyos, vagy halálos sérüléshez vezethet.

### Áramütés miatti veszély

- Ne használja az elektromos szivattyút ha az szemmel láthatóan megsérült.
- Ha az elektromos szivattyú csatlakozókábele megsérült, akkor a veszélyek elkerülése érdekében a gyártóval, egy szervizzel vagy egy hasonlóan képzett szakemberrel kell kicseréltetni ezt.
- Javításokat csak szakemberek végezhetnek az elektromos szivattyún. A helytelen javítások jelentős veszélyeket okozhatnak.
- Ne használja az elektromos levegőszivattyút nedves körülmények között, és ne merítse bele semmilyen folyadékba. Száraz helyen tárolja.



**VIGYÁZAT!** Ezeknek a felhívásoknak a figyelmen kívül hagyása könnyű vagy mérsékelt sérüléshez vezethet.

### Áramütés miatti veszély

- Az elektromos levegőszivattyú beindítása előtt győződjön meg arról, hogy a tápkábel és a dugasz száraz, nem rozsdás és nincsenek rajta idegen anyagok.
- Válassza le az elektromos levegőszivattyút az áramellátásról
  - Minden tisztítás és ápolás előtt
  - Minden használat után

## Sérülés kockázata

- A készüléket korlátozott testi, szellemi, illetve érzékelési képességgel rendelkező (gyermeket is beleértve), illetve a készülékek használatához szükséges gyakorlat vagy tudás híján lévő személyek nem használják, kivéve, ha használata közben egy felelős személy felügyeli a biztonságukat, illetőleg az ő útmutatása alapján használják a készüléket.
- Üzem közben tartsa távol az elektromos szivattyút a gyermekeket és a háziállatokat.
- Ne irányítsa a légáramot az arcra vagy a testre.
- Tartsa be az ajánlott levegőnyomást.
- A tisztítást és a felhasználói karbantartást gyermekek felügyelet nélkül nem végezhetik.



### FIGYELEM! Károsodás veszélye

- Ellenőrizze, hogy az adattáblán feltüntetett feszültségadatok megegyeznek-e a rendelkezésre álló energiaellátás adataival.
- Az elektromos szivattyút kizárólag a mellékelt egyenáramú kábellel csatlakoztassa a jármű egyenáramú aljzatához.
- Ne helyezze a készüléket nyílt láng vagy más hőforrás (fűtés, erős napsugárzás, gáztűzhely stb.) közelébe.
- Ne hagyja a készüléket felügyelet nélkül működni.
- Soha ne húzza ki a csatlakozódugót a kábelnél fogva az aljzataból.

## A csomag tartalma

Szerkezeti elem	Mennyiség
Tetősátor	1
Teleszkópos létra	1
PVC borítás	1
Szerszámzsák	1
U-alakú konzol	4
M8 x 50 csap	8
M8 x 16 csavar	4
M8 1 mm alátét	8
M8 csavar nélküli alátét	12
M8 1,5 mm alátét	4
M8 szárnyas anya	4
Alumínium profillemez	12
M8 műanyag kerékanya	8
Műanyag végkupak	4
Gale 12V elektromos szivattyú	1
Levegőtömlő	1
Csatlakozó adapter	6
Tárolótáska zseb	2
Tárolóháló	1
Hosszabbító tömlő (1,4 m)	1

## Tartozékok

Tartozékként kapható (nincs mellékelve):

Szerkezeti elem	Cikksz.
TRT 140 AIR Awning Low	9120002119
TRT 140 AIR Awning Tall	9120002120
Ruční pumpa	9120000439

## Rendeltetészerű használat

Ez a tetősátor a következőkhöz alkalmas:

- Egy a célra alkalmas jármű megfelelő tetőcsomagtartójára történő felszerelés
- Nyugodt és mérsékleten nyugodt időjárás
- Túrázás

Ez a tetősátor a következőkhöz **nem** alkalmas:

- Korlátozott fizikai, érzékelési, vagy mentális képességekkel rendelkező személy általi használat
- Igen erős szelek vagy hóesés
- Egész évszakos felállítás vagy professzionális használat

A létra ehhez a tetősátorhoz történő rögzítésre szolgál. A létra csak ezzel a tetősátorral együtt használható, önálló használatra **nem** alkalmas.

A létra professzionális használatra **nem** alkalmas.

Ez a termék az itt leírt utasításoknak megfelelő rendeltetészerű használatra alkalmas.

Ez a kézikönyv olyan információkat nyújt, amelyek a termék szakszerű telepítéséhez és/vagy üzemeltetéséhez szükségesek. A hibás telepítés és/vagy a szakszerűtlen üzemeltetés vagy karbantartás elégtelen teljesítményhez és potenciálisan meghibásodáshoz vezethet.

A gyártó nem vállal felelősséget a termék olyan károsodásáért, vagy sérülésekért, amelyek a következőkre vezethetők vissza:

- Hibás összeszerelés vagy csatlakoztatás, ideértve a túlfeszültséget is
- Helytelen karbantartás, vagy a gyártó által szállított eredeti cserealkatrésztől eltérő cserealkatrészek használata
- A termék kifejezett gyártói engedély nélküli módosítása
- Az útmutatóban leírt céloktól eltérő felhasználás

A Dometic fenntartja a termék megjelenésének és specifikációjának módosítására vonatkozó jogát.

## Műszaki leírás

A tetősátor felfújható levegőrudakkal van felszerelve, amelyek egyetlen szeleppel tölthetők fel.

A tetősátorhoz csatlakoztatott létra beállítható a jármű magasságához.

A tetősátor tartalmaz egy nagysűrűségű habzivacs matracot.

A jármű tetején történő szállításhoz a tetősátor lehajtható és letakarható a mellékelt sátorborítással.

A tetősátor felszerelésére szolgáló tetőrácsnak a következő követelményeknek kell megfelelnie:

- A tetőrácsnak legalább 75 kg/165 lbs teherbírásúnak kell lennie ahhoz, hogy a tetőre felszerelt tetősátorral is lehessen közlekedni.
- A tetőrács szélességének legalább 68 cm-nek (27 in) kell lennie.
- A tetőrács két sínjének 70 cm/28 in és 125 cm/50 in közötti távolságra kell lennie egymástól.

## A tetősátor használata



### FIGYELMEZTETÉS! Sérülés kockázata

- Mielőtt felmászik a létrára, győződjön meg róla, hogy a tetősátor stabilan rögzítve van a tetőcsomagtartóhoz.
- Győződjön meg róla, hogy a létra minden egyes lépcsőfoka reteszelve van, mielőtt felmászik a létrára.
- Mindig óvatosan másszon fel a létrára.
- Alvás közben a tetősátorból történő kiesés megakadályozása érdekében mielőtt lefekszik aludni, zárja be a tetősátor bejárati ajtaját.
- Ha két személy használja a tetősátort, biztosítsa, hogy ne üljön egyszerre két személy a sátor hátsó vagy első részén, illetve egyik oldalán. Ha két személy súlya a sátor egyik oldalára nehezedik, akkor a sátor leeshet (33. ábra, 11. oldal).
- Mielőtt a felszerelt tetősátorral közlekedik, mindig győződjön meg arról, hogy megfelelően megtörtént a borítást lekötése (44. ábra, 13. oldal).



### VIGYÁZAT! Sérülés kockázata

Amíg egy levegőrúd fel van fújva, tilos kinyitni a védőtokon lévő cipzárt. Ez a levegőrúd felrepedéséhez vezet.



### FIGYELEM! Anyagi kár

- A tetősátor felállítása vagy összecukása közben hagyja nyitva a tetősátor oldalsó ablakát.
- Erővel tilos nyitni vagy zárni a cipzárakat.



### MEGJEGYZÉS

Annak érdekében hogy a sátor lehajtásakor semmi ne essen le, vagy ne maradjon a sátorban, használja a sátor beépített tárolási lehetőségeit (31. ábra, 10. oldal).

## Az első használat előtt

Mielőtt először használná a terméket, egy próbafelállítás végrehajtásával ismerkedjen meg a termékkel. Ellenőrizze a kiszállított csomag hiánytalan-ságát.

### Termékének időjárásállóvá tétele az első használat előtt

A termék olyan anyagokból készül, amelyek használat előtt előkészítést igényelnek, így maximalizálható az időjárásállóság.

1. Ha eső várható, teljesen állítsa fel a terméket a szabadban vagy slaggal alaposan nedvesítse be a termék külsejét.  
Ezt a műveletet időjárásállóvá tételnek nevezzük. Az időjárásállóvá tétel összehúzza az anyagot, és lehetővé teszi, hogy a varrocérnában lévő pamut megduzzadjon, és kitöltse a gyártási folyamat során a varrotól által készített lyukakat.
2. Elrakás előtt hagyja a terméket alaposan megszáradni.

Ha az első használat előtt végrehajtja ezt a műveletet, azzal biztosítja, hogy az ezt követő elázások javítani fogják a termék időjárásállóságát.

## A tetősátor felszerelése



### VIGYÁZAT! Sérülés kockázata

- A tetősátrat csak egy másik személlyel együtt emelje fel a járművére.
- Amikor Ön és segítőtje felemeli a tetősátrat a jármű tetejére, győződjön meg róla, hogy más személyek, különösen gyermekek nem tartózkodnak a jármű közelében.



### MEGJEGYZÉS

A tetősátornak azon az oldalán, ahová a létra fel lesz szerelve, egy jelölés található. Ügyeljen arra, hogy a tetősátrat úgy igazítsa be, hogy a kihúzott létra jármű vezetőajtót ne takarja el (4. ábra, 3. oldal).

- ▶ A tetősátor felszereléséhez az ábrán bemutatott módon járjon el (2. ábra, 3. oldal – 15. ábra, 6. oldal).

## A tetősátor felállítása



### VIGYÁZAT! Sérülésveszély és anyagi kár

- Ne alkalmazzon autókerekek felfújására tervezett kompresszor típusokat.
- A levegőrudakat csak a maximális 9psi/0,62bar nyomásra fújja fel.
- A létra felállítása vagy beállítása során ne tegye az ujjait a létrafokok területére.

- ▶ A tetősátor felállításához az ábrán bemutatott módon járjon el (16. ábra, 6. oldal – 36. ábra, 11. oldal).

## A tetősátor lehajtása



### VIGYÁZAT! Zúzódszély

A létra összetolása során ne tegye az ujjait a létrafokok területére.



### MEGJEGYZÉS

A létra alsó lépcsőfokán lévő kék csúszóelemek egyszerre oldják ki az összes szegmenst, így a létrát össze lehet tolni (41. ábra, 13. oldal).

- ▶ A tetősátor lehajtásához az ábrán bemutatott módon járjon (37. ábra, 12. oldal – 44. ábra, 13. oldal).

## A Gale 12 V elektromos szivattyú használata

A gale 12 V elektromos szivattyú nyomásindukciós rendszerrel van ellátva, és automatikusan kikapcsol, amint elérte az előre beállított nyomást. A nyomásindukciós rendszer  $\pm 0,5$  psi hibahatárral működik.



### FIGYELEM! Túlmelegedés kockázata

- Ügyeljen arra, hogy az elektromos szivattyú üzem közben megfelelő levegőellátást kapjon.
- Ne üzemeltesse folyamatosan az elektromos szivattyút 15 percnél hosszabb ideig, ellenkező esetben a motor túlmelegedhet. Az elektromos szivattyút 15 perc folyamatos használat után hagyja 30 percig hűlni.



### MEGJEGYZÉS

- Ha 30 másodpercig nem nyomja meg a gombokat, az LCD kijelző készenléti üzemmódba kapcsol. Az újraindításhoz nyomja meg bármelyik gombot.
- Először időbe telik, amíg az LCD kijelzőn megjelenő nyomásérték megnő. Ez normális, mivel kezdetben, mielőtt jelentős nyomásváltozás érzékelhető lenne, nagy mennyiségű levegőre van szükség a levegőkeret feltöltéséhez.

## A létra használata



### VIGYÁZAT! Sérülés kockázata

A létra használata előtt győződjön meg arról, hogy minden kihúzott szegmens reteszelt mechanizmusa reteszelt van.



### FIGYELEM! Károsodás veszélye

Ügyeljen arra, hogy a létra maximális teljes terhelését ne lépje túl. A maximális teljes terhelés 130 kg/ 287 lbs.

## A létra felállítása



### VIGYÁZAT! Sérülés kockázata

Tartsa be a  $65^\circ - 75^\circ$  (22. ábra, 8. oldal) ajánlott felállítási szöveget.

A szegmensek reteszeléséhez vagy kioldásához a reteszelt mechanizmusok csúszóelemei két pozícióba mozgathatók (21. ábra, 8. oldal):

- ▶ Mozgassa a létra mindkét oldalán lévő csúszóelemeket (a) a szegmens rögzítéséhez (21. ábra A, 8. oldal).
- ▶ Mozgassa a létra mindkét oldalán lévő csúszóelemeket (b) a szegmens kioldásához (21. ábra B, 8. oldal).

## Tárolás

### A tetősátor és a létra tárolása



### VIGYÁZAT! Sérülés kockázata

- A létra tárolás céljából a tetősátorra szerelve maradhat. Győződjön meg arról, hogy a létra teljesen össze van tolván, és a létra minden szegmensének reteszelt mechanizmusa reteszelt van.
- Amikor a létrát tárolás céljából leszereli a tetősátorról, ügyeljen arra, hogy a létrát egyenes helyzetben tárolja (pl. sík felületre helyezve).



### FIGYELEM! Károsodás veszélye

A csúszóelem és a létra lábainak végsapkái műanyagból készültek. A létrát olyan helyen tárolja, ahol védve van az UV-sugárzástól.

1. Szerelje le a tetősátrat a tetőcsomagtartóról.
2. Szükség esetén tisztítsa meg a tetősátrat és a létrát.
3. Elpakolás előtt biztosítsa, hogy a tetősátor és a létra teljesen száraz legyen.
4. Jól szellőző, száraz helyen tárolja.

### A gale 12V elektromos szivattyú tárolása

1. Szükség esetén tisztítsa meg a gale 12 V elektromos szivattyút.
2. Helyezze be a dugót az erre szolgáló nyílásba.
3. Elpakolás előtt győződjön meg arról, hogy a tápkábel és a levegőtöltő nem akadt-e be vagy nem tört-e meg.
4. Jól szellőző, száraz helyen tárolja.

## Tisztítás és karbantartás



### FIGYELMEZTETÉS! Sérülés kockázata

A tetősátort csak a földön tisztítsa és tartsa karban. A tetősátor tisztításához, soha ne mászon fel a járműre, amíg a tetősátor a tetőre van szerelve.



### FIGYELEM! Károsodás veszélye

- A tisztításhoz ne használjon éles vagy kemény tárgyakat, vagy tisztítószereket.
- A tisztításhoz ne használjon alkohol alapú anyagokat, vegyszereket, szappant és tisztítószereket.
- Távolítsa el a madárürüléket és a fák gyantáját, mivel ezek tartósan károsíthatják az anyagot.
- Ne próbáljon semmilyen tárgyat a gale 12 V elektromos szivattyú felfúvónyílásába helyezni, mivel ezek károsíthatják a belső szivattyúmechanikát.
- A létra javítását csak hozzáértő személy végezheti.



### MEGJEGYZÉS

- A tisztításhoz teljesen állítsa fel a tetősátort és a létrát.
- Az anyag teljes megszáradása érdekében a tisztítást egy napsütéses napon végezze.

- ▶ Szükség esetén tiszta vízzel és puha kefével tisztítsa meg a tetősátort és a létrát.
- ▶ Minden út előtt lássa el víz- és UV-ellenes impregnálással a tetősátort.
- ▶ Időnként tisztítsa meg a gale szivattyút nedves kendővel.

## A létra ellenőrzése



### VIGYÁZAT! Sérülés kockázata

Ne használja a létrát, ha az alábbi listában felsorolt ellenőrzések bármelyikét nem tudja teljes mértékben elvégezni.

Szállítás után és minden használat előtt végezze el a következő ellenőrzéseket:

- ▶ Ellenőrizze, hogy a létra vagy a létra alkatrészei nincsenek-e meghajolva, behorpadva, túlzottan elhasználódva, korrodálódva vagy elmállva.
- ▶ Ellenőrizze, hogy a létra lábainak rögzítései, a csúszóelemek és a végzáró kupakok nem hiányoznak vagy nem lazultak meg.
- ▶ Ellenőrizze, hogy a csúszóelemek megfelelően rögzülnek-e a lépcsőfokokon.
- ▶ Ellenőrizze, hogy a teljes létra mentes-e a szennyeződésektől (pl. sár vagy hó).

## Hibakeresés



### MEGJEGYZÉS

- A vízzel való első érintkezés során némi nedvesség jelenhet meg a varratoknál. A nedvesség hatására a szálak megduzzadnak és kitöltik a varrási művelet során keletkezett lyukakat.
- Egy teljesen felszerelt cserealkatrész készlet a következőket tartalmazza:
  - Impregnálószert
  - Javítószalag és javítási megoldás
  - Szilikonspray a cipzárakhoz

Probléma	Megoldás
A tetősátort csak nehezen lehet felfújni	<ul style="list-style-type: none"><li>▶ Ellenőrizze, hogy a szelep teljesen be van-e tekerve a levegőrudba.</li><li>▶ Ellenőrizze, hogy a felfújó cső meg van-e csavarodva a szelepnél. Ezt zaj is jelezheti. Egyenesítse ki a felfújó csövet.</li><li>▶ Ellenőrizze, hogy az elektromos szivattyú működik-e.</li></ul>
A tetősátor egy része nem ereszt le	<ul style="list-style-type: none"><li>▶ Ellenőrizze az levegőrudakat összekapcsoló összes szigetelő szelepet, hogy ezek nincsenek-e nyitva.</li></ul>
Meg vannak törve a levegőrudak	<ul style="list-style-type: none"><li>▶ Fújjon be több levegőt (9 psi/0,62 bar).</li></ul>
Levegőszivárgás	<ul style="list-style-type: none"><li>▶ Ellenőrizze, hogy a szelep teljesen be van-e tekerve a levegőrudba és hogy a helyén van-e a tömítőgyűrű.</li><li>▶ Ellenőrizze, hogy a szelep kupakja szorosan meg van-e húzva.</li><li>▶ Ellenőrizze a lyukadásokat, lásd: „A levegőrud lyukadásának javítása” feje., 100. oldal</li></ul>
Vízszivárgás	<ul style="list-style-type: none"><li>▶ Ellenőrizze a szivárgó varratokat, sérült illesztéseket és a nedves területeket.</li><li>▶ Ha nem talál szivárgást, lásd: „Páralecsapódás” feje., 100. oldal.</li><li>▶ Ha szivárgást talál, vigyen fel varrat tömítőanyagot.</li></ul>
Szakadás a szövetben	<ul style="list-style-type: none"><li>▶ A szövet lezárásához használja a javítószalagot.</li><li>▶ A javításokat hivatalos szakemberrel végeztesse el.</li></ul>

## Páralecsapódás

Ha a következő feltételek közül egy vagy több teljesül, akkor minden sátorban kialakul belső páralecsapódás:

- Magas a levegő páratartalma
- Lecsökken a hőmérséklet

Erős páralecsapódás esetén a nedvesség lefolyhat tető belső részén és csöpöghet a rögzítőkről, szalagokról és más belső szerelvényekről, és ezt hibásan szivárgásnak lehet vélni.

- ▶ Az ajtók és/vagy ablakok nyitásával növelje a szellőzést.

## A levegőrud lyukadásának javítása

Ha a levegőrúdból szivárog a levegő, akkor a következő módon járjon el:

1. Cipzárassa ki a levegőrudat tartó külső zsákot.
  2. Ha vannak ilyenek, akkor zárja le a szigetelő szelepeket.
  3. Vegye ki a levegőrudat.
  4. Engedje ki a levegőt a levegőrúdból.
  5. A felfújható cső szabadabb tételéhez cipzárassa ki a védőzsákot.
  6. Fújjon némi levegőt a felfújható csőbe.
  7. Nyomja víz alá a csövet.
  8. Keresse meg a lyukat.
  9. Javítószalag és javítóoldat használatával zárja le a lyukat.
  10. Cipzárassa vissza a felfújható csövet a védőzsákba.
  11. Cipzárassa vissza a levegőrudat a külső zsákba.
- ▶ Tekintse meg a **45.** ábra, 14. oldal – **46.** ábra, 14. oldal szakaszban található információkat is.



## Ártalmatlanítás



- ▶ A csomagolóanyagot lehetőleg a megfelelő újrahasznosítható hulladékokhoz tegye.
- ▶ A termékre vonatkozó ártalmatlanítási előírásokról tájékozódjon a legközelebbi újrahasznosító központban, vagy szakkereskedőjénél.
- ▶ A termék ingyenesen ártalmatlanítható.

## Szavatosság

A termékre a törvény szerinti szavatossági időszak érvényes. Amennyiben a termék meghibásodott, lépjen kapcsolatba a kiskereskedővel, vagy a gyártó helyi képviselőjével (lásd: [dometic.com/dealer](http://dometic.com/dealer)).

A javításhoz, illetve a garancia intézéséhez a következő dokumentumokat kell mellékelnie a termék beküldésekor:

- A számla vásárlási dátummal rendelkező másolatát
- A reklamáció okát vagy a hibát tartalmazó leírást

Vegye figyelembe, hogy az önkezü javítás vagy a nem szakszerű javítás biztonsági következményekkel járhat, és érvénytelenítheti a szavatosságot.

A szavatosság a gyártási hibákra, az anyag és alkatrészhibákra vonatkozik. A szavatosság nem vonatkozik a burkolat kifakulására, az UV-sugárzás miatti kopásra és elhasználódásra, a helytelen használatra, a véletlen károsításra, a vihar általi károokra, vagy az állandó és részleges kereskedelmi használatra. Nem vonatkozik következményes károokra. Igény érvényesítése érdekében forduljon kereskedőjéhez. Ez nem befolyásolja a törvény által biztosított jogait.

## Műszaki adatok

	<b>TRT140 AIR</b>
Habszivacs magassága	3,2 cm/1,3 in
Kondenzáció elleni réteg mélysége	0,5 cm/0,2 in
Hasznos belső tér (Szé x Ma x Mé)	55 x 43 x 83 in 140 x 110 x 210 cm
Sátor külső méretei (Szé x Ma x Mé)	57 x 47 x 86 in 145 x 120 x 219 cm
Sátor csomagolási méretei (Szé x Ma x Mé)	59 x 13 x 32 in 149 x 33 x 82 cm
A létra és a tartozékok csomagolási méretei (szé x ma x mé)	31 x 5 x 20 in 79 x 12 x 49,5 cm
Súly (létrával)	57,65 kg/127,1 lbs

	<b>Gale 12V szivattyú</b>
Feszültség	12 V=
Szállítási sebesség	100 l/26 gal/perc ± 10%
Üzemidő	maximum 15 perc
Zajkibocsátás	32 dB
Méreték (szé x ma x mé)	11 x 3,5 x 7,9 in 280 x 90 x 200 mm
Súly	1,79 kg/3,9 lb

يرجى قراءة هذه التعليمات، والإرشادات، والتحذيرات الواردة في دليل المنتج المشار إليه واتباعها بعناية للتأكد من تركيب المنتج، واستخدامه، وصيادته بشكل صحيح في جميع الأوقات. يجب أن تُحفظ هذه التعليمات مع هذا المنتج. باستخدام هذا المنتج، فيك تؤكد بمقتضى ذلك أنك قد قرأت إخلاء المسؤولية المشار إليها وكافة التعليمات، والإرشادات، والتحذيرات بعناية وأنك تفهم الشروط والأحكام وتوافق على الالتزام بها على النحو المنصوص عليه هنا. كما توافق على استخدام هذا المنتج فقط للغرض والاستعمال المقصود وفقاً للتعليمات، والإرشادات، والتحذيرات على النحو المنصوص عليه في دليل المنتج المشار إليه وكذلك وفقاً لجميع القوانين واللوائح المعمول بها. قد يؤدي عدم قراءة التعليمات والتحذيرات المنصوص عليها في هذه الوثيقة واتباعها إلى حدوث إصابة لك ولآخرين أو تلف منتجك أو تلف الممتلكات الأخرى الموجودة بالقرب منه. قد يخضع دليل المنتج المشار إليه، بما فيه من تعليمات وإرشادات وتحذيرات، والوثائق ذات الصلة للتغيير والتحديث. للحصول على أحدث معلومات عن المنتج، يُرجى زيارة documents.domestic.com domestic.com

- قبل تركيب خيمة السقف، تأكد من أن سيارتك وأن حامل السقف يوفران سعة تحميل كافية لخيمة السقف والأشخاص والأشياء التي من المقرر إدخالها إلى خيمة السقف.

### ملحوظة

- احتفظ دائماً بدليل تشغيل السيارة وخيمة السقف معك واتباع التعليمات الواردة فيه.

## السلامة عند استخدام السلم

**احتراس! إن عدم الالتزام بهذه التنبيهات يمكن أن يؤدي إلى حدوث إصابات بسيطة أو متوسطة.**

### خطر حدوث إصابات

- بعد التسليم وقيل الاستخدام، تحقق من عدم وجود تلف في السلم وأنه آمن للاستخدام. لا تستخدم سلم تالف.
- هناك خطر السقوط أثناء الصعود والنزول والاستخدام للسلم. يجب استخدام السلم بطريقة تجعل خطر السقوط منخفضاً قدر الإمكان.
  - امسك السلم بإحكام.
  - لا تميل إلى الجانب.
  - اصعد وانزل السلم ووجهك مقابل للسلم.
- لا تصعد السلم مع أكثر من شخص في وقت واحد.
- لا تضع السلم على أرض غير مستوية أو غير مستقرة أو متسخة.
- لا تحمل معدات ثقيلة أو يصعب التعامل معها أثناء السلم.
- لا ترتدي أحذية غير مناسبة عند صعود السلم.
- لا تستخدم سلماً متسخاً، على سبيل المثال بالطين والتلج.
- لا تستخدم السلم إذا كنت مقيداً جسدياً.
- قد تشكل بعض الظروف الصحية أو استخدام الأدوية أو تعاطي الكحول أو المخدرات خطراً على السلامة عند استخدام السلم.
- تأكد من أن آليات قفل جميع الأجزاء الممتدة مغلقة قبل نقل، استخدام وتخزين السلم.

- عند إعداد السلم واستخدامه، كن على دراية بمخاطر الاصطدامات، على سبيل المثال مع المشاة أو المركبات أو الأبواب. أغلق الأبواب (باستثناء مخارج الطوارئ) والنوافذ في منطقة الاستخدام، قدر الإمكان.
- لا تقم بتعديل السلم أو أي من مكوناته بأي شكل من الأشكال.

### تنبيه! خطر التلف

- يجب مراعاة الحمولة القصوى المحددة للسلم.

## السلامة عند نقل خيمة السقف على سطح السيارة

**تحذير! عدم الالتزام بهذه التحذيرات قد يسفر عنه الوفاة أو التعرض لإصابات خطيرة.**

### خطر حدوث إصابات

- في حال كانت خيمة السقف مركبة على سطح سيارتك يمكنك القيادة فقط إذا كانت خيمة السقف مطوية للأسفل ومغطاة بغطاء الخيمة بشكل صحيح.
- لا تقود بسرعة تزيد عن 110 كم/ساعة (88 ميل في الساعة) عندما تكون الخيمة موجودة على سطح مركبتك.
- عند بداية كل رحلة وعلى فترات منتظمة خلال الرحلة، عليك التحقق من أن خيمة السقف المركبة على السطح مثبتة بشكل محكم على حامل السقف وأن الغطاء مركب بشكل آمن. يمكن أن يسقط حامل السقف أو خيمة السقف إذا كانت غير مثبتة بشكل غير صحيح أثناء القيادة ما يؤدي إلى إصابة مستخدمي الطريق الآخرين.
- خزن السلم بشكل صحيح أعلى الخيمة السقف المطوية تحت غطاء الخيمة لمنع السلم من السقوط وإصابة مستخدمي الطريق الآخرين أثناء القيادة.
- اضبط سلوكك أثناء القيادة (على سبيل المثال، حساسية الرياح المستعرضة، الانعطاف والفرملة) وفقاً لارتفاع المركبة المتغير.

### تنبيه! خطر التلف

- خيمة السقف تزيد من ارتفاع السيارة. احذر المداخل المنخفضة أو الجسور المنخفضة أو الأغصان المنخفضة وغيرها من العوائق.
- قم بإزالة خيمة السقف وحامل السقف عند غسل السيارة في مغسلة السيارات الأتوماتيكية.

### ملحوظة

- قد تصدر ضوضاء من الهواء أثناء القيادة عند وجود خيمة السقف على سطح السيارة.

## شرح الرموز

### خطر!

إرشادات السلامة: تنشير إلى وجود وضع خطير إذا لم يتم تجنبه، سيؤدي إلى الوفاة أو حدوث إصابة خطيرة.

### تحذير!

إرشادات السلامة: تنشير إلى وجود وضع خطير إذا لم يتم تجنبه، يمكن أن يؤدي إلى الوفاة أو حدوث إصابة خطيرة.

### احتراس!

إرشادات السلامة: تنشير إلى وجود وضع خطير إذا لم يتم تجنبه، يمكن أن يؤدي إلى حدوث إصابات بسيطة أو متوسطة.

### تنبيه!

تنشير إلى وجود وضع إذا لم يتم تجنبه، يمكن أن يؤدي إلى حدوث تلف الممتلكات.

### ملحوظة

معلومات تكميلية لتشغيل المنتج.

## إرشادات السلامة العامة

**خطر! سيؤدي عدم الامتثال لهذه التعليمات إلى الوفاة أو إلى إصابات خطيرة.**

### خطر التسمم بأول أكسيد الكربون

- لا تستخدم أبداً أي جهاز يعمل بالوقود مثل الشواوية أو سخانات الغاز داخل الخيمة. ينتج عن عملية الحرق غاز أول أكسيد الكربون والذي سيزترآك داخل الخيمة لعدم وجود مدخنة.

**تحذير! عدم الالتزام بهذه التحذيرات قد يسفر عنه الوفاة أو التعرض لإصابات خطيرة.**

### خطر حريق

- تأكد من معرفة الترتيبات الاحترازية من الحرائق في الموقع.
- لا تليخ داخل الخيمة ولا تستخدم اللهب المكشوف.
- ابعدهم جميع مصادر اللهب والحرارة بعيداً عن قماش الخيمة.

### احذر الاختناق

- تأكد من أن فتحات التهوية مفتوحة طوال الوقت لتجنب الاختناق.

### خطر حدوث إصابات

- إن هذا الجهاز غير مخصص للاستخدام من قبل الأشخاص (بما في ذلك الأطفال) الذين يعانون من ضعف في القدرات الجسدية أو الحسية أو العقلية.
- لا تسمح للأطفال باللعب حول الخيمة أو في داخلها واحرص على توخي الحذر عند استخدام السلم.
- لا يُسمح للأطفال بالقيام بأعمال التنظيف والصيانة الخاصة بالمستخدم دون إشراف.
- تحقق دائماً من توقعات الطقس قبل إعداد واستخدام غيمة السقف.
  - لا تستخدم خيمة السقف إذا تم الإعلان عن عاصفة أو عاصفة رعدية في حال وقعت في عاصفة رعدية، اخرج على الفور من خيمة السقف وانتقل إلى مكان آمن في سيارتك. ابق في سيارتك حتى تنتهي العاصفة الرعدية حتى لا تتعرض لصعقة البرق.
  - لا تقم بإعداد أو استخدام أو طي خيمة السقف أو السلم إذا كان الجو عاصفاً جداً.
  - لا تقم بطي خيمة السقف للأسفل أثناء هطول الأمطار الغزيرة.
- لا تستخدم خيمة السقف في حالة وجود تلف في أي جزء أو أي من مكوناتها بشكل واضح. اتصل بالشركة المصنعة للحصول على المساعدة.
- استخدم فقط حوامل السقف المختبرة (مثلاً تم اختبارها من قبل GS) والمعتمدة للاستخدام في سيارتك.

## السلامة عند تشغيل المضخة الكهربائية Gale بقوة 12 فولت

تحذير! اعدم الالتزام بهذه التحذيرات قد يسفر عنه الوفاة أو التعرض لإصابات خطيرة.



### خطر التعرض إلى الصعق الكهربائي

- لا تقم بتشغيل المضخة الكهربائية إذا كانت تالفة بشكل واضح.
- في حالة تلف كابل الطاقة الخاص بالمضخة الكهربائية، فيجب استبداله عن طريق الشركة المصنعة أو وكيل الخدمة أو شخص مؤهل من أجل تجنب مخاطر السلامة.
- لا يجوز إصلاح هذه المضخة الكهربائية إلا بواسطة أشخاص مؤهلين. يمكن أن تؤدي الإصلاحات غير السليمة إلى حدوث مخاطر بالغة.
- لا تستخدم مضخة الهواء الكهربائية في أماكن رطبة أو غمرها في أي سائل. التخزين في مكان جاف.

احتراس! إن عدم الالتزام بهذه التنبيهات يمكن أن يؤدي إلى حدوث إصابات بسيطة أو متوسطة.



### خطر التعرض إلى الصعق الكهربائي

- قبل بدء تشغيل مضخة الهواء الكهربائية، تأكد من جفاف كابل الطاقة والقابس وأن القابس خالي من الصدأ أو أشياء غريبة.
- افصل مضخة الهواء الكهربائية عن مصدر الطاقة.
  - قبل كل تنظيف وصيانة
  - بعد كل استخدام

### خطر حدوث إصابات

- هذا الجهاز غير مخصص للاستخدام من قبل الأشخاص (بما فيهم الأطفال) ذوي القدرات الجسدية أو الحسية أو العقلية المنخفضة أو من لا يوجد لديهم خبرة ومعرفة كافية إلا إذا قام شخص مسؤول عن سلامتهم بالإشراف عليهم أو تقديم الإرشادات المتعلقة باستخدام الجهاز لهم.
- أبعد الأطفال والحيوانات الأليفة عن المضخة الكهربائية أثناء التشغيل.
- لا توجه تيار الهواء على الوجه أو الجسم بشكل مباشر.
- إلزم بضغط الهواء الموصى به.
- لا يُسمح للأطفال بالقيام بأعمال التنظيف والصيانة الخاصة بالمستخدم دون إشراف.

### تنبيه! خطر التلف



- يرجى التحقق من تطابق مواصفات الجهد الكهربائي الواردة بملصق الطراز مع نظيرتها الخاصة بمصدر الطاقة.
- وصل المضخة الكهربائية فقط بمصدر طاقة تيار مستمر في المركبة باستخدام كابل التيار المستمر.
- لا تضع الجهاز بالقرب من اللهب المكشوف أو مصادر الحرارة الأخرى (السخانات وأشعة الشمس المباشرة وأفران الغاز وما شابه ذلك).
- لا تترك الجهاز يعمل دون رقابة.
- تجنب مطلقاً فصل القابس من المقبس عن طريق شدة من كابل الطاقة.

## محتويات التسليم

المكونات	الكمية
خيمة السقف	1
سلم تلسكوبي	1
غطاء صندوق توزيع الهواء (PVC)	1
حقيبة الأدوات	1
قوس على شكل حرف U	4
مسمار M8 x 50	8
برغي M8 x 16	4
M8 حلقة إحكام 1 مم	8
حلقة إحكام مفكوكة M8	12
M8 حلقة إحكام 1.5 مم	4
صامولة منجحة M8	4
لوحة تقسيم ألومنيوم	12
صامولة عجلة بلاستيكية M8	8
سدادة طرفية بلاستيكية	4
مضخة كهربائية Gale بقوة 12 فولت	1

المكونات	الكمية
خرطوم الهواء	1
مهايئ للفوهة	6
جيب حقيبة التخزين	2
شبكة التخزين	1
خرطوم تدديد (1.4 م)	1

## الملحقات

متاح كملحق (غير مدرج في نطاق التسليم):

المكونات	الرقم المرجعي
TRT 140 AIR Awning Low	9120002119
TRT 140 AIR Awning Tall	9120002120
مضخة يدوية	9120000439

## الاستخدام المقصود

خيمة السقف هذه تناسب:

- التركيب على حامل سقف مناسب على سطح مركبة مناسبة
- طقس خفيف إلى معتدل
- جولة

لا تناسب خيمة السقف هذه:

- للاستخدام من قبل الأشخاص الذين يعانون من ضعف القدرات الجسدية أو الحسية أو العقلية
- عند وجود رياح شديدة أو تساقط ثلوج
- الأماكن الموسمية أو الاستخدام التجاري

تم تصميم السلم ليتم تثبيته بخيمة السقف. يجب استخدام السلم مع خيمة السقف فقط ولا يجوز استخدامه بشكل مستقل لأشياء أخرى.

السلم غير مخصص للاستخدام المهني.

هذا المنتج مناسب للغرض المقصود والاستخدام وفقاً للتعليمات هذه فقط.

يوفر دليل التشغيل هذا المعلومات الضرورية للتركيب و/أو التشغيل الصحيح للمنتج. سيؤدي سوء التركيب و/أو التشغيل الخاطئ والصيانة غير الصحيحة إلى أداء غير مرضي وعطل محتمل.

لا تتحمل الشركة المصنعة أي مسؤولية عن أي ضرر أو تلف بالمنتج ناتج عن:

- عملية التجميع أو التوصيل غير الصحيحة بما في ذلك الجهد الزائد
  - صيانة غير صحيحة أو استخدام قطع غيار غير أصلية وغير مقدمة من الشركة المصنعة
  - إجراء تعديلات على المنتج دون حصول على إذن صريح من الشركة المصنعة
  - الاستخدام في أغراض أخرى خلاف الأغراض الموضحة في هذا الدليل
- تحفظ شركة Dometic بالحق في تغيير شكل المنتج ومواصفاته.

## الوصف التقني

تم تجهيز خيمة السقف بأعمدة هوائية قابلة للنفخ ويمكن ملؤها باستخدام صمام أحادي.

يمكن تركيب السلم المتصل بخيمة السقف على ارتفاع المركبة.

تحتوي خيمة السقف على فرشاة إسفنجية عالية الكثافة.

لنقل على سطح السيارة، يمكن طي خيمة السقف للأسفل وتغطيتها بغطاء الخيمة المرفق.

يجب أن يفي حامل السقف الذي سيتم تركيب خيمة السقف عليه بالمتطلبات التالية:

- يجب أن يكون حامل السقف قادراً على حمل 165 رطلاً / 75 كغم على الأقل للسماح بالقيادة مع خيمة السقف المثبتة.
- يجب ألا يقل عرض حامل السقف عن 27 بوصة/68 سم.
- يجب أن تبلغ المسافة بين القضيبين بحامل السقف ما بين 28 بوصة/70 سم و 50 بوصة/125 سم.

## استخدام خيمة السقف



**تحذير! خطر حدوث إصابات**

- تأكد من أن خيمة السقف مثبتة على حامل السقف بإحكام قبل صعود السلم.
- تأكد من أن قفل كل خطوة من السلم قبل صعود السلم.
- تسلق السلم دائما بحذر.
- اغلق باب مدخل خيمة السقف قبل النوم لتجنب السقوط من خيمة السقف أثناء النوم.
- إذا استخدم شخصان خيمة السقف، فتأكد من عدم جلوسهما في الخلف أو الأمام أو على جانب واحد من الخيمة في نفس الوقت. فمن الممكن أن تسقط الخيمة إذا كان وزن شخصين على جانب واحد من الخيمة (شكل 33، صفحة 11).
- قبل القيادة مع الخيمة المثبتة على السطح، تأكد دائما من أن الغطاء مربوطاً بشكل صحيح. (شكل 44، صفحة 13).



**احتراس! خطر حدوث إصابات**

لا تفتح السحاب على الغلاف الوافي أبدا أثناء انقفاخ عمود الهواء. سيؤدي ذلك إلى انفجار عمود الهواء.



**تنبيه! تلف المواد**

- اترك النافذة الجانبية لخيمة السقف مفتوحة أثناء إعداد أو طي خيمة السقف.
- لا تفتح ولا تغلق السحابات بالقوة.



**ملحوظة**

استخدم أماكن التخزين المدمجة أثناء عملية استخدام الخيمة حتى لا يسقط أي شيء أو يُنسى في الخيمة عند طيها (شكل 31، صفحة 10).

## قبل الاستخدام الأول

تعرف على المنتج عن طريق إجراء اختبار تم إعداده قبل استخدام المنتج لأول مرة. تحقق من أن حجم التسليم كاملا.

## تعريض منتجك للعوامل الجوية قبل استخدامه لأول مرة

تم تصنيع المنتج من مواد تتطلب التحضير قبل الاستخدام من أجل تحسين مقاومة العوامل الجوية للمنتج.

1. ضع المنتج بالكامل في الهواء الطلق عند توقع هطول أمطار أو في مكان يمكن رش الجزء الخارجي من المنتج ليصبح رطباً تماماً.
2. اترك المنتج يجف تماماً قبل تغليفه.

سيضمن اتباع هذا الإجراء قبل الاستخدام الأول مقاومة المنتج للعوامل الجوية وسيتحسن مع كل غسلة لاحقة.

## تركيب خيمة السقف



**احتراس! خطر حدوث إصابات**

- ارفع خيمة السقف على سطح مركبتك مع شخص آخر فقط.
- تأكد من عدم وجود أشخاص آخرين وخاصة الأطفال بالقرب من المركبة عندما تقوم أنت ومساعدك برفع الخيمة على سطح المركبة.



**ملحوظة**

تم وضع علامة على جانب خيمة السقف في المكان الذي يجب فيه تركيب السلم. تأكد من توجيه خيمة السقف بحيث لا يسد السلم الممتد باب سائق السيارة (شكل 4، صفحة 3).

▶ لتركيبة خيمة السقف، اتبع كما هو موضح (شكل 2، صفحة 3 – شكل 15، صفحة 6).

## نصب خيمة السقف



**احتراس! خطر الإصابة وتلف المواد**

- لا تستخدم أي نوع من الضواغط المصممة لنفخ إطارات السيارة.
- انفخ أعمدة الهواء كحد أقصى بضغط 9 بوصة/0.62 بار.
- لا تضع أصابعك في منطقة الدرجات عند إعداد السلم أو تعديله.

▶ لإنشاء خيمة السقف، اتبع كما هو موضح (شكل 16، صفحة 6 – شكل 36، صفحة 11).

## طي خيمة السقف للأسفل



**احتراس! خطر الانسحاق**

لا تضع أصابعك في منطقة الدرجات عند دفع السلم على بعضه البعض.



**ملحوظة**

تفتح المزلج الزرقاء الموجودة أسفل السلم جميع الأجزاء دفعة واحدة، مما يسمح بدفع السلم على بعضه البعض (شكل 41، صفحة 13).

▶ لطي خيمة السقف إلى أسفل، اتبع كما هو موضح (شكل 37، صفحة 12 – شكل 44، صفحة 13).

## استخدام المضخة الكهربائية gale بقوة 12 فولت

تم تجهيز المضخة الكهربائية gale بقوة 12 فولت بنظام حث الضغط وهي تتوقف تلقائياً بمجرد الوصول إلى الضغط المحدد مسبقاً. يعمل نظام حث الضغط بهامش خطأ  $\pm 0.5$  رطل لكل بوصة.



**تنبيه! خطر ارتفاع درجة الحرارة**

- تأكد من أن المضخة الكهربائية لديها تهوية جيدة أثناء التشغيل.
- لا تشغل المضخة الكهربائية بشكل مستمر لمدة تزيد عن 15 دقيقة، لأن المحرك قد يسخن.
- اترك المضخة الكهربائية تبرد لمدة 30 دقيقة بعد 15 دقيقة من الاستخدام المتواصل.



**ملحوظة**

- إذا لم يتم الضغط على أي زر لمدة 30 ثانية، سوف تنتقل شاشة LCD إلى وضع الاستعداد. اضغط على أي زر لإعادة التنشيط.
- في البداية سوف يستغرق الأمر بعض الوقت حتى يزداد مؤشر الضغط على شاشة LCD. هذا أمر طبيعي، لأن كمية كبيرة من الهواء مطلوبة في البداية لملء إطار الهواء قبل اكتشاف تغيير كبير في الضغط.

## استخدام السلم



**احتراس! خطر حدوث إصابات**

تأكد من أن آلية القفل لجميع الأجزاء مغلقة قبل استخدام السلم.



**تنبيه! خطر التلف**

تأكد من عدم تجاوز الحد الأقصى للحمولة الإجمالية للسلم. الحمولة الإجمالية القصوى 130 كجم/ 287 رطل.

## إعداد السلم



**احتراس! خطر حدوث إصابات**

عليك الالتزام بزاوية الإعداد الموصى به البالغة  $65^\circ - 75^\circ$  (شكل 22، صفحة 8).

يمكن تحريك المزلج آلية القفل إلى موضعين لغلق القفل أو إلغاء قفل الأجزاء (شكل 21، صفحة 8):

▶ حرك المزلج على جانبي السلم لقفل الجزء (شكل 21 A، صفحة 8).

▶ حرك المزلج على جانبي السلم لفتح الجزء (شكل 21 B، صفحة 8).

## تخزين خيمة السقف والسلم



## احتراست! خطر حدوث إصابات

- يمكن أن يظل السلم مثبتاً على خيمة السقف للتخزين. تأكد من أن السلم تم طيه مع بعضه البعض تماماً وتم تأمين أليات القفل لجميع أجزاء السلم.
- عند فك السلم من خيمة السقف للتخزين، تأكد من تخزين السلم في وضع يبقى فيه مستقيماً (على سبيل المثال على سطح مستو).



## تنبيه! خطر التلف

المزلاج وأغطية أقدام السلم مصنوعة من البلاستيك. قم بتخزين السلم في مكان محمي من الأشعة فوق البنفسجية.

1. قم بفك خيمة السقف من حامل السقف.
2. إذا لزم الأمر، قم بتنظيف خيمة السقف والسلم.
3. تأكد من جفاف خيمة السقف والسلم تماماً قبل التعبئة.
4. قم بتخزينها في مكان جاف جيد التهوية.

## تخزين المضخة الكهربائية gale بقوة 12 فولت

1. قم بتنظيف المضخة الكهربائية gale بقوة 12 فولت، إذا لزم الأمر.
2. أدخل القابس في الفتحة المتوفرة.
3. تأكد من أن كابل الإمداد وخرطوم الهواء غير محصورين أو ملتوين قبل التعبئة.
4. قم بتخزينها في مكان جاف جيد التهوية.

## التنظيف والصيانة



## تحذير! خطر حدوث إصابات

قم بتنظيف خيمة السقف وصيانتها على الأرض. لا تصعد أبداً على السيارة لتنظيف خيمة السقف عندما تكون خيمة السقف مثبتة على السقف.



## تنبيه! خطر التلف

- لا تستخدم أي أشياء حادة أو صلبة أو مواد للتنظيف.
- لا تستخدم المواد الكحولية أو الكيماويات أو الصابون أو المنظفات للتنظيف.
- قم بإزالة روث الطيور وصبغ الأشجار في أسرع وقت ممكن لتجنب تلف المواد.
- لا تحاول وضع أي شيء في منفذ النفخ للمضخة الكهربائية gale بقوة 12 فولت، لأن ذلك سيؤدي إلى إتلاف آلية المضخة الداخلية.
- يجب إصلاح السلم من قبل شخص متخصص فقط.



## ملحوظة

- قم بإنشاء خيمة السقف والسلم بالكامل لعملية التنظيف.
- اختر يوماً مشمساً للتنظيف لضمان جفاف المواد تماماً.

- إذا لزم الأمر، قم بتنظيف خيمة السقف بمياه نظيفة وفرشاة ناعمة.
- قبل كل رحلة، ضع مادة عازلة ضد الماء والأشعة فوق البنفسجية على خيمة السقف.
- من حين لآخر، نظّف مضخة الهواء بقطعة قماش مبللة.

## فحص السلم



## احتراست! خطر حدوث إصابات

لا تستخدم السلم إذا تعذر إجراء أحد الاختبارات المذكورة أدناه بالكامل.

بعد التسليم وقبل كل استخدام، يجب إجراء الفحوصات التالية:

- تأكد من أن السلم أو أجزاء السلم ليست مثنية أو منبعجة أو متآكلة بشكل مفرط أو تالفة.
- تأكد من أن أجزاء التنبيت والمزليج وأغطية أقدام السلم غير مفقودة أو مفكوكة.
- تأكد من تشويق المزليج بشكل صحيح.
- تأكد من خلو السلم بالكامل من الملوثات (مثل الطين أو الثلج).

## ملحوظة



- عند التعرض للماء لأول مرة، من الممكن حدوث رطوبة في نطاق الدرزات. وقد تؤدي هذه الرطوبة إلى انتفاخ الخيوط وملء الثقوب التي تم إنشاؤها أثناء عملية الخياطة.
- يجب أن تتضمن مجموعة قطع الغيار المجهزة بالكامل الأشياء الإضافية التالية:
  - ضد الماء
  - شريط إلحاح ومحلول الإصلاح
  - رذاذ السليكون للسحابات

## المشكلة

## الحل

لا تنتفخ خيمة السقف  
إلا بصعوبة

➤ تأكد من أن الصمام مشدود تماماً في عمود الهواء.  
➤ تحقق ما إذا كان أنبوب النفخ ملتويًا في الصمام، والذي يمكن ملاحظته عند صدور ضوضاء. قم بفك أنبوب النفخ.  
➤ تأكد من أن المضخة الكهربائية تعمل.

جزء من خيمة السقف  
لا ينطوي

➤ تأكد من أن جميع صمامات العزل التي تربط أعمدة الهواء مفتوحة.

أعمدة الهواء ملتوية

➤ أضف المزيد من الهواء (9 رطل/0.62 بار).

تسرب الهواء

➤ تأكد من أن الصمام مشدود بإحكام في عمود الهواء وأن الختم الدائري في مكانه.  
➤ تأكد من أن غطاء الصمام موضوع بإحكام.  
➤ تحقق من وجود ثقوب، انظر فصل «إصلاح ثقوب في عمود الهواء»  
صفحة 105

تسرب الماء

➤ تحقق من تسربات في الدرزات، الأشرطة التالفة والمناطق الرطبة.  
➤ إذا لم تستطع العثور على أي تسربات، انظر فصل «التكثفات»  
صفحة 105.

➤ إذا عثرت على تسربات فقم باستخدام مانع التسرب.

## مزق في القماش

- استخدم شريط الإصلاح للصق القماش.
- يجب إجراء الإصلاحات من قبل متخصص معتمد.

## التكثفات

تعاني جميع الخيام من تكاثف داخلي في حالة وجود شرط واحد أو أكثر من الشروط التالية:

- رطوبة هواء عالية
- انخفاض في درجة الحرارة

يمكن أن يسري التكاثف الشديد إلى الجزء الداخلي للسقف وينتشر من الأشرطة والأشرطة والوصلات الداخلية الأخرى كما يمكن أن يحدث الاشتباه بالتسربات الخاطئة.

➤ قم بزيادة التهوية عن طريق فتح الأبواب و/أو النوافذ.

## إصلاح ثقوب في عمود الهواء

إذا فقد عمود الهواء هواءً، فاتبع ما يلي:

1. افتح الغلاف الخارجي الذي يحمل عمود الهواء.
2. إذا كان مركباً، قم بإغلاق صمامات العزل.
3. قم بإزالة العمود الهوائي.
4. قم بإفراغ العمود الهوائي.
5. قم بفك الغطاء الواقي لكشف الخرطوم القابل للنفخ.
6. انفخ بعض الهواء في الخرطوم القابل للنفخ.
7. اغمر الخرطوم بالماء.
8. حدد موقع الثقب.
9. استخدم شريط الإصلاح ومحلول الإصلاح لإغلاق الثقب.
10. أعد الخرطوم القابل للنفخ إلى الغلاف الواقي.
11. أعد عمود الهواء إلى الغلاف الخارجي.

➤ عليك أيضاً مراعاة المعلومات الواردة في شكل 45، صفحة 14 – شكل 46، صفحة 14.

<b>TRT140 AIR</b>	
عمق فرشاة الإسفنج	1.3 بوصة/3.2 سم
عمق طبقة مقاومة التكثيف	0.2 بوصة/0.5 سم
مساحة داخلية صالحة للاستعمال (عرض X ارتفاع X عمق)	بوصة 55 x 43 x 83 سم 140 x 110 x 210
أبعاد الخيمة الخارجية (عرض X ارتفاع X عمق)	بوصة 57 x 47 x 86 سم 145 x 120 x 219
أبعاد تعبئة الخيمة (عرض X ارتفاع X عمق)	بوصة 59 x 13 x 32 سم 149 x 33 x 82
أبعاد العبوة للسلم والملحقات (عرض X ارتفاع X عمق)	بوصة 31 x 5 x 20 سم 79 x 12 x 49.5
الوزن (بالإضافة إلى السلم)	127.1 رطل/57.65 كجم

<b>مضخة Gale بقوة 12 فولت</b>	
الجهد الكهربائي	12 فولت
معدل التسليم	26 جالون/100 لتر/دقيقة ± 10%
وقت التشغيل	15 دقيقة كحد أقصى
انبعاث الضوضاء	32 ديسيبل
الأبعاد (عرض X ارتفاع X عمق)	بوصة 11 x 3.5 x 7.9 سم 280 x 90 x 200
الوزن	3.9 رطل/1.79 كجم

- ضع مواد التغليف في الصناديق المناسبة الخاصة بالنفايات القابلة لإعادة التدوير قدر الإمكان.
- استشر مركز محلي لإعادة التدوير أو تاجر متخصص للحصول على تفاصيل حول كيفية التخلص من المنتج وفقاً للوائح التخلص المطبقة.
- يمكن التخلص من المنتج مجاناً.

## الضمان

يتم تطبيق فترة الضمان القانونية. إذا كان المنتج معيباً، يرجى الاتصال ببائع التجزئة أو فرع الشركة المصنعة في بلدك (انظر [dometic.com/dealer](http://dometic.com/dealer)).

لتنفيذ إجراءات الإصلاح والضمان، يجب إرفاق المستندات التالية مع المنتج:

- نسخة من الفاتورة مع تاريخ الشراء
- سبب الشكوى أو وصف للعتل

عليك الحذر من أن الإصلاح الذاتي أو غير الاحترافي قد يؤدي إلى عواقب تتعلق بالسلامة وإلغاء الضمان.

يغطي الضمان عيوب التصنيع والمواد والقطع. لا يغطي الضمان بهتان الغطاء والبلى والتشققات الناتجة عن الأشعة فوق البنفسجية أو سوء الاستخدام أو التلف جر الحوادث والعواصف أو الاستخدام الدائم أو شبه الدائم أو التجاري. لا يغطي أي ضرر ناتج عن ذلك. يرجى الاتصال من أجل التعويضات بالموزع الذي تتعامل معه. هذا لا يؤثر على حقوقك القانونية.



---

**dometic.com**

---

**YOUR LOCAL  
DEALER**

**[dometic.com/dealer](https://dometic.com/dealer)**

**YOUR LOCAL  
SUPPORT**

**[dometic.com/contact](https://dometic.com/contact)**

**YOUR LOCAL  
SALES OFFICE**

**[dometic.com/sales-offices](https://dometic.com/sales-offices)**